

## SPECIAL SERVICE TOOLS

OMC has specially-designed tools to simplify some of the disassembly and reassembly operations. These tools are illustrated in this Service Manual, in many cases in actual use. Refer to the Special Service Tool Catalog for a description and ordering instructions for these tools. Purchasers of individual manuals must order Special Tools through an authorized dealer.

## OUTBOARD MOTOR NOMENCLATURE

Sometimes the words "right" and "left" are very confusing when referring to the sides of an outboard motor. Therefore, the sides are referred to as STARBOARD or PORT sides. STARBOARD means on the right hand while facing the bow (FRONT) of the boat; PORT means left hand. See Figures 1-1 and 1-2.

Service required for the motor is generally one of three kinds . . .

1. **NORMAL CARE AND MAINTENANCE**, which includes putting a new motor into operation, storing motors, lubrication, and care under special operating conditions such as salt water and cold weather.
2. **OPERATING MALFUNCTIONS** due to improper motor mounting, propeller condition or size, boat condition, or the malfunction of some part of the motor. This includes motor tune-up procedures to keep the motor in prime operating condition.
3. **COMPLETE DISASSEMBLY** and overhaul, such as inspecting a motor that has been submerged or rebuilding trade-in units.

It is important to you as the service man to determine before disassembly just what the trouble is, and how to correct it quickly and with minimum expense to the owner. This section of the manual is designed to help you diagnose motor malfunctions and correct them.

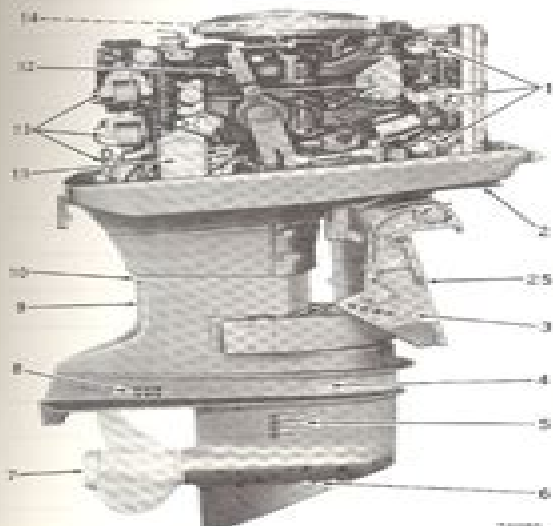


Figure 1-1. Starboard View  
(Standard Length)

1. Carburetors
2. Steering arm
3. Tilt adjustment rod
4. Oil level plug
5. Water intake
6. Oil drain and fill plug
7. Exhaust outlet
8. Water outlet
9. Exhaust housing
10. Exhaust relief
11. Power Pack III
12. Throttle lever
13. Ignition coils
14. Alternator
15. Lift ring
16. Fuel pump and filter
17. Exhaust covers
18. Tilt lock lever
19. Water outlet
20. Trim tab
21. Propeller
22. Skeg
23. Gearcase
24. Water intake
25. Stern bracket
26. Air silencer
27. Electric starter
28. Tilt tube (ong shaft only)

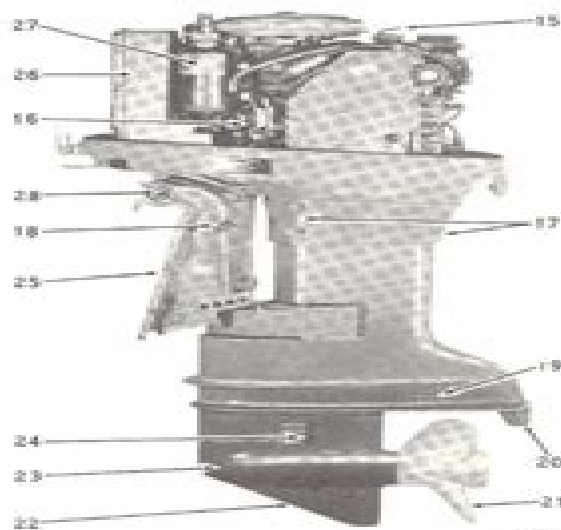


Figure 1-2. Port Side View  
(Long Shaft Model)

# 1975 Johnson Outboard Motor Manual

**SB Merriam**



**1975 Johnson Outboard Motor Manual:**

Catalog of Copyright Entries, Third Series Library of Congress. Copyright Office,1977     *Books and Pamphlets, Including Serials and Contributions to Periodicals* Library of Congress. Copyright Office,1977     **The Rudder** Thomas Fleming Day,1976     Catalog of Copyright Entries, Third Series Library of Congress. Copyright Office,1976     **Atlantic Fisherman** ,1981-05     **National Union Catalog** ,1982     **Field & Stream** ,1975-12 FIELD STREAM America s largest outdoor sports magazine celebrates the outdoor experience with great stories compelling photography and sound advice while honoring the traditions hunters and fishermen have passed down for generations     *Outboard Motor Service Manual: Motors below 30 hp* ,1979     The Rudder ,1976     **Catalogue of Title-entries of Books and Other Articles Entered in the Office of the Librarian of Congress, at Washington, Under the Copyright Law ... Wherein the Copyright Has Been Completed by the Deposit of Two Copies in the Office** Library of Congress. Copyright Office,1977

## Decoding **1975 Johnson Outboard Motor Manual**: Revealing the Captivating Potential of Verbal Expression

In a period characterized by interconnectedness and an insatiable thirst for knowledge, the captivating potential of verbal expression has emerged as a formidable force. Its capability to evoke sentiments, stimulate introspection, and incite profound transformations is genuinely awe-inspiring. Within the pages of "**1975 Johnson Outboard Motor Manual**," a mesmerizing literary creation penned by way of a celebrated wordsmith, readers attempt an enlightening odyssey, unraveling the intricate significance of language and its enduring impact on our lives. In this appraisal, we shall explore the book's central themes, evaluate its distinctive writing style, and gauge its pervasive influence on the hearts and minds of its readership.

<https://legacy.tortoisemedia.com/book/detail/Documents/3%20Crown%20Victoria%20Police%20Interceptor%20Wiring%20Diagram.pdf>

### **Table of Contents 1975 Johnson Outboard Motor Manual**

1. Understanding the eBook 1975 Johnson Outboard Motor Manual
  - The Rise of Digital Reading 1975 Johnson Outboard Motor Manual
  - Advantages of eBooks Over Traditional Books
2. Identifying 1975 Johnson Outboard Motor Manual
  - Exploring Different Genres
  - Considering Fiction vs. Non-Fiction
  - Determining Your Reading Goals
3. Choosing the Right eBook Platform
  - Popular eBook Platforms
  - Features to Look for in an 1975 Johnson Outboard Motor Manual
  - User-Friendly Interface
4. Exploring eBook Recommendations from 1975 Johnson Outboard Motor Manual
  - Personalized Recommendations
  - 1975 Johnson Outboard Motor Manual User Reviews and Ratings

- 1975 Johnson Outboard Motor Manual and Bestseller Lists
- 5. Accessing 1975 Johnson Outboard Motor Manual Free and Paid eBooks
  - 1975 Johnson Outboard Motor Manual Public Domain eBooks
  - 1975 Johnson Outboard Motor Manual eBook Subscription Services
  - 1975 Johnson Outboard Motor Manual Budget-Friendly Options
- 6. Navigating 1975 Johnson Outboard Motor Manual eBook Formats
  - ePub, PDF, MOBI, and More
  - 1975 Johnson Outboard Motor Manual Compatibility with Devices
  - 1975 Johnson Outboard Motor Manual Enhanced eBook Features
- 7. Enhancing Your Reading Experience
  - Adjustable Fonts and Text Sizes of 1975 Johnson Outboard Motor Manual
  - Highlighting and Note-Taking 1975 Johnson Outboard Motor Manual
  - Interactive Elements 1975 Johnson Outboard Motor Manual
- 8. Staying Engaged with 1975 Johnson Outboard Motor Manual
  - Joining Online Reading Communities
  - Participating in Virtual Book Clubs
  - Following Authors and Publishers 1975 Johnson Outboard Motor Manual
- 9. Balancing eBooks and Physical Books 1975 Johnson Outboard Motor Manual
  - Benefits of a Digital Library
  - Creating a Diverse Reading Collection 1975 Johnson Outboard Motor Manual
- 10. Overcoming Reading Challenges
  - Dealing with Digital Eye Strain
  - Minimizing Distractions
  - Managing Screen Time
- 11. Cultivating a Reading Routine 1975 Johnson Outboard Motor Manual
  - Setting Reading Goals 1975 Johnson Outboard Motor Manual
  - Carving Out Dedicated Reading Time
- 12. Sourcing Reliable Information of 1975 Johnson Outboard Motor Manual
  - Fact-Checking eBook Content of 1975 Johnson Outboard Motor Manual
  - Distinguishing Credible Sources

13. Promoting Lifelong Learning
  - Utilizing eBooks for Skill Development
  - Exploring Educational eBooks
14. Embracing eBook Trends
  - Integration of Multimedia Elements
  - Interactive and Gamified eBooks

### **1975 Johnson Outboard Motor Manual Introduction**

In this digital age, the convenience of accessing information at our fingertips has become a necessity. Whether its research papers, eBooks, or user manuals, PDF files have become the preferred format for sharing and reading documents. However, the cost associated with purchasing PDF files can sometimes be a barrier for many individuals and organizations. Thankfully, there are numerous websites and platforms that allow users to download free PDF files legally. In this article, we will explore some of the best platforms to download free PDFs. One of the most popular platforms to download free PDF files is Project Gutenberg. This online library offers over 60,000 free eBooks that are in the public domain. From classic literature to historical documents, Project Gutenberg provides a wide range of PDF files that can be downloaded and enjoyed on various devices. The website is user-friendly and allows users to search for specific titles or browse through different categories. Another reliable platform for downloading 1975 Johnson Outboard Motor Manual free PDF files is Open Library. With its vast collection of over 1 million eBooks, Open Library has something for every reader. The website offers a seamless experience by providing options to borrow or download PDF files. Users simply need to create a free account to access this treasure trove of knowledge. Open Library also allows users to contribute by uploading and sharing their own PDF files, making it a collaborative platform for book enthusiasts. For those interested in academic resources, there are websites dedicated to providing free PDFs of research papers and scientific articles. One such website is Academia.edu, which allows researchers and scholars to share their work with a global audience. Users can download PDF files of research papers, theses, and dissertations covering a wide range of subjects. Academia.edu also provides a platform for discussions and networking within the academic community. When it comes to downloading 1975 Johnson Outboard Motor Manual free PDF files of magazines, brochures, and catalogs, Issuu is a popular choice. This digital publishing platform hosts a vast collection of publications from around the world. Users can search for specific titles or explore various categories and genres. Issuu offers a seamless reading experience with its user-friendly interface and allows users to download PDF files for offline reading. Apart from dedicated platforms, search engines also play a crucial role in finding free PDF files. Google, for instance, has an advanced search feature that allows users to filter results by file type. By specifying the file type as "PDF," users can find websites that

offer free PDF downloads on a specific topic. While downloading 1975 Johnson Outboard Motor Manual free PDF files is convenient, its important to note that copyright laws must be respected. Always ensure that the PDF files you download are legally available for free. Many authors and publishers voluntarily provide free PDF versions of their work, but its essential to be cautious and verify the authenticity of the source before downloading 1975 Johnson Outboard Motor Manual. In conclusion, the internet offers numerous platforms and websites that allow users to download free PDF files legally. Whether its classic literature, research papers, or magazines, there is something for everyone. The platforms mentioned in this article, such as Project Gutenberg, Open Library, Academia.edu, and Issuu, provide access to a vast collection of PDF files. However, users should always be cautious and verify the legality of the source before downloading 1975 Johnson Outboard Motor Manual any PDF files. With these platforms, the world of PDF downloads is just a click away.

### **FAQs About 1975 Johnson Outboard Motor Manual Books**

How do I know which eBook platform is the best for me? Finding the best eBook platform depends on your reading preferences and device compatibility. Research different platforms, read user reviews, and explore their features before making a choice. Are free eBooks of good quality? Yes, many reputable platforms offer high-quality free eBooks, including classics and public domain works. However, make sure to verify the source to ensure the eBook credibility. Can I read eBooks without an eReader? Absolutely! Most eBook platforms offer webbased readers or mobile apps that allow you to read eBooks on your computer, tablet, or smartphone. How do I avoid digital eye strain while reading eBooks? To prevent digital eye strain, take regular breaks, adjust the font size and background color, and ensure proper lighting while reading eBooks. What the advantage of interactive eBooks? Interactive eBooks incorporate multimedia elements, quizzes, and activities, enhancing the reader engagement and providing a more immersive learning experience. 1975 Johnson Outboard Motor Manual is one of the best book in our library for free trial. We provide copy of 1975 Johnson Outboard Motor Manual in digital format, so the resources that you find are reliable. There are also many Ebooks of related with 1975 Johnson Outboard Motor Manual. Where to download 1975 Johnson Outboard Motor Manual online for free? Are you looking for 1975 Johnson Outboard Motor Manual PDF? This is definitely going to save you time and cash in something you should think about. If you trying to find then search around for online. Without a doubt there are numerous these available and many of them have the freedom. However without doubt you receive whatever you purchase. An alternate way to get ideas is always to check another 1975 Johnson Outboard Motor Manual. This method for see exactly what may be included and adopt these ideas to your book. This site will almost certainly help you save time and effort, money and stress. If you are looking for free books then you really should consider finding to assist you try this. Several of 1975 Johnson Outboard Motor Manual are for sale to

free while some are payable. If you arent sure if the books you would like to download works with for usage along with your computer, it is possible to download free trials. The free guides make it easy for someone to free access online library for download books to your device. You can get free download on free trial for lots of books categories. Our library is the biggest of these that have literally hundreds of thousands of different products categories represented. You will also see that there are specific sites catered to different product types or categories, brands or niches related with 1975 Johnson Outboard Motor Manual. So depending on what exactly you are searching, you will be able to choose e books to suit your own need. Need to access completely for Campbell Biology Seventh Edition book? Access Ebook without any digging. And by having access to our ebook online or by storing it on your computer, you have convenient answers with 1975 Johnson Outboard Motor Manual To get started finding 1975 Johnson Outboard Motor Manual, you are right to find our website which has a comprehensive collection of books online. Our library is the biggest of these that have literally hundreds of thousands of different products represented. You will also see that there are specific sites catered to different categories or niches related with 1975 Johnson Outboard Motor Manual So depending on what exactly you are searching, you will be able to choose ebook to suit your own need. Thank you for reading 1975 Johnson Outboard Motor Manual. Maybe you have knowledge that, people have search numerous times for their favorite readings like this 1975 Johnson Outboard Motor Manual, but end up in harmful downloads. Rather than reading a good book with a cup of coffee in the afternoon, instead they juggled with some harmful bugs inside their laptop. 1975 Johnson Outboard Motor Manual is available in our book collection an online access to it is set as public so you can download it instantly. Our digital library spans in multiple locations, allowing you to get the most less latency time to download any of our books like this one. Merely said, 1975 Johnson Outboard Motor Manual is universally compatible with any devices to read.

### **Find 1975 Johnson Outboard Motor Manual :**

[2003 crown victoria police interceptor wiring diagram](#)

[2002 suzuki marauder vz800 manual](#)

[2003 bombardier sea doo repair manual](#)

**2003 daihatsu charade handbook**

[2002 subaru impreza wrx manual](#)

*2003 chev cavalier repair manuel*

*2002 seadoo gtx rfi manual*

**2002 vw golf service manual**

**2002 mustang repair manual**



*2002 tundra repair manual*

**2002 toyota sequoia parts user manual diagram**

*2002 volvo v70xc repair manual*

*2002 polaris scrambler 90 service manual*

**2003 acura tl oil drain plug gasket manual**

2003 acura tl headlight manual

### **1975 Johnson Outboard Motor Manual :**

Bikini Body Guide: Exercise & Training Plan Kayla Itsines Healthy Bikini Body Guide are for general health improvement recommendations only and are not intended to be a substitute for professional medical. FREE 8 week bikini body guide by Kayla Itsines Dec 24, 2017 — FREE 8 week bikini body guide by Kayla Itsines This 8 week plan cost me £50 so make the most of this while it lasts!! Free High Intensity with Kayla (formerly BBG) Workout Dec 20, 2017 — Try a FREE High Intensity with Kayla workout! Work up a sweat & challenge yourself with this circuit workout inspired by my program. Kayla Itsines' 28-day Home Workout Plan - No Kit Needed Jun 2, 2020 — Kayla Itsines workout: This 28-day plan is for all fitness levels, to help you tone-up and get fit without the gym. Kayla Itsines' Bikini Body Guide Review Oct 11, 2018 — This is the workout program by Instagram sensation Kayla Itsines. These circuit-style workouts promise to get you in shape in just 28 minutes a ... (PDF) KaylaItsines BBTG | Ehi Ediale The Bikini Body Training Company Pty Ltd. "Kayla Itsines Healthy Bikini Body Guide" is not Therefore no part of this book may in any form written to promote ... You can now do Kayla Itsines' Bikini Body Guide fitness ... Mar 31, 2020 — Fitness icon Kayla Itsines is offering her Bikini Body Guide fitness program free · New members have until April 7th to sign up to Sweat app to ... Cellar of Horror: The Story of Gary Heidnik by Englade, Ken The book takes you through much of his life before the crimes and continues through his conviction. It also includes botched opportunities to discover his ... Cellar of Horror Four young women had been held captive--some for four months--half-naked and chained. They had been tortured, starved, and repeatedly raped. But more grotesque ... Cellar of Horror: The Story of Gary Heidnik "Cellar of Horror" tells a story of 5 women who were tortured and humiliated both aggressively and sexually, because of a sadistic man who wanted to run a "baby ... Cellar of Horror: The Story of Gary Heidnik by Ken Englade "Cellar of Horror" tells the story of Philly psychopath Gary Heidnik. He kidnapped, raped, beat, killed, cooked and force fed women chained in his basement. The ... Cellar of Horror: The Story of Gary Heidnik (Paperback) Ken Englade (1938-2016) was an investigative reporter and bestselling author whose books include Beyond Reason, To Hatred Turned, Cellar of Horror, A Family ... Cellar of Horror: The Story of Gary Heidnik Revised edition ... The book takes you through much of his life before the crimes and continues through his conviction. It also includes botched opportunities to discover his ... Cellar of Horror: The Story of Gary

Heidnik (Paperback) Cellar of Horror: The Story of Gary Heidnik (Paperback). By Ken Englade. \$21.99. Ships to Our Store in 1-5 Days (This book ... Cellar of Horror: The Story of Gary Heidnik - Softcover Serial killer Gary Heidnik's name will live on in infamy, and his home, 3520 North Marshall Street in Philadelphia, is a house tainted with the memory of ... Cellar of Horror by Ken Englade - Audiobook Listen to the Cellar of Horror audiobook by Ken Englade, narrated by Eric Jason Martin. Serial killer Gary Heidnik's name will live on in infamy, ... Haematology - Multiple Choice Multiple Choice. Select a section below to answer the MCQs: Part 1: Basic physiology and practice (14 questions); Part 2: Red cell disorders (20 questions) ... Hematology Quiz Questions And Answers! Sep 11, 2023 — Hematology Quiz Questions And Answers! · 1. In high altitudes, the hemoglobin value is: · 2. The hemoglobin types found in a normal adult are:. Haematology questions mcq - Hematology MCQs ans WK ... 1. Which of the following is not associated with thrombotic thrombocytopenic · 2. A patient who is suspected of having acute viral hemorrhagic fever reveals · 3. Haematology Mcqs For Diploma: Choose The Correct ... HAEMATOLOGY. MCQS FOR DIPLOMA. CHOOSE THE CORRECT ANSWER FROM A - E. 1 Which of these may be a cause of precipitate on a Leishman stained smear? Hematology Multiple Choice Questions and Answers Free download in PDF Hematology Multiple Choice Questions and Answers for competitive exams. These short objective type questions with answers are very ... 9. Hematology Questions and Answers - Oxford Academic Chapter 9 presents multiple-choice, board review questions on hematology including anemia, myeloid malignancies, coagulation disorders, and lymphoid ... Hematology MCQs Flashcards Study with Quizlet and memorize flashcards containing terms like Myelodysplastic syndrome is characterized by all the signs, except: a. Hematology: A COLLECTION OF 300 MCQS AND EMQS ... This book provides 300 hematology MCQs divided into three practice papers. Correct answers follow, accompanied by short referenced notes drawing from recent ... Hematology multiple choice questions and answers 100 TOP HEMATOLOGY Multiple Choice Questions and Answers pdf 2018<http://allmedicalquestionsanswers.com/hematology-multiple-choice-ques>. Multiple Choice Questions in Haematology Multiple Choice Questions in Haematology: With Answers and Explanatory Comments (Multiple Choice Questions Series) [Pegrum, G., Mitchell, T.] on Amazon.com.