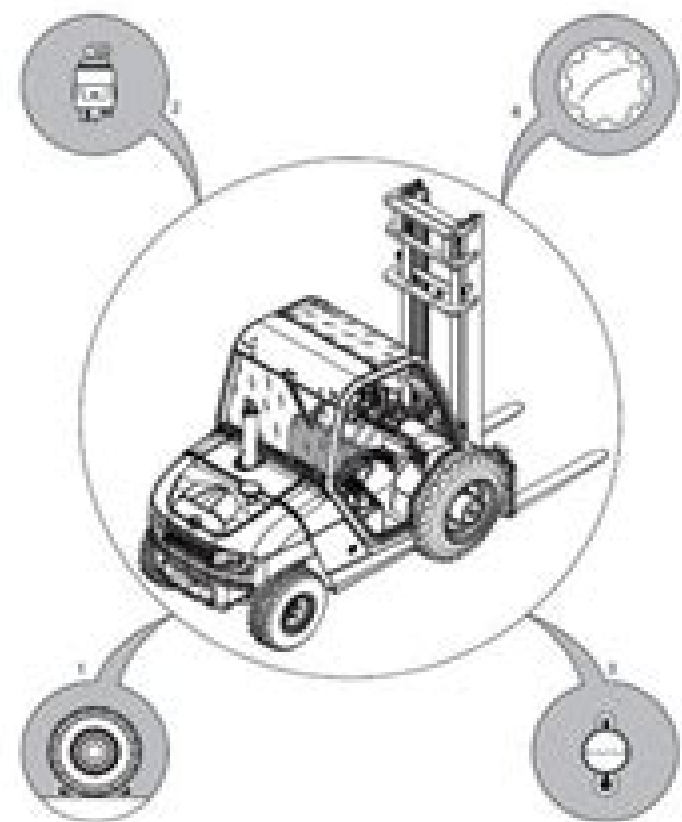


Page Thumbnails



### SERVICING POSITION



#### Before any operation:

- 1 - Place the machine on a flat surface and check the wheels.
- 2 - Turn off the engine and remove the ignition key.
- 3 - Let the machine cool down.
- 4 - Release of the pressure in the circuits concerned.

# T Repair Manual

**S Marginson**



## T Repair Manual:

**Chilton's Toyota Corolla 1970-87 Repair Manual** Chilton Book Company, 1995 Total Car Care is the most complete step by step automotive repair manual you ll ever use All repair procedures are supported by detailed specifications exploded views and photographs *DA Pam* ,1967 Monthly Catalog of United States Government Publications ,2004 **Popular**

**Mechanics** ,1960-11 Popular Mechanics inspires instructs and influences readers to help them master the modern world Whether it s practical DIY home improvement tips gadgets and digital technology information on the newest cars or the latest breakthroughs in science PM is the ultimate guide to our high tech lifestyle Monthly Catalogue, United States Public Documents ,1991 **Popular Mechanics** ,1964-06 Popular Mechanics inspires instructs and influences readers to help them master the modern world Whether it s practical DIY home improvement tips gadgets and digital technology information on the newest cars or the latest breakthroughs in science PM is the ultimate guide to our high tech lifestyle

**Popular Mechanics** ,1951-08 Popular Mechanics inspires instructs and influences readers to help them master the modern world Whether it s practical DIY home improvement tips gadgets and digital technology information on the newest cars or the latest breakthroughs in science PM is the ultimate guide to our high tech lifestyle *Popular Science* ,1949-02 Popular Science gives our readers the information and tools to improve their technology and their world The core belief that Popular Science and our readers share The future is going to be better and science and technology are the driving forces that will help make it better **Blade Repair Manual** United Aircraft Corporation. Hamilton Standard Propellers Division,1947

**Popular Mechanics** ,1963-07 Popular Mechanics inspires instructs and influences readers to help them master the modern world Whether it s practical DIY home improvement tips gadgets and digital technology information on the newest cars or the latest breakthroughs in science PM is the ultimate guide to our high tech lifestyle

When people should go to the ebook stores, search foundation by shop, shelf by shelf, it is really problematic. This is why we give the book compilations in this website. It will certainly ease you to see guide **T Repair Manual** as you such as.

By searching the title, publisher, or authors of guide you truly want, you can discover them rapidly. In the house, workplace, or perhaps in your method can be every best area within net connections. If you point to download and install the T Repair Manual, it is definitely easy then, back currently we extend the link to purchase and make bargains to download and install T Repair Manual therefore simple!

[https://legacy.tortoisemedia.com/data/publication/Documents/vampire\\_romance\\_2026\\_guide.pdf](https://legacy.tortoisemedia.com/data/publication/Documents/vampire_romance_2026_guide.pdf)

## **Table of Contents T Repair Manual**

1. Understanding the eBook T Repair Manual
  - The Rise of Digital Reading T Repair Manual
  - Advantages of eBooks Over Traditional Books
2. Identifying T Repair Manual
  - Exploring Different Genres
  - Considering Fiction vs. Non-Fiction
  - Determining Your Reading Goals
3. Choosing the Right eBook Platform
  - Popular eBook Platforms
  - Features to Look for in an T Repair Manual
  - User-Friendly Interface
4. Exploring eBook Recommendations from T Repair Manual
  - Personalized Recommendations
  - T Repair Manual User Reviews and Ratings
  - T Repair Manual and Bestseller Lists
5. Accessing T Repair Manual Free and Paid eBooks

- T Repair Manual Public Domain eBooks
  - T Repair Manual eBook Subscription Services
  - T Repair Manual Budget-Friendly Options
6. Navigating T Repair Manual eBook Formats
    - ePub, PDF, MOBI, and More
    - T Repair Manual Compatibility with Devices
    - T Repair Manual Enhanced eBook Features
  7. Enhancing Your Reading Experience
    - Adjustable Fonts and Text Sizes of T Repair Manual
    - Highlighting and Note-Taking T Repair Manual
    - Interactive Elements T Repair Manual
  8. Staying Engaged with T Repair Manual
    - Joining Online Reading Communities
    - Participating in Virtual Book Clubs
    - Following Authors and Publishers T Repair Manual
  9. Balancing eBooks and Physical Books T Repair Manual
    - Benefits of a Digital Library
    - Creating a Diverse Reading Collection T Repair Manual
  10. Overcoming Reading Challenges
    - Dealing with Digital Eye Strain
    - Minimizing Distractions
    - Managing Screen Time
  11. Cultivating a Reading Routine T Repair Manual
    - Setting Reading Goals T Repair Manual
    - Carving Out Dedicated Reading Time
  12. Sourcing Reliable Information of T Repair Manual
    - Fact-Checking eBook Content of T Repair Manual
    - Distinguishing Credible Sources
  13. Promoting Lifelong Learning
    - Utilizing eBooks for Skill Development

- Exploring Educational eBooks
14. Embracing eBook Trends
- Integration of Multimedia Elements
  - Interactive and Gamified eBooks

## **T Repair Manual Introduction**

In this digital age, the convenience of accessing information at our fingertips has become a necessity. Whether its research papers, eBooks, or user manuals, PDF files have become the preferred format for sharing and reading documents. However, the cost associated with purchasing PDF files can sometimes be a barrier for many individuals and organizations. Thankfully, there are numerous websites and platforms that allow users to download free PDF files legally. In this article, we will explore some of the best platforms to download free PDFs. One of the most popular platforms to download free PDF files is Project Gutenberg. This online library offers over 60,000 free eBooks that are in the public domain. From classic literature to historical documents, Project Gutenberg provides a wide range of PDF files that can be downloaded and enjoyed on various devices. The website is user-friendly and allows users to search for specific titles or browse through different categories. Another reliable platform for downloading T Repair Manual free PDF files is Open Library. With its vast collection of over 1 million eBooks, Open Library has something for every reader. The website offers a seamless experience by providing options to borrow or download PDF files. Users simply need to create a free account to access this treasure trove of knowledge. Open Library also allows users to contribute by uploading and sharing their own PDF files, making it a collaborative platform for book enthusiasts. For those interested in academic resources, there are websites dedicated to providing free PDFs of research papers and scientific articles. One such website is Academia.edu, which allows researchers and scholars to share their work with a global audience. Users can download PDF files of research papers, theses, and dissertations covering a wide range of subjects. Academia.edu also provides a platform for discussions and networking within the academic community. When it comes to downloading T Repair Manual free PDF files of magazines, brochures, and catalogs, Issuu is a popular choice. This digital publishing platform hosts a vast collection of publications from around the world. Users can search for specific titles or explore various categories and genres. Issuu offers a seamless reading experience with its user-friendly interface and allows users to download PDF files for offline reading. Apart from dedicated platforms, search engines also play a crucial role in finding free PDF files. Google, for instance, has an advanced search feature that allows users to filter results by file type. By specifying the file type as "PDF," users can find websites that offer free PDF downloads on a specific topic. While downloading T Repair Manual free PDF files is convenient, its important to note that copyright laws must be respected. Always ensure that the PDF files you download are legally available for free. Many authors and publishers

voluntarily provide free PDF versions of their work, but its essential to be cautious and verify the authenticity of the source before downloading T Repair Manual. In conclusion, the internet offers numerous platforms and websites that allow users to download free PDF files legally. Whether its classic literature, research papers, or magazines, there is something for everyone. The platforms mentioned in this article, such as Project Gutenberg, Open Library, Academia.edu, and Issuu, provide access to a vast collection of PDF files. However, users should always be cautious and verify the legality of the source before downloading T Repair Manual any PDF files. With these platforms, the world of PDF downloads is just a click away.

### FAQs About T Repair Manual Books

1. Where can I buy T Repair Manual books? Bookstores: Physical bookstores like Barnes & Noble, Waterstones, and independent local stores. Online Retailers: Amazon, Book Depository, and various online bookstores offer a wide range of books in physical and digital formats.
2. What are the different book formats available? Hardcover: Sturdy and durable, usually more expensive. Paperback: Cheaper, lighter, and more portable than hardcovers. E-books: Digital books available for e-readers like Kindle or software like Apple Books, Kindle, and Google Play Books.
3. How do I choose a T Repair Manual book to read? Genres: Consider the genre you enjoy (fiction, non-fiction, mystery, sci-fi, etc.). Recommendations: Ask friends, join book clubs, or explore online reviews and recommendations. Author: If you like a particular author, you might enjoy more of their work.
4. How do I take care of T Repair Manual books? Storage: Keep them away from direct sunlight and in a dry environment. Handling: Avoid folding pages, use bookmarks, and handle them with clean hands. Cleaning: Gently dust the covers and pages occasionally.
5. Can I borrow books without buying them? Public Libraries: Local libraries offer a wide range of books for borrowing. Book Swaps: Community book exchanges or online platforms where people exchange books.
6. How can I track my reading progress or manage my book collection? Book Tracking Apps: Goodreads, LibraryThing, and Book Catalogue are popular apps for tracking your reading progress and managing book collections. Spreadsheets: You can create your own spreadsheet to track books read, ratings, and other details.
7. What are T Repair Manual audiobooks, and where can I find them? Audiobooks: Audio recordings of books, perfect for listening while commuting or multitasking. Platforms: Audible, LibriVox, and Google Play Books offer a wide selection of audiobooks.

8. How do I support authors or the book industry? Buy Books: Purchase books from authors or independent bookstores. Reviews: Leave reviews on platforms like Goodreads or Amazon. Promotion: Share your favorite books on social media or recommend them to friends.
9. Are there book clubs or reading communities I can join? Local Clubs: Check for local book clubs in libraries or community centers. Online Communities: Platforms like Goodreads have virtual book clubs and discussion groups.
10. Can I read T Repair Manual books for free? Public Domain Books: Many classic books are available for free as they're in the public domain. Free E-books: Some websites offer free e-books legally, like Project Gutenberg or Open Library.

### **Find T Repair Manual :**

[vampire romance 2026 guide](#)

**tips vampire romance**

**step by step gothic romance**

*global trend gothic romance*

**cozy mystery review**

**space opera fan favorite**

**2025 edition gothic romance**

[cozy mystery complete workbook](#)

**2025 edition vampire romance**

[psychological suspense fan favorite](#)

[tips cozy mystery](#)

**fan favorite romantasy saga**

*review urban fantasy*

**advanced sci-fi dystopia**

**2025 edition booktok trending**

### **T Repair Manual :**

[hino motors w04d manuals manualslib](#) - Sep 05 2023

web diesel engine for marine use workshop manual w04d w04c t wo04c ti hino motors ltd foreword procedures on hino marine engine this workshop



*hino rb145 manuals owners workshop parts electrical* - Dec 28 2022

web wo4d hino motors ltd fforeword this workshop manual has been prepared to provide information covering repair procedures on hino vehicle applicable models wo4c t

**hino diesel manual wo4d pdf pdf scribd** - Aug 04 2023

web wo4d hino motors ltd foreword this workshop manual has been prepared to provide information covering repair procedures on hino vehicle applicable models wo4c t

**hino truck service manuals fault codes and wiring diagrams** - Jun 21 2022

web hino motors wo4d workshop manuallink download dhtauto com dht threads hino motors wo4d workshop manual 67705 contact us m dhtauto com gmail comwe w

hino motors wo4d workshop manual youtube - Apr 19 2022

web in order to improve a naturally aspirated na compression ignition ci engine operating on biodiesel fuel this research proposes a guide vane swirl and tumble device gvstd

**hino wo4d diesel engine additional information** - Jul 23 2022

web hino rb145 motors workshop manual wo4d wo4c t pdf contains help for troubleshooting and will support you how to fix your problems immediately perfect for all diy persons your

*hino rb145 motors wo4d wo4c t workshop manual* - Feb 27 2023

web created date 9 16 2007 8 26 29 pm

**hino wo4d service manual manualmachine com** - Nov 26 2022

web hino four cylinders engines wo4d diesel engine for marine use 4 009 liter 4 cyc 4 cyl water cooled so 40 max output sae j1349 gross 200 so 30 300

**a technical specification of engine model hino wo4d b** - Feb 15 2022

hino engine wo4d tr workshop manual autoepc4you com - Jan 29 2023

web view and download hino wo4d instruction manual online

**hino rb145 motors workshop manual wo4d wo4c t** - Aug 24 2022

web hino is the first company in the world to launch mass production line of electric hybrid diesel bus thus taking the leading position in the field of hybrid system application hino

**manuals for hino diesel engines marine diesel** - May 01 2023

web hino trucks hino rb145 motors wo4d wo4c t workshop manual hino rb145 motors wo4d wo4c t workshop manual hino rb145 motors workshop manual wo4d wo4c

**hino truck service manuals fault codes and wiring diagrams** - Mar 19 2022

web hino w04d w04c series diesel engine workshop service repair manual download pdf copy this manual is compatible with the following

**hino rb145 motors workshop manual wo4d w04c t pdf** - Jul 03 2023

web owner workshop and parts manuals are important documents that should be part of every vessel s library they contain the detailed information necessary for safe operation

**hino rb145 motors workshop manual wo4d w04c t news** - May 21 2022

web mar 3 2023 hino manual book hino motors w04c t workshop manual hino motors w04c ti workshop manual hino motors w04d workshop manual hino motors w06d

**hino w04d w04c series diesel engine workshop** - Jan 17 2022

**hino rb145 motors workshop manual wo4d w04c t pdf** - Oct 26 2022

web the hino rb145 motors workshop manual is an essential resource for mechanics and technicians seeking detailed instructions on maintaining and repairing hino rb145

**hino four cylinders engines marine diesel basics** - Sep 24 2022

web free manuals breathing intake exhaust cooling manuals drive train shaft seals etc electrical manuals engine controls gauges engine manuals fuel system manuals

**hino motors w04d workshop manual pdf** - Oct 06 2023

web hino motors w04d manuals manuals and user guides for hino motors w04d we have 1 hino motors w04d manual available for free pdf download workshop manual

**hino motors w04d workshop manual pdf motor vehicle scribd** - Mar 31 2023

web jul 8 2010 hino w04d tr engine workshop manuals hino 300 series s1 lwue01a 0100 chassis foreword eng s1 lwue01a 0200 chassis introduction eng s1

[hino service and repair manuals](#) - Jun 02 2023

web hino motors w04d workshop manual free ebook download as pdf file pdf text file txt or read book online for free hino [top 25 mpls interview questions and answers updated for 2023](#) - Mar 10 2023

web jul 28 2023 ip vpns are scalable using mpls te network congestion is kept to a minimum reliable and safe 2 which protocol does mpls employ tdp or ldp are used by mpls 3 which layer does mpls work on it functions between layers 2 and 3 4 which functions are done by mpls push adding the label swap changing the

[mpls network mcqs trenovision](#) - Jan 28 2022

web apr 18 2019 mpls network mcqs mpls network mcqs contain set of 10 mpls network mcq questions with answers which will help you to clear beginner level quiz 1 when implementing mpls layer 3 vpns with customers running ospf as the cepe routing protocol which situation will require a sham link to be implemented in the mpls

**mpls interview questions and answers interviewgig** - Jul 14 2023

web mpls and vpn are two different technology types mpls is a standards based technology used to speed up the delivery of network packets over multiple protocols such as the ip asynchronous transport mode and frame relay network protocol

**top 50 mpls vpn interview questions and answers mpls** - Apr 11 2023

web aug 12 2023 top 50 mpls vpn interview questions and answers description mastering mpls vpn interviews made easy dive into the world of multiprotocol label switching mpls with our comprehensive

inter as mpls l3vpn courses ine - Dec 27 2021

web this course is composed by the following modules ine s world class it training module 1 inter as mpls l3vpn16 videos inter mpls l3vpn overview mpls l3vpn inter as option a part 1 mpls l3vpn inter as option a part 2 inter as option a example mpls l3vpn inter as option b part 1

20 layer 3 vpn interview questions and answers climb - Jan 08 2023

web aug 12 2022 a bgp mpls ip vpn uses a combination of the border gateway protocol bgp and multi protocol label switching mpls to create a virtual private network vpn over an ip network bgp is used for routing between different vpn sites while mpls is used to forward traffic within each site

top 50 mpls vpn interview questions and answers - Jun 13 2023

web top 50 mpls vpn interview questions and answers welcome to this comprehensive collection of questions and answers about mpls vpn multiprotocol label switching virtual private network

**20 layer 2 vpn interview questions and answers climb** - Nov 06 2022

web aug 11 2022 20 layer 2 vpn interview questions and answers prepare for the types of questions you are likely to be asked when interviewing for a position where layer 2 vpn will be used layer 2 vpns are a type of virtual private network vpn that uses mpls labels to route traffic between sites

how does the inter as mpls vpn feature work cisco - Feb 26 2022

web mar 1 2019 the inter as mpls vpn feature can also be used to divide an individual as into a multiple sub as by using confederations to overcome ibgp full mesh requirements for more information about this feature with configuration commands and examples refer to these documents

top 19 mpls interview questions and answers 2023 - May 12 2023

web a mpls layer 2 point to point the layer 2 point to point mpls is the best suited for companies that need high bandwidth

between a small number of sites it is economical it is an excellent alternative to high bandwidth leased lines many network operators depend on layer 2 and ethernet for their core network infrastructure

*mpls interview questions and answers basics of mpls youtube - Apr 30 2022*

web sep 15 2021 top most asked mpls interview questions and answers for beginners for networking you tube pbqr4j20ohwfor ccna part 1 you tube n8zkv4fsfrm

topic mpls interview questions octa networks - Jul 02 2022

web ip vpns are scalable using mpls te network congestion is kept to a minimum reliable and safe 2 which protocol does mpls employ answer tdp or ldp are used by mpls 3 which layer does mpls work on answer it functions between layers 2 and 3 4 which functions are done by mpls answer push adding the label

vrf mpls and mpls layer 3 vpns answers ccnpv8 - Mar 30 2022

web may 6 2021 quiz answers 1 which routing protocol is used in mpls layer 3 vpns to form peerings between pe routers mp bgp ospfv3 isis eigrp explanation pe routers advertise routes learned from customer routers to other pe routers over mp bgp peerings 2 what is used by provider routers to forward packets through the mpls domain labels

*inter as mpls vpn cisco learning network - Sep 04 2022*

web feb 13 2020 option a back to back vrf each as sees the other as as a ce no further explanation required option b 2a asbrs peer and share vpnv4 information asbrs then have a mp ibgp session with either their route reflector or pe the asbr changes the next hop to self in this peering

top 100 mpls interview questions updated 2023 i - Oct 05 2022

web jan 24 2023 question 62 how does mpls enable vpns question 63 what alternatives are there for implementing vpns over mpls question 64 what is the martini draft question 65 what is a layer 2 vpn question 66 what is a virtual private lan service vpls question 67 are mpls vpns secure question 68 what kinds of

**top 50 vpn interview questions and answers faq 2023 - Aug 15 2023**

web aug 28 2023 we have gathered the questions which can help the candidates to have an idea about vpn and thus to clear the interview vpn interview questions and answers will be for job profiles like network administrator network test manager network engineer

top 75 mpls interview q a ip with ease - Dec 07 2022

web mpls interview questions questions 75 note you can purchase answers of all below mpls interview questions from above in easy to understand pdf format get equipped with the best set of mpls interview question describe the roles of rd and rt in mpls l3vpn how can you differentiate vpnv4 and ipv4 address family

*newest mpls vpn questions network engineering stack exchange - Aug 03 2022*

web dec 17 2014 for questions about mpls vpn where mpls vpn is a flexible method to transport and route several types of network traffic using an mpls backbone for instance point to point mpls vpns employ vll virtual leased lines for providing layer2 point to point connectivity between two sites

**mpls interview questions and answers part 1 youtube** - Jun 01 2022

web this video will help you to understand mpls applications advantages of mpls advantages of the mpls vpn technologies that can be used to carry ip over atm

**mpls l3vpn interview questions archives network kings** - Feb 09 2023

web mar 2 2023 top 19 mpls interview questions and answers march 2 2023 by aakriti mpls interview questions while preparing for cisco certified network professional ccnp certification you need to take two exams ccnp encor the core exam and ccnp enarsi the concentration exam

**apex learning answers reddit** - Jun 13 2023

web r apex learning answers lounge 85 messages live chat 1 posted by u deleted 14 days ago can teachers see if you don t fill out the study assignments please answer i m in apush and these are killing me it takes me forever and was wondering if i just click next will teacher notice

**apex sociology exam answers answers for 2023 exams** - Jul 14 2023

web apex sociology exam answers download apex sociology exam answers filename speed downloads apex sociology exam answers most popular 5763 kb s 11417 apex sociology exam answers 5812 kb s 1710 apex sociology exam answers added by users 2436 kb s 4720 sociology flashcards

*sociology apex learning* - Jan 08 2023

web core sociology examines why people think and behave as they do in relationships groups institutions and societies major course topics include individual and group identity social structures and institutions social change social stratification social dynamics in recent and current events the effects of social change on individuals and

**sociology exam 1 answers flashcards quizlet** - Apr 11 2023

web study with quizlet and memorize flashcards containing terms like what does it mean to think like a sociologist 2 a man looking for a job and struggling to find one he feels depressed and worried that he not a desirable employee

what is the goal of sociology brainly com - Sep 04 2022

web apr 17 2019 answer i am pretty sure the answer is b explanation sociology is the study of the development structure and functioning of human society explore all similar answers arrow right simplify expand heart outlined

**apex 6 1 2 exam answers answers for 2023 exams** - May 12 2023

web apex 6 1 2 exam answers download apex 6 1 2 exam answers filename speed downloads apex 6 1 2 exam answers new

1609 kb s 4098 apex 6 1 2 exam answers most popular 3860 kb s 5396 apex 6 1 2 exam answers updated 301 kb s 1464 free exam prep by it professionals examtopics

**soc 101 fundamentals of sociology apex college course hero** - Nov 06 2022

web access study documents get answers to your study questions and connect with real tutors for soc 101 fundamentals of sociology at apex college

1 2 4 practice sociology pdf 1 2 4 practice applying the - Dec 07 2022

web view 1 2 4 practice sociology pdf from psyc misc at university of georgia 1 2 4 practice applying the science of sociology sociology points possible 30 practice name bianka

*apex sociology answers help environment harvard edu* - Aug 03 2022

web to the pronouncement as skillfully as perspicacity of this apex sociology answers can be taken as well as picked to act routledge library editions british sociological association various 2021 07 14 the volumes in this set originally published between 1969 and 2001 is comprised of original books published in conjunction with

apex sociology answers secure4 khronos - Jun 01 2022

web jun 6 2023 apex sociology answers apex sociology answers title ebooks apex sociology answers category kindle and ebooks pdf author unidentified isbn785458 best sociology quizzes take or create sociology quizzes amp trivia test yourself with sociology quizzes trivia questions and answers

*sociology apex high course hero* - Mar 10 2023

web discover the best homework help resource for sociology at apex high find sociology study guides notes and practice tests for apex high

*apex sociology answers secure4 khronos* - Dec 27 2021

web jun 6 2023 apex sociology answers openbooknesia com apex sociology answers download book apex learning answer key sociology portalpaper com sociology quiz chapter 3 study sets and flashcards quizlet

**apex sociology answers key pdf pdf tax clone ortax** - Jan 28 2022

web by emphasizing the interplay between the global and the local a sociology of globalization introduces readers to new forms and conditions such as global cities transnational communities and commodity chains that are increasingly common *sociology 1101 sociology apex high course hero* - Oct 05 2022

web access study documents get answers to your study questions and connect with real tutors for sociology 1101 sociology at apex high

**apex sociology answers pdf red ortax org** - Apr 30 2022

web apex sociology answers pdf pages 2 2 chandresh agrawal 2023 02 15 sgn the chandresh agrawal s mba cmat pdf ebook

reasoning ability subject covers objective questions from various competitive exams with answers

**apex sociology answers pdf black ortax org** - Jul 02 2022

web introduction apex sociology answers pdf free title apex sociology answers pdf free black ortax org created date 9 7 2023 7 02 30 am

**online sociology apex ch 1 flashcards quizlet** - Aug 15 2023

web online sociology apex ch 1 5 0 1 review society click the card to flip people who interact in a defined territory and share a culture click the card to flip 1 56 flashcards learn test match created by carleygillespie terms in this set 56 society people who interact in a defined territory and share a culture sociological perspective

sociology apex learning - Feb 09 2023

web quiz society and personal choice take a quiz to assess your understanding of the material duration 0 hrs 40 mins scoring 30 points discuss applying the sociological perspective discuss with your peers your perceptions of marriage using a sociological perspective duration 0 hrs 25 mins scoring 15 points lesson 2 the emergence

**apex sociology answers registempdevupload supersalon** - Mar 30 2022

web apex sociology answers 1 apex sociology answers sociology of the arts oswaal nta cuet ug sample papers english sociology psychology entrepreneurship general test set of 5 books entrance exam preparation book 2022 the sociology of elites the study of elites proceedings of the high school conference of november 1910 november

*pdf apex sociology answers download free* - Feb 26 2022

web aug 22 2023 the book of answers aug 01 2020 the book of answers analyzes all the ways that we confirm questions in our everyday social lives when do we answer with yeah rather than he is for instance or when do we use more complicated forms of confirming relying on a large corpus of naturally occurring recordings of spontaneous social