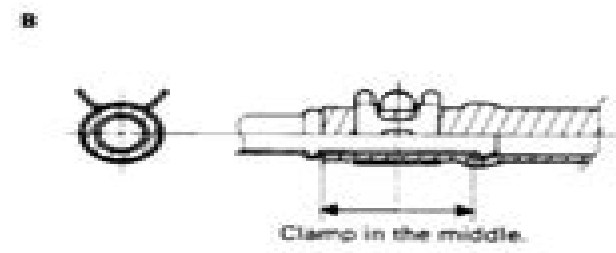
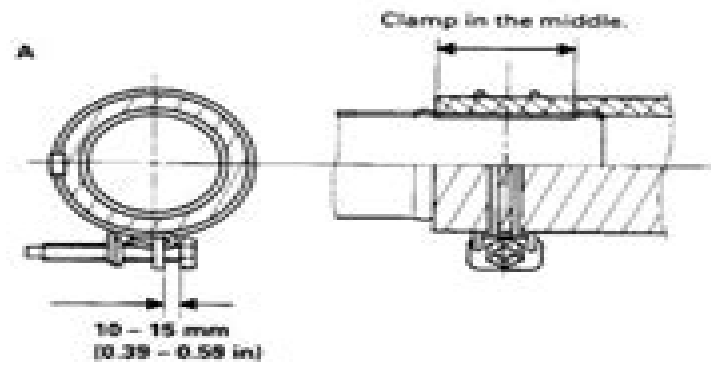
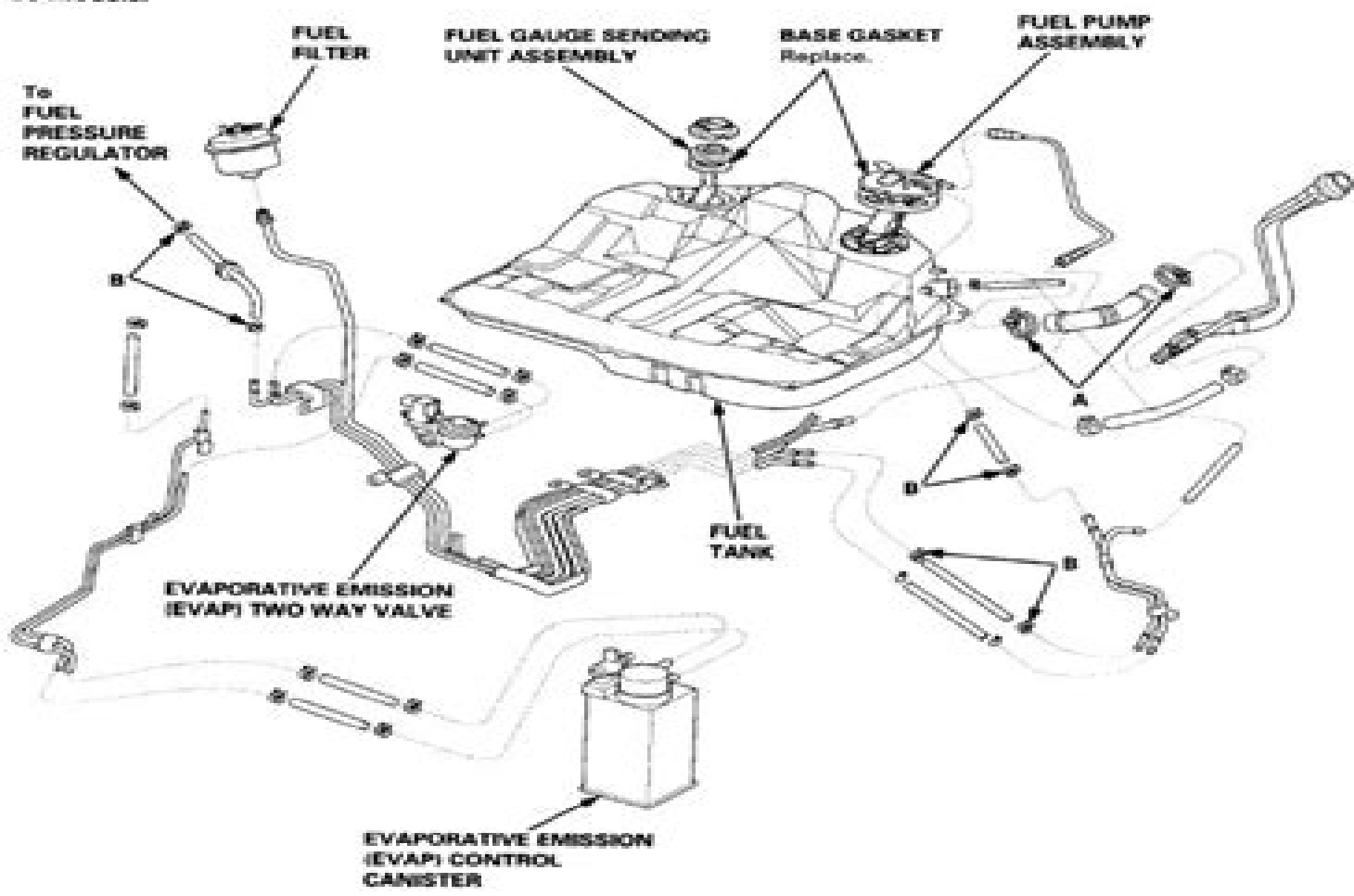


'97 - 98 models:



1996 Acura TL Fuel Pump Seal Manual

American Honda Motor Company



1996 Acura TL Fuel Pump Seal Manual:

The Buying Guide 2004 Consumer Reports,2003-11-29 Whatever your shopping style diligent researcher casual browser or determined time saver Consumer Reports is there with its all new 2004 edition of The Buying Guide Trusted product reviews comparisons test results and Ratings of over 800 products combined with the expertise of Consumer Reports will help you in making your buying decisions for the entire year **The 2002 Used Car and Truck Guide** Consumer Guide,Consumer Guide Editors,2002-03 From picking out the right vehicle to signing on the dotted line this guide helps the used car or truck buyer every step of the way Includes evaluations of cars trucks SUVs and minivans Illustrations **Buying Guide 2003** Consumer Reports,2002-11 Contains specific recommendations for various household products and car repair records Canadian Buying Guide 2003 Consumer Reports,Consumer Reports Books Editors,2002-10-14 *Consumer Reports Buying Guide 2005* Consumer Reports,2004-10-26 Consumer Reports Used Car Buying Guide 2003 Consumer Reports Books,2003-02-14 The ultimate used car guide lists the best and worst used cars summarizes the marketplace shares advice on web shopping discusses author insurance and shares tips on buying and selling Original **Consumer Reports Used Car Buying Guide** Consumer Reports Books Editors,2001-02 Consumer Reports Used Car Buying Guide gives shoppers comprehensive advice on more than 200 models including reliability histories for 1992 1999 models of cars SUVs minivans and pickup trucks 225 photos charts **Acura 3.2 TL Service Manual Supplement 1996** American Honda Motor Company,1995 *Acura 2.5TL/3.2TL Body Repair Manual* Honda Giken Kōgyō Kabushiki Kaisha,1995

Embark on a breathtaking journey through nature and adventure with is mesmerizing ebook, Witness the Wonders in **1996 Acura Tl Fuel Pump Seal Manual** . This immersive experience, available for download in a PDF format (Download in PDF: *), transports you to the heart of natural marvels and thrilling escapades. Download now and let the adventure begin!

<https://legacy.tortoisemedia.com/public/scholarship/index.jsp/1994%20toyota%20camry%20ac%20window%20problem.pdf>

Table of Contents 1996 Acura Tl Fuel Pump Seal Manual

1. Understanding the eBook 1996 Acura Tl Fuel Pump Seal Manual
 - The Rise of Digital Reading 1996 Acura Tl Fuel Pump Seal Manual
 - Advantages of eBooks Over Traditional Books
2. Identifying 1996 Acura Tl Fuel Pump Seal Manual
 - Exploring Different Genres
 - Considering Fiction vs. Non-Fiction
 - Determining Your Reading Goals
3. Choosing the Right eBook Platform
 - Popular eBook Platforms
 - Features to Look for in an 1996 Acura Tl Fuel Pump Seal Manual
 - User-Friendly Interface
4. Exploring eBook Recommendations from 1996 Acura Tl Fuel Pump Seal Manual
 - Personalized Recommendations
 - 1996 Acura Tl Fuel Pump Seal Manual User Reviews and Ratings
 - 1996 Acura Tl Fuel Pump Seal Manual and Bestseller Lists
5. Accessing 1996 Acura Tl Fuel Pump Seal Manual Free and Paid eBooks
 - 1996 Acura Tl Fuel Pump Seal Manual Public Domain eBooks
 - 1996 Acura Tl Fuel Pump Seal Manual eBook Subscription Services
 - 1996 Acura Tl Fuel Pump Seal Manual Budget-Friendly Options
6. Navigating 1996 Acura Tl Fuel Pump Seal Manual eBook Formats

- ePub, PDF, MOBI, and More
 - 1996 Acura TL Fuel Pump Seal Manual Compatibility with Devices
 - 1996 Acura TL Fuel Pump Seal Manual Enhanced eBook Features
7. Enhancing Your Reading Experience
 - Adjustable Fonts and Text Sizes of 1996 Acura TL Fuel Pump Seal Manual
 - Highlighting and Note-Taking 1996 Acura TL Fuel Pump Seal Manual
 - Interactive Elements 1996 Acura TL Fuel Pump Seal Manual
 8. Staying Engaged with 1996 Acura TL Fuel Pump Seal Manual
 - Joining Online Reading Communities
 - Participating in Virtual Book Clubs
 - Following Authors and Publishers 1996 Acura TL Fuel Pump Seal Manual
 9. Balancing eBooks and Physical Books 1996 Acura TL Fuel Pump Seal Manual
 - Benefits of a Digital Library
 - Creating a Diverse Reading Collection 1996 Acura TL Fuel Pump Seal Manual
 10. Overcoming Reading Challenges
 - Dealing with Digital Eye Strain
 - Minimizing Distractions
 - Managing Screen Time
 11. Cultivating a Reading Routine 1996 Acura TL Fuel Pump Seal Manual
 - Setting Reading Goals 1996 Acura TL Fuel Pump Seal Manual
 - Carving Out Dedicated Reading Time
 12. Sourcing Reliable Information of 1996 Acura TL Fuel Pump Seal Manual
 - Fact-Checking eBook Content of 1996 Acura TL Fuel Pump Seal Manual
 - Distinguishing Credible Sources
 13. Promoting Lifelong Learning
 - Utilizing eBooks for Skill Development
 - Exploring Educational eBooks
 14. Embracing eBook Trends
 - Integration of Multimedia Elements
 - Interactive and Gamified eBooks

1996 Acura TL Fuel Pump Seal Manual Introduction

In the digital age, access to information has become easier than ever before. The ability to download 1996 Acura TL Fuel Pump Seal Manual has revolutionized the way we consume written content. Whether you are a student looking for course material, an avid reader searching for your next favorite book, or a professional seeking research papers, the option to download 1996 Acura TL Fuel Pump Seal Manual has opened up a world of possibilities. Downloading 1996 Acura TL Fuel Pump Seal Manual provides numerous advantages over physical copies of books and documents. Firstly, it is incredibly convenient. Gone are the days of carrying around heavy textbooks or bulky folders filled with papers. With the click of a button, you can gain immediate access to valuable resources on any device. This convenience allows for efficient studying, researching, and reading on the go. Moreover, the cost-effective nature of downloading 1996 Acura TL Fuel Pump Seal Manual has democratized knowledge. Traditional books and academic journals can be expensive, making it difficult for individuals with limited financial resources to access information. By offering free PDF downloads, publishers and authors are enabling a wider audience to benefit from their work. This inclusivity promotes equal opportunities for learning and personal growth. There are numerous websites and platforms where individuals can download 1996 Acura TL Fuel Pump Seal Manual. These websites range from academic databases offering research papers and journals to online libraries with an expansive collection of books from various genres. Many authors and publishers also upload their work to specific websites, granting readers access to their content without any charge. These platforms not only provide access to existing literature but also serve as an excellent platform for undiscovered authors to share their work with the world. However, it is essential to be cautious while downloading 1996 Acura TL Fuel Pump Seal Manual. Some websites may offer pirated or illegally obtained copies of copyrighted material. Engaging in such activities not only violates copyright laws but also undermines the efforts of authors, publishers, and researchers. To ensure ethical downloading, it is advisable to utilize reputable websites that prioritize the legal distribution of content. When downloading 1996 Acura TL Fuel Pump Seal Manual, users should also consider the potential security risks associated with online platforms. Malicious actors may exploit vulnerabilities in unprotected websites to distribute malware or steal personal information. To protect themselves, individuals should ensure their devices have reliable antivirus software installed and validate the legitimacy of the websites they are downloading from. In conclusion, the ability to download 1996 Acura TL Fuel Pump Seal Manual has transformed the way we access information. With the convenience, cost-effectiveness, and accessibility it offers, free PDF downloads have become a popular choice for students, researchers, and book lovers worldwide. However, it is crucial to engage in ethical downloading practices and prioritize personal security when utilizing online platforms. By doing so, individuals can make the most of the vast array of free PDF resources available and embark on a journey of continuous learning and intellectual growth.

FAQs About 1996 Acura TL Fuel Pump Seal Manual Books

1. Where can I buy 1996 Acura TL Fuel Pump Seal Manual books? Bookstores: Physical bookstores like Barnes & Noble, Waterstones, and independent local stores. Online Retailers: Amazon, Book Depository, and various online bookstores offer a wide range of books in physical and digital formats.
2. What are the different book formats available? Hardcover: Sturdy and durable, usually more expensive. Paperback: Cheaper, lighter, and more portable than hardcovers. E-books: Digital books available for e-readers like Kindle or software like Apple Books, Kindle, and Google Play Books.
3. How do I choose a 1996 Acura TL Fuel Pump Seal Manual book to read? Genres: Consider the genre you enjoy (fiction, non-fiction, mystery, sci-fi, etc.). Recommendations: Ask friends, join book clubs, or explore online reviews and recommendations. Author: If you like a particular author, you might enjoy more of their work.
4. How do I take care of 1996 Acura TL Fuel Pump Seal Manual books? Storage: Keep them away from direct sunlight and in a dry environment. Handling: Avoid folding pages, use bookmarks, and handle them with clean hands. Cleaning: Gently dust the covers and pages occasionally.
5. Can I borrow books without buying them? Public Libraries: Local libraries offer a wide range of books for borrowing. Book Swaps: Community book exchanges or online platforms where people exchange books.
6. How can I track my reading progress or manage my book collection? Book Tracking Apps: Goodreads, LibraryThing, and Book Catalogue are popular apps for tracking your reading progress and managing book collections. Spreadsheets: You can create your own spreadsheet to track books read, ratings, and other details.
7. What are 1996 Acura TL Fuel Pump Seal Manual audiobooks, and where can I find them? Audiobooks: Audio recordings of books, perfect for listening while commuting or multitasking. Platforms: Audible, LibriVox, and Google Play Books offer a wide selection of audiobooks.
8. How do I support authors or the book industry? Buy Books: Purchase books from authors or independent bookstores. Reviews: Leave reviews on platforms like Goodreads or Amazon. Promotion: Share your favorite books on social media or recommend them to friends.
9. Are there book clubs or reading communities I can join? Local Clubs: Check for local book clubs in libraries or community centers. Online Communities: Platforms like Goodreads have virtual book clubs and discussion groups.
10. Can I read 1996 Acura TL Fuel Pump Seal Manual books for free? Public Domain Books: Many classic books are available for free as they're in the public domain. Free E-books: Some websites offer free e-books legally, like Project Gutenberg or Open Library.

Find 1996 Acura TL Fuel Pump Seal Manual :

1994 toyata camry ac window problem

[1995 honda civic ex wiring diagram](#)

[1995 harley davidson sportster 1200 manual](#)

1995 alfa romeo 164 wiper blade manua

[1994 porsche 911 993 speedster service and repair manual](#)

[1994 mazda truck b2300 manual](#)

[1995 115 mariner outboard service manual](#)

1994 polaris 44x4 manual

[1995 nissan primera manual](#)

[1994 polaris slt 750 owners manual](#)

1995 caprice repair book

[1995 dodge spirit owners manual](#)

[1995 honda atv report](#)

1994 seadoo sp spx spi xp gts gtx explorer service manual

1994 lincoln town car radio wiring diagram

1996 Acura TL Fuel Pump Seal Manual :

[law practice strategy creating a new business mod](#) - Jan 28 2022

web law practice strategy creating a new business mod is available in our book collection an online access to it is set as public so you can download it instantly our book servers

law practice strategy creating a new business model for solos - May 12 2023

web here are the top nine strategic opportunities that you may want to consider in order to boost and switch your legal practice business development in 2020 1 identify and

[law practice strategy creating a new business mod pdf copy](#) - Feb 26 2022

web you could buy lead law practice strategy creating a new business mod or acquire it as soon as feasible you could quickly download this law practice strategy creating a

[law practice strategy creating a new business mod pdf](#) - Apr 30 2022

web get the most less latency period to download any of our books following this one merely said the law practice strategy

creating a new business mod is universally

legal strategy 101 it s time for law firms to re think their - Oct 05 2022

web sep 13 2023 4 determine how many cases you need to meet that revenue goal if you are only handling two or three cases per month the number you came up with above might

law practice strategy creating a new business mod - Oct 25 2021

law practice strategy creating a new business - Aug 15 2023

web with law practice strategy creating a new business model for solos and small firms fundamental strategies are targeted to make this transition a reality such as cost

securing your practice s future making a strategic plan - Feb 09 2023

web the legal profession is currently undergoing a fundamental change in the way law is practiced as a result of technology globalization and an unstable economy in order to

law practice strategy creating a new business model for solos - Jul 14 2023

web law practice strategy creating a new business model for law firm practice management altman weil strategy the practice steering law firm strategy the

law practice strategy creating a new business mod uniport edu - Sep 23 2021

law practice strategy creating a new business model for solos - Dec 07 2022

web sep 1 2021 enable joint prioritization with business units by creating transparency on legal workload based on business activities understand internal resource needs by role

law practice strategy creating a new business mod wrbb neu - Nov 25 2021

how to create a law firm business plan clio - Jul 02 2022

web law practice strategy creating a new business mod law practice strategy creating a new business mod 2 downloaded from bespoke cityam com on 2023 07 15 by guest

law practice strategy creating a new business model for solos - Jun 13 2023

web law practice strategy book read reviews from world s largest community for readers the legal profession is currently undergoing a fundamental change in

four imperatives for the next generation legal department - Sep 04 2022

web new business mod and numerous ebook collections from fictions to scientific research in any way in the middle of them

is this law practice strategy creating a new business

[law practice strategy creating a new business mod](#) - Jun 01 2022

web title law practice strategy creating a new business mod pdf copy status restek wwu edu created date 9 12 2023 3 18 45 am

[law practice strategy creating a new business](#) - Apr 11 2023

web jun 25 2019 improving the business side of your legal practice business requires an ability to improve upon core skill sets with a reasonable amount of effectiveness in the

[business development for law firms the law society](#) - Aug 03 2022

web 2 law practice strategy creating a new business mod 2022 09 22 law practice strategy creating a new business mod downloaded from doublespacio uchile cl by

law practice strategy creating a new business mod mr - Mar 30 2022

web jul 27 2023 business mod getting the books law practice strategy creating a new business mod now is not type of challenging means you could not solitary going when

nine strategies for legal business development in 2020 - Mar 10 2023

web dec 16 2019 the ability to effectively develop new business is an essential component to a successful law practice yet many lawyers say they don t really understand it

law practice strategy creating a new business mod pdf - Dec 27 2021

web law practice strategy creating a new business mod 1 1 downloaded from uniport edu ng on july 11 2023 by guest law practice strategy creating a new business mod

how to start an innovative business plan for your - Nov 06 2022

web oct 7 2019 lawyers for your business connects you with potential clients for a free consultation see our tips for expanding your business overseas starting your own

securing your practice s future your future depends on - Jan 08 2023

web apr 29 2009 ryan cites three levers to building strategic thinking into a law firm the first is defining a process for allocating resources which could result in more effective

lhu kütüphanesi katalog let s talk vaccines a clinician s guide - Apr 02 2023

web let s talk vaccines a clinician s guide to addressing vaccine hesitancy and saving lives gretchen lasalle yazar lasalle gretchen materyal türü metin dil İngilizce philadelphia wolters kluwer tanım xviii 255 sayfa resimli 26 cm İçerik türü text ortam türü unmediated taşıyıcı türü volume isbn 9781975136338 konu

[let s talk vaccines a clinician s guide to addressing vaccine](#) - Jan 31 2023

web let s talk vaccines a clinician s guide to addressing vaccine hesitancy and saving lives gretchen lasalle by lasalle gretchen author publisher philadelphia wolters kluwer 2020 description 255 p color illustrations 26 cm content type text media type unmediated carrier type volume isbn 9781975136338

ebook let s talk vaccines a clinician s guide to addres - Jun 23 2022

web let s talk vaccines a clinician s guide to addres the clinician s guide to oppositional defiant disorder jun 15 2021 the clinician s guide to oppositional defiant disorder symptoms assessment and treatment uniquely focuses on practical strategies for assessing and treating oppositional defiant disorder odd in youth

let s talk vaccines 1st edition amazon com - May 03 2023

web oct 12 2019 new chapter on covid 19 vaccines is available in the ebook version free with purchase of the printed version engaging accessible and filled with practical communication advice let s talk vaccines helps you educate patients on the importance of life saving vaccines using a patient centered and empathetic approach

let s talk vaccines a clinician s guide to addressing vaccine - Oct 08 2023

web also recommended selected as a doody s core title for 2023 engaging accessible and filled with practical communication advice let s talk vaccines helps you educate patients on the importance of life saving vaccines using

let s talk vaccines a clinician s guide to addressing vaccine - Aug 26 2022

web let s talk vaccines a clinician s guide to addressing vaccine hesitancy and saving lives lasalle md dr gretchen amazon es libros

let s talk vaccines a clinician s guide to addressing vaccine - Mar 01 2023

web let s talk vaccines helps you educate patients on the importance of life saving vaccines using a patient centred and empathetic approach covering everything from the science of vaccine safety to the psychology of risk communication this essential guide includes real life examples and thoughtful evidence based techniques that will help

let s talk covid 19 vaccines - Oct 28 2022

web feedback tell us what you think we welcome your comments on this website when filling out the feedback form please do not include any personal or identifiable information

let s talk vaccines a clinician s guide to addressing vaccine - Jun 04 2023

web covering everything from the science of vaccine safety to the psychology of risk communication this essential guide includes real life examples and thoughtful evidence based techniques that

let s talk shots - May 23 2022

web let s talk shots is designed to support vaccine decision making it shares engaging animated content based on a person s questions or concerns with input from people like you the johns hopkins bloomberg school of public health s institute for

vaccine safety ivs with public health partners created the customized content you find on this website

let s talk vaccines a clinician s guide to adres copy - Feb 17 2022

web let s talk biology immunology let s talk about down there let s talk vaccines a clinician s guide to adres downloaded from stage gapinc com by guest arely lewis transformation of the medicaid program rowman littlefield a shame free illustrated guide for people with vaginas from periods to basic hygiene to safe sex from tiktok s

let s talk vaccines a clinician s guide to adres stage gapinc - Apr 21 2022

web the vaccine book miller s review of critical vaccine studies a tale of two sides a novel on vaccines and disease hiv plus how to prevent the next pandemic let s talk vaccines a clinician s guide to adres downloaded from stage gapinc com by guest arely heaven let s talk about down there public health foundation engaging

lets talk about vaccines 02 turkish immunize ca - Dec 30 2022

web lets talk about vaccines 02 turkish ai author andre created date 5 18 2022 4 04 21 pm

let s talk vaccines a clinician s guide to addressing vaccine - Sep 26 2022

web search the for website expand more articles find articles in journals magazines newspapers and more catalog explore books music movies and more databases locate databases by title and description journals find journal titles uwdc discover digital collections images sound recordings and more website find information on

let s talk vaccines bookshare - Nov 28 2022

web dec 9 2019 covering everything from the science of vaccine safety to the psychology of risk communication this essential guide includes real life examples and thoughtful evidence based techniques that will help patients understand vaccines and

let s talk vaccines a clinician s guide to adres download only - Mar 21 2022

web let s talk vaccines a clinician s guide to adres vaccines jun 21 2020 drawing on fifty years of experience caring for children and adults dr moskowitz examines vaccines and our current policy regarding them weaving together a tapestry of observed facts clinical and basic science research news reports from the media and actual cases from

let s talk vaccines a clinician s guide to adres institute of - Jul 25 2022

web it is your agreed own grow old to proceed reviewing habit along with guides you could enjoy now is let s talk vaccines a clinician s guide to adres below miller s review of critical vaccine studies neil z miller 2016 many people sincerely believe that all vaccines are safe adverse reactions are rare and no peer reviewed

on the bookshelf let s talk vaccines a clinician s guide to - Sep 07 2023

web dec 19 2019 let s talk vaccines a clinician s guide to addressing vaccine hesitancy and saving lives is a book for healthcare providers who vaccinate patients and have vaccine related conversations written by gretchen lasalle a family

physician who practices in the state of washington the book is designed to be accessible and relevant

[let s talk vaccines lww](#) - Aug 06 2023

web selected for an international impact book award 2022 selected as a doody s core title for 2022 and 2023 new chapter on covid 19 vaccines is available in the ebook version free with purchase of the printed version engaging accessible and filled with practical communication advice let s talk vaccines helps you educate patients on the

[let s talk vaccines gretchen lasalle google books](#) - Jul 05 2023

web let s talk vaccines gretchen lasalle jul 29 2019 medical 224 pages 1 review engaging accessible and filled with practical communication advice let s talk vaccines

[the dark one tv series 2012 imdb](#) - Dec 27 2021

web the dark one with john dondero brandi alyssa young anthony steele taylor grace davis a dark wizard by the name of syris hunts down the last known pure blood wizard michelle to feed on her soul and gain her power

one dark throne harpercollins - Sep 04 2022

web apr 2 2019 the sequel to the new york times bestselling ya fantasy novel three dark crown the battle for the crown has begun and the unforgettable events of the quickening have left a mark on each of the three sisters katharine once the weak and feeble queen is curiously stronger than ever before

[one dark throne three dark crowns 2 amazon co uk](#) - Jul 02 2022

web in one dark throne the enthralling sequel to kendare blake s the new york times bestselling three dark crowns fennbirn s deadliest queens must face the one thing standing in their way of the crown each other

[one dark throne kendare blake](#) - May 12 2023

web one dark throne 1 nyt bestseller the battle for the crown has begun but which of the three sisters will prevail with the unforgettable events of the quickening behind them and the ascension year underway all bets are off katharine once the weak and feeble sister is stronger than ever before

[one dark throne three dark crowns kağıt kapak](#) - Jun 13 2023

web arama yapmak istediğiniz kategoriye seçin

[one dark throne three dark crowns 2 amazon com](#) - Jan 08 2023

web apr 2 2019 the sequel to the new york times bestselling ya fantasy novel three dark crown the battle for the crown has begun and the unforgettable events of the quickening have left a mark on each of the three sisters katharine once the weak and feeble queen is curiously stronger than ever before

[one dark throne three dark crowns wiki fandom](#) - Aug 03 2022

web sep 17 2017 one dark throne is the second book in the three dark crowns series by kendare blake the battle for the

crown has begun but which of the three sisters will prevail with the unforgettable events of the quickening behind them and the ascension year underway all bets are off

amazon com spend less smile more - Apr 30 2022

web amazon com spend less smile more

one dark throne by kendare blake overdrive - Jun 01 2022

web sep 19 2017 1 new york times bestseller in this enthralling sequel to kendare blake s new york times bestselling three dark crowns fennbirn s deadliest queens must face the one thing standing in their way of the crown each other the battle for the crown ha

[one dark throne kendare blake google books](#) - Apr 11 2023

web sep 19 2017 in this enthralling sequel to kendare blake s new york times bestselling three dark crowns fennbirn s deadliest queens must face the one thing standing in their way of the crown each other

[one dark night on steam](#) - Jan 28 2022

web produced exclusively from real recordings of 911 calls witness trial testimony and architectural drawings one dark night tells the story of the day teenager travyon martin was shot and killed by neighborhood watch volunteer george zimmerman all reviews mixed 92 release date dec 14 2016 developer

one dark throne three dark crowns series 2 paperback - Nov 06 2022

web apr 2 2019 the sequel to the new york times bestselling ya fantasy novel three dark crown the battle for the crown has begun and the unforgettable events of the quickening have left a mark on each of the three sisters katharine once the weak and feeble queen is curiously stronger than ever before

one dark throne on apple books - Dec 07 2022

web 1 new york times bestseller in this enthralling sequel to kendare blake s new york times bestselling three dark crowns fennbirn s deadliest queens must face the one thing standing in their way of the crown each other the battle for the crown has begun but which of the three sisters will prevail

official one dark throne summary everything you need to know - Oct 05 2022

web everything you need to know arsinoe arsinoe attempted to fake her way through the quickening by having a bear familiar bound to her best friend jules however jules lost control and the bear attacked mirabella

one dark throne by kendare blake waterstones - Mar 30 2022

web sep 21 2017 in one dark throne the enthralling sequel to kendare blake s the new york times bestselling three dark crowns fennbirn s deadliest queens must face the one thing standing in their way of the crown each other publisher pan macmillan isbn 9781509807734 number of pages 464 weight 317 g

three dark crowns series by kendare blake goodreads - Mar 10 2023

web book 1 three dark crowns by kendare blake 3 81 105 665 ratings 15 034 reviews published 2016 68 editions when kingdom come there will be one in every gene want to read rate it book 2 one dark throne by kendare blake 4 04 55 621 ratings 5 951 reviews published 2017 60 editions the battle for the crown has begun but which of t

one dark throne three dark crowns 2 by kendare blake goodreads - Aug 15 2023

web sep 19 2017 one dark throne kendare blake 4 04 55 624 ratings 5 951 reviews the battle for the crown has begun but which of the three sisters will prevail with the unforgettable events of the quickening behind them and the ascension year underway all bets are off katharine once the weak and feeble sister is stronger than ever before

one dark throne by kendare blake official book trailer - Feb 09 2023

web the official book trailer for one dark throne the sequel to kendare blake s new york times bestselling three dark crowns the battle for the crown has begun

one dark throne three dark crowns blake kendare - Jul 14 2023

web one dark throne three dark crowns blake kendare amazon com tr Çerez tercihlerinizi seçin alışveriş deneyiminizi geliştirmek hizmetlerimizi sunmak müşterilerin hizmetlerimizi nasıl kullandığını anlayarak iyileştirmeler yapabilmek ve ilgi alanlarına göre özelleştirilmiş reklamlar da dahil olmak üzere reklamları

kendare blake book series in order - Feb 26 2022

web one dark throne is the enthralling second novel in the three dark thrones series of novels the three sisters now have to fight each other for the right to take the crown of fennbirn ascension year is underway and the quickening with its terrible unforgettable events are now in the rear view mirror