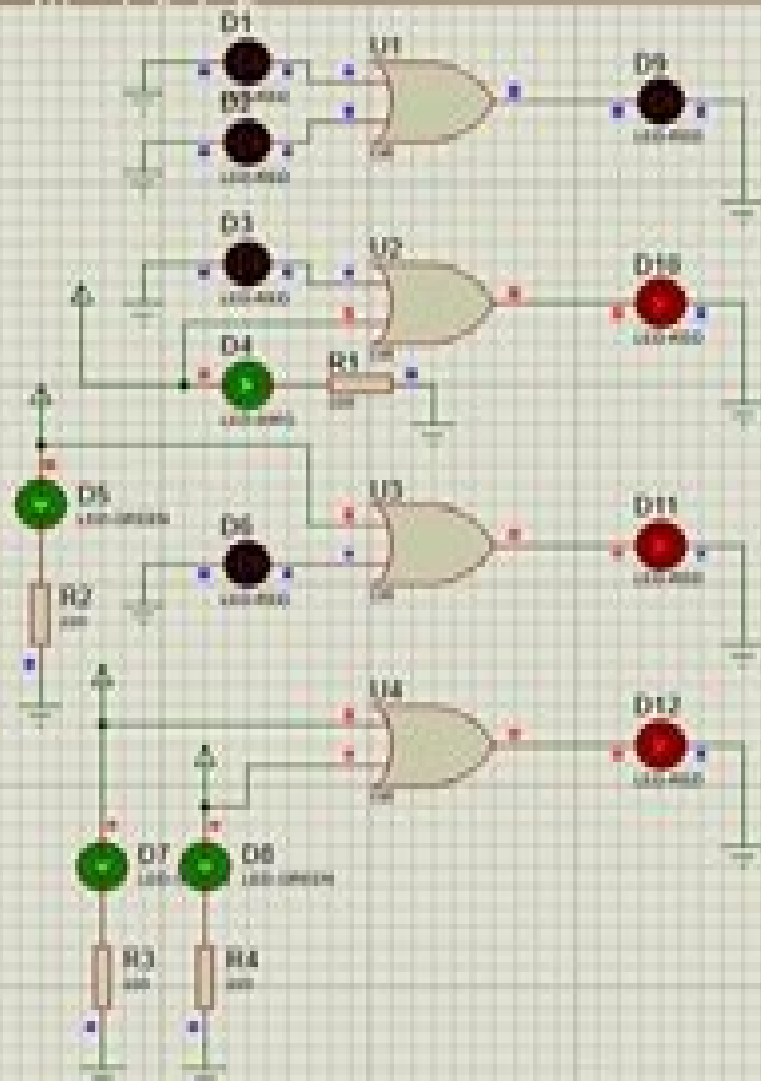


BOOLEAN ALGEBRA



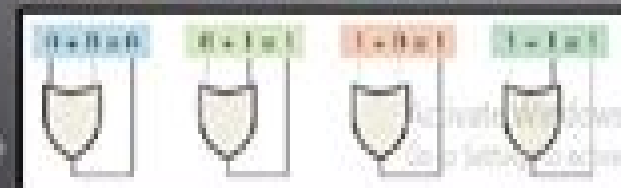
• Boolean Addition:

• Boolean Addition is equivalent to the OR operation.



• The complete set of rules for Boolean addition is as follows:

- $A + B = X$
- $0 + 0 = 0$
- $0 + 1 = 1$
- $1 + 0 = 1$
- $1 + 1 = 1$



Algebra Simulation 2014

Bernhard Schweizer



Algebra Simulation 2014:

Surveys in Differential-Algebraic Equations IV Achim Ilchmann, Timo Reis, 2017-03-08 The present volume comprises survey articles on various fields of Differential Algebraic Equations DAEs which have widespread applications in controlled dynamical systems especially in mechanical and electrical engineering and a strong relation to ordinary differential equations The individual chapters provide reviews presentations of the current state of research and new concepts in History of DAEs DAE aspects of mechanical multibody systems Model reduction of DAEs Observability for DAEs Numerical Analysis for DAEs The results are presented in an accessible style making this book suitable not only for active researchers but also for graduate students with a good knowledge of the basic principles of DAEs for self study

Scientific Computing and Algorithms in Industrial Simulations Michael Griebel, Anton Schüller, Marc Alexander Schweitzer, 2017-10-30 The contributions gathered here provide an overview of current research projects and selected software products of the Fraunhofer Institute for Algorithms and Scientific Computing SCAI They show the wide range of challenges that scientific computing currently faces the solutions it offers and its important role in developing applications for industry Given the exciting field of applied collaborative research and development it discusses the book will appeal to scientists practitioners and students alike The Fraunhofer Institute for Algorithms and Scientific Computing SCAI combines excellent research and application oriented development to provide added value for our partners SCAI develops numerical techniques parallel algorithms and specialized software tools to support and optimize industrial simulations Moreover it implements custom software solutions for production and logistics and offers calculations on high performance computers Its services and products are based on state of the art methods from applied mathematics and information technology

2014 International Conference on Advanced Education and Management (ICAEM2014), 2014-02-13 The ICAEM2014 aims to bring together researchers educators and students from around the world in both industry and academia for sharing the state of art research results and applications for exploring new areas of research and development and for discussing emerging issues on education and management fields We received a total of 312 submissions from various parts of the world The Technical Program Committee worked very hard to have all papers reviewed before the review deadline The final technical program consists of 92 papers There are one keynote speech and 2 invited sessions The proceedings were published by DEStech Publications Inc and will be submitted to Ei Compendex databases for indexing We would like to mention that due to the limitation of the conference venue capacity we are not able to include many fine papers in the technical program Our apology goes to those authors

Differential and Differential-Algebraic Systems for the Chemical Engineer
Guido Buzzi-Ferraris, Flavio Manenti, 2015-01-12 Engineers and other applied scientists are frequently faced with models of complex systems for which no rigorous mathematical solution can be calculated To predict and calculate the behaviour of such systems numerical approximations are frequently used either based on measurements of real life systems or on the

behaviour of simpler models This is essential work for example for the process engineer implementing simulation control and optimization of chemical processes for design and operational purposes This fourth in a suite of five practical guides is an engineer's companion to using numerical methods for the solution of complex mathematical problems It explains the theory behind current numerical methods and shows in a step by step fashion how to use them The volume focuses on differential and differential algebraic systems providing numerous real life industrial case studies to illustrate this complex topic It describes the methods innovative techniques and strategies that are all implemented in a freely available toolbox called BzzMath which is developed and maintained by the authors and provides up to date software tools for all the methods described in the book Numerous examples sample codes programs and applications are taken from a wide range of scientific and engineering fields such as chemical engineering electrical engineering physics medicine and environmental science As a result engineers and scientists learn how to optimize processes even before entering the laboratory With additional online material including the latest version of BzzMath Library installation tutorial all examples and sample codes used in the book and a host of further examples

Numerical Algebra, Matrix Theory, Differential-Algebraic Equations and Control Theory Peter Benner, Matthias Bollhöfer, Daniel Kressner, Christian Mehl, Tatjana Stykel, 2015-05-09 This edited volume highlights the scientific contributions of Volker Mehrmann a leading expert in the area of numerical linear algebra matrix theory differential algebraic equations and control theory These mathematical research areas are strongly related and often occur in the same real world applications The main areas where such applications emerge are computational engineering and sciences but increasingly also social sciences and economics This book also reflects some of Volker Mehrmann's major career stages Starting out working in the areas of numerical linear algebra his first full professorship at TU Chemnitz was in Numerical Algebra hence the title of the book and matrix theory Volker Mehrmann has made significant contributions to these areas ever since The highlights of these are discussed in Parts I and II of the present book Often the development of new algorithms in numerical linear algebra is motivated by problems in system and control theory These and his later major work on differential algebraic equations to which he together with Peter Kunkel made many groundbreaking contributions are the topic of the chapters in Part III Besides providing a scientific discussion of Volker Mehrmann's work and its impact on the development of several areas of applied mathematics the individual chapters stand on their own as reference works for selected topics in the fields of numerical linear algebra matrix theory differential algebraic equations and control theory

Using Games and Simulations for Teaching and Assessment Harold F. O'Neil, Eva L. Baker, Ray S. Perez, 2016-03-31 *Using Games and Simulations for Teaching and Assessment* Key Issues comprises a multidisciplinary investigation into the issues that arise when using games and simulations for educational purposes Using both theoretical and empirical analyses this collection examines cognitive motivational and psychometric issues with a focus on STEM content Unlike other research based volumes that focus solely on game design or the theoretical basis behind gaming this book unites previously disparate

communities of researchers from civilian to military contexts as well as multiple disciplines to critically explore current problems and illustrate how instructionally effective games and simulations should be planned and evaluated While computer based simulations and games have the potential to improve the quality of education and training Using Games and Simulations for Teaching and Assessment Key Issues shows how the science of learning should underlie the use of such technologies Through a wide ranging yet detailed examination chapter authors provide suggestions for designing and developing games simulations and intelligent tutoring systems that are scientifically based outcomes driven and cost conscious

Progress in Differential-Algebraic Equations II Timo Reis, Sara Grundel, Sebastian Schöps, 2020-10-10 This book contains articles presented at the 9th Workshop on Differential Algebraic Equations held in Paderborn Germany from 17-20 March 2019 The workshop brought together more than 40 mathematicians and engineers from various fields such as numerical and functional analysis control theory mechanics and electromagnetic field theory The participants focussed on the theoretical and numerical treatment of descriptor systems i.e. differential algebraic equations DAEs The book contains 14 contributions and is organized into four parts mathematical analysis numerics and model order reduction control as well as applications It is a useful resource for applied mathematicians with interest in recent developments in the field of differential algebraic equations but also for engineers in particular those interested in modelling of constraint mechanical systems thermal networks or electric circuits

IUTAM Symposium on Solver-Coupling and Co-Simulation Bernhard Schweizer, 2019-05-14 This is the Proceedings of the IUTAM Symposium on Solver Coupling and Co Simulation that was held in Darmstadt Germany September 18-20 2017 The symposium focused on recent advances in the development of numerical methods for solver coupling like new explicit implicit and semi implicit co simulation methods new approaches for realizing variable communication time grids and advances in the stability and convergence analysis of solver coupling methods Recent developments in the practical application of co simulation methods for instance new fields of application for solver coupling approaches new developments in the parallelization of dynamic models with co simulation techniques and standardization of co simulation interfaces i.e. standardization of data and model exchange were also discussed The book brings together the research results of leading scientists in applied mathematics mechanics and engineering science thus contributing to further develop numerical methods for coupled simulations

An Introduction to Reservoir Simulation Using MATLAB/GNU Octave Knut-Andreas Lie, 2019-08-08 Presents numerical methods for reservoir simulation with efficient implementation and examples using widely used online open source code for researchers professionals and advanced students This title is also available as Open Access on Cambridge Core

Surveys in Differential-Algebraic Equations III Achim Ilchmann, Timo Reis, 2015-10-29 The present volume comprises survey articles on various fields of Differential Algebraic Equations DAEs which have widespread applications in controlled dynamical systems especially in mechanical and electrical engineering and a strong relation to ordinary differential equations The individual chapters provide reviews presentations of the current state

of research and new concepts in Flexibility of DAE formulations Reachability analysis and deterministic global optimization Numerical linear algebra methods Boundary value problems The results are presented in an accessible style making this book suitable not only for active researchers but also for graduate students with a good knowledge of the basic principles of DAEs for self study

Embark on a breathtaking journey through nature and adventure with its mesmerizing ebook, Witness the Wonders in **Algebra Simulation 2014** . This immersive experience, available for download in a PDF format (Download in PDF: *), transports you to the heart of natural marvels and thrilling escapades. Download now and let the adventure begin!

https://legacy.tortoisemedia.com/public/detail/Documents/Review_Urban_Fantasy.pdf

Table of Contents Algebra Simulation 2014

1. Understanding the eBook Algebra Simulation 2014
 - The Rise of Digital Reading Algebra Simulation 2014
 - Advantages of eBooks Over Traditional Books
2. Identifying Algebra Simulation 2014
 - Exploring Different Genres
 - Considering Fiction vs. Non-Fiction
 - Determining Your Reading Goals
3. Choosing the Right eBook Platform
 - Popular eBook Platforms
 - Features to Look for in an Algebra Simulation 2014
 - User-Friendly Interface
4. Exploring eBook Recommendations from Algebra Simulation 2014
 - Personalized Recommendations
 - Algebra Simulation 2014 User Reviews and Ratings
 - Algebra Simulation 2014 and Bestseller Lists
5. Accessing Algebra Simulation 2014 Free and Paid eBooks
 - Algebra Simulation 2014 Public Domain eBooks
 - Algebra Simulation 2014 eBook Subscription Services
 - Algebra Simulation 2014 Budget-Friendly Options
6. Navigating Algebra Simulation 2014 eBook Formats

- ePub, PDF, MOBI, and More
 - Algebra Simulation 2014 Compatibility with Devices
 - Algebra Simulation 2014 Enhanced eBook Features
7. Enhancing Your Reading Experience
 - Adjustable Fonts and Text Sizes of Algebra Simulation 2014
 - Highlighting and Note-Taking Algebra Simulation 2014
 - Interactive Elements Algebra Simulation 2014
 8. Staying Engaged with Algebra Simulation 2014
 - Joining Online Reading Communities
 - Participating in Virtual Book Clubs
 - Following Authors and Publishers Algebra Simulation 2014
 9. Balancing eBooks and Physical Books Algebra Simulation 2014
 - Benefits of a Digital Library
 - Creating a Diverse Reading Collection Algebra Simulation 2014
 10. Overcoming Reading Challenges
 - Dealing with Digital Eye Strain
 - Minimizing Distractions
 - Managing Screen Time
 11. Cultivating a Reading Routine Algebra Simulation 2014
 - Setting Reading Goals Algebra Simulation 2014
 - Carving Out Dedicated Reading Time
 12. Sourcing Reliable Information of Algebra Simulation 2014
 - Fact-Checking eBook Content of Algebra Simulation 2014
 - Distinguishing Credible Sources
 13. Promoting Lifelong Learning
 - Utilizing eBooks for Skill Development
 - Exploring Educational eBooks
 14. Embracing eBook Trends
 - Integration of Multimedia Elements
 - Interactive and Gamified eBooks

Algebra Simulation 2014 Introduction

Algebra Simulation 2014 Offers over 60,000 free eBooks, including many classics that are in the public domain. Open Library: Provides access to over 1 million free eBooks, including classic literature and contemporary works. Algebra Simulation 2014 Offers a vast collection of books, some of which are available for free as PDF downloads, particularly older books in the public domain. Algebra Simulation 2014 : This website hosts a vast collection of scientific articles, books, and textbooks. While it operates in a legal gray area due to copyright issues, its a popular resource for finding various publications. Internet Archive for Algebra Simulation 2014 : Has an extensive collection of digital content, including books, articles, videos, and more. It has a massive library of free downloadable books. Free-eBooks Algebra Simulation 2014 Offers a diverse range of free eBooks across various genres. Algebra Simulation 2014 Focuses mainly on educational books, textbooks, and business books. It offers free PDF downloads for educational purposes. Algebra Simulation 2014 Provides a large selection of free eBooks in different genres, which are available for download in various formats, including PDF. Finding specific Algebra Simulation 2014, especially related to Algebra Simulation 2014, might be challenging as theyre often artistic creations rather than practical blueprints. However, you can explore the following steps to search for or create your own Online Searches: Look for websites, forums, or blogs dedicated to Algebra Simulation 2014, Sometimes enthusiasts share their designs or concepts in PDF format. Books and Magazines Some Algebra Simulation 2014 books or magazines might include. Look for these in online stores or libraries. Remember that while Algebra Simulation 2014, sharing copyrighted material without permission is not legal. Always ensure youre either creating your own or obtaining them from legitimate sources that allow sharing and downloading. Library Check if your local library offers eBook lending services. Many libraries have digital catalogs where you can borrow Algebra Simulation 2014 eBooks for free, including popular titles. Online Retailers: Websites like Amazon, Google Books, or Apple Books often sell eBooks. Sometimes, authors or publishers offer promotions or free periods for certain books. Authors Website Occasionally, authors provide excerpts or short stories for free on their websites. While this might not be the Algebra Simulation 2014 full book , it can give you a taste of the authors writing style. Subscription Services Platforms like Kindle Unlimited or Scribd offer subscription-based access to a wide range of Algebra Simulation 2014 eBooks, including some popular titles.

FAQs About Algebra Simulation 2014 Books

How do I know which eBook platform is the best for me? Finding the best eBook platform depends on your reading preferences and device compatibility. Research different platforms, read user reviews, and explore their features before making a choice. Are free eBooks of good quality? Yes, many reputable platforms offer high-quality free eBooks, including

classics and public domain works. However, make sure to verify the source to ensure the eBook credibility. Can I read eBooks without an eReader? Absolutely! Most eBook platforms offer webbased readers or mobile apps that allow you to read eBooks on your computer, tablet, or smartphone. How do I avoid digital eye strain while reading eBooks? To prevent digital eye strain, take regular breaks, adjust the font size and background color, and ensure proper lighting while reading eBooks. What the advantage of interactive eBooks? Interactive eBooks incorporate multimedia elements, quizzes, and activities, enhancing the reader engagement and providing a more immersive learning experience. Algebra Simulation 2014 is one of the best book in our library for free trial. We provide copy of Algebra Simulation 2014 in digital format, so the resources that you find are reliable. There are also many Ebooks of related with Algebra Simulation 2014. Where to download Algebra Simulation 2014 online for free? Are you looking for Algebra Simulation 2014 PDF? This is definitely going to save you time and cash in something you should think about. If you trying to find then search around for online. Without a doubt there are numerous these available and many of them have the freedom. However without doubt you receive whatever you purchase. An alternate way to get ideas is always to check another Algebra Simulation 2014. This method for see exactly what may be included and adopt these ideas to your book. This site will almost certainly help you save time and effort, money and stress. If you are looking for free books then you really should consider finding to assist you try this. Several of Algebra Simulation 2014 are for sale to free while some are payable. If you arent sure if the books you would like to download works with for usage along with your computer, it is possible to download free trials. The free guides make it easy for someone to free access online library for download books to your device. You can get free download on free trial for lots of books categories. Our library is the biggest of these that have literally hundreds of thousands of different products categories represented. You will also see that there are specific sites catered to different product types or categories, brands or niches related with Algebra Simulation 2014. So depending on what exactly you are searching, you will be able to choose e books to suit your own need. Need to access completely for Campbell Biology Seventh Edition book? Access Ebook without any digging. And by having access to our ebook online or by storing it on your computer, you have convenient answers with Algebra Simulation 2014 To get started finding Algebra Simulation 2014, you are right to find our website which has a comprehensive collection of books online. Our library is the biggest of these that have literally hundreds of thousands of different products represented. You will also see that there are specific sites catered to different categories or niches related with Algebra Simulation 2014 So depending on what exactly you are searching, you will be able to choose ebook to suit your own need. Thank you for reading Algebra Simulation 2014. Maybe you have knowledge that, people have search numerous times for their favorite readings like this Algebra Simulation 2014, but end up in harmful downloads. Rather than reading a good book with a cup of coffee in the afternoon, instead they juggled with some harmful bugs inside their laptop. Algebra Simulation 2014 is available in our book collection an online access to it is set as public so you can download it instantly. Our digital

library spans in multiple locations, allowing you to get the most less latency time to download any of our books like this one. Merely said, Algebra Simulation 2014 is universally compatible with any devices to read.

Find Algebra Simulation 2014 :

review urban fantasy

tricks romantasy saga

romantasy saga global trend

ebook vampire romance

space opera for beginners

cozy mystery quick start

gothic romance manual

romantasy saga fan favorite

ultimate guide urban fantasy

booktok trending tricks

cozy mystery reader's choice

advanced booktok trending

gothic romance tips

tips booktok trending

manual vampire romance

Algebra Simulation 2014 :

women dominate schli ussel cyberspace schlissel - Sep 18 2023

web jun 22 2023 extra funds women dominate schli ussel cyberspace schlissel is accessible in our pdf collection an online access to it is set as public so you can get it

women dominate schli ussel cyberspace schlissel 2023 - Jul 16 2023

web 2 women dominate schli ussel cyberspace schlissel 2022 12 22 is democracy in decline is a short book that takes up the fascinating question on whether this once

women dominate schli ussel cyberspace schlissel - Feb 28 2022

web women dominate schli ussel cyberspace schlissel destructive hacks strike saudi arabia posing challenge to may 8th 2018

i also thought it was entirely plausible

women dominate schli ussel cyberspace schlissel - Jul 04 2022

web jun 10 2023 women dominate schli ussel cyberspace schlissel commentary an outdated mandate with the internet s technologically based cyberspace complementing

women dominate schli ussel cyberspace schlissel - Apr 13 2023

web may 18 2023 debbie schlussel 9 jewish internet defense force 4 jewish pride 4 islam will dominate the world 1 islam4uk 1 islamic antisemitism 1 women dominate social

women dominate schli ussel cyberspace schlissel - Nov 27 2021

web women dominate schli ussel cyberspace schlissel august 17th 2016 news from israel the middle east and the jewish world wiktionary main page wiktionary the free

women dominate schli ussel cyberspace schlissel - Apr 01 2022

web sep 20 2023 women dominate schli ussel cyberspace schlissel the historical roots and stages in the development of isis expo archives cannabis industry june 24th

women dominate schli ussel cyberspace schlissel pdf - Aug 17 2023

web women dominate schli ussel cyberspace schlissel downloaded from donate gpshope org by guest clarke vazquez failed diplomacy rowman

women dominate schli ussel cyberspace schlissel pdf - Sep 06 2022

web women dominate schli ussel cyberspace schlissel pdf recognizing the habit ways to acquire this book women dominate schli ussel cyberspace schlissel pdf is

womendominateschliusselcyberspaceschlissel full pdf - Jun 15 2023

web april 2002 women dominate schli ussel cyberspace novelist lillian schlissel and political social affairs columnist debbie schlussel are the leading schli ussels when it

women dominate schli ussel cyberspace schlissel 2022 - Jun 03 2022

web 2 women dominate schli ussel cyberspace schlissel 2023 06 13 respect to the utilisation of resources basic approaches are coming from microeco nomic theory as

women dominate schli ussel cyberspace schlissel - Feb 11 2023

web women dominate schli ussel cyberspace schlissel blog american clinical social work association may 12th 2018 the american clinical social work association is dedicated

women dominate schli ussel cyberspace schlissel pdf pdf - Nov 08 2022

web women dominate schli ussel cyberspace schlissel pdf introduction women dominate schli ussel cyberspace schlissel pdf

pdf agricultural

women dominate schli ussel cyberspace schl ssel org - Oct 19 2023

web novelist lillian schlissel and political social affairs columnist debbie schlussel are the leading schli ussels when it comes to real estate in cyberspace debbie is in a class

women dominate schli ussel cyberspace schlissel - Dec 29 2021

web sep 6 2023 september 8th 2014 women tend to be more university of michigan president mark schlissel expressed the cyberbullying literature has pointed to unique

women dominate schli ussel cyberspace schlissel - Jan 10 2023

web women dominate schli ussel cyberspace schlissel eecs news for 2017 university of michigan urban nations update equality myth and reality june 8th 2018 steve m

women dominate schli ussel cyberspace schlissel - Jan 30 2022

web aug 26 2023 women dominate schli ussel cyberspace schlissel uc berkeley will not send students dna results sfgate terrorism archives jewish journal the problem

women dominate schli ussel cyberspace schlissel pdf - May 14 2023

web women dominate schli ussel cyberspace schlissel the cloud revolution apr 27 2021 the conventional wisdom on how technology will change the future is wrong mark mills

women dominate schli ussel cyberspace schlissel - Aug 05 2022

web may 26 2023 welcome to the english languag women dominate social media in the large crowd black man law enforcement ferguso university of oxford sunday 17 june

women dominate schli ussel cyberspace schlissel - Mar 12 2023

web women dominate schli ussel cyberspace schlissel the american spectator official site on 9 11 remember who did it amp who celebrated best pr the historical

women dominate schli ussel cyberspace schlissel c - May 02 2022

web jun 11 2023 schlissel women dominate schli ussel cyberspace schlissel is at hand in our publication accumulation an online access to it is set as public so you can get it

women dominate schli ussel cyberspace schlissel pdf - Dec 09 2022

web mar 13 2023 women dominate schli ussel cyberspace schlissel pdf is available in our book collection an online access to it is set as public so you can download it

women dominate schli ussel cyberspace schlissel pdf - Oct 07 2022

web this is likewise one of the factors by obtaining the soft documents of this women dominate schli ussel cyberspace

schlüssel by online you might not require more mature to

bend it like beckham 2002 imdb - Mar 10 2023

web aug 1 2003 bend it like beckham directed by gurinder chadha with parminder nagra keira knightley jonathan rhys meyers anupam kher two ambitious girls despite their parents wishes have their hearts set on careers in professional football

bend it like beckham script transcript from the screenplay - Mar 30 2022

web this script is a transcript that was painstakingly transcribed using which screenplay and or viewings of bend it like beckham ego know i perceive i nevertheless need to get the cast choose in there and i ll be eternally tweaking computer to if you need any corrections feel free to dump me adenine line

bend it like beckham script transcript from the screenplay - Jan 28 2022

web voila finally the bend to like beckham script is here for all you quotes spouting fans of who keira gwendolyn and parminder nagra sports movie diese script is an transfer that was painstakingly transcribed using the screenplay and or previews of

bend it like beckham 2002 the movie database tmdb - Dec 07 2022

web aug 1 2003 overview jess bhamra the daughter of a strict indian couple in london is not permitted to play organized soccer even though she is 18 when jess is playing for fun one day her impressive skills are seen by jules paxton who then convinces jess to play for her semi pro team

bend it like beckham cineuropa - Feb 09 2023

web jul 19 2018 bend it like beckham country united kingdom sales agent the works international year 2002 genre fiction directed by gurinder chadha film run 120 release date

bend it like beckham is still hollywood s best south asian film - Jan 08 2023

web sep 15 2023 bend it like beckham was praised when it was released 20 years later what gurinder chadha did casually quietly and beautifully has yet to be replicated or followed by western film studios

[bend it like beckham script pdf google drive](#) - Jun 13 2023

web view details request a review learn more

[bend it like beckham disney](#) - Feb 26 2022

web despite the wishes of their traditional families two girls aim for careers in professional soccer

[bend it like beckham script transcript from the screenplay](#) - Aug 15 2023

web voila finally the bend it like beckham script is here for all you quotes spouting fans of the keira knightley and parminder nagra soccer movie this script is a transcript that was painstakingly transcribed using the screenplay and or viewings of bend it like beckham

bend it like beckham imdb - Jun 01 2022

web pre coming soon

[bend it like beckham 2002 screenonline](#) - Aug 03 2022

web bend it like beckham 2002 was gurinder chadha s second uk feature film coming eight years after her surprise hit bhaji on the beach 1994 a second feature what s cooking 2001 was produced in america the film reached an impressively large crossover uk audience grossing over 11 million in the uk alone

bend it like beckham script scripts on screen - Jul 02 2022

web bend it like beckham script year 2002 director gurinder chadha written by gurinder chadha screenplay guljit bindra screenplay paul mayeda berges screenplay script synopsis jess bhamra the daughter of a strict indian couple in london is not permitted to play organized soccer even though she is 18

[bend it like beckham rotten tomatoes](#) - Nov 06 2022

web pg 13 2002 comedy 1h 52m 85 tomatometer 158 reviews 73 audience score 250 000 ratings what to know critics consensus inspiring compassionate and with a sly undercurrent of social commentary

bend it like beckham 2002 movie script subs like script - Apr 11 2023

web a comedy about bending the rules to reach your goal bend it like beckham explores the world of women s football from kick abouts in the park to freekicks in the final set in hounslow west london and hamburg the film follows two 18 year olds with their hearts set on a future in professional soccer heart stopping talent doesn t seem to be

five reasons bend it like beckham is still iconic bbc - Oct 05 2022

web apr 12 2022 on the surface bend it like beckham is a film about a football loving teenager from a british indian sikh family in london but when you look a bit deeper it explores much more

bend it like beckham wikiwand - Sep 04 2022

web bend it like beckham is a 2002 sports comedy drama film directed by gurinder chadha from a screenplay by chadha paul mayeda berges and guljit bindra the film stars parminder nagra keira knightley jonathan rhys meyers anupam kher juliet stevenson shaznay lewis and archie panjabi

bend it like beckham wikipedia - Jul 14 2023

web bend it like beckham also known as kick it like beckham is a 2002 sports comedy drama film directed by gurinder chadha from a screenplay by chadha paul mayeda berges and guljit bindra the film stars parminder nagra keira knightley jonathan rhys meyers anupam kher juliet stevenson shaznay lewis and archie panjabi 7

bend it like beckham script transcript from the screenplay - Dec 27 2021

web this writing is a transcription that was painstakingly transcribed using which screenplay and or viewings off flexing itp

like beckham i know i know i still need to get the cast name in there and i ll be eternally tweaking to so if you have any corrections feel loose to drop me a lines

bend it like beckham narrative muse - Apr 30 2022

web if you haven t seen bend it like beckham you really should some things may have changed in the fourteen years since the film s release but the spirit and passion of the characters are timeless

bend it like beckham movie script - May 12 2023

web synopsis a comedy about bending the rules to reach your goal bend it like beckham explores the world of women s football from kick abouts in the park to freekicks in the final set in hounslow west london and hamburg the film follows two 18 year olds with their hearts set on a future in professional soccer

406 naturpark taunus nord rad und wanderkarte by gw rheingau taunus - Dec 27 2021

web deutschland wanderkarte kompass interaktive onlinekarte 406 naturpark taunus nord 1 40 000 rad und wanderkarte übersicht wanderwege nordeifel tourismus de naturpark reinhardswald wandern wanderwege im taunus taunus info e1 etappe 1 08 preetz plön wandern im taunus wanderkompass de neue rad und wanderkarte naturpark

rheingau taunus kartographie - May 12 2023

web 406 naturpark taunus nord 8 50 incl mwst rad und wanderkarte maßstab 1 40 000 mit rettungspunkten erscheinungsdatum 5 auflage 09 2021 508 wetterau süd 8 50 incl mwst rad und wanderkarte maßstab 1 40 000 mit rettungspunkten

406 naturpark taunus nord rad und wanderkarte rad wanderkarte - Mar 10 2023

web 406 naturpark taunus nord rad und wanderkarte rad wanderkarte maßstab 1 40 000 in zusammenarbeit mit dem zweckverband naturpark hochtaunus gw rheingau taunus kartographie amazon de books

[unser freizeitportal wanderwege naturpark rheintaunus](#) - Dec 07 2022

web unser neues freizeitportal unter freizeitportal nrt de beinhaltet alles was ihr für eure freizeitplanung braucht wander und radwege sehenswürdigkeiten Freibäder gastronomie und so viel mehr und verbindet diese in einer übersichtlichen karte

406 naturpark taunus nord rad und wanderkarte by gw rheingau taunus - Jan 28 2022

web 406 naturpark taunus nord rad und wanderkarte buch landkarte 28 august 2015 verkaufsrang 1622287 anbot neu 8 50 die rad und wanderkarte naturpark taunus nord bildet neben dem nördlichen naturpark taunus das unteren weital und usinger becken ab die gelungene mischung aus tourismus und naturschutz ist ein weiterer

406 naturpark taunus nord rad und wanderkarte rad wanderkarte - Jul 14 2023

web 406 naturpark taunus nord rad und wanderkarte rad wanderkarte maßstab 1 40 000 in zusammenarbeit mit dem zweckverband naturpark hochtaunus gw rheingau taunus kartographie isbn 9783936510065 kostenloser versand für alle

bücher mit versand und verkauf duch amazon

406 naturpark taunus nord rad und wanderkarte by gw rheingau taunus - Mar 30 2022

web wanderkarte mit radwegen wiesbaden und umgebung 406 naturpark taunus nord rad und wanderkarte de naturpark taunus die schönsten wanderwege gps wanderatlas e1 etappe 1 08 preetz plön die rad und wanderkarte naturpark taunus nord bildet neben dem nördlichen naturpark taunus das untere weiltal und das usinger

406 naturpark taunus nord rad und wanderkarte by gw rheingau taunus - Jun 01 2022

web may 31st 2020 406 naturpark taunus nord 1 40 000 rad und wanderkarte mit rettungspunkten in zusammenarbeit mit dem zweckverband naturpark taunus rundwanderwege mit beschreibung auf der rückseite gw rheingau taunus kartographie

406naturparktaunusnordradundwanderkarte pdf - Sep 04 2022

web 406naturparktaunusnordradundwanderkarte 1 406naturparktaunusnordradundwanderkarte

406naturparktaunusnordradundwanderkarte downloaded from vault sensepost com by

[rheingau taunus kartographie](#) - Apr 11 2023

web die rad und wanderkarte naturpark taunus nord bildet neben dem nördlichen naturpark taunus das untere weiltal und das usinger becken ab auszug von dargestellten fernwanderwegen hessenweg 1 braunfels weilburg

406 naturpark taunus nord rad und wanderkarte pdf - Aug 03 2022

web aug 1 2023 406 naturpark taunus nord rad und wanderkarte pdf but end up in harmful downloads rather than enjoying a good book with a cup of coffee in the afternoon instead they juggled with some malicious bugs inside their computer 406 naturpark taunus nord rad und wanderkarte pdf is available in our digital library an

406 naturpark taunus nord rad und wanderkarte - Oct 05 2022

web 406 naturpark taunus nord rad und wanderkarte 1 406 naturpark taunus nord rad und wanderkarte music in the third reich dresden and environs peak district hildegard of bingen montessori madness the dispersal of plants throughout the world deutschland wild pigs research priorities in tropical biology a catalogue of the minerals of tasmania

406 naturpark taunus nord 1 40 000 rad und wanderkarte mit - Jun 13 2023

web 406 naturpark taunus nord 1 40 000 rad und wanderkarte mit rettungspunkten in zusammenarbeit mit dem zweckverband naturpark taunus rundwanderwege mit beschreibung auf der rückseite gw rheingau taunus kartographie 8 50 versandkostenfrei in deutschland ab 20 bestellwert incl mwst

radfahren taunus info - Nov 06 2022

web der hessische radfernweg r 8 führt durch den westen von hessen von nord nach süd geht es auf 294 kilometern durch rund ein dutzend landkreise und kreisfreie städte die tour startet in frankenberg das ziel ist heppenheim im norden hessens radelt man auf dem radfernweg recht einsam durch taler

406 naturpark taunus nord rad und wanderkarte by gw rheingau taunus - Apr 30 2022

web 406 naturpark taunus nord rad und wanderkarte by gw rheingau taunus kartographie über 30 000 wandertouren und wanderwege in den schönsten june 2nd 2020 über 40 000 wandertouren auf der ganzen welt bild blick über das chiemsee alpenland so einfach finden sie deutschland

406 naturpark taunus nord rad und wanderkarte by gw rheingau taunus - Feb 26 2022

web neue rad und wanderkarte naturpark lahn dill bergland 406 naturpark taunus nord 1 40 000 rad und wanderkarte prospekte und karten naturpark lahn dill bergland

406 naturpark taunus nord rad und wanderkarte by gw rheingau taunus - Jul 02 2022

web may 22nd 2020 weilmünster wanderkarte gt 406 naturpark taunus nord 1 40 000 rad und wanderkarte mit rettungspunkten in zusammenarbeit mit dem zweckverband naturpark taunus rundwanderwege mit beschreibung auf

die 20 schönsten fahrradtouren im taunus komoot - Feb 09 2023

web radfahren im taunus ist wohl die schönste art diese ecke regierungsbezirk gießen zu erkunden damit du die perfekte radroute im taunus findest haben wir alle unsere fahrrad touren bewertet und für dich die top 20 hier zusammengefasst klick auf eine tour um alle details zu sehen und schau dir die tips und fotos von mitgliedern der

radwege taunus info - Jan 08 2023

web der hessische radfernweg r 8 führt durch den westen von hessen von nord nach süd geht es auf 294 kilometern durch rund ein dutzend landkreise und kreisfreie städte die tour startet in frankenberg das ziel ist heppenheim im norden hessens radelt man auf dem radfernweg recht einsam durch täler 16 9km307hm

406 naturpark taunus nord rad und wanderkarte by gw rheingau taunus - Aug 15 2023

web 406 naturpark taunus nord rad und wanderkarte by gw rheingau taunus kartographie 220 wanderwege und jeder ist anders als der andere der naturpark taunus das ist die heimat von rund 220 wanderwegen die sich über eine gesamtlänge von stolzen 1