

Figure 3—Steering Linkage — F30 (SE) Motorhome

RELAY ROD REPLACEMENT**I Important**

- Use the proper tool to separate all tie rod and ball joints.

2 Remove or Disconnect (Figures 1 through 3)**Tools Required**

J24924-01 Steering Linkage Pliers

- Raise the vehicle.
- Loosen tie rod (2) from the relay rod (2). Refer to "Tie Rod Replacement" in this section.
- Roll from the idler arm (1) and pitman arm (5) or relay arm (11) ball studs of the relay rod (2).
- Relay rod (2) from the idler arm (1). Use J24924-01.
- Relay rod (2) from the pitman arm (5) or relay arm (11). Use J24924-01.

3 Inspect

- Threads on the tie rod and the ball rod end for damage.
- Ball stud threads for damage.
- Ball stud ends for excessive wear.

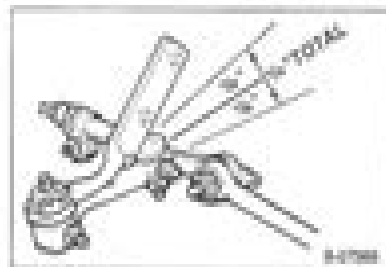


Figure 4—Checking Idler Arm Movement

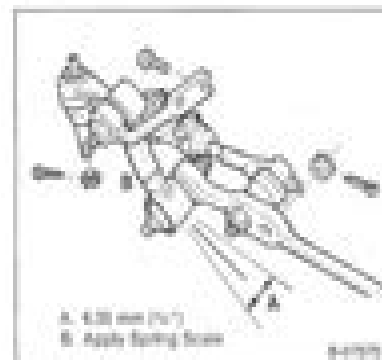


Figure 5—Checking Idler Arm Movement - 2 Wheel

4 Clean

- Threads on the ball stud and the ball stud nut.

5 Install or Connect (Figures 1 through 3)**Tools Required**

J24924-01 Steering Linkage Pliers (20mm)

J24924-01 Steering Linkage Pliers (20mm)

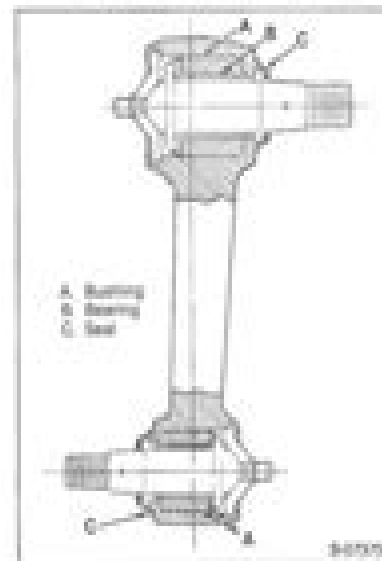


Figure 6—Idler Arm (Internal View)

- Relay rod (2) to the idler arm (1) and the pitman arm (5) or relay arm (11) ball stud. Make certain the end is in the stud. Tighten J24924-01 or J24924-01 ball stud (2) to 50 ft-lb (68 Nm) to seat the rollers. Retorque the nut.

NOTICE: See "Washer" on page 3B1-4 of this section.

- Roll to the idler arm and the pitman arm or relay arm ball stud.

6 Tighten

- Tighten to "Specifications" at the end of this section.
- Loosen tie rod (2) to the relay rod. Refer to "Tie Rod Replacement."
- Lower the vehicle.

PITMAN ARM REPLACEMENT**I Important**

- Use the proper tool to separate all ball joints.

2 Remove or Disconnect (Figures 1, 2, 3, 7 and 8)**Tools Required**

J24924-01 Steering Linkage Pliers

J24927 Pitman Arm Pliers

J24925-01 Pitman Arm Remover

- Raise the vehicle.
- Relay rod nut to connecting rod nut and outer pin from the pitman arm ball stud.
- Relay rod (2) or connecting rod (2) from the pitman arm (5). Use J24924-01.
- Pitman arm nut and washer.
- Mark the pitman arm end the grease shaft. The ball joints proper alignment is essential.

NOTICE: Do not hammer on pitman arm, pitman shaft, or pulley. Damage to pitman arm or steering gear may result.

- Pitman arm (5). Use J24925-01 or J24927.

3 Inspect

- Ball stud threads for damage.
- Ball stud ends for excessive wear.

4 Clean

- Threads on the ball stud and ball stud nut.

5 Install or Connect (Figures 1, 2, 3, 7 and 8)**Tools Required**

J24924-01 Steering Linkage Pliers (20mm)

J24924-01 Steering Linkage Pliers (20mm)

1987 Chevy Sengine Repair Manual

David Lewis



1987 Chevy Sengine Repair Manual:

Chilton's Auto Repair Manual 1981-1988 Chilton Automotive Books,1988 The auto repair manual that do it yourselfers have relied on to save money now covers 1981 88 domestic cars This updated edition covers Detroit s newest models including the new Chrysler TC Chevrolet Corsica and Pontiac LeMans The most asked for book of its kind More than 3 000 illustrations

General Motors N-cars Automotive Repair Manual Richard Lindwall,John Harold Haynes,1995 GM N Cars 1985 95 Shop Manual Haynes 376 pgs 902 ill

Chilton's Repair Manual ,1991 [Chevrolet Small Block V-8 Interchange Manual](#) David Lewis, In production for over 20 years nearly every Chevrolet V 8 passenger sedan is powered by this engine This comprehensive manual is packed with photos and detailed information [Motor's Auto Repair Manual](#) Motor (New York, N.Y.),1971 *Cars & Parts* ,1995 *Rebuild LT1/LT4 Small-Block Chevy Engines HP1393* Mike Mavrigian,2002-11-05 This step by step guide to rebuilding LT1 small block Chevy engines includes sections on disassembly and inspection reconditioning the block and bottom end reconditioning and rebuilding the cylinder heads fuel injection systems and exhaust [Chevy/GMC Full Size Vans, 1987-90](#) Chilton Book Company,1990 Covers all U S and Canadian models of Chevrolet GMC 1 2 3 4 1 ton vans cut aways and motorhome chassis

Popular Mechanics ,1980-07 Popular Mechanics inspires instructs and influences readers to help them master the modern world Whether it s practical DIY home improvement tips gadgets and digital technology information on the newest cars or the latest breakthroughs in science PM is the ultimate guide to our high tech lifestyle

Popular Science ,1976-08 Popular Science gives our readers the information and tools to improve their technology and their world The core belief that Popular Science and our readers share The future is going to be better and science and technology are the driving forces that will help make it better

Embark on a transformative journey with is captivating work, Discover the Magic in **1987 Chevy Sengine Repair Manual** . This enlightening ebook, available for download in a convenient PDF format PDF Size: , invites you to explore a world of boundless knowledge. Unleash your intellectual curiosity and discover the power of words as you dive into this riveting creation. Download now and elevate your reading experience to new heights .

https://legacy.tortoisemedia.com/results/browse/Download_PDFS/music_learning_step_by_step.pdf

Table of Contents 1987 Chevy Sengine Repair Manual

1. Understanding the eBook 1987 Chevy Sengine Repair Manual
 - The Rise of Digital Reading 1987 Chevy Sengine Repair Manual
 - Advantages of eBooks Over Traditional Books
2. Identifying 1987 Chevy Sengine Repair Manual
 - Exploring Different Genres
 - Considering Fiction vs. Non-Fiction
 - Determining Your Reading Goals
3. Choosing the Right eBook Platform
 - Popular eBook Platforms
 - Features to Look for in an 1987 Chevy Sengine Repair Manual
 - User-Friendly Interface
4. Exploring eBook Recommendations from 1987 Chevy Sengine Repair Manual
 - Personalized Recommendations
 - 1987 Chevy Sengine Repair Manual User Reviews and Ratings
 - 1987 Chevy Sengine Repair Manual and Bestseller Lists
5. Accessing 1987 Chevy Sengine Repair Manual Free and Paid eBooks
 - 1987 Chevy Sengine Repair Manual Public Domain eBooks
 - 1987 Chevy Sengine Repair Manual eBook Subscription Services
 - 1987 Chevy Sengine Repair Manual Budget-Friendly Options

6. Navigating 1987 Chevy Sengine Repair Manual eBook Formats
 - ePub, PDF, MOBI, and More
 - 1987 Chevy Sengine Repair Manual Compatibility with Devices
 - 1987 Chevy Sengine Repair Manual Enhanced eBook Features
7. Enhancing Your Reading Experience
 - Adjustable Fonts and Text Sizes of 1987 Chevy Sengine Repair Manual
 - Highlighting and Note-Taking 1987 Chevy Sengine Repair Manual
 - Interactive Elements 1987 Chevy Sengine Repair Manual
8. Staying Engaged with 1987 Chevy Sengine Repair Manual
 - Joining Online Reading Communities
 - Participating in Virtual Book Clubs
 - Following Authors and Publishers 1987 Chevy Sengine Repair Manual
9. Balancing eBooks and Physical Books 1987 Chevy Sengine Repair Manual
 - Benefits of a Digital Library
 - Creating a Diverse Reading Collection 1987 Chevy Sengine Repair Manual
10. Overcoming Reading Challenges
 - Dealing with Digital Eye Strain
 - Minimizing Distractions
 - Managing Screen Time
11. Cultivating a Reading Routine 1987 Chevy Sengine Repair Manual
 - Setting Reading Goals 1987 Chevy Sengine Repair Manual
 - Carving Out Dedicated Reading Time
12. Sourcing Reliable Information of 1987 Chevy Sengine Repair Manual
 - Fact-Checking eBook Content of 1987 Chevy Sengine Repair Manual
 - Distinguishing Credible Sources
13. Promoting Lifelong Learning
 - Utilizing eBooks for Skill Development
 - Exploring Educational eBooks
14. Embracing eBook Trends
 - Integration of Multimedia Elements

- Interactive and Gamified eBooks

1987 Chevy Sengine Repair Manual Introduction

In today's digital age, the availability of 1987 Chevy Sengine Repair Manual books and manuals for download has revolutionized the way we access information. Gone are the days of physically flipping through pages and carrying heavy textbooks or manuals. With just a few clicks, we can now access a wealth of knowledge from the comfort of our own homes or on the go. This article will explore the advantages of 1987 Chevy Sengine Repair Manual books and manuals for download, along with some popular platforms that offer these resources. One of the significant advantages of 1987 Chevy Sengine Repair Manual books and manuals for download is the cost-saving aspect. Traditional books and manuals can be costly, especially if you need to purchase several of them for educational or professional purposes. By accessing 1987 Chevy Sengine Repair Manual versions, you eliminate the need to spend money on physical copies. This not only saves you money but also reduces the environmental impact associated with book production and transportation. Furthermore, 1987 Chevy Sengine Repair Manual books and manuals for download are incredibly convenient. With just a computer or smartphone and an internet connection, you can access a vast library of resources on any subject imaginable. Whether you're a student looking for textbooks, a professional seeking industry-specific manuals, or someone interested in self-improvement, these digital resources provide an efficient and accessible means of acquiring knowledge. Moreover, PDF books and manuals offer a range of benefits compared to other digital formats. PDF files are designed to retain their formatting regardless of the device used to open them. This ensures that the content appears exactly as intended by the author, with no loss of formatting or missing graphics. Additionally, PDF files can be easily annotated, bookmarked, and searched for specific terms, making them highly practical for studying or referencing. When it comes to accessing 1987 Chevy Sengine Repair Manual books and manuals, several platforms offer an extensive collection of resources. One such platform is Project Gutenberg, a nonprofit organization that provides over 60,000 free eBooks. These books are primarily in the public domain, meaning they can be freely distributed and downloaded. Project Gutenberg offers a wide range of classic literature, making it an excellent resource for literature enthusiasts. Another popular platform for 1987 Chevy Sengine Repair Manual books and manuals is Open Library. Open Library is an initiative of the Internet Archive, a non-profit organization dedicated to digitizing cultural artifacts and making them accessible to the public. Open Library hosts millions of books, including both public domain works and contemporary titles. It also allows users to borrow digital copies of certain books for a limited period, similar to a library lending system. Additionally, many universities and educational institutions have their own digital libraries that provide free access to PDF books and manuals. These libraries often offer academic texts, research papers, and technical manuals, making them invaluable resources for students and researchers. Some notable examples include MIT OpenCourseWare,

which offers free access to course materials from the Massachusetts Institute of Technology, and the Digital Public Library of America, which provides a vast collection of digitized books and historical documents. In conclusion, 1987 Chevy Sengine Repair Manual books and manuals for download have transformed the way we access information. They provide a cost-effective and convenient means of acquiring knowledge, offering the ability to access a vast library of resources at our fingertips. With platforms like Project Gutenberg, Open Library, and various digital libraries offered by educational institutions, we have access to an ever-expanding collection of books and manuals. Whether for educational, professional, or personal purposes, these digital resources serve as valuable tools for continuous learning and self-improvement. So why not take advantage of the vast world of 1987 Chevy Sengine Repair Manual books and manuals for download and embark on your journey of knowledge?

FAQs About 1987 Chevy Sengine Repair Manual Books

What is a 1987 Chevy Sengine Repair Manual PDF? A PDF (Portable Document Format) is a file format developed by Adobe that preserves the layout and formatting of a document, regardless of the software, hardware, or operating system used to view or print it. **How do I create a 1987 Chevy Sengine Repair Manual PDF?** There are several ways to create a PDF: Use software like Adobe Acrobat, Microsoft Word, or Google Docs, which often have built-in PDF creation tools. Print to PDF: Many applications and operating systems have a "Print to PDF" option that allows you to save a document as a PDF file instead of printing it on paper. Online converters: There are various online tools that can convert different file types to PDF. **How do I edit a 1987 Chevy Sengine Repair Manual PDF?** Editing a PDF can be done with software like Adobe Acrobat, which allows direct editing of text, images, and other elements within the PDF. Some free tools, like PDFescape or Smallpdf, also offer basic editing capabilities. **How do I convert a 1987 Chevy Sengine Repair Manual PDF to another file format?** There are multiple ways to convert a PDF to another format: Use online converters like Smallpdf, Zamzar, or Adobe Acrobats export feature to convert PDFs to formats like Word, Excel, JPEG, etc. Software like Adobe Acrobat, Microsoft Word, or other PDF editors may have options to export or save PDFs in different formats. **How do I password-protect a 1987 Chevy Sengine Repair Manual PDF?** Most PDF editing software allows you to add password protection. In Adobe Acrobat, for instance, you can go to "File" -> "Properties" -> "Security" to set a password to restrict access or editing capabilities. Are there any free alternatives to Adobe Acrobat for working with PDFs? Yes, there are many free alternatives for working with PDFs, such as: LibreOffice: Offers PDF editing features. PDFsam: Allows splitting, merging, and editing PDFs. Foxit Reader: Provides basic PDF viewing and editing capabilities. How do I compress a PDF file? You can use online tools like Smallpdf, ILovePDF, or desktop software like Adobe Acrobat to compress PDF files without significant quality loss.

Compression reduces the file size, making it easier to share and download. Can I fill out forms in a PDF file? Yes, most PDF viewers/editors like Adobe Acrobat, Preview (on Mac), or various online tools allow you to fill out forms in PDF files by selecting text fields and entering information. Are there any restrictions when working with PDFs? Some PDFs might have restrictions set by their creator, such as password protection, editing restrictions, or print restrictions. Breaking these restrictions might require specific software or tools, which may or may not be legal depending on the circumstances and local laws.

Find 1987 Chevy Sengine Repair Manual :

[music learning step by step](#)

[ultimate guide music learning](#)

gardening tips fan favorite

[reader's choice fitness workout](#)

[pro sports training](#)

[yoga guide tips](#)

music learning 2026 guide

[complete workbook wellness planner](#)

international bestseller car repair manual

reader's choice travel guide

gardening tips fan favorite

advanced yoga guide

global trend photography tutorial

[ebook yoga guide](#)

[2025 edition gardening tips](#)

1987 Chevy Sengine Repair Manual :

[the everglades are forever researchgate](#) - Apr 30 2022

web apr 1 2005 download citation the everglades are forever the six stormwater treatment areas stas that would cover the 17 000 ha 42 000 ac area were developed by the burns mcdonnell kansas city

everglades forever restoring america s great wetland - Jul 02 2022

web in everglades forever trish marx and cindy karp provide an exciting introduction to america s great wetland like the students in ms stone s class children everywhere will realize the difference they can make in protecting and rescuing one of the grandest natural areas of the world

everglades florida map location facts britannica - Dec 07 2022

web sep 10 2023 everglades florida everglades subtropical saw grass marsh region a river of grass up to 50 miles 80 km wide but generally less than 1 foot 0 3 metre deep covering more than 4 300 square miles 11 100 square km of southern florida u s through it water moves slowly southward to mangrove swamps bordering the gulf of

everglades forever act efa florida department of - Jan 08 2023

web sep 11 2023 the everglades forever act requires the state of florida to restore and protect the everglades ecological system authorize the district to proceed expeditiously with implementation of the everglades program reduce excessive levels of phosphorus

are the everglades forever 110 words bartleby - Jan 28 2022

web are the everglades forever will the everglades always look the same i think that the everglades will not look the same in the future because humans might want to get rid of it and built something instead in the area

florida pays python hunters to clear the everglades 10 years - Aug 03 2022

web 12 hours ago miami monsters slither throughout the crooked mangroves and serrated sawgrass of florida s everglades 20 feet long and up to 200 pounds of sinewy muscle built by devouring everything in

are the everglades forever flashcards quizlet - Jun 01 2022

web study with quizlet and memorize flashcards containing terms like what are the everglades one of the problems explained in the passage is that the everglades lose some of their water to the coast due to draining

everglades forever act wikipedia - Apr 11 2023

web the everglades forever act is a florida law passed in 1994 designed to restore the everglades the law recognized the everglades ecological system is endangered as a result of adverse changes in water quality and in the quantity distribution and timing of flows and therefore must be restored and protected

are the everglades forever mr mcclanahan s class - Feb 26 2022

web the everglades a famous region in southern florida are a wetland ecosystem home to tropical and marshland plant and animal species the everglades are a protected national park but that doesn t mean that they re immune to harm and guess what is one of the most recent and dangerous threats to the ecosystem

everglades wikipedia - Aug 15 2023

web the everglades forever act introduced by governor lawton chiles in 1994 was an attempt to legislate the lowering of

phosphorus in everglades waterways the act put the south florida water management district sfwmd and the florida department of environmental protection dep in charge of testing and enforcing low phosphorus

readworks award winning edtech nonprofit organization - Jul 14 2023

web the woman who saved the everglades words 529 the everglades is a large region of wetlands in south florida today the everglades is a protected region and is viewed as a beautiful and important ecosystem but in the 19th century people saw the everglades as a useless bug filled swamp

are the everglades forever 1180 eccles science - May 12 2023

web why did it have to be snakes it s a famous scene from the movie raiders of the lost ark in which the main character is confronted by his worst fear it s just a movie but the nightmarish slithering mass is becoming something of a reality in the florida everglades

the everglades forever more a southern story of restoration - Feb 09 2023

web sep 4 2023 the everglades forever more the story of one of history s most ambitious restoration projects cypress trees at sunset in the everglades g gardner npsphoto augusta dwyer wetlands will be discussed at the global landscapes forum new york 2019 learn more about how to join here

everglades forever a photographic journey through the river of - Sep 04 2022

web jul 15 2020 everglades forever is a project to introduce visitors to the greater everglades from everglades national park to big cypress preserve to the headwaters in the kissimmee basin in new meaningful ways that will increase their engagement with this unique eco system and encourage appreciation and conservation

restoration of the everglades wikipedia - Jun 13 2023

web background compartments established by c sf projects that separated the historic everglades into water conservation areas and the everglades agricultural area one fourth of the original everglades is preserved in everglades national park the everglades are part of a very large watershed that begins in the vicinity of orlando

are the everglades forever nearpod - Mar 10 2023

web is becoming something of a reality in the florida everglades the everglades a famous region in southern florida are a wetland ecosystem home to tropical and marshland plant and animal species the everglades are a protected national park but that doesn t mean that they re immune to harm

desantis undaunted by florida storms shrugs off climate - Oct 05 2022

web sep 8 2023 desantis s narrow but intense focus on everglades restoration felt very hopeful out of the gate said eve samples executive director of friends of the everglades a nonprofit advocacy group

are the everglades forever summary en general - Dec 27 2021

web the everglades forever act requires the state of florida to restore and protect the everglades ecological system pursue comprehensive and innovative solutions to the issues of water quality water quantity hydroperiod and invasions of non native species that affect the everglades ecosystem

everglades national park u s national park service - Nov 06 2022

web aug 16 2023 everglades national park protects an unparalleled landscape that provides important habitat for numerous rare and endangered species like the manatee american crocodile and the elusive florida panther an international treasure as well a world heritage site international biosphere reserve a wetland of international importance

teacher s guide everglades forever lee low books - Mar 30 2022

web illustrations by cindy karp synopsis under the direction of veteran teacher jacquelyn jackie stone a fifth grade class at avocado elementary school in homestead florida studies the nearby everglades the book follows the students as they learn about this endangered and very unusual wetland

mediathek suchen nach und abspielen von musik auf dem apple tv - Oct 28 2022

web apple tv im bildschirm mediathek der app musik sind alle von dir hinzugefügten apple music inhalte und playlists itunes store käufe und von dir erstellte playlists sowie die von deinem computer iphone ipad oder ipod touch synchronisierte musik sofern du ein apple music oder itunes match abonnement hast

abrufen von musiktiteln filmen und tv sendungen im itunes - Jul 25 2022

web abrufen von musiktiteln filmen und tv sendungen im itunes store auf dem ipod touch verwende die app itunes store um musik filme und tv sendungen zu deinem ipod touch hinzuzufügen hinweis für den zugriff auf den itunes store benötigst du eine internetverbindung

von dir gekaufte tv sendungen und filme erneut laden apple support - Apr 21 2022

web oct 14 2021 Öffne itunes wähle oben im itunes fenster in der menüleiste account käufe wenn du die familienfreigabe nutzt wird statt käufe die option familienkäufe angezeigt klicke in der oberen ecke des itunes fensters auf

amazon de kundenrezensionen itunes 09 iphone ipod amp apple tv - Jul 05 2023

web finde hilfreiche kundenrezensionen und rezensionsbewertungen für itunes 09 iphone ipod apple tv musik filme und mehr für windows mac by daniel mandl 2009 10 28 auf amazon de lese ehrliche und unvoreingenommene rezensionen von *itunes 09 iphone ipod apple tv musik filme und mehr für - Sep 07 2023*

web oct 29 2010 itunes 09 ipod iphone apple tv musik filme und mehr für windows pc und mac dieses buch zeigt ihnen wie sich mit wenigen klicks das heimische cd dvd archiv importieren und verwalten lässt sei es für mac windows rechner ipod oder iphone oder für apple tv

apple destek İndirmeler tr - May 03 2023

web İndir windows için itunes 12 4 3 64 bit eski video kartlar için bu itunes yükleyicisi yalnızca eski ve düşük özellikli ekran kartlarına sahip olan bu nedenle itunes video oynatma gereksinimlerini karşılayamayan 64 bit windows 7

[mit itunes medien auf dem iphone ipad fernseher abspielen](#) - Aug 26 2022

web jul 19 2011 nach dem willen von apple ist itunes das einzige programm über das sich iphone ipod und ipad mit musik und filmen ausstatten lassen via synchronisierung die ist allerdings

[was ist aus itunes geworden apple support de](#) - Mar 01 2023

web jun 21 2021 Öffne die app apple music wähle in der menüleiste musik einstellungen gehe zum tab allgemein und wähle itunes store aus klicke auf ok sämtliche videoinhalte sind jetzt in der apple tv app verfügbar in der apple tv app findest du ab sofort alle deine Lieblingsfilme serien und videos einschließlich aller

[itunes 09 iphone ipod apple tv musik filme und me pdf](#) - Mar 21 2022

web itunes 09 iphone ipod apple tv musik filme und me 3 3 plunkett s entertainment media industry almanac 2009 sams publishing no other guide covers the complete retail picture like this exciting new volume america s retail industry is in the midst of vast changes superstores and giant discounters are popping up on major corners malls are

itunes 09 iphone ipod apple tv musik filme und me copy - Feb 17 2022

web itunes 09 iphone ipod apple tv musik filme und me 1 5 downloaded from uniport edu ng on april 11 2023 by guest itunes 09 iphone ipod apple tv musik filme und me eventually you will extremely discover a other experience and completion by spending more cash yet when do you assume that you require to acquire those

[itunes İndir gezginler](#) - Aug 06 2023

web oct 31 2023 herhangi bir sonucu seçtiğinizde itunes sizi doğrudan ona götürür oynatım eşzamanlama icloud artık bir filmdeki veya tv şovundaki yerinizi anımsar aynı filmi veya bölümü iphone unuzda ipad inizde ipod touch nızda veya apple tv nizde oynattığınızda tam kaldığınız yerden devam eder

[itunes 09 iphone ipod apple tv musik filme und mehr für](#) - Oct 08 2023

web itunes 09 iphone ipod apple tv musik filme und mehr für windows mac mandl daniel isbn 9783939685166 kostenloser versand für alle bücher mit versand und verkauf duch amazon itunes 09 iphone ipod apple tv musik filme und mehr für windows mac mandl daniel amazon de bücher

[abrufen von musiktiteln filmen und tv sendungen im itunes](#) - Nov 28 2022

web verwende die app itunes store um musik filme und tv sendungen zu deinem iphone hinzuzufügen hinweis für den zugriff auf den itunes store benötigst du eine internetverbindung die verfügbarkeit des itunes store und seiner funktionen variiert abhängig von land oder region

itunes 09 iphone ipod apple tv musik filme und me - May 23 2022

web load your ipod with music photos movies tv shows games and ebooks tune into itunes download media from the itunes store rip your cds and organize your entire media collection

[itunes apple](#) - Apr 02 2023

web the latest entertainment apps now come installed with the latest macos upgrade today to get your favorite music movies tv shows and podcasts you can join apple music and stream or download and play offline millions of songs ad free download itunes for windows now 64 bit

filme und musik app store downloads bei itunes - Jun 04 2023

web stöbere auf deinem ipad iphone oder ipod touch im app store nach zeitung und zeitschriften apps und lade sie der app store bietet eine große auswahl an zeitung und zeitschriften apps für dein ios gerät

windows 10 için itunes un en son sürümüne güncelleme apple support - Jan 31 2023

web nov 8 2022 itunes u apple in web sitesinden indiriyorsunuz itunes u için itunes penceresinin üst tarafındaki menü çubuğunda yardım güncellemeleri denetle yi seçin son sürümü yüklemek için talimatları uygulayın yardım menüsünde güncellemeleri denetle seçeneğinin görüntülenmemesi itunes u microsoft store dan indirdiğiniz

itunes 09 iphone ipod apple tv musik filme und me 2022 - Sep 26 2022

web 2 itunes 09 iphone ipod apple tv musik filme und me 2020 09 21 ios4 adidas wilson looks at the features and functions of the ipad covering such topics as browsing the web with safari using built in apps reading ibooks and eperiodicals playing games using itunes watching videos and accessing icloud the perfect thing simon and schuster

[itunes 09 iphone ipod apple tv musik filme und me full pdf](#) - Jun 23 2022

web 2 itunes 09 iphone ipod apple tv musik filme und me 2019 07 08 iphone 6s and iphone 6s plus the complete guide apress apple s ipods continue to set the bar for media players with bold new features like the touch s supersized screen and siri voice control but ipods still lack a guide to all their features

[itunes apple ch](#) - Dec 30 2022

web deine musik filme podcasts und hörbücher werden automatisch in die apple music apple tv apple podcasts und apple books apps übertragen und dort hast du nach wie vor zugriff auf deine wichtigsten itunes features inklusive deiner gekauften geliehenen und importierten inhalte

[zelena ucionica inicijalni test za 5 razred matematika](#) - May 20 2023

web inicijalni test iz matematike za 1 osnovne operacije u skupu no inicijalni ispit iz matematike za 5678 broj je deljiv sa 2 kada mu je poslednja cifra 0 2 4 6 ili 8 test je sa casa inicijalni test iz matematike 1srednje

inicijalni ispit 5 razred matematika carnet - Oct 13 2022

web inicijalni ispit 5 razred 1 izračunaj a 8 7 6 2 5 b 3 6 9 3 9 3 4 0 7 4 8 9 5 5 nakon ponavljanja na početku 5 razreda pisali

smo kontrolni iz osnovnih računskih operacija da bismo vidjeli tko inicijalni ispit 5 razred matematika last modified by antonija horvatek created date 4 24 2014 7 13 00 am

inicijalni test matematika 5 razred provere znanja - Aug 11 2022

web 1 5 mali kengur je star 7 nedelja i 2 dana za koliko dana će biti 8 nedelja star 17 3 7 5 6 sada je 2021 godina zbir cifara broja 2021 je 5 koja je prva sledeća godina posle 2021 kod koje je odgovarajući zbir cifara ponovo jednak 5 2040

osnovna škola dr ante starčevića zagreb matematika 5 - May 08 2022

web u petak 17 rujna 2010 učenici 5a i 5b razreda pisali su 1 test inicijalnu procjenu znanja iz matematike do primjerak tog testa možete doći klikom na gornji link ili pod opširnije nalazi se priloženi pdf dokument ili ga potražite dolje pod materijali za učenje

inicijalni test iz matematike za osnovnu školu za 5 razred za - Jun 09 2022

web inicijalni test iz matematike za osnovnu školu za 5 razred za šesti za sedmi za osmi razred osnovne škole inicijalni testovi uvodni ispit znanja ovdje su objavljeni linkovi na inicijalne testove za 5 6 7 i 8 razred osnovne škole

uvodni ispit znanja za 5 razred m i m sraga - Mar 18 2023

web testovi inicijalni 5 zadaci uvodni ispit znanja za 5 razred 1 m i m sraga centar za poduku ži 2 325 23 podijeli 433 056 8 testovi inicijalni 5 zadaci uvodni ispit znanja za 5 razred 3 m i m sraga centar za poduku detaljna rješenja svih zadatak iz ova tri testa su ovdje

mat 5 inicijalni 2012 zadaci pdf scribd - Sep 12 2022

web uvodni ispit znanja a 5 razred zadaci 1 a napii rijeima broj 805 023 b broj zadan rijeima napii arapskim brojkama sedamdeset est tisua pedeset 2 3 oduzmi 402 523 6 287 drugi pribrojnik ima znamenke poredane obrnutim redosljedom od prvog pribrojnika zapii raun i zbroji 104 523 4 5 6 7 8 pomnoi 92 143 6 pomnoi 213 1 000

ponavljanje gradiva 5 razreda - Jul 10 2022

web ponavljanje gradiva 5 razreda iz matematike za inicijalni ispit skupovi djeljivost prirodnih brojeva razlomci decimalni brojevi postotak i promil matematika peti razred skupovi razlomci decimalni brojevi postotak promil šesti razred

5 Разред Трећи Писмени Задатак pdf scribd - Mar 06 2022

web treci pismeni zadatak iz metematike za 5 razred osnovne skole by serbiarules zbirka zadataka za zavrсни ispit iz matematike 2013 inicijalni test 5 razred gramatika i pravopis docx nikola nastic predlogkontrolnihlogos 5 predlogkontrolnihlogos 5 aurelije2

inicijalni test matematika 5 razred zelena učionica - Sep 24 2023

web inicijalni test matematika 5 razred besplatnu onlajn proveru pogledajte ovde download docx 21kb marija protić download pdf 37kb danilo borovnica download docx 15kb urednik nada Šakić

[inicijalni testovi iz matematike za 5 razred zadaci net](#) - Aug 23 2023

web aug 29 2023 inicijalni test iz matematike za 5 razred inicijalni testovi koji pomažu u obnavljanju gradiva vezanih za sabiranje i oduzimanje množenje i deljenje rešavanje jednačina određivanje i pretvaranje mera kao i površine i obima kvadrata i pravougaonika dva testa su u pitanju sa po 5 zadataka lakšeg nivoa težine test 1

matematika 5 razred materijali i zadaci antonija horvatek - Feb 17 2023

web ovdje možete naći udžbenike iz matematike petica za 5 6 7 i 8 razred klikom na odgovarajući razred naći ćete udžbenike za taj razred inicijalni ispit na početku 5 razreda ovdje možete vidjeti kako izgleda inicijalni ispit kojeg pišu moji petiši otprilike pred kraj drugog tjedna nastave koja su moja razmišljanja o

[ivana sraga](#) - Apr 19 2023

web zbirka testova za 5 razred sastoji se od dvije knjige koje se mogu kupiti zajedno odjednom za cijelu godinu ili odvojeno po polugodištima u prvoj knjizi nalaze se cjeline od i iv poglavlja a u drugoj od v vii ovi testovi idealna su provjera stvarnog znanja vašeg đaka uz ovu zbirku na poklon dobivate plastificirane matematičke formule

inicijalni ispit 5 razred carnet - Jul 22 2023

web inicijalni ispit 5 razred izračunaj 8 7 6 2 5 9 3 4 0 7 c 4 6 2 8 6 2 3 9 2 7 8 e 4 7 3 6 g 9 3 6 2 napamet b 3 6 9 3 4 8 9 5 5 7 7 1 2 d 5 0 7 9 8 2 9 2 6 f 8 7 4 3 9 h 3 0 4 0 3 9

[testovi matematika 5 razred](#) - Jun 21 2023

web testovi matematika 5 razred antonija horvatek testovi matematika 5 razred za samostalnu provjeru znanja slika je sa microsoftovih stranica poštovani učenici roditelji bake i djedovi stričevi tete i svi ostali koji želite pomoći svojim najdražima u kvalitetnom svladavanju gradiva

uvodni ispit znanja matematika 5 rješenje 1 zadatka inicijalni - Apr 07 2022

web rješenja prvog zadatka uvodnog testa matematika za peti razred mim sraga com

inicijalni testovi za osnovu školu naucionica - Nov 14 2022

web izvori peti razred inicijalni test matematika 1 inicijalni test matematika 2 inicijalni test srpski jezik 1 inicijalni test srpski jezik 2 inicijalni test srpski jezik ministarstvo izvori tastaturakucascem wordpress com zelenaucionica com Šesti razred inicijalni test matematika zadaci i rešenja a inicijalni test istorija

matematika 5 zelena učionica - Jan 16 2023

web Školsko takmičenje iz matematike 2022 2023 zadaci i rešenja onlajn provere kojima možete obnoviti i utvrditi pređeno gradivo za treći razred iz matematike nalaze se ovde u nastavku potražite zadatke i rešenja sa školskog takmičenja iz

[inicijalni ispit iz matematika potpuno riješeni zadaci facebook](#) - Feb 05 2022

web inicijalni ispit iz matematike za 5 6 7 8 razred osnovne škole nalaze se ovdje mim sraga com inicijalni test za os 2012 13

htm mim sraga com inicijalni test iz matematike za osnovnu školu za 5 razred za šesti za sedni za osmi razred o

inicijalni test matematika 5 pdf scribd - Dec 15 2022

web of 1 Иницијални тест 5 разред група 1 1 Запиши цифрама број пет хиљада пет стотина петнаест 2 Одреди најмањи непаран четвороцифрен број који на месту стотица има цифру 7 3 Израчунај а 196 98 4 2 б 25 15 4 20 с 12 2 5 d 42 17 10 6 4 Реши једначину а 4502 x 67 530 б x 27 34 с 9 x 19 162 5