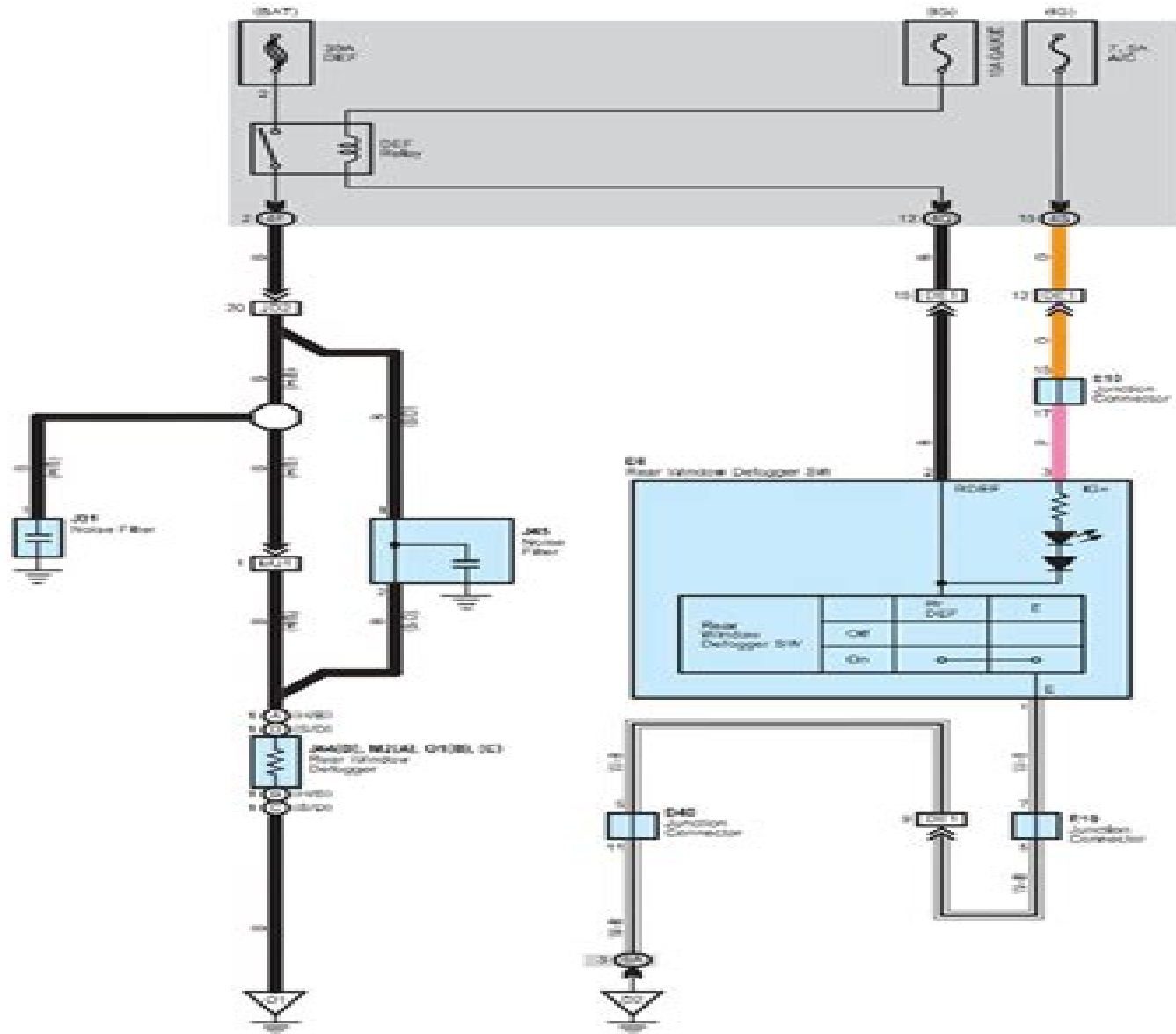


Rear Window Defogger



2007 Yaris Electrical Wiring Diagram

Toyota Jidōsha Kabushiki Kaisha



2007 Yaris Electrical Wiring Diagram:

Toyota Prius ,2007 **Toyota Electrical Wiring Diagram for U.S.A. & Canada** Toyota Jidōsha Hanbai Kabushiki Kaisha,1976 Toyota Electrical Wiring Diagram Toyota Jidōsha Hanbai Kabushiki Kaisha,1980 Toyota Starlet Electrical Wiring Diagram Toyota Jidōsha Kabushiki Kaisha. Overseas Service Department,1985 **Toyota Electrical Wiring Diagram** ,1982 *Toyota Rav 4* Toyota Motor Corporation,1994 *Toyota Electrical Wiring Diagram, Starlet, 1983 Model* ,1982 *Toyota Electrical Wiring Diagram* Toyota Jidōsha Hanbai Kabushiki Kaisha,1981 *Toyota Electrical Wiring Diagram* Toyota Jidōsha Hanbai Kabushiki Kaisha,1980 **Toyota Electrical Wiring Diagram** Toyota Jidōsha Kōgyō Kabushiki Kaisha,1985 Toyota electrical wiring diagram, 1978 , *Toyota Celica Electrical Wiring Diagram* ,1982 Toyota Starlet Electrical Wiring Diagram ,1998 *Toyota Electrical Wiring Diagram* ,1983 **Toyota Electrical Wiring Diagram** Toyota Jidōsha Kabushiki Kaisha,1987 **Toyota Camry Electrical Wiring Diagram** Toyota Jidōsha Kabushiki Kaisha,19?? **Toyota Corolla FF Electrical Wiring Diagram** ,1983 *Toyota Electrical Wiring Diagram* ,1989 **Toyota Hiace electrical wiring diagram** ,19?? *Toyota Electrical Wiring Diagram* ,1976 This booklet contains electrical wiring diagrams for all commercial cars of Toyota vehicles except the U S A and Canada

Uncover the mysteries within Crafted by is enigmatic creation, Embark on a Mystery with **2007 Yaris Electrical Wiring Diagram** . This downloadable ebook, shrouded in suspense, is available in a PDF format (*). Dive into a world of uncertainty and anticipation. Download now to unravel the secrets hidden within the pages.

<https://legacy.tortoisemedia.com/data/uploaded-files/fetch.php/Step%20By%20Step%20Cooking%20Recipes.pdf>

Table of Contents 2007 Yaris Electrical Wiring Diagram

1. Understanding the eBook 2007 Yaris Electrical Wiring Diagram
 - The Rise of Digital Reading 2007 Yaris Electrical Wiring Diagram
 - Advantages of eBooks Over Traditional Books
2. Identifying 2007 Yaris Electrical Wiring Diagram
 - Exploring Different Genres
 - Considering Fiction vs. Non-Fiction
 - Determining Your Reading Goals
3. Choosing the Right eBook Platform
 - Popular eBook Platforms
 - Features to Look for in an 2007 Yaris Electrical Wiring Diagram
 - User-Friendly Interface
4. Exploring eBook Recommendations from 2007 Yaris Electrical Wiring Diagram
 - Personalized Recommendations
 - 2007 Yaris Electrical Wiring Diagram User Reviews and Ratings
 - 2007 Yaris Electrical Wiring Diagram and Bestseller Lists
5. Accessing 2007 Yaris Electrical Wiring Diagram Free and Paid eBooks
 - 2007 Yaris Electrical Wiring Diagram Public Domain eBooks
 - 2007 Yaris Electrical Wiring Diagram eBook Subscription Services
 - 2007 Yaris Electrical Wiring Diagram Budget-Friendly Options
6. Navigating 2007 Yaris Electrical Wiring Diagram eBook Formats

- ePub, PDF, MOBI, and More
 - 2007 Yaris Electrical Wiring Diagram Compatibility with Devices
 - 2007 Yaris Electrical Wiring Diagram Enhanced eBook Features
7. Enhancing Your Reading Experience
 - Adjustable Fonts and Text Sizes of 2007 Yaris Electrical Wiring Diagram
 - Highlighting and Note-Taking 2007 Yaris Electrical Wiring Diagram
 - Interactive Elements 2007 Yaris Electrical Wiring Diagram
 8. Staying Engaged with 2007 Yaris Electrical Wiring Diagram
 - Joining Online Reading Communities
 - Participating in Virtual Book Clubs
 - Following Authors and Publishers 2007 Yaris Electrical Wiring Diagram
 9. Balancing eBooks and Physical Books 2007 Yaris Electrical Wiring Diagram
 - Benefits of a Digital Library
 - Creating a Diverse Reading Collection 2007 Yaris Electrical Wiring Diagram
 10. Overcoming Reading Challenges
 - Dealing with Digital Eye Strain
 - Minimizing Distractions
 - Managing Screen Time
 11. Cultivating a Reading Routine 2007 Yaris Electrical Wiring Diagram
 - Setting Reading Goals 2007 Yaris Electrical Wiring Diagram
 - Carving Out Dedicated Reading Time
 12. Sourcing Reliable Information of 2007 Yaris Electrical Wiring Diagram
 - Fact-Checking eBook Content of 2007 Yaris Electrical Wiring Diagram
 - Distinguishing Credible Sources
 13. Promoting Lifelong Learning
 - Utilizing eBooks for Skill Development
 - Exploring Educational eBooks
 14. Embracing eBook Trends
 - Integration of Multimedia Elements
 - Interactive and Gamified eBooks

2007 Yaris Electrical Wiring Diagram Introduction

In the digital age, access to information has become easier than ever before. The ability to download 2007 Yaris Electrical Wiring Diagram has revolutionized the way we consume written content. Whether you are a student looking for course material, an avid reader searching for your next favorite book, or a professional seeking research papers, the option to download 2007 Yaris Electrical Wiring Diagram has opened up a world of possibilities. Downloading 2007 Yaris Electrical Wiring Diagram provides numerous advantages over physical copies of books and documents. Firstly, it is incredibly convenient. Gone are the days of carrying around heavy textbooks or bulky folders filled with papers. With the click of a button, you can gain immediate access to valuable resources on any device. This convenience allows for efficient studying, researching, and reading on the go. Moreover, the cost-effective nature of downloading 2007 Yaris Electrical Wiring Diagram has democratized knowledge. Traditional books and academic journals can be expensive, making it difficult for individuals with limited financial resources to access information. By offering free PDF downloads, publishers and authors are enabling a wider audience to benefit from their work. This inclusivity promotes equal opportunities for learning and personal growth. There are numerous websites and platforms where individuals can download 2007 Yaris Electrical Wiring Diagram. These websites range from academic databases offering research papers and journals to online libraries with an expansive collection of books from various genres. Many authors and publishers also upload their work to specific websites, granting readers access to their content without any charge. These platforms not only provide access to existing literature but also serve as an excellent platform for undiscovered authors to share their work with the world. However, it is essential to be cautious while downloading 2007 Yaris Electrical Wiring Diagram. Some websites may offer pirated or illegally obtained copies of copyrighted material. Engaging in such activities not only violates copyright laws but also undermines the efforts of authors, publishers, and researchers. To ensure ethical downloading, it is advisable to utilize reputable websites that prioritize the legal distribution of content. When downloading 2007 Yaris Electrical Wiring Diagram, users should also consider the potential security risks associated with online platforms. Malicious actors may exploit vulnerabilities in unprotected websites to distribute malware or steal personal information. To protect themselves, individuals should ensure their devices have reliable antivirus software installed and validate the legitimacy of the websites they are downloading from. In conclusion, the ability to download 2007 Yaris Electrical Wiring Diagram has transformed the way we access information. With the convenience, cost-effectiveness, and accessibility it offers, free PDF downloads have become a popular choice for students, researchers, and book lovers worldwide. However, it is crucial to engage in ethical downloading practices and prioritize personal security when utilizing online platforms. By doing so, individuals can make the most of the vast array of free PDF resources available and embark on a journey of continuous learning and intellectual growth.

FAQs About 2007 Yaris Electrical Wiring Diagram Books

How do I know which eBook platform is the best for me? Finding the best eBook platform depends on your reading preferences and device compatibility. Research different platforms, read user reviews, and explore their features before making a choice. Are free eBooks of good quality? Yes, many reputable platforms offer high-quality free eBooks, including classics and public domain works. However, make sure to verify the source to ensure the eBook credibility. Can I read eBooks without an eReader? Absolutely! Most eBook platforms offer web-based readers or mobile apps that allow you to read eBooks on your computer, tablet, or smartphone. How do I avoid digital eye strain while reading eBooks? To prevent digital eye strain, take regular breaks, adjust the font size and background color, and ensure proper lighting while reading eBooks. What the advantage of interactive eBooks? Interactive eBooks incorporate multimedia elements, quizzes, and activities, enhancing the reader engagement and providing a more immersive learning experience. 2007 Yaris Electrical Wiring Diagram is one of the best book in our library for free trial. We provide copy of 2007 Yaris Electrical Wiring Diagram in digital format, so the resources that you find are reliable. There are also many Ebooks of related with 2007 Yaris Electrical Wiring Diagram. Where to download 2007 Yaris Electrical Wiring Diagram online for free? Are you looking for 2007 Yaris Electrical Wiring Diagram PDF? This is definitely going to save you time and cash in something you should think about.

Find 2007 Yaris Electrical Wiring Diagram :

step by step cooking recipes

[ebook wellness planner](#)

[gardening tips ideas](#)

yoga guide tricks

quick start music learning

[tips sports training](#)

[home diy 2026 guide](#)

cooking recipes ideas

cooking recipes pro

~~tips cooking recipes~~

step by step travel guide

[advanced music learning](#)

~~sports training 2025 edition~~

reader's choice yoga guide

~~tips fitness workout~~

2007 Yaris Electrical Wiring Diagram :

brasil leva virada da colômbia e acumula fracassos na era diniz - Dec 09 2022

web nov 17 2023 e depois da saída de rodrygo diniz lançou paulinho que entrou e de cara perdeu boa chance o curioso é que mesmo quando atacava o brasil finalizava a gol e dava espaços para a chegada

colômbia x brasil onde assistir ao jogo das eliminatórias da copa - Oct 07 2022

web nov 16 2023 colômbia e brasil se enfrentam nesta quinta feira 16 às 21h horário de brasília em mais um jogo das eliminatórias da copa do mundo 2026 válida pela quinta rodada a partida será

tabela copa do brasil ge copa do brasil ge - Jul 04 2022

web tabela maracanã 17 09domingo16 00 flamengo 0 1 são paulo saiba como foi final morumbi 24 09domingo16 00 são paulo

jogo brasil x argentina é hoje saiba data horário e onde - May 02 2022

web 4 hours ago esporte futebol jogo brasil x argentina é hoje saiba data horário e onde assistir do uol em são paulo 20 11 2023 10h15 maracanã será palco do clássico entre brasil e argentina imagem bruno braz uol o brasil enfrenta a argentina amanhã 21 às 21h30 horário de brasília no maracanã a transmissão do jogo será da globo e do

data jogo brasil copa do mundo 2022 oitavas tabela veja tudo sobre o - Jan 10 2023

web dec 4 2022 tabela copa do mundo 2022 completa oitavas de final da copa do mundo 2022 03 12 sábado 12h holanda 3 x 1 estados unidos estádio internacional khalifa 16h argentina 2 x 1 austrália estádio al rayyan 04 12 domingo 12h França 3 x 1 polônia estádio al thumama 16h Inglaterra x senegal estádio al bayt 05 12

jennings andrew et al brasil em jogo o que fica da copa e das - Oct 19 2023

web tomaram as ruas do brasil 2013 lançada pela editora boitempo o livro brasil em jogo o que fica da copa e das olimpíadas é uma obra que representa um importante debate sobre a análise dos respectivos megaeventos esportivos no brasil e sua relação efeitos com a cidade ao reunir

brasil em jogo o que fica da copa e das olimpíadas book - Feb 11 2023

web brasil em jogo o que fica da copa e das olimpíadas mega events urban transformations and social citizenship oct 17 2021 this book provides theoretical and empirical perspectives on the urban impact of mega events globally it takes mega events as an instance to analyse urban transformations and their effects on citizenship

jogos do brasil na copa américa 2021 datas horários e onde assistir - Jul 16 2023

web jul 10 2021 a seleção brasileira está de volta à final da copa américa 2021 o brasil de tite chegou à segunda decisão

consecutiva com uma campanha invicta que começou com três vitórias e um

brasil x argentina nas eliminatórias da copa do mundo de 2026 - May 14 2023

web depois de perder para uruguai e colômbia o brasil volta a campo na próxima terça feira 21 parar encarar o clássico com a argentina em busca da reabilitação nas eliminatórias da copa do mundo de 2026 o duelo acontece no maracanã e será o último da seleção no ano após cinco rodadas o brasil atualmente é o quinto colocado na tabela de

brasil em jogo o que fica da copa e das olimpíadas 2023 - Jun 03 2022

web brasil em jogo o que fica da copa e das olimpíadas 3 3 campeões ou não representaram nosso país em uma copa do mundo na primeira parte o autor enfoca as cinco estrelas isto é as campanhas das edições vencidas pelos brasileiros ali os leitores poderão conferir jogo a jogo todos os resultados das trajetórias vitoriosas na segunda

brasil pode sair da zona de classificação à copa do mundo o - Sep 06 2022

web nov 17 2023 o jogo contra a argentina na próxima terça feira em 2016 o brasil chegou a ficar fora da zona de classificação para o mundial a diferença é que como a copa do mundo de 2026

quando são os jogos do brasil na copa do mundo 2022 terra - Feb 28 2022

web nov 7 2022 se o brasil for adiante as quartas de final acontecem dias 9 ou 10 de dezembro sexta ou sábado às 12h e as semifinais em 14 ou 15 de dezembro quarta ou quinta às 16h a disputa do

quais foram os dias que o brasil jogou na copa 2022 veja datas e - Nov 08 2022

web dec 15 2022 relembre como foi a participação da seleção brasileira na copa do mundo de 2022 no catar até a eliminação nas quartas de final e acerte as contas com a faltas e folgas na empresa por valor investe são paulo 15 12 2022 11h07 atualizado há

brasil em jogo o que fica da copa e das olimpíadas 2023 - Mar 12 2023

web brasil em jogo o que fica da copa e das olimpíadas 2014 e bala perdida a violência policial no brasil e os desafios para sua superação 2015 o livro contou com apoio da federação dos trabalhadores em empresas de crédito do centro norte fetec cut cn e da fundação lauro campos o panorama jan 15 2021 cidades rebeldes jul 09

brasil em jogo o que fica da copa e das olimpíadas - Sep 18 2023

web r 14 40 16 usado a partir de r 0 24 22 novo a partir de r 5 00 ao conquistar o direito de sediar a copa do mundo 2014 e os jogos olímpicos e paraolímpicos rio 2016 o brasil aceitou o desafio de realizar dois megaeventos esportivos globais que ao mesmo tempo despertam paixões e desconfianças

brasil em jogo o que fica da copa e das olimpíadas pdf - Aug 05 2022

web serious game tema brasil império brasil em jogo o que fica da copa e das olimpíadas downloaded from stage gapinc com by guest kaleigh keenan brasil em jogo o que fica da copa e das olimpíadas clube de autores placar a maior revista brasileira de

futebol notícias perfis entrevistas fotos exclusivas o brasil jogo a jogo taylor

[brasil fora da copa veja tabela das eliminatórias e por que](#) - Jun 15 2023

web oct 17 2023 após empatar com a venezuela em cuiabá o brasil foi derrotado pelo uruguai em montevidéu e viu sua invencibilidade de 37 jogos em eliminatórias ruir além disso viu neymar seu principal jogador sofrer uma grave lesão no joelho durante o segundo tempo e correr o risco de passar até 6 meses afastado do gramado caso

[brasil em jogo o que fica da copa e das olimpíadas](#) [goodreads](#) - Aug 17 2023

web jan 1 2014 coletânea interessantes de textos que apresenta embora dentro de um mesmo espectro político visões diversas sobre o impacto social e econômico da realização da copa do mundo e dos jogos olímpicos no brasil

[brasil em jogo o que fica da copa e das olimpíadas](#) - Apr 01 2022

web copa do mundo brasil em jogo o que fica da copa e das olimpíadas downloaded from data northitalia com by guest heath lane vencer ou morrer routledge um guia claro e acessível para entender o que podemos fazer para redução da violência segurança é um assunto que há muito preocupa a todos nós não é de hoje que o brasil está

colômbia x brasil onde assistir ao vivo horário e escalões do jogo - Apr 13 2023

web nov 16 2023 brasil o jogo terá transmissão da tv globo com narração de luis roberto e comentários de ana thaís matos e roger flores já o sportv transmite com narração de milton leite e comentários de lédio carmona e paulo nunes o ge transmite ao vivo e também acompanha a partida em tempo real com vídeos dos principais lances clique

catching the big fish album by the jackson [spotify](#) - Apr 30 2022

web listen to catching the big fish on spotify the jackson album 2021 9 songs

catching the big fish meditation consciousness and creativity 10th - Jul 02 2022

web catching the big fish meditation consciousness and creativity 10th anniversary edition lynch david isbn 9780143130147

kostenloser versand für alle bücher mit versand und verkauf duch amazon

catching the big fish meditation consciousness and creativity 10th - Jan 28 2022

web dec 27 2007 catching the big fish meditation consciousness and creativity 10th anniversary edition kindle edition by lynch david download it once and read it on your kindle device pc phones or tablets use features like bookmarks note taking and highlighting while reading catching the big fish meditation consciousness and

[catching the big fish google books](#) - Apr 11 2023

web sep 6 2016 for the 10th anniversary of david lynch s bestselling reflection on meditation and creativity this new edition features interviews with paul mccartney and ringo starr when it first appeared

catching the big fish meditation consciousness and creativity 10th - May 12 2023

web sep 6 2016 product details asin b0chzyzx36 publisher generic 10th anniversary edition september 6 2016 spiral bound

208 pages

catching the big fish meditation consciousness and creativity 10th - Nov 06 2022

web for the 10th anniversary of david lynch s bestselling reflection on meditation and creat catching the big fish meditation consciousness and creativity 10th anniversary edition by david lynch goodreads

catching the big fish meditation consciousness and creativity 10th - Jul 14 2023

web for the 10th anniversary of david lynch s bestselling reflection on meditation and creativity this new edition features interviews with paul mccartney and ringo starr when it first appeared in 2006 david lynch s catching the big fish was celebrated for being as close as lynch will ever come to an interior shot of his famously weird mind

big monster fish catch 10kg big giant catfish catch youtube - Mar 30 2022

web dec 3 2020 big giant catfish catchmonster fish catch with hook amazing big catfish catchincredible fishing biggiantfish monsterfishcatch giantcatfishplease watch and sh

catching the big fish meditation consciousness and creativity 10th - Jun 13 2023

web sep 6 2016 for the 10th anniversary of david lynch s bestselling reflection on meditation and creativity this new edition features interviews with paul mccartney and ringo starr when it first appeared in 2006 david lynch s catching the big fish was celebrated for being as close as lynch will ever come to an interior shot of his famously weird mind

amazon com customer reviews catching the big fish - Aug 03 2022

web find helpful customer reviews and review ratings for catching the big fish meditation consciousness and creativity 10th anniversary edition at amazon com read honest and unbiased product reviews from our users

[catching the big fish meditation consciousness and creativity 10th](#) - Feb 09 2023

web for the 10th anniversary of david lynch s bestselling reflection on meditation and creativity this new edition features interviews with paul mccartney and ringo starr

catching the big fish david lynch free download borrow - Jun 01 2022

web dec 28 2006 subject inspiring nice book that engenders a feeling of optimism nothing too technical an emphasis on the benefit of transcendental meditation tm as a means via which one may connect with a bigger picture via which to create bigger pictures

catching the big fish meditation consciousness and creativity 10th - Oct 05 2022

web catching the big fish meditation consciousness and creativity 10th anniversary edition lynch david amazon com mx libros

catching the big fish meditation consciousness and creativity 10th - Dec 27 2021

web for the 10th anniversary of david lynch s bestselling reflection on meditation and creativity this new edition features interviews with paul mccartney and ringo starr when it first appeared in 2006 david lynch s catching the big fish was

celebrated for being as close as lynch will ever come to an interior shot of his famously weird mind

[catching the big fish meditation cons meditation](#) - Jan 08 2023

web purchase options and add ons for the 10th anniversary of david lynch s bestselling reflection on meditation and creativity this new edition features interviews with paul mccartney and ringo starr

[catching the big fish meditation consciousness and creativity](#) - Sep 04 2022

web feb 21 2021 david lynch s catching the big fish provides a rare window into the internationally acclaimed filmmaker s methods as an artist his personal working style and the immense creative benefits he has experienced from the practice of meditation

catching the big fish meditation consciousness and creativity 10th - Aug 15 2023

web sep 6 2016 catching the big fish meditation consciousness and creativity 10th anniversary edition paperback september 6 2016 by david lynch author 4 4 4 4 out of 5 stars 1 573 ratings

[catching the big fish meditation consciousness and creativity 10th](#) - Mar 10 2023

web catching the big fish meditation consciousness and creativity 10th anniversary edition lynch david amazon com tr kitap

catching the big fish meditation consciousness and creativity 10th - Dec 07 2022

web dec 27 2007 catching the big fish meditation consciousness and creativity 10th anniversary edition david lynch penguin dec 27 2007 self help 208 pages 7 reviews reviews aren t verified

the big catch tv series 2015 imdb - Feb 26 2022

web documentary action adventure eight highly skilled anglers battle mother nature while completing specific fishing tasks across the world with weekly eliminations weighing heavy a missed fish could prove disastrous using a fly rod to line in hand from deep sea to category 5 rapids from the bank to a nativ read all

[fountas and pinnell assessment summary form tpt](#) - Aug 01 2022

web obtain the fountas and pinnell assessment materials you will need the assessment binder or online access to the assessment materials 2 set up the assessment

download free fountas and pinnell assessment summary forms - Mar 08 2023

web fountas and pinnell assessment summary forms literacy assessment and intervention for classroom teachers mar 13 2022 the fifth edition of this

title check one hard check one reading summary forms - Sep 14 2023

web summary forms 2011 2008 by irene c fountas and gay su pinnell portsmouth nh heinemann this page may be photocopied summary form student grade

fountas pinnell bas 1 - May 10 2023

web fountas pinnell literacy optional assessment summary form optional assessments getting started where to start word test directions beginning word

assessment resources fountas and pinnell - Oct 15 2023

web the fountas pinnell benchmark assessment systems are accurate and reliable tools to identify the instructional and independent reading levels of all students and document

results for fountas and pinell assessment forms tpt - Jun 30 2022

web irene c fountas 2013 leveled books k 8 irene c fountas 2006 for ten years and in two classic books irene fountas and gay su pinnell have described how to analyze

get fountas and pinnell assessment summary form us legal - Jan 26 2022

resource library downloadable study guides videos order - Aug 13 2023

web sep 26 2023 use this printable order form of all available fountas pinnell literacy resources for your purchasing convenience transform your literacy instruction with

resource library downloadable study guides fountas and - Sep 02 2022

web fountas and pinnell assessment summary form created by anna marks this form can be used to record data from the fountas and pinnell reading assessment system

resource library downloadable study guides videos order - Nov 04 2022

web feb 21 2023 resource library browse fountas pinnell literacy downloadable study guides order forms promotional materials research tools samplers webinar videos

benchmark assessment system bas fountas and - Apr 09 2023

web assessment strategies fountas and pinnell benchmark assessment system 2 may 18 2023 notice note oct 19 2020 examines the new emphasis on text dependent

fountas and pinnell benchmark assessment system school - Jun 11 2023

web why fountas and pinnell benchmark assessment system it is a reliable well researched reading assessment tool determines students instructional and

fountas and pinnell assessment summary forms pdf 2023 - Feb 24 2022

fountas and pinnell assessment summary forms - Oct 03 2022

web fountas and pinnell assessment summary form created by anna marks this form can be used to record data from the fountas and pinnell reading assessment system

results for fountas and pinnell assessment data forms tpt - May 30 2022

web irene c fountas 2006 10 20 with 100 minilessons for each of the four grade levels you can use fountas and pinnell s month by month planning guide assessment checklists

fountas pinnell benchmark assessment summary form pdf - Dec 25 2021

fountas pinnell benchmark assessment system - Jul 12 2023

web yvall assessment and summary forms are easily accessed online through the fountas pinnell literacy online resources you can select forms by book level title and

benchmark assessment system 1 3rd edition by irene fountas - Dec 05 2022

web may 3rd 2018 fountas and pinnell benchmark assessment forms fountas and pinnell benchmark assessment book allan kardec pdf the

fountas and pinnell assessment summary form pdffiller - Apr 28 2022

web complete fountas and pinnell assessment summary form online with us legal forms easily fill out pdf blank edit and sign them save or instantly send your ready documents

fountas and pinnell assessment summary forms copy - Jan 06 2023

web nov 9 2022 browse fountas pinnell literacy downloadable study guides order forms promotional materials research tools samplers webinar videos and more

fountas and pinnell assessment summary forms pdf 2023 - Mar 28 2022

web fountas pinnell benchmark assessment summary form pdf pages 3 19 fountas pinnell benchmark assessment summary form pdf upload suny q murray 3 19

fountas pinnell benchmark assessment system - Feb 07 2023

web grades k 2 levels a n by irene fountas lesley university gay su pinnell the ohio state university the fountas pinnell benchmark assessment system is used to