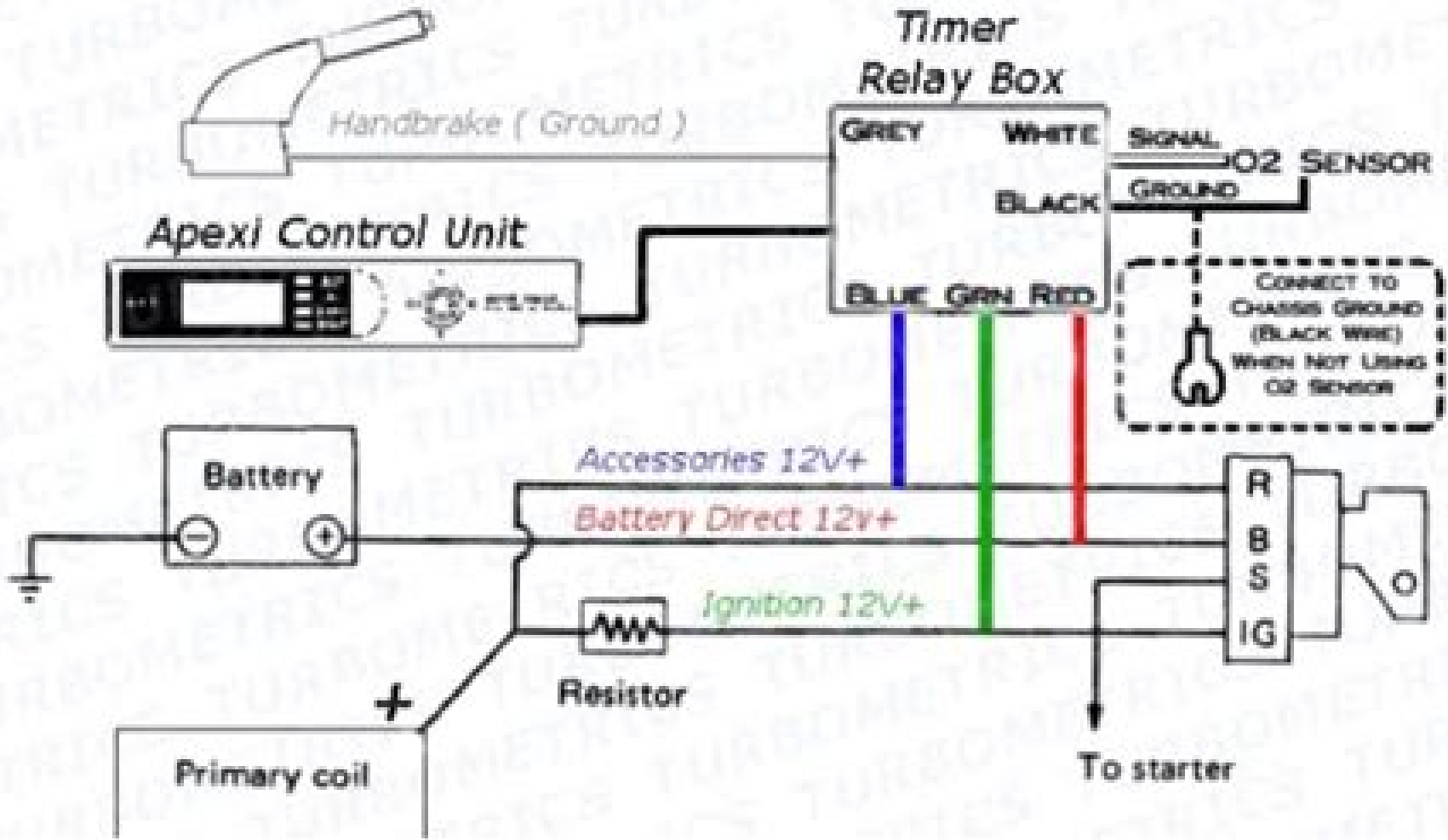


# APEXI TURBO TIMER WIRING



# 04 Focus Turbo Timer Install Diagram

**Michael Brown**



#### **04 Focus Turbo Timer Install Diagram:**

**PC Tech Journal** ,1985     Popular Science ,1972-07 Popular Science gives our readers the information and tools to improve their technology and their world The core belief that Popular Science and our readers share The future is going to be better and science and technology are the driving forces that will help make it better     **Popular Photography** ,1988-01  
*Popular Photography* ,1989-03     **Popular Photography** ,1988-01     Popular Photography ,1988-01     *Popular Photography* ,1988-01     *Popular Photography* ,1988-01     *Popular Photography* ,1995-11     **Popular Photography** ,1988-01

Recognizing the quirk ways to get this ebook **04 Focus Turbo Timer Install Diagram** is additionally useful. You have remained in right site to start getting this info. get the 04 Focus Turbo Timer Install Diagram link that we pay for here and check out the link.

You could purchase guide 04 Focus Turbo Timer Install Diagram or get it as soon as feasible. You could speedily download this 04 Focus Turbo Timer Install Diagram after getting deal. So, following you require the books swiftly, you can straight acquire it. Its fittingly no question simple and suitably fats, isnt it? You have to favor to in this spread

<https://legacy.tortoisemedia.com/data/scholarship/Documents/1998%20Honda%20300ex%20Repair%20Manual.pdf>

## **Table of Contents 04 Focus Turbo Timer Install Diagram**

1. Understanding the eBook 04 Focus Turbo Timer Install Diagram
  - The Rise of Digital Reading 04 Focus Turbo Timer Install Diagram
  - Advantages of eBooks Over Traditional Books
2. Identifying 04 Focus Turbo Timer Install Diagram
  - Exploring Different Genres
  - Considering Fiction vs. Non-Fiction
  - Determining Your Reading Goals
3. Choosing the Right eBook Platform
  - Popular eBook Platforms
  - Features to Look for in an 04 Focus Turbo Timer Install Diagram
  - User-Friendly Interface
4. Exploring eBook Recommendations from 04 Focus Turbo Timer Install Diagram
  - Personalized Recommendations
  - 04 Focus Turbo Timer Install Diagram User Reviews and Ratings
  - 04 Focus Turbo Timer Install Diagram and Bestseller Lists
5. Accessing 04 Focus Turbo Timer Install Diagram Free and Paid eBooks

- 04 Focus Turbo Timer Install Diagram Public Domain eBooks
  - 04 Focus Turbo Timer Install Diagram eBook Subscription Services
  - 04 Focus Turbo Timer Install Diagram Budget-Friendly Options
6. Navigating 04 Focus Turbo Timer Install Diagram eBook Formats
    - ePub, PDF, MOBI, and More
    - 04 Focus Turbo Timer Install Diagram Compatibility with Devices
    - 04 Focus Turbo Timer Install Diagram Enhanced eBook Features
  7. Enhancing Your Reading Experience
    - Adjustable Fonts and Text Sizes of 04 Focus Turbo Timer Install Diagram
    - Highlighting and Note-Taking 04 Focus Turbo Timer Install Diagram
    - Interactive Elements 04 Focus Turbo Timer Install Diagram
  8. Staying Engaged with 04 Focus Turbo Timer Install Diagram
    - Joining Online Reading Communities
    - Participating in Virtual Book Clubs
    - Following Authors and Publishers 04 Focus Turbo Timer Install Diagram
  9. Balancing eBooks and Physical Books 04 Focus Turbo Timer Install Diagram
    - Benefits of a Digital Library
    - Creating a Diverse Reading Collection 04 Focus Turbo Timer Install Diagram
  10. Overcoming Reading Challenges
    - Dealing with Digital Eye Strain
    - Minimizing Distractions
    - Managing Screen Time
  11. Cultivating a Reading Routine 04 Focus Turbo Timer Install Diagram
    - Setting Reading Goals 04 Focus Turbo Timer Install Diagram
    - Carving Out Dedicated Reading Time
  12. Sourcing Reliable Information of 04 Focus Turbo Timer Install Diagram
    - Fact-Checking eBook Content of 04 Focus Turbo Timer Install Diagram
    - Distinguishing Credible Sources
  13. Promoting Lifelong Learning
    - Utilizing eBooks for Skill Development

- Exploring Educational eBooks
- 14. Embracing eBook Trends
  - Integration of Multimedia Elements
  - Interactive and Gamified eBooks

### **04 Focus Turbo Timer Install Diagram Introduction**

Free PDF Books and Manuals for Download: Unlocking Knowledge at Your Fingertips In today's fast-paced digital age, obtaining valuable knowledge has become easier than ever. Thanks to the internet, a vast array of books and manuals are now available for free download in PDF format. Whether you are a student, professional, or simply an avid reader, this treasure trove of downloadable resources offers a wealth of information, conveniently accessible anytime, anywhere. The advent of online libraries and platforms dedicated to sharing knowledge has revolutionized the way we consume information. No longer confined to physical libraries or bookstores, readers can now access an extensive collection of digital books and manuals with just a few clicks. These resources, available in PDF, Microsoft Word, and PowerPoint formats, cater to a wide range of interests, including literature, technology, science, history, and much more. One notable platform where you can explore and download free 04 Focus Turbo Timer Install Diagram PDF books and manuals is the internet's largest free library. Hosted online, this catalog compiles a vast assortment of documents, making it a veritable goldmine of knowledge. With its easy-to-use website interface and customizable PDF generator, this platform offers a user-friendly experience, allowing individuals to effortlessly navigate and access the information they seek. The availability of free PDF books and manuals on this platform demonstrates its commitment to democratizing education and empowering individuals with the tools needed to succeed in their chosen fields. It allows anyone, regardless of their background or financial limitations, to expand their horizons and gain insights from experts in various disciplines. One of the most significant advantages of downloading PDF books and manuals lies in their portability. Unlike physical copies, digital books can be stored and carried on a single device, such as a tablet or smartphone, saving valuable space and weight. This convenience makes it possible for readers to have their entire library at their fingertips, whether they are commuting, traveling, or simply enjoying a lazy afternoon at home. Additionally, digital files are easily searchable, enabling readers to locate specific information within seconds. With a few keystrokes, users can search for keywords, topics, or phrases, making research and finding relevant information a breeze. This efficiency saves time and effort, streamlining the learning process and allowing individuals to focus on extracting the information they need. Furthermore, the availability of free PDF books and manuals fosters a culture of continuous learning. By removing financial barriers, more people can access educational resources and pursue lifelong learning, contributing to personal growth and professional development. This democratization of knowledge promotes intellectual curiosity and

empowers individuals to become lifelong learners, promoting progress and innovation in various fields. It is worth noting that while accessing free 04 Focus Turbo Timer Install Diagram PDF books and manuals is convenient and cost-effective, it is vital to respect copyright laws and intellectual property rights. Platforms offering free downloads often operate within legal boundaries, ensuring that the materials they provide are either in the public domain or authorized for distribution. By adhering to copyright laws, users can enjoy the benefits of free access to knowledge while supporting the authors and publishers who make these resources available. In conclusion, the availability of 04 Focus Turbo Timer Install Diagram free PDF books and manuals for download has revolutionized the way we access and consume knowledge. With just a few clicks, individuals can explore a vast collection of resources across different disciplines, all free of charge. This accessibility empowers individuals to become lifelong learners, contributing to personal growth, professional development, and the advancement of society as a whole. So why not unlock a world of knowledge today? Start exploring the vast sea of free PDF books and manuals waiting to be discovered right at your fingertips.

### **FAQs About 04 Focus Turbo Timer Install Diagram Books**

How do I know which eBook platform is the best for me? Finding the best eBook platform depends on your reading preferences and device compatibility. Research different platforms, read user reviews, and explore their features before making a choice. Are free eBooks of good quality? Yes, many reputable platforms offer high-quality free eBooks, including classics and public domain works. However, make sure to verify the source to ensure the eBook credibility. Can I read eBooks without an eReader? Absolutely! Most eBook platforms offer web-based readers or mobile apps that allow you to read eBooks on your computer, tablet, or smartphone. How do I avoid digital eye strain while reading eBooks? To prevent digital eye strain, take regular breaks, adjust the font size and background color, and ensure proper lighting while reading eBooks. What the advantage of interactive eBooks? Interactive eBooks incorporate multimedia elements, quizzes, and activities, enhancing the reader engagement and providing a more immersive learning experience. 04 Focus Turbo Timer Install Diagram is one of the best book in our library for free trial. We provide copy of 04 Focus Turbo Timer Install Diagram in digital format, so the resources that you find are reliable. There are also many Ebooks of related with 04 Focus Turbo Timer Install Diagram. Where to download 04 Focus Turbo Timer Install Diagram online for free? Are you looking for 04 Focus Turbo Timer Install Diagram PDF? This is definitely going to save you time and cash in something you should think about.

**Find 04 Focus Turbo Timer Install Diagram :**

[1998 honda 300ex repair manual](#)

[1998 gmc jimmy owners manual](#)

[1998 2002 ford au falcon service repair manual](#)

[1997 vw golf gti radio wiring diagram](#)

**1998 ford van owners manual**

[1998 200hp mercury service manual](#)

**1998 dodge grand caravan owner manual**

[1997 suzuki quadrunner 250 2x4](#)

[1998 ford escort manual](#)

[1997 yamaha 9 9eshv outboard service repair maintenance manual factory](#)

[1998 dodge ram 1500 radio wiring diagram](#)

[1997 polaris indy trail touring specs](#)

[1997 opel astra 2l 8v workshop manual](#)

**1997 volvo 960 service manua**

[1998 ford f150 wiring](#)

**04 Focus Turbo Timer Install Diagram :**

**gregg popovich el sargento de hierro baloncesto p pdf pdf** - Mar 30 2022

web rafael de nogales méndez 2003 03 01 these are the memoirs of a venezuelan mercenary officer in the ottoman army during wwi he fought on the caucasian iraqi and palestine fronts

**gregg popovich el sargento de hierro baloncesto p pdf** - Jul 02 2022

web sep 18 2022 gregg popovich el sargento de hierro baloncesto p 2 9 downloaded from staging friends library org on september 18 2022 by guest around the vatican converge in this internationally bestselling thriller in the days following the death of pope john paul ii the horribly disfigured body of a cardinal is discovered in a chapel in rome

**gregg popovich el sargento de hierro baloncesto para leer** - Aug 15 2023

web gregg popovich el sargento de hierro baloncesto para leer cerrado mejías rafael amazon com tr kitap

**gregg popovich el sargento de hierro baloncesto p gina d b** - Jan 28 2022

web gregg popovich el sargento de hierro baloncesto p can be taken as with ease as picked to act apocalipsis 2012 joseph e



hojman lawrence eduardo trn 2010 02 23 terremotos devastadores tsunamis y huracanes nunca vistos temperaturas globales inaguantables guerra mundial desde siempre el hombre ha querido predecir cómo

*gregg popovich imdb* - Jun 01 2022

web gregg popovich self we are ec the untold story of east chicago basketball gregg popovich was born on 28 january 1949 in east chicago indiana usa he was previously married to erin conboy

**gregg popovich el sargento de hierro baloncesto para leer** - Apr 11 2023

web el sargento de hierro baloncesto para leer cerrato mejías rafael amazon es libros

**gregg popovich el sargento de hierro todos tus libros** - Mar 10 2023

web gregg popovich es el mejor entrenador de la nba no tiene un sistema predeterminado su grandeza radica en saber manejar el equipo otros tienen su sistema popovich es el sistema siempre trabaja en función de a plantilla y es capaz de sacar lo mejor de cada jugador por eso se ha ganado el respeto y la admiración de todos

*gregg popovich el sargento de hierro baloncesto para leer by* - Aug 03 2022

web baloncesto y revistas de zapatillas fuikaomar suscripción anual libro popovich skyhook shop gregg popovich el sargento de hierro baloncesto gregg popovich eufórico por el diario de ibiza gregg popovich el sargento de hierro pdf descargar gregg popovich el sargento de hierro rafael cerrato baloncesto ediciones jc gregg popovich el

*gregg popovich el sargento de hierro baloncesto para leer by* - Jun 13 2023

web gregg popovich el sargento de hierro baloncesto para leer by rafael cerrato mejías gregg popovich el sargento de hierro fuikaomar es gigantes del basket on twitter si no quieres tener que gregg popovich el sargento de hierro el sargento de el sargento de hierro popovich mejor

*popovich el sargento de hierro youtube* - Jul 14 2023

web baloncesto nba spurs sanantonio sanantoniospurs popovich gregg popovich nacido el 28 de enero de 1949 east chicago indiana ee uu entrenador

**gregg popovich wiki** - May 12 2023

web gregg popovich d 28 ocak 1949 doğu chicago indiana nba ligi takımlarından san antonio spurs un başantrenörü ve kulüp başkanı amerikalı basketbol antrenörü 1996 yılından beri san antonio spurs u çalıştırmaktadır

**gregg popovich el sargento de hierro by marta** - Feb 09 2023

web oct 26 2018 read gregg popovich el sargento de hierro by marta benito on issuu and browse thousands of other publications on our platform start here

*gregg popovich wikipedia* - Dec 07 2022

web gregg charles popovich è un allenatore di pallacanestro e dirigente sportivo statunitense di origine serba e croata

professionista nella nba allenatore dei san antonio spurs È quinto coach di sempre per anelli conquistati e primo per partite vinte dal 2018 al 2021 è stato anche capo allenatore della nazionale di basket degli stati uniti

*gregg popovich el sargento de hierro baloncesto para leer by* - Apr 30 2022

web jul 31 2023 hierro gregg popovich el sargento de hierro el sargento de gregg popovich eufórico por el trabajo del equipo preparacion fisica completa para el baloncesto gregg

*gregg popovich el sargen yumpu* - Sep 04 2022

web oct 28 2022 gregg popovich el sargen 28 10 2022 views share embed flag pdf full download gregg popovich el sargento de hierro baloncesto para leer spanish edition link download agfile abebook cc 8415448317 description gregg popovich el sargento de hierro baloncesto para leer spanish edition

**gregg popovich el sargento de hierro ldrsport com** - Oct 05 2022

web crear una cuenta mi carrito 0 librería online

*gregg popovich el sargento de hierro baloncesto p free pdf* - Dec 27 2021

web gregg popovich el sargento de hierro baloncesto p pdf download ebook gregg popovich el sargento de hierro baloncesto p pdf you can download and read online pdf file book gregg popovich el sargento de hierro baloncesto p only if you are registered here download and read online gregg popovich el

**gregg popovich wikipédia** - Nov 06 2022

web gregg charles popovich east chicago indiana 1949 január 28 amerikai kosárlabdaedző aki a national basketball associationben szereplő san antonio spurs vezetőedzője korábban az amerikai válogatott vezetőedzője is volt beceneve pop 1996 óta a spurs edzője az nba és az összes nagy amerikai sportliga leghosszabb ideig

gregg popovich eurobasket 2022 için milano ya geldi - Jan 08 2023

web aug 30 2022 san antonio spurs un efsane teknik patronu gregg popovich eurobasket i yerinde takip etmek için milano ya geldi olimpia milan şu anda milli takımlarında oynayan üyelerinden yoksun olmasına karşın önümüzdeki sezon için eğitim kampına başladı milano nun ev sahipliği yapacağı eurobasket 2022 öncesi gregg popovich eski

**gregg popovich el sargento de hierro baloncesto p copy** - Feb 26 2022

web mar 31 2023 gregg popovich el sargento de hierro baloncesto p 1 8 downloaded from uniport edu ng on march 31 2023 by guest gregg popovich el sargento de hierro baloncesto p is genial in our digital library an online admission to it is set as public for that reason you can download it instantly our digital library saves in fused countries allowing

*official list of zodiak radio frequencies in malawi* - Feb 13 2022

web feb 8 2020 zodiak radio frequency in dedza 89 0 zodiak radio frequency in dowa 92 9 zodiak radio frequency in mchinji 87 6 zodiak radio frequency in ntchisi 88 7 zodiak radio frequency in kasungu 104 9 zodiak radio frequency in chikangawa

107 0 zodiak radio frequency in livingstonia 95 0 zodiak radio frequency in karonga 93 7

*zodiak broadcasting station msce resu cyberlab sutd edu sg* - Jul 21 2022

web science and control engineering msce 2014 jun 10 2023 the aim of msce 2014 is to provide a platform for researchers engineers and academicians as well as industrial professionals to present their research results and development activities in mechanism science and control engineering

**zodiak radio listen live blantyre malawi online radio box** - Sep 22 2022

web jul 26 2018 listen online to zodiak radio station for free great choice for blantyre malawi listen live zodiak radio with onlineradiobox com

zodiac signs in chinese understanding chinese horoscopes - Apr 17 2022

web may 6 2021 aries in chinese taurus in chinese gemini in chinese cancer in chinese leo in chinese virgo in chinese libra in chinese scorpio in chinese sagittarius in chinese

zodiak online zbsnews zodiak broadcasting station is - Mar 29 2023

web zbsnews zodiak broadcasting station is today awarding best performing female students in the 2019 msce at a function taking place at loyola jesuits secondary school in kasungu

zodiak malawi online - Oct 04 2023

web when he heard on zodiak radio that the ministry of education had announced the 2023 malawi school certificate of education msce examination results joseph mathias katole s heart was pounding heavily

**zodiak broadcasting station wikipedia** - Apr 29 2023

web zodiak broadcasting station is a privately owned radio station in malawi it was founded in 2005 by gospel kazako the station has more than 25 transmitting sites and reaches the whole of malawi nearly 60 of its programmes are broadcast in chichewa malawi s main language with few others being addressed in chitumbuka

*zodiak online live radio* - Nov 24 2022

web listen to zodiak broadcasting station online radio live stance academy opens doors forms pta committee sunday 22 october 2023 08 21

live 95 1 fm zodiak radio 18 3k favorites tunein - Oct 24 2022

web live 95 1 fm zodiak radio 18 3k favorites tunein news talk zodiak radio zodiak broadcasting station zikachitika mumvera kwa ife we are here to provide you with breaking news sport tv and radio

**zodiak broadcasting station zikachitika mumvera kwa ife** - Aug 22 2022

web zodiak broadcasting station artbridge house p bag 312 sec 5 lilongwe malawi

**zodiak broadcasting station msce results 2013 textra com** - Jun 19 2022

web 2 zodiak broadcasting station msce results 2013 2022 07 04 period 2006 11 which is aimed at fulfilling malawi s future developmental aspiration vision 2020 the strategy identifies broad thematic areas and key priority areas to bring about sustained economic growth a striking feature of this strategy is that the various governmental

**cbs apologises for broadcasting map showing** - May 19 2022

web mar 3 2022 us television network cbs has sent a letter of apology to turkey saying the channel would review its broadcasting processes in order to prevent such errors in the future turkey s communications director fahrettin altun protested over the us tv network s mistake earlier

**msce results out prisam commends timely release** - Aug 02 2023

web sep 17 2023 the malawi national examination board maneb in conjunction with the ministry of education has released the 2022 malawi school certificate of education msce examination results

**zodiak broadcasting station youtube** - Feb 25 2023

web zodiak broadcasting station brings the latest news in malawi and elsewhere as it happens

[nhk japan broadcasting corporation merkezi](#) - Mar 17 2022

web nhk japan broadcasting corporation merkezi japonya istanbul merkez subesi company profile istanbul europe turkey competitors financials contacts dun bradstreet d b business directory

**push for release of msce results zodiakmalawi com** - Sep 03 2023

web wednesday 13 09 2023 an educationist wesley mwambakulu has asked authorities to release the 2023 malawi school certificate of education msce examination results following the commencement of this year s academic calendar

[zodiak broadcasting station zbs fm 95 1 lilongwe](#) - Dec 26 2022

web oct 25 2023 zodiak broadcasting station zbs zikachitika mumvera kwa ife fm 95 1 lilongwe live stream plus station schedule and song playlist listen to your favorite radio stations at streema

**2022 msce results to be out soon maneb zodiakmalawi com** - May 31 2023

web the malawi national examination board maneb says it is in the final touches to release the 2022 malawi school certificate of education msce examination results

**zodiak online facebook** - Jul 01 2023

web zodiak online lilongwe malawi 797 472 likes 111 677 talking about this zodiakmalawi com twitter com zodiakonline  *blessings kang ombe news reporter zodiak broadcasting station* - Jan 27 2023

web blessings kang ombe is a malawian born journalist currently working with private owned zodiak broadcasting station zbs and based in ntcheu district

[results for tell tale heart activities tpt](#) - Mar 27 2022

web browse tell tale heart activities resources on teachers pay teachers a marketplace trusted by millions of teachers for original educational resources

*the tell tale heart activity packet mrs calvert s language* - Jun 10 2023

web the tell tale heart activity packet edgar allan poe name period your score out of 30 points possible the tell tale heart literary focus narrator a narrator is a person who tells a story s narrator may be a

classroom activities for the tell tale heart synonym - Feb 23 2022

web the purpose is to help students learn important elements of gothic literature that directly tie into poe s the tell tale heart such as the focus on a mentally tormented protagonist a mysterious setting elements of horror a suspense plot line and unusual phenomenon such as the old man s filmy eye

**teaching the tell tale heart by edgar allan poe presto plans** - Oct 02 2022

web 10 free ela resources teaching the tell tale heart by edgar allan poe if you are teaching the tell tale heart by edgar allan poe you may be looking for strategies and tips for analyzing this challenging plot not to worry as i m sharing my best tips for helping you navigate all elements of this classic story with your students

**handouts for tell tale heart handout 1 mrs sullivan** - Jun 29 2022

web the tell tale heart literary terms to know these are literary terms you should become familiar with you should be able to discuss how poe uses each one of these in his story characterization the author s expression of a character s personality through the use of action dialogue thought or commentary by the author or another character

**the tell tale heart by edgar allen poe worksheets** - Mar 07 2023

web aug 16 2021 a resource with the text of the tell tale heart by edgar allen poe and worksheets and resources with analytical and creative tasks

the tell tale heart by edgar allan poe ereading worksheets - Aug 12 2023

web written by edgar allan poe this is one of poe s more accessible works when i teach this text i tend to play up the insanity of the narrator it makes for a pretty good hook this is also a good text to study when discussing the reliability of the narrator

**the tell tale heart lesson plans and activities enotes com** - May 09 2023

web our premium lesson plans and activities for the tell tale heart include a response journal filled with writing and discussion prompts to facilitate students reading of the text

**a directed listening thinking activity for the tell tale heart** - Nov 03 2022

web in this lesson students participate in a directed listening thinking activity dlta in which they listen to the tell tale heart by edgar allan poe and answer prediction questions at designated stopping points during the reading

**the tell tale heart activities study com** - Dec 04 2022

web procedure divide students into pairs each pair will locate examples of hyperbole simile metaphor and personification in the tell tale heart pairs will discuss the literal and figurative

**edgar allan poe s tell tale heart lesson plan literacy in** - Jul 31 2022

web oct 16 2022 students review press summarize the plot from tell tale heart with a comic book activity in order to complete the submission students add illustrations and dialogue to a total of ten comic book scenes the scenes should covers the entire plot of a tell fairy heart in a aggregated version with contemporary language

**edgar allan poe s tell tale heart lesson plan** - Sep 13 2023

web oct 19 2020 edgar allan poe s tell tale heart lesson plan this common core aligned lesson is designed for students to gain a clear understanding of poe s use of tone and mood in the tell tale heart the lesson is broken down into activities that occur before into during through and after beyond reading the short story

**putting it all together tone analysis the tell tale heart** - Apr 27 2022

web putting it all together tone analysis the tell tale heart foundation lesson middle school about this lesson ideally most lessons in an english classroom using pre ap strategies would be like this one blending the skills

**the tell tale heart lesson plans varsity tutors** - Apr 08 2023

web the tell tale heart by edgar allan poe lesson plans and teaching resources teacher guide to the tell tale heart how might students use storyboards to demonstrate and to extend their learning check the resources here includes plot summary essential questions learning activities including plot diagram vocabulary types of conflict and

**the tell tale heart vocabulary development games and activities** - Feb 06 2023

web sep 22 2023 included are the following a multiple choice plot based quiz a close reading analysis worksheet a vocabulary application activity a crossword puzzle a word search game the public domain narrative and answer keys materials are delivered in printable word document and pdf formats

**the tell tale heart american english** - Jan 25 2022

web still his heart was beating but i smiled as i felt that success was near for many minutes that heart continued to beat but at last the beating stopped the old man was dead i took away the bed covers and held my ear over his heart there was no sound yes he was dead dead as a stone his eye would trouble me no more so i am mad you say you

**lesson plan the tell tale heart by edgar allan poe voa** - Jan 05 2023

web feb 10 2015 american stories lesson plan the tell tale heart by edgar allan poe february 10 2015 this lesson plan based on the calla approach teaches the strategy classify to help students understand

*language analysis activity the tell tale heart teachit* - Sep 01 2022

web feb 21 2023 a nine slide powerpoint resource which explores how tension is created in the tell tale heart by edgar allan

poe students are asked to look at the language closely and think about the effect of rhetorical questions repetition and short simple sentences

[k20 learn a multimodal approach to edgar allan poe](#) - May 29 2022

web in this lesson students use drawing to help them understand key events and analyze the mood and style of edgar allan poe s the tell tale heart k20 center learn authentic lessons instructional strategies and engaging activities for 21st century learning

[the tell tale heart teaching ideas creative classroom core](#) - Jul 11 2023

web oct 3 2023 the tell tale heart teaching ideas strategies and activities for teaching the tell tale heart by edgar allan poe