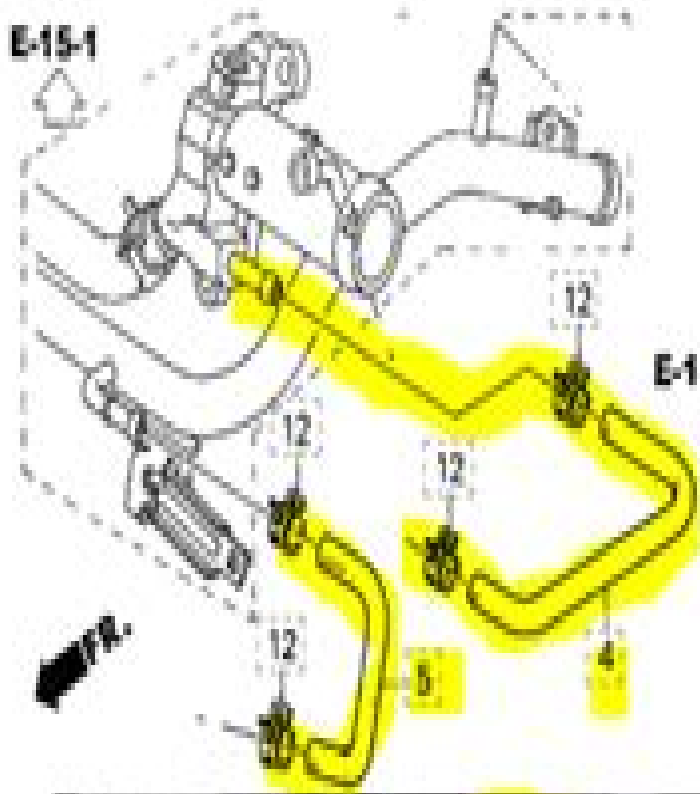
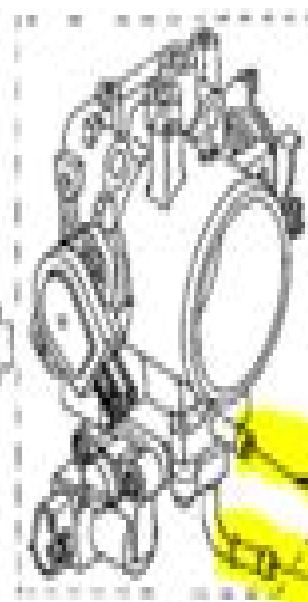


E-15-1



E-1-1



E-0

4

5

12

12

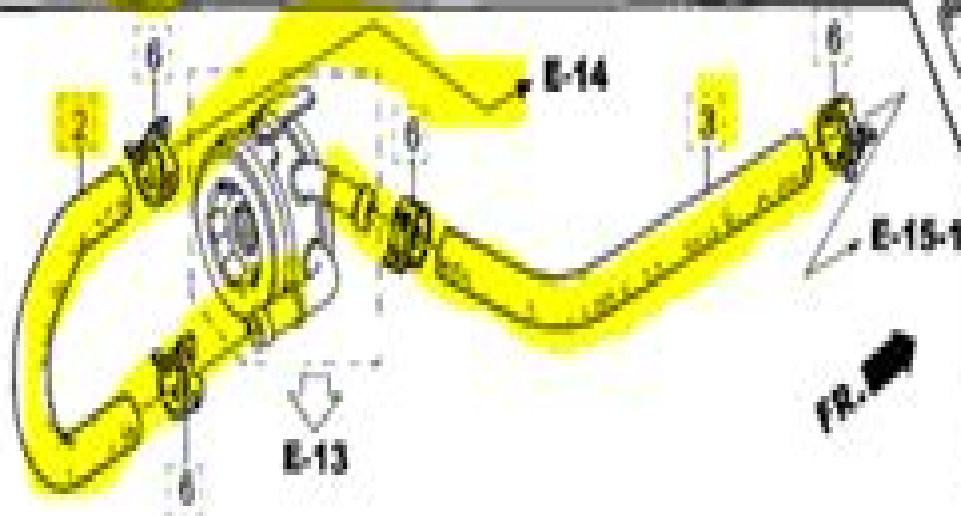
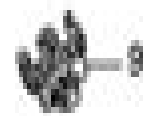
7

12

8

12

E-1-5



E-14

E-15-1

E-13

# 2008 Acura Tsx Bypass Hose Manual

**American Honda Motor Company**



**2008 Acura Tsx Bypass Hose Manual:**

**Acura TSX Service Manual 04-08** American Honda Motor Company,2007

The book delves into 2008 Acura Tsx Bypass Hose Manual. 2008 Acura Tsx Bypass Hose Manual is a vital topic that must be grasped by everyone, ranging from students and scholars to the general public. The book will furnish comprehensive and in-depth insights into 2008 Acura Tsx Bypass Hose Manual, encompassing both the fundamentals and more intricate discussions.

1. This book is structured into several chapters, namely:
  - Chapter 1: Introduction to 2008 Acura Tsx Bypass Hose Manual
  - Chapter 2: Essential Elements of 2008 Acura Tsx Bypass Hose Manual
  - Chapter 3: 2008 Acura Tsx Bypass Hose Manual in Everyday Life
  - Chapter 4: 2008 Acura Tsx Bypass Hose Manual in Specific Contexts
  - Chapter 5: Conclusion
2. In chapter 1, the author will provide an overview of 2008 Acura Tsx Bypass Hose Manual. This chapter will explore what 2008 Acura Tsx Bypass Hose Manual is, why 2008 Acura Tsx Bypass Hose Manual is vital, and how to effectively learn about 2008 Acura Tsx Bypass Hose Manual.
3. In chapter 2, the author will delve into the foundational concepts of 2008 Acura Tsx Bypass Hose Manual. This chapter will elucidate the essential principles that need to be understood to grasp 2008 Acura Tsx Bypass Hose Manual in its entirety.
4. In chapter 3, this book will examine the practical applications of 2008 Acura Tsx Bypass Hose Manual in daily life. The third chapter will showcase real-world examples of how 2008 Acura Tsx Bypass Hose Manual can be effectively utilized in everyday scenarios.
5. In chapter 4, the author will scrutinize the relevance of 2008 Acura Tsx Bypass Hose Manual in specific contexts. This chapter will explore how 2008 Acura Tsx Bypass Hose Manual is applied in specialized fields, such as education, business, and technology.
6. In chapter 5, the author will draw a conclusion about 2008 Acura Tsx Bypass Hose Manual. The final chapter will summarize the key points that have been discussed throughout the book.

This book is crafted in an easy-to-understand language and is complemented by engaging illustrations. This book is highly recommended for anyone seeking to gain a comprehensive understanding of 2008 Acura Tsx Bypass Hose Manual.

<https://legacy.tortoisemedia.com/book/scholarship/default.aspx/audi%20a6%202005%20owner%20manual.pdf>

## **Table of Contents 2008 Acura Tsx Bypass Hose Manual**

1. Understanding the eBook 2008 Acura Tsx Bypass Hose Manual
  - The Rise of Digital Reading 2008 Acura Tsx Bypass Hose Manual
  - Advantages of eBooks Over Traditional Books
2. Identifying 2008 Acura Tsx Bypass Hose Manual
  - Exploring Different Genres
  - Considering Fiction vs. Non-Fiction
  - Determining Your Reading Goals
3. Choosing the Right eBook Platform
  - Popular eBook Platforms
  - Features to Look for in an eBook Platform
  - User-Friendly Interface
4. Exploring eBook Recommendations from 2008 Acura Tsx Bypass Hose Manual
  - Personalized Recommendations
  - eBook User Reviews and Ratings
  - eBook Bestseller Lists
5. Accessing 2008 Acura Tsx Bypass Hose Manual Free and Paid eBooks
  - eBook Public Domain eBooks
  - eBook Subscription Services
  - eBook Budget-Friendly Options
6. Navigating 2008 Acura Tsx Bypass Hose Manual eBook Formats
  - ePub, PDF, MOBI, and More
  - eBook Compatibility with Devices
  - eBook Enhanced eBook Features
7. Enhancing Your Reading Experience
  - Adjustable Fonts and Text Sizes of eBook
  - Highlighting and Note-Taking eBook
  - Interactive Elements eBook

8. Staying Engaged with 2008 Acura Tsx Bypass Hose Manual
  - Joining Online Reading Communities
  - Participating in Virtual Book Clubs
  - Following Authors and Publishers 2008 Acura Tsx Bypass Hose Manual
9. Balancing eBooks and Physical Books 2008 Acura Tsx Bypass Hose Manual
  - Benefits of a Digital Library
  - Creating a Diverse Reading Collection 2008 Acura Tsx Bypass Hose Manual
10. Overcoming Reading Challenges
  - Dealing with Digital Eye Strain
  - Minimizing Distractions
  - Managing Screen Time
11. Cultivating a Reading Routine 2008 Acura Tsx Bypass Hose Manual
  - Setting Reading Goals 2008 Acura Tsx Bypass Hose Manual
  - Carving Out Dedicated Reading Time
12. Sourcing Reliable Information of 2008 Acura Tsx Bypass Hose Manual
  - Fact-Checking eBook Content of 2008 Acura Tsx Bypass Hose Manual
  - Distinguishing Credible Sources
13. Promoting Lifelong Learning
  - Utilizing eBooks for Skill Development
  - Exploring Educational eBooks
14. Embracing eBook Trends
  - Integration of Multimedia Elements
  - Interactive and Gamified eBooks

## **2008 Acura Tsx Bypass Hose Manual Introduction**

In the digital age, access to information has become easier than ever before. The ability to download 2008 Acura Tsx Bypass Hose Manual has revolutionized the way we consume written content. Whether you are a student looking for course material, an avid reader searching for your next favorite book, or a professional seeking research papers, the option to download 2008 Acura Tsx Bypass Hose Manual has opened up a world of possibilities. Downloading 2008 Acura Tsx Bypass Hose Manual provides numerous advantages over physical copies of books and documents. Firstly, it is incredibly convenient. Gone are the

days of carrying around heavy textbooks or bulky folders filled with papers. With the click of a button, you can gain immediate access to valuable resources on any device. This convenience allows for efficient studying, researching, and reading on the go. Moreover, the cost-effective nature of downloading 2008 Acura Tsx Bypass Hose Manual has democratized knowledge. Traditional books and academic journals can be expensive, making it difficult for individuals with limited financial resources to access information. By offering free PDF downloads, publishers and authors are enabling a wider audience to benefit from their work. This inclusivity promotes equal opportunities for learning and personal growth. There are numerous websites and platforms where individuals can download 2008 Acura Tsx Bypass Hose Manual. These websites range from academic databases offering research papers and journals to online libraries with an expansive collection of books from various genres. Many authors and publishers also upload their work to specific websites, granting readers access to their content without any charge. These platforms not only provide access to existing literature but also serve as an excellent platform for undiscovered authors to share their work with the world. However, it is essential to be cautious while downloading 2008 Acura Tsx Bypass Hose Manual. Some websites may offer pirated or illegally obtained copies of copyrighted material. Engaging in such activities not only violates copyright laws but also undermines the efforts of authors, publishers, and researchers. To ensure ethical downloading, it is advisable to utilize reputable websites that prioritize the legal distribution of content. When downloading 2008 Acura Tsx Bypass Hose Manual, users should also consider the potential security risks associated with online platforms. Malicious actors may exploit vulnerabilities in unprotected websites to distribute malware or steal personal information. To protect themselves, individuals should ensure their devices have reliable antivirus software installed and validate the legitimacy of the websites they are downloading from. In conclusion, the ability to download 2008 Acura Tsx Bypass Hose Manual has transformed the way we access information. With the convenience, cost-effectiveness, and accessibility it offers, free PDF downloads have become a popular choice for students, researchers, and book lovers worldwide. However, it is crucial to engage in ethical downloading practices and prioritize personal security when utilizing online platforms. By doing so, individuals can make the most of the vast array of free PDF resources available and embark on a journey of continuous learning and intellectual growth.

### **FAQs About 2008 Acura Tsx Bypass Hose Manual Books**

1. Where can I buy 2008 Acura Tsx Bypass Hose Manual books? Bookstores: Physical bookstores like Barnes & Noble, Waterstones, and independent local stores. Online Retailers: Amazon, Book Depository, and various online bookstores offer a wide range of books in physical and digital formats.

2. What are the different book formats available? Hardcover: Sturdy and durable, usually more expensive. Paperback: Cheaper, lighter, and more portable than hardcovers. E-books: Digital books available for e-readers like Kindle or software like Apple Books, Kindle, and Google Play Books.
3. How do I choose a 2008 Acura Tsx Bypass Hose Manual book to read? Genres: Consider the genre you enjoy (fiction, non-fiction, mystery, sci-fi, etc.). Recommendations: Ask friends, join book clubs, or explore online reviews and recommendations. Author: If you like a particular author, you might enjoy more of their work.
4. How do I take care of 2008 Acura Tsx Bypass Hose Manual books? Storage: Keep them away from direct sunlight and in a dry environment. Handling: Avoid folding pages, use bookmarks, and handle them with clean hands. Cleaning: Gently dust the covers and pages occasionally.
5. Can I borrow books without buying them? Public Libraries: Local libraries offer a wide range of books for borrowing. Book Swaps: Community book exchanges or online platforms where people exchange books.
6. How can I track my reading progress or manage my book collection? Book Tracking Apps: Goodreads, LibraryThing, and Book Catalogue are popular apps for tracking your reading progress and managing book collections. Spreadsheets: You can create your own spreadsheet to track books read, ratings, and other details.
7. What are 2008 Acura Tsx Bypass Hose Manual audiobooks, and where can I find them? Audiobooks: Audio recordings of books, perfect for listening while commuting or multitasking. Platforms: Audible, LibriVox, and Google Play Books offer a wide selection of audiobooks.
8. How do I support authors or the book industry? Buy Books: Purchase books from authors or independent bookstores. Reviews: Leave reviews on platforms like Goodreads or Amazon. Promotion: Share your favorite books on social media or recommend them to friends.
9. Are there book clubs or reading communities I can join? Local Clubs: Check for local book clubs in libraries or community centers. Online Communities: Platforms like Goodreads have virtual book clubs and discussion groups.
10. Can I read 2008 Acura Tsx Bypass Hose Manual books for free? Public Domain Books: Many classic books are available for free as they're in the public domain. Free E-books: Some websites offer free e-books legally, like Project Gutenberg or Open Library.

## **Find 2008 Acura Tsx Bypass Hose Manual :**

**audi a6 2005 owner manual**

*audi a3 sunroof manual*



**audi a4 b5 service repair manual 1997 1998 1999 2000**

audi a4 b5 coilovers

audemars piguet offshore royal oak

audi a3 2006 service zurckstellen

aaa educational review manual in urology

audemars piguet royal oak review 15400

audi a4 b5 avant 1994 2001 factory service repair manual

att blackberry curve user guide

**audelagrade des teacutenegrabres le sabre de leacutepervier noir t**

**audemars piguet royal oak price malaysia**

**audi a4 brake repair**

**audi a4 fuse box key**

audi a6 2001 service and repair manual

**2008 Acura Tsx Bypass Hose Manual :**

**suchergebnis auf amazon de für meine fussballfreunde bücher** - Apr 30 2022

web online shopping mit großer auswahl im bücher shop

meine freunde fußball amazon de bücher - Dec 27 2021

web 5 0 von 5 sternen meine freunde kundenrezension aus deutschland am 10 november 2013 verifizierter kauf als geburtstagsgeschenk kam es total gut an alle wollten sofort auch eins haben sehr schön zum einschreiben eine tolle erinnerung für später lese weiter

**freundebuch meine freunde fußballfreunde bei ebook de** - Mar 30 2022

web freundebuch meine freunde fußballfreunde fußballfreunde empfohlen ab 6 jahre m zahlreiche farbige illustriert hardcover mit spotlack kinder jugendliche buch gebunden bei ebook de

freundebuch meine freunde fußballfreunde von ex libris - Feb 09 2023

web das freundebuch für alle fußballfans auf den 96 fröhlichen und farbenfrohen seiten dieses albums ist viel platz zum eintragen malen und einkleben rund um den schönsten ballsport der welt hardcover mit spotlack produktinformationen titel freundebuch meine freunde fußballfreunde untertitel best nr 92865 illustrator reiner stolte ean

suchergebnis auf amazon de für freundebuch fußball - Jun 01 2022

web apr 1 2016 freundebuch für fußballer 100 seiten im a5 format dein fußball freundschaftsbuch für einträge von bis zu 50

freunden geeignet von jörg patrick 10 juli 2021

**freundebuch meine freunde fußballfreunde stolte reiner** - Oct 05 2022

web freundebuch meine freunde fußballfreunde finden sie alle bücher von stolte reiner illustrator bei der büchersuchmaschine eurobuch com können sie antiquarische und neubücher vergleichen und sofort zum bestpreis bestellen

**freundebuch meine freunde fußballfreunde amazon de** - Jul 14 2023

web freundebuch meine freunde fußballfreunde reiner stolte isbn 4050003928654 kostenloser versand für alle bücher mit versand und verkauf duch amazon

**freundebuch meine freunde fußballfreunde ich bin schulkind** - Sep 04 2022

web tolles freundebuch tolles einschulungsgeschenk schneller versand 10 jahre erfahrung jetzt beim experten bestellen das freundebuch für alle fußballfans auf den 96 fröhlichen und farbenfrohen seiten dieses albums ist

**freundebuch meine freunde fußballfreunde bücher de** - Aug 15 2023

web das freundebuch für alle fußballfans auf den 96 fröhlichen und farbenfrohen seiten dieses albums ist viel platz zum eintragen malen und einkleben rund um den schönsten ballsport der welt stöbern sie im onlineshop von buecher de und kaufen sie ihre artikel versandkostenfrei und ohne mindestbestellwert

**meine mannschaft meine freunde das freundebuch für 22** - Dec 07 2022

web dieses buch ist ideal zu verschenken das freundebuch beinhaltet platz für 22 spieler die spieler können auf ihrer ersten seite in dem wappen ihre fussballerischen fähigkeiten eintragen ein bild einkleben und persönliche daten angeben

*meine freunde motiv fußball freundebuch eintragsbuch* - Jul 02 2022

web meine freunde motiv fußball freundebuch eintragsbuch poesiealbum für kinder ab 6 jahre eintragsbücher loewe eintragsbücher krause joachim isbn 9783785580189 kostenloser versand für alle bücher mit versand und verkauf duch amazon

**freundebuch kaufen spielwaren thalia** - Jun 13 2023

web das freundebuch für alle fußballfans auf den 96 fröhlichen und farbenfrohen seiten dieses albums ist viel platz zum eintragen malen und einkleben rund um den schönsten ballsport der welt weitere artikel von copenrath meine freunde

**freundebuch fußball meine freunde bücher de** - Jan 08 2023

web freundebuch fußball meine freunde portofrei bei bucher de bestellen das freundebuch für coole fußballfans auf 96 seiten können sich die ganze mannschaft und noch viele mehr verewigen für alle wichtigen geburtstage gibt es einen geburtstagskalender

*freundebuch meine freunde fußballfreunde 2016* - Feb 26 2022

web entdecken sie freundebuch meine freunde fußballfreunde 2016 gebundene ausgabe in der großen auswahl bei ebay

kostenlose lieferung für viele artikel

*dfb freunde buch meine freunde amazon de bücher* - Apr 11 2023

web 9 99 weitere in den kategorien neu und gebraucht ab 2 38 dieses freundealbum ist genau das richtige für echte fußballfans denn hier sind alle topspieler der deutschen nationalelf versammelt und deine freunde haben genug platz sich einzutragen und dir einiges über sich zu verraten

*meine schulfreunde fußball freunde buch für die schule* - Jan 28 2022

web ein wunderschönes freunde buch zur erinnerung an alle freunde aus der grundschule alle deine schulfreunde können sich in diesem album eintragen etwas über sich erzählen und so für immer in bester erinnerung bleiben auf zwei doppelseite kann jedes kind einfache und lustige fragen beantworten

freunde buch meine freunde sport amazon de bücher - Nov 06 2022

web freunde buch meine freunde sport gebundene ausgabe 16 januar 2018 das freunde buch für alle sportfans die 96 seiten bieten coole illustrationen und fotos zu den sportarten skaten surfen snowboarden basketball spielen und bmx fahren für alle geburtstage gibt es einen geburtstagskalender

*freunde buch fußball meine freunde gebundene ausgabe amazon de* - May 12 2023

web ein cooles freunde buch für coole jungs die gerne fußball mögen es ist überhaupt nicht so kindisch wie andere freunde bücher mit coolen fragen z b lieblings trikot nummer super geeignet für die grundschule aber auch darüber hinaus

**freunde buch meine freunde kaufen tausendkind de** - Aug 03 2022

web produktinformationen zu freunde buch meine freunde das freunde buch für alle fußballfans auf den 96 fröhlichen und farbenfrohen seiten dieses albums ist viel platz zum eintragen malen und einkleben rund um den schönsten ballsport der welt

**freunde buch meine freunde fußballfreunde bei hugendubel** - Mar 10 2023

web freunde buch meine freunde fußballfreunde buch gebunden bei hugendubel de online bestellen oder in der filiale abholen

**principles of math 12 permutations and** - Jan 07 2023

web answer key permutation answers 1 a permutation is a set of items from a group with a specific order 2 p 6 6 4 p 720 2 360 3 1 6 1 6 1 6 0 0046

**12 2 permutations and combinations mathematics libretex** - Aug 14 2023

web so the number of different possibilities for the three offices can be found with the formula for permutations 10 10 9 8 7 6 5 4 3 2 1 10p 3 10 9 8 720

7 6 probability with permutations and combinations - Aug 02 2022

web in mathematics and statistics permutations vs combinations are two different ways to take a set of items or options and

create subsets for example if you have ten people

[5 5 permutations and combinations statistics libretexts](#) - May 31 2022

web nov 26 2018 i want to start with some questions about the basics developing the concepts of permutation and combination and seeing where the formulas for them

**accelerated math answer key permutations and combinations** - Nov 05 2022

web jun 15 2023 permutation vs combination let us clarify further the difference between a permutation and a combination when we say permutation the order of the

[permutations worksheets math worksheets center](#) - Feb 25 2022

web sep 10 2023 download the below pdf and refer to the important questions on permutation and combinations for jee advanced 2023 students are required to know

**permutation and combination examples with answers filipiknow** - Jul 01 2022

web demonstrates how to use the permutation equation to determine the possible number of outcomes for an event a permutation is a selection of objects in which the order of the

**ncert solutions for class 11 maths chapter 7** - Mar 09 2023

web accelerated math answer key permutations and combinations computational optimal transport how students learn principles and standards for school mathematics

*counting permutations and combinations khan academy* - Apr 10 2023

web welcome to advancedhighermaths co uk a sound understanding of combinations permutations is essential to ensure exam success study at advanced higher maths

**jee advanced permutations and combinations important** - Oct 24 2021

**combinations or permutations teaching resources tpt** - Nov 24 2021

[permutations and combinations resources](#) - Jul 13 2023

web this section covers permutations and combinations arranging objects the number of ways of arranging  $n$  unlike objects in a line is  $n!$  pronounced  $n$  factorial  $n \times n \times n \times \dots \times 1$

**combinations and permutations math is fun** - May 11 2023

web what are permutations and combinations in statistics we will often come across situations that entail a series or cadre of events when it comes to defining the order of

**permutations and combinations worksheets math** - Feb 08 2023

web permutations combinations you need to put your reindeer prancer quentin rudy and jebediah in a single file line to pull your sleigh however rudy and prancer are

*permutations and combinations maths a level* - Jun 12 2023

web learn about factorial permutations and combinations and look at how to use these ideas to find probabilities how many outfits can you make from the shirts pants and socks in

*permutation vs combination differences examples* - Mar 29 2022

web pdf this set of 17 word problems in the circuit format will give your algebra 2 or precalculus students good practice with permutations combinations and the multiplication

**combinations permutations advanced higher maths** - Dec 06 2022

web using permutations to compute probabilities recall that we can use permutations to count how many ways there are to put a number of items from a list in order if we re

*teaching permutations advice and activities for your class* - Dec 26 2021

**permutations and combinations an introduction the math doctors** - Jan 27 2022

web q let  $n \geq 2$  be an integer take  $n$  distinct points on a circle and join each pair of points by a line segment colour the line segment joining every pair of adjacent points by blue

algebra i assignment combinations permutations problems - Sep 03 2022

web permutations and combinations the various ways in which objects from a set may be selected generally without replacement to form subsets this selection of subsets is

permutations combinations practice khan academy - Oct 04 2022

web apr 23 2022 list all permutations and combinations apply formulas for permutations and combinations this section covers basic formulas for determining the number of

**permutation combination jee advanced previous year** - Sep 22 2021

**permutations and combinations description examples formula** - Apr 29 2022

web nov 2 2018 a topic that students generally find quite challenging at as level is permutations and combinations experience as teachers shows us that a high

**john deere lt150 lt160 lt170 lt180 lt190 lawn tractors** - Nov 11 2022

web jul 5 2023 john deere lt150 engines 15hp kohler 1 cyl gasoline 15hp kohler 426cc 1 cyl gasoline fuel tank 2 gal 7 6 l engine details john deere lt150 transmissions

**tractordata com john deere lt150 tractor information** - Jun 06 2022

web apr 8 2020 john deere lt150 lt160 lt170 lt180 lawn garden tractor service repair manual instant download  
imanualonline com

john deere lt150 lt160 lt170 lt180 lawn garden - Jan 01 2022

**john deere lt150 160 170 180 190 lawn tractors manual tm** - Apr 04 2022

**tm1975 john deere lt150 lt160 lt170 lt180** - Apr 16 2023

web technical manual john deere lt150 lt160 lt170 lt180 lt190 lawn tractors this manual contains high quality images  
diagrams instructions to help you to operate

john deere lt150 lt160 tractors operator s manual - Feb 02 2022

*john deere lt150 lt160 lt170 lt180 lt190* - Aug 20 2023

web john deere worldwide commercial consumer equipment division 1975 aug 2002 lawn tractors lt150 160 170 180  
technical manual north american

**john deere lt150 lt160 lt170 lt180 lawn** - Sep 21 2023

web mar 21 2018 specifications and information table of contents engine kohler specifications and information identification  
numbers engine briggs stratton

**john deere lt150 lt160 lt170 lt180 lawn tractors** - Mar 03 2022

john deere lt150 lt160 lt170 lt180 lt190 lawn tractors - Jan 13 2023

web purposes of this manual are to let users of john deere lt150 lt160 lt170 lt180 lawn garden tractor understand the  
construction basic maintenance and repair

**john deere lt150 lawn tractor maintenance guide parts list** - Sep 09 2022

web nov 4 2018 repair and service manual therepairmanual com shop john deere john deere lt150 lt160 lt170 lt180 lt190  
lawn tractors technical manual tm 1975

john deere lt150 lt160 lawn tractors operator s manual - Oct 10 2022

web john deere lt150 lt160 lt170 lt180 lawn garden tractor service repair manual is divided by illustrations to show you the  
detailed structure and functions of the

john deere lt150 lawn and garden tractor service - Jun 18 2023

web this highly detailed pdf manual covers all repairs servicing and troubleshooting procedures all technical details taken directly from the manufacturer can be found in this

*john deere lt150 lt160 lt170 lt180 lt190 lawn tractors* - Feb 14 2023

web john deere lt150 maintenance guide identifies service schedule parts maintenance intervals common john deere parts for this model

**john deere lt150 lt160 lt170 lt180 lawn garden** - May 05 2022

web this is a current model and under manufacturer s oem warranty please see warranty statement and contact your dealer before repairing find your owner s manual and

**lt155 owner information parts service john deere us** - Nov 30 2021

**john deere lt150 lawn garden tractor service repair manual issuu** - Jul 19 2023

web john deere lt150 lt160 lt170 lt180 lt190 lawn tractors service technical manual tm1975 when your john deere lt150 lt160 lt170 lt180 lt190 lawn

*john deere lt150 lawn and garden tractor service manual* - Oct 22 2023

web mar 7 2013 john deere lt150 lawn and garden tractor technical manual tm1975 386 pages in pdf format 47 8 mb in zip format for super fast downloads this factory john

**worldwide commercial consumer equipment** - May 17 2023

web this manual content all service repair maintenance troubleshooting procedures for john deere lt150 160 170 180 lawn and garden tractors all major topics are covered step

**john deere lt150 lt160 lt170 lt180 lawn garden** - Aug 08 2022

web john deere lt150 lt160 lt170 lt180 lawn tractors service repair manual the technical guide is a digital technical carrier guide that is supposed to enhance the

**john deere lt150 160 170 180 lawn and garden tractors a** - Dec 12 2022

web 29 00 factory technical manual for john deere lawn tractor manual contains illustrations instructions diagrams for step by step remove and install assembly and

**manuals and training parts service john deere us** - Mar 15 2023

web the john deere lt150 lt160 lawn tractors operator s manual helps the members of the organisation to reliably and efficiently carry out their tasks with consistent results a good

*john deere lt150 lt160 lt170 lt180 lt190 technical repair* - Jul 07 2022

web jun 10 2020 price 29 99 john deere lt150 lt160 operator manual the machine shown in this manual may differ slightly

from your machine but will be similar