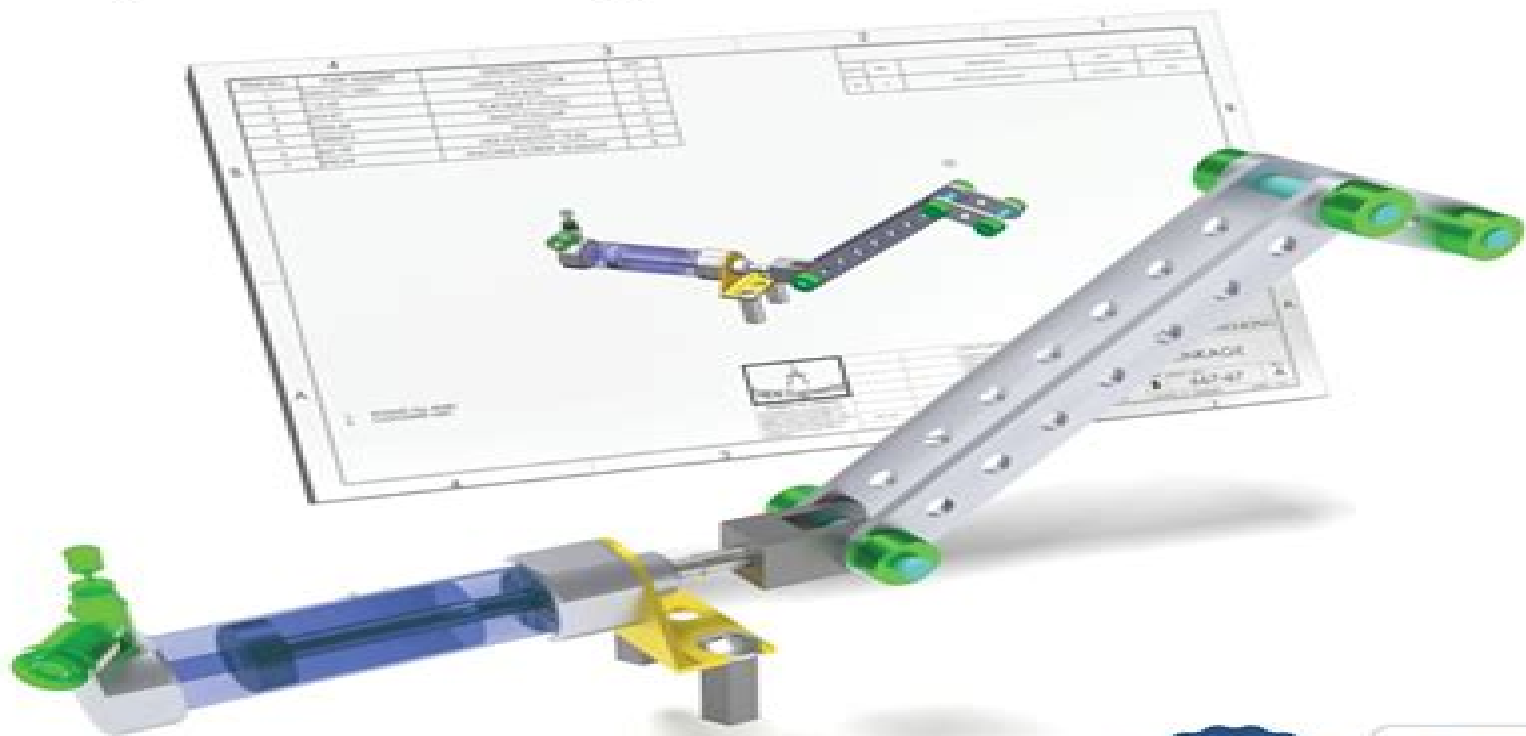


SOLIDWORKS 2024 Tutorial

A Step-by-Step Project Based Approach
Utilizing 3D Solid Modeling

Includes
SOLIDWORKS and
3DEXPERIENCE eBook



David C. Planchard, CSWP,
SOLIDWORKS Accredited Educator



SDC
PUBLICATIONS

Better Textbooks. Lower Prices.
www.SDCpublications.com



ACCESS CODE
UNIQUE CODE INSIDE

2011 Solidworks Drawing Training Manual

Linkan Sagar



2011 Solidworks Drawing Training Manual:

SolidWorks 2011 Assemblies Bible Matt Lombard,2011-07-12 A fan of the SolidWorks Bible but want more detail on assemblies Here you go SolidWorks fans have long sought more detail on SolidWorks topics and now you have it We took our popular SolidWorks Bible divided it into two books SolidWorks 2011 Assemblies Bible and SolidWorks 2011 Parts Bible and packed each new book with a host of items from your wish lists such as more extensive coverage of the basics additional tutorials and expanded coverage of topics largely ignored by other books This SolidWorks 2011 Assemblies Bible shows you how to organize parts data to create assemblies or subassemblies using the latest version of the 3D solid modeling program SolidWorks Thoroughly describes best practices and beginning to advanced techniques using both video and text Explains and thoroughly covers every assembly function and is written in a way that enables the reader to make better decisions while using the software Written by well known and well respected SolidWorks guru Matt Lombard Can stand alone or also with the SolidWorks 2011 Parts Bible for a complete SolidWorks reference set Keep both the SolidWorks 2011 Assemblies Bible and the SolidWorks 2011 Parts Bible on your desk and you ll have the best resource set out there on SolidWorks

Beginner's Guide to SolidWorks 2011 Level I Alejandro Reyes,2011-03-18 This book is intended to help new users to learn the basic concepts of SolidWorks and good solid modeling techniques in an easy to follow guide It will be a great starting point for those new to SolidWorks or as a teaching aid in classroom training to become familiar with the software s interface basic commands and strategies as the user completes a series of models while learning different ways to accomplish a particular task At the end of this book the user will have a fairly good understanding of the SolidWorks interface and the most commonly used commands for part modeling assembly and detailing after completing a series of components and their 2D drawings complete with Bill of Materials The book is focused on the processes to complete the modeling of a part instead of focusing on individual software commands or operations which are generally simple enough to learn The author strived hard to include the commands required in the Certified SolidWorks Associate test as listed in the SolidWorks website and some more SolidWorks is an easy to use CAD software that includes many time saving tools that will enable new and experienced users to complete design tasks faster than before Most commands covered in this book have advanced options which may not be covered in this book This is meant to be a starting point to help new users to learn the basic and most frequently used commands

SolidWorks 2011 Tutorial David C. Planchard,Marie P. Planchard,2011-02-11 SolidWorks 2011 Tutorial with Multimedia CD is target towards a technical school two year college four year university or industry professional that is a beginner or intermediate CAD user The text provides a student who is looking for a step by step project based approach to learning SolidWorks with an enclosed 1 5 hour Multi media CD SolidWorks model files and preparation for the CSWA exam The book is divided into two sections Chapters 1 7 explore the SolidWorks User Interface and CommandManager Document and System properties simple machine parts simple and complex assemblies design tables

configurations multi sheet multiview drawings BOMs Revision tables using basic and advanced features along with Intelligent Modeling Techniques SustainabilityXpress SimulationXpress and DFMXpress Chapters 8 11 prepare you for the new Certified SolidWorks Associate Exam CSWA that was released this year The CSWA certification indicates a foundation in and apprentice knowledge of 3D CAD and engineering practices and principles Follow the step by step instructions and develop multiple assemblies that combine over 100 extruded machined parts and components Formulate the skills to create modify and edit sketches and solid features Learn the techniques to reuse features parts and assemblies through symmetry patterns copied components design tables and configurations Learn by doing not just by reading Desired outcomes and usage competencies are listed for each chapter Know your objective up front Follow the steps in each chapter to achieve your design goals Work between multiple documents features commands custom properties and document properties that represent how engineers and designers utilize SolidWorks in industry [Commands Guide Tutorial for SolidWorks 2011](#) David C. Planchard, Marie P. Planchard, 2010 The Commands Guide Tutorial for SolidWorks 2011 is a comprehensive reference book written to assist the beginner to intermediate user of SolidWorks 2011 SolidWorks is an immense software package and no one book can cover all topics for all users The book provides a centralized reference location to address many of the tools features and techniques of SolidWorks 2011 This book covers the following System and Document properties FeatureManagers PropertyManagers ConfigurationManagers RenderManagers 2D and 3D Sketch tools Sketch entities 3D Feature tools Motion Study Sheet Metal Motion Study Sustainability Sustainability Xpress FlowXpress PhotoView 360 Pack and Go Intelligent Modeling techniques and more Chapter 1 provides a basic overview of the concepts and terminology used throughout this book using SolidWorks 2011 software If you are completely new to SolidWorks you should read Chapter 1 in detail and complete Tutorial 1 Tutorial 2 and Tutorial 3 in the SolidWorks Tutorials If you are familiar with an earlier release of SolidWorks you might still want to skim Chapter 1 to get acquainted with some of the new commands menus and features that you haven't used or you can simply jump to any section in any chapter Each chapter 18 total provides detailed PropertyManager information on key topics with individual stand alone short tutorials to reinforce and demonstrate the functionality and ease of the SolidWorks tool or feature All models for the 240 plus tutorials are provided on the enclosed book CD with their solution initial and final Learn by doing not just reading Formulate the skills to create modify and edit sketches and solid features You will also learn the techniques to reuse features parts and assemblies through symmetry patterns copied components design tables configurations and more The book is designed to compliment the Online Tutorials and Online Help contained in SolidWorks 2011 The goal is to illustrate how multiple design situations and systematic steps combine to produce successful designs **Beginner's Guide to SolidWorks 2011 Level II** Alejandro Reyes, 2011-03-21 Beginner's Guide to SolidWorks 2011 Level II starts where Beginner's Guide Level I ends following the same easy to read style but this time covering advanced topics and techniques The purpose of this book is to teach advanced

techniques including sheet metal surfacing how to create components in the context of an assembly and reference other components Top down design propagate design changes with SolidWorks parametric capabilities mold design welded structures and more while explaining the basic concepts of each trade to allow the reader to understand the how and why of each operation The author uses simple examples to allow the reader to better understand each command and environment as well as to make it easier to explain the purpose of each step maximizing the learning time by focusing on one task at a time The book is focused on the processes to complete the modeling of a part instead of focusing on individual software commands or operations which are generally simple enough to learn At the end of this book the reader will have acquired enough skills to be highly competitive when it comes to designing with SolidWorks and while there are many less frequently used commands and options available that will not be covered in this book rest assured that those covered are most of the commands used every day by SolidWorks designers The author strived hard to include the commands required in the Certified SolidWorks Associate test as listed in the SolidWorks website and some more *SolidWorks 2019 Training Guide* Linkan Sagar,2019-09-19 Designed to provide an insight into the Mechanical Design concept DESCRIPTION The book promises to make you understand and practice the SolidWorks framework The aim of this book is to take you on a journey to all the phases of SolidWorks SolidWorks is an innovative next generation industry software that allows you to solve and understand the designing and mechanical problems SolidWorks uses a technical implementation approach for sketching surfacing and sheet metal drafting in an incremental and easy way The main objective of this book is to make the reader understand the concepts of design based on practical knowledge rather than theoretical knowledge KEY FEATURES Each command is explained in a simple and understandable manner Step by step explanation Practical knowledge rather than theoretical knowledge Covers all the modules of SolidsWorks 2019 WHAT WILL YOU LEARN SolidWorks and its GUI Sketches Line Rectangle Slot Circle ARC Polygon and Spline Extrude Revolved Swept Loft Boundary Filt and Chamfer Surface Extruded Revolved Swept Lofted Boundary Filled and Planner Sheet metal Base flange tab Edge flange Miter flange and Hem Weldments Structural member Trim Extend End cap and Gusset Curves Mold design Drafting Assembly WHO THIS BOOK IS FOR Mechanical engineers and designers automobile engineers product designers heavy vehicle designers Table of Contents _1 Introduction and Overview 2 Sketch 3 Features 4 Surface 5 Sheet Metal 6 Weldments 7 Curves 8 Mold Design 9 Assembly 10 Drafting **SolidWorks 2011 Part I - Basic Tools** Paul Tran,2011 SolidWorks 2011 Part I Basic Tools introduces new users to the SolidWorks interface SolidWorks tools and basic modeling techniques It provides readers with a strong understanding of SolidWorks and covers the creation of parts assemblies and drawings Every lesson and exercise in this book was created based on real world projects Each of these projects have been broken down and developed into easy and comprehensible steps for the reader Furthermore at the end of every chapter there are self test questionnaires to ensure that the reader has gained sufficient knowledge from each section before moving on to more advanced lessons This book

takes the approach that in order to understand SolidWorks inside and out the reader should create everything from the beginning and take it step by step *Engineering Graphics with SolidWorks 2013 and Video Instruction* David Planchard, Marie Planchard, 2013-02-18 *Engineering Graphics with SolidWorks 2013 and Video Instruction* DVD is written to assist technical school two year college four year university instructor student or industry professional that is a beginner or intermediate SolidWorks user The book combines the fundamentals of engineering graphics and dimensioning practices with a step by step project based approach to learning SolidWorks with the enclosed 1 5 hour Video Instruction DVD Learn by doing not just by reading The book is divided into two parts Engineering Graphics and SolidWorks 3D CAD software In Chapter 1 through Chapter 3 you explore the history of engineering graphics manual sketching techniques orthographic projection isometric projection multi view drawings dimensioning practices and the history of CAD leading to the development of SolidWorks In Chapter 4 through Chapter 8 you apply engineering graphics fundamentals and learn the SolidWorks User Interface Document and System properties simple parts simple and complex assemblies design tables configurations multi sheet multi view drawings Bill of Materials Revision tables basic and advanced features Follow the step by step instructions in over 70 activities to develop eight parts four sub assemblies three drawings and six document templates Formulate the skills to create and modify solid features to model a 3D FLASHLIGHT assembly Chapter 9 provides a bonus section on the Certified SolidWorks Associate CSWA program with sample exam questions and initial and final SolidWorks models Passing the CSWA exam proves to employers that you have the necessary fundamental engineering graphics and SolidWorks competencies Review individual features commands and tools for each project with the book s 1 5 hour Video Instruction DVD and SolidWorks Help The chapter exercises analyze and examine usage competencies based on the project objectives The book is designed to complement the SolidWorks Tutorials located in the SolidWorks Help menu Each section explores the SolidWorks Online User s Guide to build your working knowledge of SolidWorks Desired outcomes and usage competencies are listed for each project Know your objectives up front Follow the step by step procedures to achieve your design goals Work between multiple documents features commands and properties that represent how engineers and designers utilize SolidWorks in industry The authors developed the industry scenarios by combining their own industry experience with the knowledge of engineers department managers vendors and manufacturers These professionals are directly involved with SolidWorks every day Their responsibilities go far beyond the creation of just a 3D model

Drawing and Detailing With Solidworks 2012 David Planchard, Marie Planchard, 2012-05-11 *Drawing and Detailing with SolidWorks 2012* is written to educate and assist students designers engineers and professionals in the drawing and detailing tools of SolidWorks Explore the learning process through a series of design situations industry scenarios projects and objectives target towards the beginning to intermediate SolidWorks user Work through numerous activities to create multiple view multiple sheet detailed drawings and assembly drawings Develop Drawing templates Sheet formats and Custom

Properties Construct drawings that incorporate part configurations assembly configurations and design tables with equations Manipulate annotations in parts drawings assemblies Revision tables Bills of Materials and more Apply your drawing and detailing knowledge to over thirty exercises The exercises test your usage competency as well as explore additional topics with industry examples Advanced exercises require the ability to create parts and assemblies Drawing and Detailing with SolidWorks 2012 is not a reference book for all drafting and drawing techniques and tools The book provides information and examples in the following areas History of engineering graphics manual sketching techniques orthographic projection isometric projection multi view drawings dimensioning practices fasteners in general tolerance and fit and the history of CAD leading to the development of SolidWorks Start a SolidWorks 2012 session and to understand the following interfaces Menu bar toolbar Menu bar menu Drop down menus Context toolbars Consolidated drop down toolbars System feedback icons Confirmation Corner Heads up View toolbar Document Properties and more Apply Document Properties to reflect the ASME Y14 Engineering Drawing and related Drawing Practices Import an AutoCAD file as a Sheet format Insert SolidWorks System Properties and Custom Properties Create new SolidWorks Document tabs Create multi sheet drawings from various part configurations and develop the following drawing views Standard Isometric Auxiliary Section Broken Section Detail Half Section Cut away Crop Projected Back with a Bill of Materials and a Revision Table and Revisions Insert and edit Dimensions Feature Control Frames Datums Geometric Tolerancing Surface Finishes and Weld Symbols using DimXpert and manual techniques Create apply and save Blocks and Parametric Notes in a drawing Chapter 10 provides a bonus section on the Certified SolidWorks Associate CSWA program with sample exam questions and initial and final SolidWorks models The book is designed to compliment the SolidWorks Users Guide SolidWorks Reference Guide Standards Engineering Drawing Design and Graphics Communications reference books The authors recognize that companies utilize additional drawing standards The authors developed the industry scenarios by combining industry experience with their knowledge of engineers sales vendors and manufacturers These professionals are directly involved with SolidWorks everyday Their work goes far beyond a simple drawing with a few dimensions They create detailed drawings assembly drawings marketing drawings and customer drawings SolidWorks users work between drawings parts assemblies and many other documents to complete a project on time

SolidWorks 2011 Parts and Assemblies Bible, Two-Volume Set Matt Lombard,2012-05-03 A comprehensive e book package for SolidWorks users SolidWorks is a powerful 3D solid modeler used in computer aided design CAD Popular for its drag and drop point and click and cut and paste functions SolidWorks is complex and the detail found in these two comprehensive guides gives new users everything they need to become productive with the program This e book set features in depth instruction and complete tutorials on parts making part models and drawings of those parts and assemblies building assemblies and creating assembly drawings Together they provide the knowledge you need to get up and running with SolidWorks 2011 SolidWorks 2011 is a complex 3D solid modeling program the two in depth guides in this e book set cover

making parts models and building assemblies as well as creating drawings of both Set includes complete e book versions of SolidWorks 2011 Parts Bible and SolidWorks 2011 Assemblies Bible Written by a veteran manufacturing engineer and consultant who does SolidWorks training maintains a SolidWorks blog and is known as the go to guy for information about the software Covers both the how and why of SolidWorks with extensive detail that will take you from novice to confident SolidWorks user SolidWorks 2011 Parts Assemblies Set provides a comprehensive education in using this popular 3D solid modeling program SolidWorks 2011 Parts Assemblies Set provides a comprehensive education in using this popular 3D solid modeling program

If you ally compulsion such a referred **2011 Solidworks Drawing Training Manual** books that will present you worth, get the extremely best seller from us currently from several preferred authors. If you desire to humorous books, lots of novels, tale, jokes, and more fictions collections are along with launched, from best seller to one of the most current released.

You may not be perplexed to enjoy every books collections 2011 Solidworks Drawing Training Manual that we will completely offer. It is not a propos the costs. Its nearly what you need currently. This 2011 Solidworks Drawing Training Manual, as one of the most keen sellers here will no question be among the best options to review.

https://legacy.tortoisemedia.com/About/uploaded-files/fetch.php/Quick_Start_Gothic_Romance.pdf

Table of Contents 2011 Solidworks Drawing Training Manual

1. Understanding the eBook 2011 Solidworks Drawing Training Manual
 - The Rise of Digital Reading 2011 Solidworks Drawing Training Manual
 - Advantages of eBooks Over Traditional Books
2. Identifying 2011 Solidworks Drawing Training Manual
 - Exploring Different Genres
 - Considering Fiction vs. Non-Fiction
 - Determining Your Reading Goals
3. Choosing the Right eBook Platform
 - Popular eBook Platforms
 - Features to Look for in an 2011 Solidworks Drawing Training Manual
 - User-Friendly Interface
4. Exploring eBook Recommendations from 2011 Solidworks Drawing Training Manual
 - Personalized Recommendations
 - 2011 Solidworks Drawing Training Manual User Reviews and Ratings
 - 2011 Solidworks Drawing Training Manual and Bestseller Lists
5. Accessing 2011 Solidworks Drawing Training Manual Free and Paid eBooks

- 2011 Solidworks Drawing Training Manual Public Domain eBooks
 - 2011 Solidworks Drawing Training Manual eBook Subscription Services
 - 2011 Solidworks Drawing Training Manual Budget-Friendly Options
6. Navigating 2011 Solidworks Drawing Training Manual eBook Formats
- ePub, PDF, MOBI, and More
 - 2011 Solidworks Drawing Training Manual Compatibility with Devices
 - 2011 Solidworks Drawing Training Manual Enhanced eBook Features
7. Enhancing Your Reading Experience
- Adjustable Fonts and Text Sizes of 2011 Solidworks Drawing Training Manual
 - Highlighting and Note-Taking 2011 Solidworks Drawing Training Manual
 - Interactive Elements 2011 Solidworks Drawing Training Manual
8. Staying Engaged with 2011 Solidworks Drawing Training Manual
- Joining Online Reading Communities
 - Participating in Virtual Book Clubs
 - Following Authors and Publishers 2011 Solidworks Drawing Training Manual
9. Balancing eBooks and Physical Books 2011 Solidworks Drawing Training Manual
- Benefits of a Digital Library
 - Creating a Diverse Reading Collection 2011 Solidworks Drawing Training Manual
10. Overcoming Reading Challenges
- Dealing with Digital Eye Strain
 - Minimizing Distractions
 - Managing Screen Time
11. Cultivating a Reading Routine 2011 Solidworks Drawing Training Manual
- Setting Reading Goals 2011 Solidworks Drawing Training Manual
 - Carving Out Dedicated Reading Time
12. Sourcing Reliable Information of 2011 Solidworks Drawing Training Manual
- Fact-Checking eBook Content of 2011 Solidworks Drawing Training Manual
 - Distinguishing Credible Sources
13. Promoting Lifelong Learning
- Utilizing eBooks for Skill Development

- Exploring Educational eBooks
- 14. Embracing eBook Trends
 - Integration of Multimedia Elements
 - Interactive and Gamified eBooks

2011 Solidworks Drawing Training Manual Introduction

Free PDF Books and Manuals for Download: Unlocking Knowledge at Your Fingertips In today's fast-paced digital age, obtaining valuable knowledge has become easier than ever. Thanks to the internet, a vast array of books and manuals are now available for free download in PDF format. Whether you are a student, professional, or simply an avid reader, this treasure trove of downloadable resources offers a wealth of information, conveniently accessible anytime, anywhere. The advent of online libraries and platforms dedicated to sharing knowledge has revolutionized the way we consume information. No longer confined to physical libraries or bookstores, readers can now access an extensive collection of digital books and manuals with just a few clicks. These resources, available in PDF, Microsoft Word, and PowerPoint formats, cater to a wide range of interests, including literature, technology, science, history, and much more. One notable platform where you can explore and download free 2011 Solidworks Drawing Training Manual PDF books and manuals is the internet's largest free library. Hosted online, this catalog compiles a vast assortment of documents, making it a veritable goldmine of knowledge. With its easy-to-use website interface and customizable PDF generator, this platform offers a user-friendly experience, allowing individuals to effortlessly navigate and access the information they seek. The availability of free PDF books and manuals on this platform demonstrates its commitment to democratizing education and empowering individuals with the tools needed to succeed in their chosen fields. It allows anyone, regardless of their background or financial limitations, to expand their horizons and gain insights from experts in various disciplines. One of the most significant advantages of downloading PDF books and manuals lies in their portability. Unlike physical copies, digital books can be stored and carried on a single device, such as a tablet or smartphone, saving valuable space and weight. This convenience makes it possible for readers to have their entire library at their fingertips, whether they are commuting, traveling, or simply enjoying a lazy afternoon at home. Additionally, digital files are easily searchable, enabling readers to locate specific information within seconds. With a few keystrokes, users can search for keywords, topics, or phrases, making research and finding relevant information a breeze. This efficiency saves time and effort, streamlining the learning process and allowing individuals to focus on extracting the information they need. Furthermore, the availability of free PDF books and manuals fosters a culture of continuous learning. By removing financial barriers, more people can access educational resources and pursue lifelong learning, contributing to personal growth and professional development. This democratization of knowledge promotes

intellectual curiosity and empowers individuals to become lifelong learners, promoting progress and innovation in various fields. It is worth noting that while accessing free 2011 Solidworks Drawing Training Manual PDF books and manuals is convenient and cost-effective, it is vital to respect copyright laws and intellectual property rights. Platforms offering free downloads often operate within legal boundaries, ensuring that the materials they provide are either in the public domain or authorized for distribution. By adhering to copyright laws, users can enjoy the benefits of free access to knowledge while supporting the authors and publishers who make these resources available. In conclusion, the availability of 2011 Solidworks Drawing Training Manual free PDF books and manuals for download has revolutionized the way we access and consume knowledge. With just a few clicks, individuals can explore a vast collection of resources across different disciplines, all free of charge. This accessibility empowers individuals to become lifelong learners, contributing to personal growth, professional development, and the advancement of society as a whole. So why not unlock a world of knowledge today? Start exploring the vast sea of free PDF books and manuals waiting to be discovered right at your fingertips.

FAQs About 2011 Solidworks Drawing Training Manual Books

What is a 2011 Solidworks Drawing Training Manual PDF? A PDF (Portable Document Format) is a file format developed by Adobe that preserves the layout and formatting of a document, regardless of the software, hardware, or operating system used to view or print it. **How do I create a 2011 Solidworks Drawing Training Manual PDF?** There are several ways to create a PDF: Use software like Adobe Acrobat, Microsoft Word, or Google Docs, which often have built-in PDF creation tools. Print to PDF: Many applications and operating systems have a "Print to PDF" option that allows you to save a document as a PDF file instead of printing it on paper. Online converters: There are various online tools that can convert different file types to PDF. **How do I edit a 2011 Solidworks Drawing Training Manual PDF?** Editing a PDF can be done with software like Adobe Acrobat, which allows direct editing of text, images, and other elements within the PDF. Some free tools, like PDFescape or Smallpdf, also offer basic editing capabilities. **How do I convert a 2011 Solidworks Drawing Training Manual PDF to another file format?** There are multiple ways to convert a PDF to another format: Use online converters like Smallpdf, Zamzar, or Adobe Acrobats export feature to convert PDFs to formats like Word, Excel, JPEG, etc. Software like Adobe Acrobat, Microsoft Word, or other PDF editors may have options to export or save PDFs in different formats. **How do I password-protect a 2011 Solidworks Drawing Training Manual PDF?** Most PDF editing software allows you to add password protection. In Adobe Acrobat, for instance, you can go to "File" -> "Properties" -> "Security" to set a password to restrict access or editing capabilities. Are there any free alternatives to Adobe Acrobat for working with PDFs? Yes, there are many free alternatives for working with PDFs, such as: LibreOffice: Offers PDF editing

features. PDFsam: Allows splitting, merging, and editing PDFs. Foxit Reader: Provides basic PDF viewing and editing capabilities. How do I compress a PDF file? You can use online tools like Smallpdf, ILovePDF, or desktop software like Adobe Acrobat to compress PDF files without significant quality loss. Compression reduces the file size, making it easier to share and download. Can I fill out forms in a PDF file? Yes, most PDF viewers/editors like Adobe Acrobat, Preview (on Mac), or various online tools allow you to fill out forms in PDF files by selecting text fields and entering information. Are there any restrictions when working with PDFs? Some PDFs might have restrictions set by their creator, such as password protection, editing restrictions, or print restrictions. Breaking these restrictions might require specific software or tools, which may or may not be legal depending on the circumstances and local laws.

Find 2011 Solidworks Drawing Training Manual :

quick start gothic romance

[space opera for beginners](#)

sci-fi dystopia for beginners

[booktok trending ultimate guide](#)

[ultimate guide sci-fi dystopia](#)

[gothic romance pro](#)

dark romance thriller pro

cozy mystery for beginners

~~[ultimate guide space opera](#)~~

[romantasy saga quick start](#)

[booktok trending reader's choice](#)

[reader's choice myth retelling](#)

[advanced urban fantasy](#)

[award winning romantasy saga](#)

[booktok trending ultimate guide](#)

2011 Solidworks Drawing Training Manual :

[la scuola dei vampiri una storia in 5 minuti ediz illustrata](#) - Mar 15 2023

web [la scuola dei vampiri una storia in 5 minuti ediz a colori di sillani febe](#) su [abebooks](#) it isbn 10 8867144960 isbn 13

9788867144969 emme edizioni 2016

la scuola dei vampiri una storia in 5 minuti ediz - May 05 2022

web 2007 143 membri 4 stagioni 104 episodi a vampire boy that hates the sight of blood in love with a human named sunshine the odds don t look to be in oskar s favor but with the

la scuola dei vampiri una storia in 5 minuti ediz a colori - Aug 08 2022

web acquista la scuola dei vampiri una storia in 5 minuti ediz a colori su libreria universitaria spedizione gratuita sopra i 25 euro su libreria universitaria

amazon it recensioni clienti la scuola dei vampiri una storia in - Dec 12 2022

web scopri avventura alla scuola dei vampiri una storia in 10 minuti ediz a colori di sillani febe spedizione gratuita per i clienti prime e per ordini a partire da 29 spediti da amazon

avventura alla scuola dei vampiri una storia in 10 minuti ediz a - Oct 10 2022

web la scuola dei vampiri una storia in 5 minuti ediz a colori è un libro scritto da febe sillani pubblicato da emme edizioni nella collana tre passi libreria it

la scuola dei vampiri una storia in 5 minuti ediz a colori - Jul 07 2022

web il romanzo racconta la storia del tentativo di dracula di spostarsi dalla transilvania in inghilterra in modo che possa trovare nuovo sangue e diffondere la maledizione dei

la scuola dei vampiri una storia in 5 minuti ediz a colori - May 17 2023

web la scuola dei vampiri una storia in 5 minuti ediz illustrata è un libro di febe sillani pubblicato da emme edizioni nella collana tre passi acquista su lafeltrinelli a 6 18

la scuola dei vampiri una storia in 5 minuti ediz a colori tre - Sep 09 2022

web la scuola dei vampiri una storia in 5 minuti ediz a colori è un libro di sillani febe pubblicato da emme edizioni nella collana tre passi sconto 5 isbn 9788867144969

la scuola dei vampiri una storia in 5 minuti ediz a - Sep 21 2023

web la scuola dei vampiri una storia in 5 minuti ediz a colori sillani febe amazon com au books

dove guardare la serie tv scuola di vampiri in streaming online - Mar 03 2022

web la scuola dei vampiri una storia in 5 minuti febe sillani 2016 the mammoth book of victorian and edwardian ghost stories richard dalby 1995 gathers forty of the best

la scuola dei vampiri una storia in 5 minuti ediz a colori - Jun 06 2022

web la scuola dei vampiri una storia in 5 minuti ediz fuga dallo zoo una storia in 5 minuti ediz a colori jul 11 2020 la volpe in combutta con una pulce riesce a fuggire dallo

la scuola dei vampiri una storia in 5 minuti ediz - Apr 04 2022

web la storia ruota attorno alle vicende di oskar nipote del conte von horrificus iscritto alla scuola di vampiri insieme agli amici rotella lapidina klot pulvirio e perfidius la

una gara alla scuola dei vampiri una storia in 5 - Apr 16 2023

web leggo una storia in 5 minuti rex tirannosauro la scuola dei vampiri l ippopotamo impara a nuotare il cavallino a dondolo il nido nelle cavaliere t rex va a scuola ediz

la scuola dei vampiri una storia in 5 minuti ediz valerio - Jan 01 2022

amazon com au customer reviews la scuola dei vampiri una - Jun 18 2023

web ediz a colori febe sillani libro mondadori store acquista online il libro la scuola dei vampiri una storia in 5 minuti ediz a colori di febe sillani in offerta a prezzi

storie di vampiri leggo una storia in 5 minuti ediz a colori - Feb 14 2023

web consultare utili recensioni cliente e valutazioni per la scuola dei vampiri una storia in 5 minuti ediz a colori su amazon it consultare recensioni obiettive e imparziali sui

la scuola dei vampiri una storia in 5 minuti ediz a colori broché - Nov 11 2022

web la scuola dei vampiri una storia in 5 minuti ediz a colori tre passi sillani febe amazon es libros

la scuola dei vampiri una storia in 5 minuti ediz a colori - Oct 22 2023

web compra la scuola dei vampiri una storia in 5 minuti ediz a colori spedizione gratuita su ordini idonei

la scuola dei vampiri una storia in 5 minuti ediz a colori sillani - Jan 13 2023

web noté 5 retrouvez la scuola dei vampiri una storia in 5 minuti ediz a colori et des millions de livres en stock sur amazon fr achetez neuf ou d occasion

la scuola dei vampiri una storia in 5 minuti ediz a colori sillani - Aug 20 2023

web 6 50 5 85 di spedizione venduto da libreriauniversitaria it visualizza tutte le 2 immagini una gara alla scuola dei vampiri una storia in 5 minuti ediz a colori

the school for vampires guarda la serie in streaming justwatch - Feb 02 2022

web la scuola dei vampiri una storia in 5 minuti ediz la scuola dei vampiri una storia in 5 minuti ediz 4 downloaded from usa tgifridays com on 2022 11 24 by guest little

una gara alla scuola dei vampiri una storia in 5 minuti ediz a - Jul 19 2023

web find helpful customer reviews and review ratings for la scuola dei vampiri una storia in 5 minuti ediz a colori at amazon com read honest and unbiased product reviews from

la scuola dei vampiri una storia in 5 minuti ediz - Nov 30 2021

amazon co uk customer reviews diversion winning minds with - Jan 11 2023

web jun 26 2023 *diversion winning minds with the decoy effect mas by online you might not require more times to spend to go to the books inauguration as without difficulty as*

politicians magic tricks of diversion and simulation are still - Dec 30 2021

web effect mas 1 *diversion winning minds with the decoy effect mas recognizing the habit ways to acquire this ebook diversion winning minds with the decoy effect*

diversion winning minds with the decoy effect mas pdf - Oct 08 2022

web aug 2 2023 *diversion winning minds with the decoy effect mas 2 9 downloaded from uniport edu ng on august 2 2023 by guest honorspren are willing to bond with humans*

diversion winning minds with the decoy effect mas copy - May 03 2022

web feb 28 2013 *personality disorders gambling etc as a way of shifting their thoughts away from something they do not want to think about distraction can be born out of*

diversion winning minds with the decoy effect mas wrbb neu - Apr 14 2023

web *diversion winning minds with the decoy effect mas is available in our digital library an online access to it is set as public so you can download it instantly our digital library*

browse meir yedid magic - Jan 31 2022

web oct 9 2018 *disguise attention control simulation dissimulation interpretation maneuver pretense ruse anticipation diversion monotony premature consummation confusion*

diversion winning minds with the decoy effect mas uniport edu - Jun 04 2022

web apr 15 2023 *we present you this proper as well as easy pretension to acquire those all we meet the expense of diversion winning minds with the decoy effect mas and*

diversion winning minds with the decoy effect goodreads - Jul 17 2023

web *comprehending as with ease as union even more than other will give each success next to the proclamation as without difficulty as acuteness of this diversion winning minds*

diversion winning minds with the decoy effect master of - May 15 2023

web *diversion winning minds with the decoy effect mas 1 diversion winning minds with the decoy effect mas this is likewise one of the factors by obtaining the soft*

diversion winning minds with the decoy effect mas - Sep 19 2023

web the sign of the four diversion classics federal criminal diversion act of 1977 kingsley dam project north platte keystone diversion dam projects north and south platte rivers protest against further diversion of water from lake michigan for the chicago

winner s dice by secret factory mentalism magic close - Mar 01 2022

web edward smith solomon aka denomolos march 9 1932 january 4 2015 jeff stewart hometown new york

diversion winning minds with the decoy effect master of - Jul 05 2022

web jun 1 2023 acquire those all we allow diversion winning minds with the decoy effect mas and numerous book collections from fictions to scientific research in any way in the

diversion winning minds with the decoy effect mas pdf - Sep 07 2022

web an expostulatory address to all who frequent places of diversion and gaming psychedelic experience for personal benefit great lakes st lawrence basin the sign of the four

diversion winning minds with the decoy effect mas uniport edu - Dec 10 2022

web admission this on line statement diversion winning minds with the decoy effect mas as without difficulty as evaluation them wherever you are now diversion winning minds

diversion winning minds with the decoy effect mas - Feb 12 2023

web find helpful customer reviews and review ratings for diversion winning minds with the decoy effect master of persuasion book 3 at amazon com read honest and

diversion winning minds with the decoy effect mas pdf - Mar 13 2023

web diversion winning minds with the decoy effect mas 1 diversion winning minds with the decoy effect mas 2021 03 08 byron larsen diversion and informal

diversion winning minds with the decoy effect mas 2022 - Nov 09 2022

web jun 16 2023 diversion winning minds with the decoy effect mas 2 7 downloaded from uniport edu ng on june 16 2023 by guest culture with wit probity and an irreverent

diversion winning minds with the decoy effect mas - Aug 06 2022

web jun 13 2023 the diversion winning minds with the decoy effect master of persuasion book 3 english edition by al rahming it is wholly basic then presently we extend the

diversion winning minds with the decoy effect mas wrbb neu - Nov 28 2021

diversion winning minds with the decoy effect mas wrbb neu - Jun 16 2023

web diversion winning minds with the decoy effect master of persuasion book 3 ebook rahming al amazon co uk kindle store

[diversion winning minds with the decoy effect](#) - Aug 18 2023

web good this ebook is not limited to sales but after reading and understanding the simple concept of the decoy effect you will go from being the average to super salesman it

[diversion therapy psychology today](#) - Apr 02 2022

web winner s dice is a normal looking die that can force any number between 1 to 6 it uses a very special technology which makes our die fully examinable the spectator can

ಕನ್ನಡ ಕಥೆಗಳ ಸಂಗ್ರಹ **kannada stories storymirror** - Dec 26 2021

web ಕನ್ನಡ ಕಥೆಗಳ ಸಂಗ್ರಹ ಕನ್ನಡ ಕಥೆಗಳ ಸಂಗ್ರಹ ಕನ್ನಡ ಕಥೆಗಳ ಸಂಗ್ರಹ ಕನ್ನಡ ಕಥೆಗಳ ಸಂಗ್ರಹ

hasya kathalu by velcheru pdf scribd - Apr 10 2023

web description hasya kathalu by velcheru copyright attribution non commercial by nc available formats download as pdf txt or read online from scribd flag for

telugu stories youtube channel telugu - Aug 02 2022

web aug 14 2020 telugu stories youtube channel telugu kathalu stories in telugu koo koo tv telugu story youtube channel of the daughter in law koo koo

telugu hasyam books goodreads - Sep 03 2022

web books shelved as telugu hasyam amerikalaksepam by vanguri citten raju ಕನ್ನಡ ಕಥೆಗಳ ಸಂಗ್ರಹ ಕನ್ನಡ ಕಥೆಗಳ ಸಂಗ್ರಹ

[tenali ramalingadi hasya kathalu telugu book world](#) - May 31 2022

web title tenali ramalingadi hasya kathalu author yuvamitra catagory story rate 40 00 pages 80 edition 2019 binding paper pack publisher lakshmi ganapathi

ಕನ್ನಡ ಕಥೆಗಳ ಸಂಗ್ರಹ [rayalaseema hasya kathalu](#) - Aug 14 2023

web aug 23 2022 ಕನ್ನಡ ಕಥೆಗಳ ಸಂಗ್ರಹ rayalaseema hasya kathalu by dr m hari kishan 94410 32212 topics rayalaseema kurnool telugu kathalu

[hāsyā wikipedia](#) - Oct 24 2021

web hāsyā sanskrit ಹಾಸ್ಯ is a sanskrit word 1 for one of the nine rasas or bhava mood of indian aesthetics usually translated as humour or comedy 2 3 the colour associated

ಕನ್ನಡ ಕಥೆಗಳ ಸಂಗ್ರಹ [telugu audio kathalu hasya kathalu](#) - May 11 2023

web nov 7 2021 hasyakatha hasyarachana chandhamamakathalu telugu audio kathalu

ಕನ್ನಡ ಕಥೆಗಳ ಸಂಗ್ರಹ **by** ಕನ್ನಡ ಕಥೆಗಳ ಸಂಗ್ರಹ - Feb 25 2022

web jan 1 2011 a wholesome comedy this short story collection unveils the childhood memories of the author spent in villages and towns of telugu land will throw people

loading interface goodreads - Oct 04 2022

web discover and share books you love on goodreads

haşa ne demek tdk ya göre haşa sözlük anlamı nedir - Sep 22 2021

web aug 27 2021 haşa arapça dilinden türkçe mize geçmiştir tdk ye göre haşa kelimesi ise şu anlama gelmektedir bir durum veya davranışın kesinlikle kabul edilmediğini anlatan

hasya kathalu by potthuri vijaya lakshmi goodreads - Dec 06 2022

web hasya kathalu book read reviews from world s largest community for readers