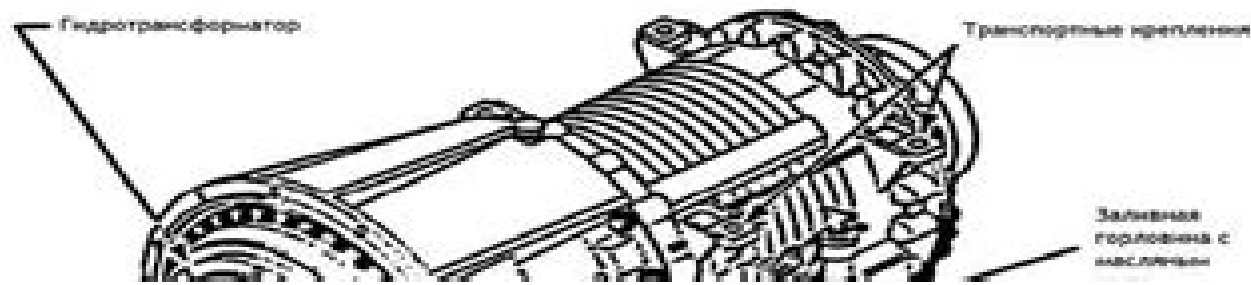
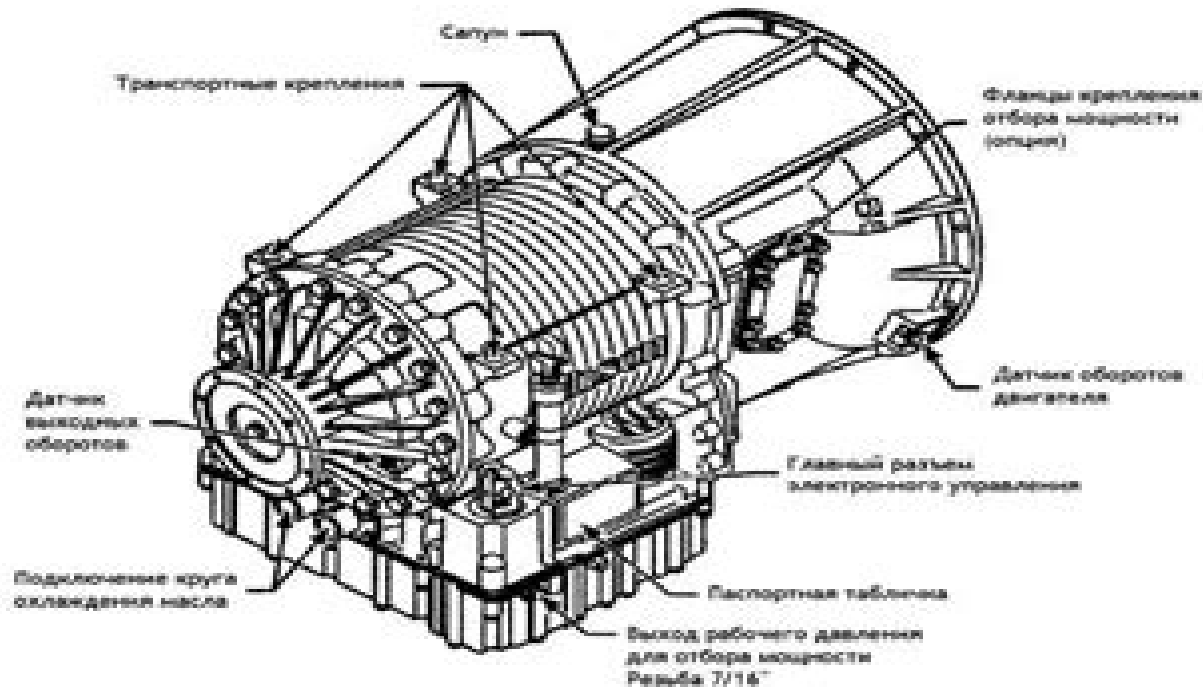


Автоматические коробки передач
Allison 3000 и 4000 Серии
с электронным управлением Gen4.



1.0.1 Вид АКПП 3000 Серии



Allison Transmission Application Guide

Julia Schneider



Allison Transmission Application Guide:

Heavy Vehicle and Engine Resource Guide , *Automotive Automatic Transmission and Transaxles* Keith Santini, Kirk Vangelder, 2017-05-18 Automotive Automatic Transmission and Transaxles published as part of the CDX Master Automotive Technician Series provides students with an in depth introduction to diagnosing repairing and rebuilding transmissions of all types Utilizing a strategy based diagnostics approach this book helps students master technical troubleshooting in order to address the problem correctly on the first attempt Outcome focused with clear objectives assessments and seamless coordination with task sheets Introduces transmission design and operation electronic controls torque converters gears and shafts reaction and friction units and manufacturer types Equips students with tried and true techniques for use with complex shop problems Combines the latest technology for computer controlled transmissions with traditional skills for hydraulic transmissions Filled with pictures and illustrations that aid comprehension as well as real world examples that put theory into practice Offers instructors an intuitive methodical course structure and helpful support tools With complete coverage of this specialized topic this book prepares students for MAST certification and the full range of transmission problems they will encounter afterward as a technician About CDX Master Automotive Technician Series Organized around the principles of outcome based education CDX offers a uniquely flexible and in depth program which aligns learning and assessments into one cohesive and adaptable learning system Used in conjunction with CDX MAST Online CDX prepares students for professional success with media rich integrated solutions The CDX Automotive MAST Series will cover all eight areas of ASE certification

Construction Equipment Guide David A. Day, Neal B. H. Benjamin, 1991-09-03 With the construction boom reaching over 300 billion by the early 1990s in the United States alone this comprehensive and accessible guide is more important than ever for the budget minded contractor Presenting quick engineering know how for the performance and satisfactory completion of construction using commonly recognized equipment it deals with the physical concepts of the work the surrounding conditions and equipment requirements with an emphasis on controls governing the equipment s performance

Catalog of Copyright Entries. Third Series Library of Congress. Copyright Office, 1976

Motor Truck Engineering Handbook James Fitch, 1993-11-01 This fourth edition updates the basic truck engineering data from previous editions and introduces the latest advancements in electronic applications to truck power trains and operations assuring optimum performance and economy with a safer and cleaner environment Useful data from official government tests on anti lock brakes and traction enhance this edition Likewise environmental concerns are addressed through the use of non polluting vehicles using alternative fuels and electrical energy

Drafting License Agreements Michael A. Epstein, Frank L. Politano, 2002-09-01

Small Craft Design Guide Joseph G. Koelbel, 1977

Fleet Owner , 1998

Monthly Catalog of United States Government Publications United States. Superintendent of Documents, 1991 February issue includes Appendix entitled Directory of United States Government periodicals and

subscription publications September issue includes List of depository libraries June and December issues include semiannual index *Monthly Catalogue, United States Public Documents*, 1991 *Pit & Quarry Handbook and Buyers Guide for the Nonmetallic Mineral Industries*, 1982 **Research in Education**, 1968-07 **Fundamentals of Automotive Technology** Kirk VanGelder, Kirk T. VanGelder, 2022-02-23 Fundamentals of Automotive Technology Principles and Practice Third Edition is a comprehensive resource that provides students with the necessary knowledge and skills to successfully master these tasks *Resources in Education*, 1968-10 *Monthly Catalog of United States Government Publications*, 1991 *National Guide to Funding in Health* Foundation Center, 2003 **Advanced Hybrid Powertrains for Commercial Vehicles** Haoran Hu, Simon Baseley, Xubin Song, 2021-04-14 Powertrains for commercial vehicles have evolved since the late nineteenth century invention of the ICE In the revised second edition of Advanced Hybrid Powertrains for Commercial Vehicles the authors explore commercial powertrains through history from the ICE through the introduction of the hybrid powertrain in commercial vehicles Readers are given an understanding of the ICE as well as the classification of commercial vehicle hybrid powertrains the variety of energy storage systems fuel cell hybrid powertrain systems and commercial vehicle electrification The authors review the legislation of vehicle emissions and the regulation necessary to promote the production of fuel efficient vehicles *Pediatric Nurse Practitioner Certification Review Guide* JoAnne Silbert-Flagg, Elizabeth D. Sloand, 2020-05-05 The Ultimate Learning Package to Prepare for the CPNP PC Exam Pediatric Nurse Practitioner Certification Review Guide is organized and condensed and focuses on important topics that will likely show up on boards This will serve as a great resource for our students as they prepare for clinical and also when preparing for boards Uyen Le Jenkins DNP Lecturer of Nursing Old Dominion University Pediatric Nurse Practitioner Certification Review Guide Primary Care Seventh Edition is an essential resource for nurses preparing for the PNP primary care certification exam offered by the Pediatric Nursing Certification Board PNCB Completely updated and revised it reflects the most current guidelines and standards of practice for the nurse practitioner in the pediatric primary care setting The Seventh Edition features expanded information on the promotion of breastfeeding in the first year of life new content about LGBTQIA issues and a new chapter providing comprehensive review of mental health information with sections covering bullying learning disabilities internalizing and externalizing disorders eating disorders and more Pediatric Nurse Practitioner Certification Review Guide Primary Care Seventh Edition provides access to Navigate 2 TestPrep An access code is included with every new print copy and unlocks access to practice and simulated tests detailed rationales and powerful data dashboards Standalone access to Navigate 2 TestPrep is also available ISBN 978 1 284 19316 9 Pediatric Nursing Clinical Practicum 2021 450 pages *Technical Abstract Bulletin* Defense Documentation Center (U.S.), 1963

Immerse yourself in the artistry of words with Crafted by is expressive creation, Immerse Yourself in **Allison Transmission Application Guide** . This ebook, presented in a PDF format (*), is a masterpiece that goes beyond conventional storytelling. Indulge your senses in prose, poetry, and knowledge. Download now to let the beauty of literature and artistry envelop your mind in a unique and expressive way.

https://legacy.tortoisemedia.com/results/scholarship/fetch.php/93_camaro_v6_repair_manual.pdf

Table of Contents Allison Transmission Application Guide

1. Understanding the eBook Allison Transmission Application Guide
 - The Rise of Digital Reading Allison Transmission Application Guide
 - Advantages of eBooks Over Traditional Books
2. Identifying Allison Transmission Application Guide
 - Exploring Different Genres
 - Considering Fiction vs. Non-Fiction
 - Determining Your Reading Goals
3. Choosing the Right eBook Platform
 - Popular eBook Platforms
 - Features to Look for in an Allison Transmission Application Guide
 - User-Friendly Interface
4. Exploring eBook Recommendations from Allison Transmission Application Guide
 - Personalized Recommendations
 - Allison Transmission Application Guide User Reviews and Ratings
 - Allison Transmission Application Guide and Bestseller Lists
5. Accessing Allison Transmission Application Guide Free and Paid eBooks
 - Allison Transmission Application Guide Public Domain eBooks
 - Allison Transmission Application Guide eBook Subscription Services
 - Allison Transmission Application Guide Budget-Friendly Options

6. Navigating Allison Transmission Application Guide eBook Formats
 - ePub, PDF, MOBI, and More
 - Allison Transmission Application Guide Compatibility with Devices
 - Allison Transmission Application Guide Enhanced eBook Features
7. Enhancing Your Reading Experience
 - Adjustable Fonts and Text Sizes of Allison Transmission Application Guide
 - Highlighting and Note-Taking Allison Transmission Application Guide
 - Interactive Elements Allison Transmission Application Guide
8. Staying Engaged with Allison Transmission Application Guide
 - Joining Online Reading Communities
 - Participating in Virtual Book Clubs
 - Following Authors and Publishers Allison Transmission Application Guide
9. Balancing eBooks and Physical Books Allison Transmission Application Guide
 - Benefits of a Digital Library
 - Creating a Diverse Reading Collection Allison Transmission Application Guide
10. Overcoming Reading Challenges
 - Dealing with Digital Eye Strain
 - Minimizing Distractions
 - Managing Screen Time
11. Cultivating a Reading Routine Allison Transmission Application Guide
 - Setting Reading Goals Allison Transmission Application Guide
 - Carving Out Dedicated Reading Time
12. Sourcing Reliable Information of Allison Transmission Application Guide
 - Fact-Checking eBook Content of Allison Transmission Application Guide
 - Distinguishing Credible Sources
13. Promoting Lifelong Learning
 - Utilizing eBooks for Skill Development
 - Exploring Educational eBooks
14. Embracing eBook Trends
 - Integration of Multimedia Elements

- Interactive and Gamified eBooks

Allison Transmission Application Guide Introduction

In today's digital age, the availability of Allison Transmission Application Guide books and manuals for download has revolutionized the way we access information. Gone are the days of physically flipping through pages and carrying heavy textbooks or manuals. With just a few clicks, we can now access a wealth of knowledge from the comfort of our own homes or on the go. This article will explore the advantages of Allison Transmission Application Guide books and manuals for download, along with some popular platforms that offer these resources. One of the significant advantages of Allison Transmission Application Guide books and manuals for download is the cost-saving aspect. Traditional books and manuals can be costly, especially if you need to purchase several of them for educational or professional purposes. By accessing Allison Transmission Application Guide versions, you eliminate the need to spend money on physical copies. This not only saves you money but also reduces the environmental impact associated with book production and transportation. Furthermore, Allison Transmission Application Guide books and manuals for download are incredibly convenient. With just a computer or smartphone and an internet connection, you can access a vast library of resources on any subject imaginable. Whether you're a student looking for textbooks, a professional seeking industry-specific manuals, or someone interested in self-improvement, these digital resources provide an efficient and accessible means of acquiring knowledge. Moreover, PDF books and manuals offer a range of benefits compared to other digital formats. PDF files are designed to retain their formatting regardless of the device used to open them. This ensures that the content appears exactly as intended by the author, with no loss of formatting or missing graphics. Additionally, PDF files can be easily annotated, bookmarked, and searched for specific terms, making them highly practical for studying or referencing. When it comes to accessing Allison Transmission Application Guide books and manuals, several platforms offer an extensive collection of resources. One such platform is Project Gutenberg, a nonprofit organization that provides over 60,000 free eBooks. These books are primarily in the public domain, meaning they can be freely distributed and downloaded. Project Gutenberg offers a wide range of classic literature, making it an excellent resource for literature enthusiasts. Another popular platform for Allison Transmission Application Guide books and manuals is Open Library. Open Library is an initiative of the Internet Archive, a non-profit organization dedicated to digitizing cultural artifacts and making them accessible to the public. Open Library hosts millions of books, including both public domain works and contemporary titles. It also allows users to borrow digital copies of certain books for a limited period, similar to a library lending system. Additionally, many universities and educational institutions have their own digital libraries that provide free access to PDF books and manuals. These libraries often offer academic texts, research papers, and technical manuals, making them invaluable resources for students and researchers. Some notable

examples include MIT OpenCourseWare, which offers free access to course materials from the Massachusetts Institute of Technology, and the Digital Public Library of America, which provides a vast collection of digitized books and historical documents. In conclusion, Allison Transmission Application Guide books and manuals for download have transformed the way we access information. They provide a cost-effective and convenient means of acquiring knowledge, offering the ability to access a vast library of resources at our fingertips. With platforms like Project Gutenberg, Open Library, and various digital libraries offered by educational institutions, we have access to an ever-expanding collection of books and manuals. Whether for educational, professional, or personal purposes, these digital resources serve as valuable tools for continuous learning and self-improvement. So why not take advantage of the vast world of Allison Transmission Application Guide books and manuals for download and embark on your journey of knowledge?

FAQs About Allison Transmission Application Guide Books

What is a Allison Transmission Application Guide PDF? A PDF (Portable Document Format) is a file format developed by Adobe that preserves the layout and formatting of a document, regardless of the software, hardware, or operating system used to view or print it. **How do I create a Allison Transmission Application Guide PDF?** There are several ways to create a PDF: Use software like Adobe Acrobat, Microsoft Word, or Google Docs, which often have built-in PDF creation tools. Print to PDF: Many applications and operating systems have a "Print to PDF" option that allows you to save a document as a PDF file instead of printing it on paper. Online converters: There are various online tools that can convert different file types to PDF. **How do I edit a Allison Transmission Application Guide PDF?** Editing a PDF can be done with software like Adobe Acrobat, which allows direct editing of text, images, and other elements within the PDF. Some free tools, like PDFescape or Smallpdf, also offer basic editing capabilities. **How do I convert a Allison Transmission Application Guide PDF to another file format?** There are multiple ways to convert a PDF to another format: Use online converters like Smallpdf, Zamzar, or Adobe Acrobats export feature to convert PDFs to formats like Word, Excel, JPEG, etc. Software like Adobe Acrobat, Microsoft Word, or other PDF editors may have options to export or save PDFs in different formats. **How do I password-protect a Allison Transmission Application Guide PDF?** Most PDF editing software allows you to add password protection. In Adobe Acrobat, for instance, you can go to "File" -> "Properties" -> "Security" to set a password to restrict access or editing capabilities. Are there any free alternatives to Adobe Acrobat for working with PDFs? Yes, there are many free alternatives for working with PDFs, such as: LibreOffice: Offers PDF editing features. PDFsam: Allows splitting, merging, and editing PDFs. Foxit Reader: Provides basic PDF viewing and editing capabilities. How do I compress a PDF file? You can use online tools like Smallpdf, ILovePDF, or desktop software like Adobe Acrobat to compress PDF files without

significant quality loss. Compression reduces the file size, making it easier to share and download. Can I fill out forms in a PDF file? Yes, most PDF viewers/editors like Adobe Acrobat, Preview (on Mac), or various online tools allow you to fill out forms in PDF files by selecting text fields and entering information. Are there any restrictions when working with PDFs? Some PDFs might have restrictions set by their creator, such as password protection, editing restrictions, or print restrictions. Breaking these restrictions might require specific software or tools, which may or may not be legal depending on the circumstances and local laws.

Find Allison Transmission Application Guide :

[93 camaro v6 repair manual](#)

[91 kawasaki kx250 service manual](#)

[93 v6 toyota camry timing diagram](#)

92 civic service manual

[94 toyota camry repair manual](#)

[93 mustang fuse box diagram](#)

93 honda nighthawk 250 service manual

[91 pontiac bonneville service manual](#)

94 toyota rav4 vacum diagram

94 vmax 600 torque specs

94 kawasaki jet ski repair manual

[9350 john deere manual](#)

92 camry manual

[94 isuzu kb repair manual](#)

[92 toyota camry fuse diagram](#)

Allison Transmission Application Guide :

teaching resources cells and heredity answer key - Nov 23 2022

web sep 23 2023 teaching resources cells and heredity answer key basic genetics national curriculum in england science programmes of 2010 standard occupational

teaching resources cells and heredity answer key scott f - Jan 14 2022

web heredity answer key can be one of the options to accompany you next having other time it will not waste your time give a positive response me the e book will utterly look you

cells and heredity all in one teaching resources science - Oct 23 2022

web jan 1 2005 contains teaching support lesson plans transparency planner teacher notes answer keys reading and review worksheets section summaries etc

teaching resources cells and heredity answers - May 30 2023

web sep 18 2023 teaching resources cells and heredity answers author whichissed visionaustralia org 2023 09 18 04 46 43 subject teaching resources

teaching resources cells and heredity answer key - Dec 13 2021

web aug 17 2023 teaching resources cells and heredity answer key english language arts literacy in history social studies ncert solutions physical education class 12 1 3

teaching resources cells and heredity answer key - Apr 28 2023

web sep 29 2023 teaching resources cells and heredity answer key majors and concentrations admissions colorado state mpssc answer key 2018 08 04 2018

cells and heredity textbook answer key answers for 2023 exams - Jun 30 2023

web cells and heredity textbook answer key download cells and heredity textbook answer key filename speed downloads cells and heredity textbook answer key

cells and heredity teaching resources ppt - Apr 16 2022

web this is a set of worksheets to accompany the science explorer cells and heredity textbook the set is for chapter 1 sections 1 amp 2 only there are guided reading

online library teaching resources cells and heredity answers - Feb 24 2023

web sep 12 2023 prentice hall science explorer cells and heredity 2004 03 23 set of books for classroom use in a middle school biology curriculum all in one teaching resources

interactive science cells and heredity 9780133684896 quizlet - Sep 02 2023

web our resource for interactive science cells and heredity includes answers to chapter exercises as well as detailed information to walk you through the process step by step

amazing cells university of utah - Dec 25 2022

web cell communication is a multi step process cells communicate via signaling pathways made of interacting components components of cell signaling pathways sometimes

teaching resources cells and heredity answer key pdf - Aug 21 2022

web to look guide teaching resources cells and heredity answer key as you such as by searching the title publisher or authors of guide you in point of fact want you can

dna the molecule of heredity answer key learny kids - Jan 26 2023

web displaying top 8 worksheets found for dna the molecule of heredity answer key some of the worksheets for this concept are dna the molecule of heredity work dna work and

[teaching resources cells and heredity answer key](#) - Jun 18 2022

web teaching resources cells and heredity answer key nature versus nurture wikipedia basic genetics science standards to use in 4th grade classrooms descriptions

bookmark file teaching resources cells and heredity answer - Mar 16 2022

web sep 8 2023 bookmark file teaching resources cells and heredity answer key free download pdf using topology

researchers advance understanding of how understanding

[prentice hall science explorer cells and heredity answer key](#) - Mar 28 2023

web cells and heredity all in one teaching resources science explorer cells and heredity all in one teaching resources science explorer volume c paperback

online library teaching resources cells and heredity answer - May 18 2022

web sep 4 2023 answer key read pdf free heredity answers to questions in genetics the modern science of heredity answer manual for genetics gregor mendel heredity she

[ap biology escape room science genetics heredity mitosis](#) - Jul 20 2022

web teacher instructions with usage guide and faq 20 multiple choice questions 5 decoders for each of the 5 levels student recording sheet and teacher answer key

teaching resources cells and heredity answers - Feb 12 2022

web teaching resources cells and heredity answers as you such as by searching the title publisher or authors of guide you truly want you can discover them rapidly in the

bookmark file teaching resources cells and heredity answer - Sep 21 2022

web sep 8 2023 bargains to download and install teaching resources cells and heredity answer key as a result simple thank you for downloading teaching resources cells

teaching resources cells and heredity answer key - Nov 11 2021

web sep 13 2023 teaching resources cells and heredity answer key 1 51whichissed visionaustralia org learn genetics sciencefusion assessment guide

interactive science cells and heredity answer key answers for - Oct 03 2023

web download interactive science cells and heredity answer key filename speed downloads interactive science cells and heredity answer key updated 3229 kb s

cells heredity lesson plan activity page rice university - Aug 01 2023

web what is a cell cell quiz the giant cell cell structure function activities the edible cell the virtual cell jello cells how cells duplicate why sometimes things go

ultralight sailplanes nest of dragons - Oct 06 2022

web guide for beginner pilots what can influence your choice money weather location single or group activity type of airplane types of aviation flight simulators remote control paraglider paramotor hanggliding flphg ultralight sailplanes sailplanes seaplanes ultralights ulm trikes ultralights far103 light sport aviation lsa ppl autogyro helicopter jet

brady butterfield s goat 4 glider kitplanes - Mar 11 2023

web oct 18 2013 this is a goat 4 glider utilizing yando wing modifications for the high altitudes of utah this aircraft is classified as an ultra light glider with the same faa regulations as a hang glider or paraglider the design and flying characteristics are similar to the primary gliders of the 1930s see cessna cg 2

unpowered ultralights gliders sailplanes eaa - Jul 03 2022

web there are a number of popular unpowered ultralights like gliders and sailplanes for those pilots looking for the joy and serenity of silent flight the bubble run by cool events which was scheduled to take place on the eaa airventure oshkosh grounds today saturday september 9 was canceled in january

motor glider view all our gliders with engines light - Feb 27 2022

web carat a by ams flight video stall 43 kts 49 mph 80 kph cruise 108 kts 124 mph 200 kph empty weight 717 lbs 325 kg mtow 1036 lbs 470 kg more information apis 2 by martin wezel flugzeugtechnik video stall 35 kts 40 mph 65 kph cruise 81 kts 93 mph 150 kph empty weight 450 lbs 204 kg mtow 661 lbs 300 kg

building an ultralight aircraft using construction plans - Jun 02 2022

web the affordaplane is one of the most popular ultralights available in form of construction plans each plan sold by this company has a registered serial number it contains around 49 cad drawings of the aircraft and each part is laid out in a large legal size paper in three views there are drawings which show the user how the parts of the plane

piuma homebuilt ultralight motor gliders from plans tiziano - Aug 16 2023

web piuma ultralight motor gliders the site shows the possibility of self building in a very economic way some ultralight single seater and two seaters wood and fabric motor gliders with the tail boom in aluminium alloy starting only from plans

ulf 1 foot launched sailplane glider homebuilt aircraft plans - May 13 2023

web the longest flight lasted six hours the maximum distance achieved is 140 km the ulf 1 is one of the best performing foot

launched aircraft to date as well as one of the safest designs available to the self builder

bluebird page basic ultralight glider - Sep 05 2022

web jul 29 2023 bluebird photo page bluebird technical drawings are free and downloadable using the links provided here 89 drawings in the same style as the bug goat bloop drawings one zip folder contains files in pdf format the second folder contains drawings in tcw file format tcw is native turbocad for cad applications the last two folders are

super floater part103 ultralight sailplane plans - Jul 15 2023

web the super floater is an ultralight sailplane that is designed for fun flying rather than competition and as such it has a glide ratio of just 15 1 it is very similar to the primary gliders of the 1930s in concept performance and appearance

5 ultralight aircrafts for beginners flying magazine - Jan 29 2022

web jun 7 2022 ultralight aircrafts can take many forms here s a look at some of the types of flying vehicles that can qualify lighter than air powered fixed wing powered parachutes gliders rotorcraft

ec goat ec air ultralight gliders - Apr 12 2023

web ec goat design includes adjustable limiting stops for control stick travel stop brackets are located on the control stick torque tube they are attached to the tube using polyamide tube clamps brackets are made of 6061t6 0 125in aluminum angle the contact elements are made of polyurethane rods shore 90

fly your own ultralight airplane used aircraft ultralights - Dec 28 2021

web building with plans homebuilt ultralight helicopters 9 amazing cute or just crazy personal helicopters and rotorcraft i m 74 ultralight pilot the ultralight airplanes helicopters gliders and experimental aircraft are affordable exciting easy

sunbird rc plane ultralight electric glider youtube - May 01 2022

web jun 10 2020 my friend provided the plans and advised me to try building sunbird bird of time electric glider i considered the plans and decided to give it a shot in the end i was shocked in so many

gapa ultralight glider gapa ultralight sailplane youtube - Mar 31 2022

web jan 26 2015 sportaviationmagazine com the pw 2 gapa was designed at the warsaw university of technology and is the last in a series of primary trainers they

aircraft plans ultralight aircraft plans homebuilt amateur built - Dec 08 2022

web aircraft plans ultralight aircraft plans homebuilt amateur built experimental aircraft and light sport aircraft plans the ultralight aircraft news covering the world of ultralight aviation

bloop basic ultralight glider - Jan 09 2023

web the bloop was originaly the pig glider with an engine added later see the pig page for details on this airchair glider the bloop 4 with engine and emergency parachute weighs about 214 pounds the power package is a modern paramotor system a

vittorazi moster 185 two stroke engine 25 hp with a 1 3 meter two bladed propeller

goat page basic ultralight glider - Feb 10 2023

web apr 28 2010 the goat is technically an ultralight sailplane under united states weight rules with conventional three axis controls similar to the bug4 and the commercial super floater it is designed for slow speed recreational gliding and training

ultralight rc glider from scrap instructables - Aug 04 2022

web ultralight rc glider from scrap this is an airplane i built a while back i built the airplane on my kitchen counter using mostly cyanoacrylate glue and balsa the goal on this project was to make the airframe as light as possible the finished model had a 36 wingspan and w

ultra light 3 gramm indoor glider for beginners - Nov 07 2022

web using this ible you can build both of them if you want the slingshot model is made of cardboard and pinewood and cut the original groove on the bottom of the cockpit to attach a strong rubber band for the ultra light follow these instructions

tools paper cutter scissors pencil

basic ultralight glider - Jun 14 2023

web nov 13 2020 the basic ultralight gliders are best characterized by their light wing loading which is about the same as that of a hang glider around 1 7 lb of gross weight for every square foot of wing area light wing loading results in slow flight which is safe comfortable and allows soaring in small thermals because of the ability to turn tightly

reading writing connections from theory to practic - Jan 27 2022

reading writing connections from theory to practice heller - Aug 02 2022

web how to link theory and practice theory and practice should be interwoven and for this reason it is useful to think of the process as braiding a rope where the two

reading writing connections from theory to practice - Jul 13 2023

web routledge 1999 education 416 pages reading writing connections from theory to practice is an extraordinary language arts methods text that enables elementary and

reading writing connections from theory to practice edition 2 - Dec 06 2022

web reading writing connections from theory to practice is an extraordinary language arts methods text that enables elementary and middle school

linking theory and practice flinders university - Apr 29 2022

web on line notice reading writing connections from theory to practic as well as review them wherever you are now reconnecting reading and writing alice s horning 2013

editions of reading writing connections from theory to - Feb 25 2022

web language arts elementary united states reading elementary united states english language composition and exercises study and teaching elementary

reading writing connections from theory to practice - Mar 29 2022

web reading writing connections from theory to practice is an extraordinary language arts methods text that enables elementary and middle school teachers to create classroom

reading writing connections from theory to practice google - Dec 26 2021

reading writing connections from theory to practice - Apr 10 2023

web reading writing connections from theory to practice second edition is an extraordinary language arts methods text that enables elementary and middle school

reading writing connections from theory to practice google - May 11 2023

web xvi 399 pages 24 cm reading writing connections from theory to practice second edition is an extraordinary language arts methods text that enables elementary and

reading writing connections from theory to - Oct 04 2022

web reading writing connections from theory to practice by heller mary f isbn 10 0801301394 isbn 13 9780801301391 addison wesley longman ltd softcover

reading writing connections from theory to practice mary f - Aug 14 2023

web apr 1 1999 abstract reading writing connections from theory to practice is an extraordinary language arts methods text that enables elementary and middle school teachers to create classroom environments where all students can become lifelong

reading writing connections from theory to practice - Mar 09 2023

web reading writing connections from theory to practice by heller mary f publication date 1991 topics language arts elementary united states reading elementary

reading writing connections from theory to practice - Nov 24 2021

reading writing connections from theory to practice - Jul 01 2022

web apr 1 1999 reading writing connections from theory to practice is an extraordinary language arts methods text that enables elementary and middle school teachers to

reading writing connections from theory to practice google - Feb 08 2023

web reading writing connections from theory to practice edition 2 ebook written by mary f heller read this book using google play books app on your pc android ios

reading writing connections from theory to practice google - Jun 12 2023

web apr 1 1999 reading writing connections from theory to practice is an extraordinary language arts methods text that enables elementary and middle school teachers to

reading writing connections from theory to practice - Nov 05 2022

web reading writing connections from theory to practice heller mary f amazon com tr

reading writing connections from theory to practice - Jan 07 2023

web reading writing connections from theory to practice is an extraordinary language arts methods text that enables elementary and middle school teachers to create

reading writing connections from theory to practice paperback - Sep 03 2022

web reading writing connections from theory to practice is an extraordinary language arts methods text that enables elementary and middle school teachers to create classroom

pdf reading writing connections by mary f heller perlego - May 31 2022

web editions for reading writing connections from theory to practice kindle edition published in 1999 0801301394 paperback published in 1991 08058345