

## Paragraphs 3A-4

**3A. Assemble retainer, oil seal, lower bearing, bevel pinion gear and vertical shaft as a unit and install in front support after installing steering arm shaft and segment gear. Vary the number of shims (9) between retainer and front support to provide .002 backlash between bevel pinion and bevel segment gears. Alternate shims with gaskets to prevent oil leaks. Pinion gear and top of vertical shaft are punch marked and should be assembled as in Fig. AC10. Pinion gear and segment gear should be meshed so that steering arm is in position shown in Fig. AC11 when front wheel is in straight-ahead, trailing (caster) position and main steering gear is in mid-position. Adjust vertical shaft bearings by adding or removing shims (4—Fig. AC1) between top of shaft and bearing cone retaining washer.**

**Fork Mounted Wheel.** To remove front wheel and horizontal spindle, remove cap screws and axle retainer. It will be noted that the cork seals are installed toward the outside, and the felt seal toward the inside.

**3B. C-CA ADJUSTABLE FRONT AXLE.** Except that vertical spindle in the front support terminates in a center steering arm instead of a wheel fork, the external parts are the same as on the single wheel models outlined in the preceding paragraph. Refer to Fig. AC2.

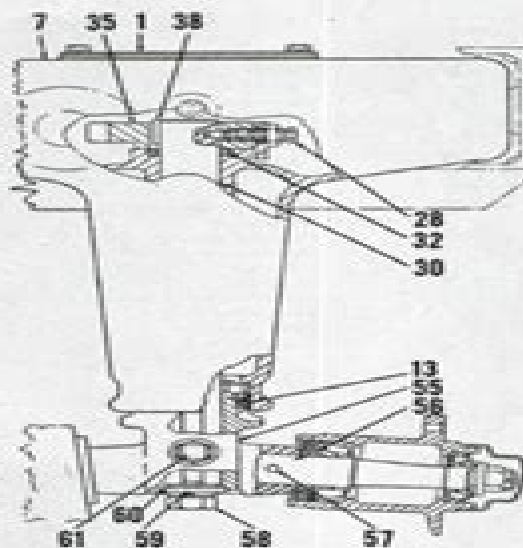


Fig. AC3—Models RC, WC, WD & WD-45 dual wheel tricycle version front support and main steering gear assembly.

- |                       |                  |
|-----------------------|------------------|
| 1. Cover              | 32. Segment gear |
| 2. Washer             | 33. Spindle pin  |
| 3. Shims              | 34. Cap screw    |
| 4. Bearing cone & cup | 35. Washer       |
| 5. Gasket             | 36. Shims        |
| 6. Bearing retainer   | 37. Set screw    |
| 7. Front support      |                  |
| 8. Oil seal           |                  |
| 9. Vertical spindle   |                  |
| 10. Oil seal          |                  |
| 11. Sector key        |                  |
| 12. Sector            |                  |
| 13. Sector key        |                  |

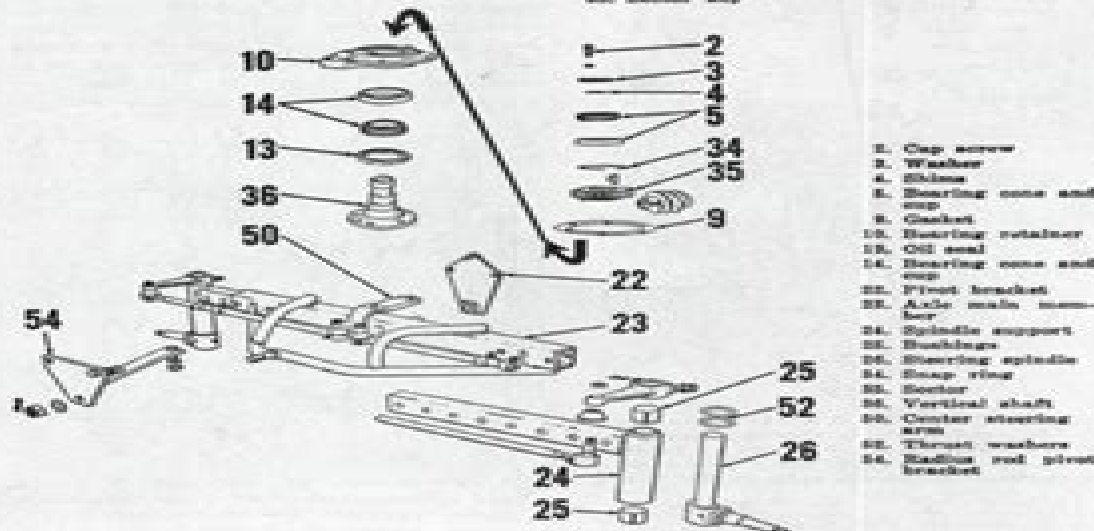


Fig. AC7—Models WD and WD-45 adjustable axle version main steering gear, and axle assembly.

## ALLIS-CHALMERS

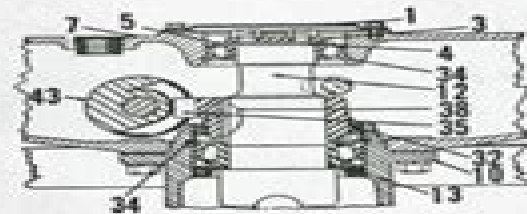


Fig. AC9—Models RC and WC non-adjustable type axle version front support and main steering gear assembly.

- |                       |                    |
|-----------------------|--------------------|
| 1. Cover              | 38. Vertical shaft |
| 2. Washer             | 39. Oil seal       |
| 3. Shims              | 40. Oil seal       |
| 4. Bearing cone & cup | 41. Snap ring      |
| 5. Gasket             | 42. Sector         |
| 6. Front support      | 43. Sector key     |
| 7. Bearing retainer   | 44. Worm           |

**3C. C-CA DUAL FRONT WHEELS.** To disassemble pedestal and front steering gear, support tractor under torque tube and remove front wheels. Remove cap screws retaining pedestal (29—Fig. AC9) to front support (7) and remove pedestal. Remove cap screw (2), washer (3) and shims from top of vertical spindle shaft (30) and pull pinion gear (8) off shaft. Withdraw shaft, bearing cone and oil seal (13) from bottom of housing. The need and the procedure for further disassembly will be determined by an inspection of the parts and by reference to Fig. AC3. Pressed bushings (17) are supplied for steering arm shaft, and if carefully installed require no stiring after installation. Removal of front support from tractor requires removing radiator core and detaching support from engine.

**3D. Assemble steering arm shaft and segment gear before installing pedestal assembly. Pinion gear and vertical spindle shaft are punch marked and should be assembled as in Fig. AC10. Vary number of shims (4—Fig. AC3) between top of shaft and pinion gear retaining washer to remove all bearing play but permitting shaft to turn without binding. Install pedestal unit in front support varying the number of shims (9) to provide .002 backlash between pinion and segment gear. Pinion gear and segment gear should be meshed so that steering arm is in position shown in Fig. AC11 when front wheels are in straight-ahead, trailing (caster) position and main steering gear is in mid-position.**

**4. RC - WC - WD - WD-45 W O R M - S H A F T.** To disassemble worm shaft, bump pin out of steering shaft universal joint and worm shaft and slide universal joint back. Remove steering shaft bearing bracket (47) and shims

# Allis Chalmers Wd 45 Repair Manual

**JS Bruner**



**Allis Chalmers Wd 45 Repair Manual:**

Immerse yourself in heartwarming tales of love and emotion with Explore Love with its touching creation, Tender Moments: **Allis Chalmers Wd 45 Repair Manual** . This emotionally charged ebook, available for download in a PDF format ( \*), is a celebration of love in all its forms. Download now and let the warmth of these stories envelop your heart.

<https://legacy.tortoisemedia.com/files/book-search/HomePages/7%20Harley%20Davidson%20Street%20Glide%20Owners%20Manual.pdf>

## **Table of Contents Allis Chalmers Wd 45 Repair Manual**

1. Understanding the eBook Allis Chalmers Wd 45 Repair Manual
  - The Rise of Digital Reading Allis Chalmers Wd 45 Repair Manual
  - Advantages of eBooks Over Traditional Books
2. Identifying Allis Chalmers Wd 45 Repair Manual
  - Exploring Different Genres
  - Considering Fiction vs. Non-Fiction
  - Determining Your Reading Goals
3. Choosing the Right eBook Platform
  - Popular eBook Platforms
  - Features to Look for in an Allis Chalmers Wd 45 Repair Manual
  - User-Friendly Interface
4. Exploring eBook Recommendations from Allis Chalmers Wd 45 Repair Manual
  - Personalized Recommendations
  - Allis Chalmers Wd 45 Repair Manual User Reviews and Ratings
  - Allis Chalmers Wd 45 Repair Manual and Bestseller Lists
5. Accessing Allis Chalmers Wd 45 Repair Manual Free and Paid eBooks
  - Allis Chalmers Wd 45 Repair Manual Public Domain eBooks
  - Allis Chalmers Wd 45 Repair Manual eBook Subscription Services
  - Allis Chalmers Wd 45 Repair Manual Budget-Friendly Options

6. Navigating Allis Chalmers Wd 45 Repair Manual eBook Formats
  - ePub, PDF, MOBI, and More
  - Allis Chalmers Wd 45 Repair Manual Compatibility with Devices
  - Allis Chalmers Wd 45 Repair Manual Enhanced eBook Features
7. Enhancing Your Reading Experience
  - Adjustable Fonts and Text Sizes of Allis Chalmers Wd 45 Repair Manual
  - Highlighting and Note-Taking Allis Chalmers Wd 45 Repair Manual
  - Interactive Elements Allis Chalmers Wd 45 Repair Manual
8. Staying Engaged with Allis Chalmers Wd 45 Repair Manual
  - Joining Online Reading Communities
  - Participating in Virtual Book Clubs
  - Following Authors and Publishers Allis Chalmers Wd 45 Repair Manual
9. Balancing eBooks and Physical Books Allis Chalmers Wd 45 Repair Manual
  - Benefits of a Digital Library
  - Creating a Diverse Reading Collection Allis Chalmers Wd 45 Repair Manual
10. Overcoming Reading Challenges
  - Dealing with Digital Eye Strain
  - Minimizing Distractions
  - Managing Screen Time
11. Cultivating a Reading Routine Allis Chalmers Wd 45 Repair Manual
  - Setting Reading Goals Allis Chalmers Wd 45 Repair Manual
  - Carving Out Dedicated Reading Time
12. Sourcing Reliable Information of Allis Chalmers Wd 45 Repair Manual
  - Fact-Checking eBook Content of Allis Chalmers Wd 45 Repair Manual
  - Distinguishing Credible Sources
13. Promoting Lifelong Learning
  - Utilizing eBooks for Skill Development
  - Exploring Educational eBooks
14. Embracing eBook Trends
  - Integration of Multimedia Elements

- Interactive and Gamified eBooks

### **Allis Chalmers Wd 45 Repair Manual Introduction**

Free PDF Books and Manuals for Download: Unlocking Knowledge at Your Fingertips In today's fast-paced digital age, obtaining valuable knowledge has become easier than ever. Thanks to the internet, a vast array of books and manuals are now available for free download in PDF format. Whether you are a student, professional, or simply an avid reader, this treasure trove of downloadable resources offers a wealth of information, conveniently accessible anytime, anywhere. The advent of online libraries and platforms dedicated to sharing knowledge has revolutionized the way we consume information. No longer confined to physical libraries or bookstores, readers can now access an extensive collection of digital books and manuals with just a few clicks. These resources, available in PDF, Microsoft Word, and PowerPoint formats, cater to a wide range of interests, including literature, technology, science, history, and much more. One notable platform where you can explore and download free Allis Chalmers Wd 45 Repair Manual PDF books and manuals is the internet's largest free library. Hosted online, this catalog compiles a vast assortment of documents, making it a veritable goldmine of knowledge. With its easy-to-use website interface and customizable PDF generator, this platform offers a user-friendly experience, allowing individuals to effortlessly navigate and access the information they seek. The availability of free PDF books and manuals on this platform demonstrates its commitment to democratizing education and empowering individuals with the tools needed to succeed in their chosen fields. It allows anyone, regardless of their background or financial limitations, to expand their horizons and gain insights from experts in various disciplines. One of the most significant advantages of downloading PDF books and manuals lies in their portability. Unlike physical copies, digital books can be stored and carried on a single device, such as a tablet or smartphone, saving valuable space and weight. This convenience makes it possible for readers to have their entire library at their fingertips, whether they are commuting, traveling, or simply enjoying a lazy afternoon at home. Additionally, digital files are easily searchable, enabling readers to locate specific information within seconds. With a few keystrokes, users can search for keywords, topics, or phrases, making research and finding relevant information a breeze. This efficiency saves time and effort, streamlining the learning process and allowing individuals to focus on extracting the information they need. Furthermore, the availability of free PDF books and manuals fosters a culture of continuous learning. By removing financial barriers, more people can access educational resources and pursue lifelong learning, contributing to personal growth and professional development. This democratization of knowledge promotes intellectual curiosity and empowers individuals to become lifelong learners, promoting progress and innovation in various fields. It is worth noting that while accessing free Allis Chalmers Wd 45 Repair Manual PDF books and manuals is convenient and cost-effective, it is vital to respect copyright laws and intellectual property rights. Platforms offering free downloads often operate within legal

boundaries, ensuring that the materials they provide are either in the public domain or authorized for distribution. By adhering to copyright laws, users can enjoy the benefits of free access to knowledge while supporting the authors and publishers who make these resources available. In conclusion, the availability of Allis Chalmers Wd 45 Repair Manual free PDF books and manuals for download has revolutionized the way we access and consume knowledge. With just a few clicks, individuals can explore a vast collection of resources across different disciplines, all free of charge. This accessibility empowers individuals to become lifelong learners, contributing to personal growth, professional development, and the advancement of society as a whole. So why not unlock a world of knowledge today? Start exploring the vast sea of free PDF books and manuals waiting to be discovered right at your fingertips.

### **FAQs About Allis Chalmers Wd 45 Repair Manual Books**

How do I know which eBook platform is the best for me? Finding the best eBook platform depends on your reading preferences and device compatibility. Research different platforms, read user reviews, and explore their features before making a choice. Are free eBooks of good quality? Yes, many reputable platforms offer high-quality free eBooks, including classics and public domain works. However, make sure to verify the source to ensure the eBook credibility. Can I read eBooks without an eReader? Absolutely! Most eBook platforms offer web-based readers or mobile apps that allow you to read eBooks on your computer, tablet, or smartphone. How do I avoid digital eye strain while reading eBooks? To prevent digital eye strain, take regular breaks, adjust the font size and background color, and ensure proper lighting while reading eBooks. What the advantage of interactive eBooks? Interactive eBooks incorporate multimedia elements, quizzes, and activities, enhancing the reader engagement and providing a more immersive learning experience. Allis Chalmers Wd 45 Repair Manual is one of the best book in our library for free trial. We provide copy of Allis Chalmers Wd 45 Repair Manual in digital format, so the resources that you find are reliable. There are also many Ebooks of related with Allis Chalmers Wd 45 Repair Manual. Where to download Allis Chalmers Wd 45 Repair Manual online for free? Are you looking for Allis Chalmers Wd 45 Repair Manual PDF? This is definitely going to save you time and cash in something you should think about.

### **Find Allis Chalmers Wd 45 Repair Manual :**

[2007 harley davidson street glide owners manual](#)

**2007 mercedes cls550 owners manual**

*2007 mazda 3 owner manual*

**2007 er500 workshop manual**

**2007 corolla manual transmission fluid change**

**2007 nissan quest fuse box**

*2007 honda crf230f service manual*

**2007 polaris sportsman 700 800 x2 efi service repair manual**

2007 chevy suburban ltz owners manual

2007 chevy impala starter wiring diagram

2007 shogun workshop manual

**2007 harley davidson sportster xl 1200 custom technical manual**

**2007 chevrolet impala lt owners manual**

**2007 chevy trailblazer manual**

2007 honda accord euro workshop manual

**Allis Chalmers Wd 45 Repair Manual :**

**part 1 framework chapter 1 a framework for business** - May 13 2023

web 5 explain voluntary disclosure of information in financial reports as a solution to the lemons problem described in the chapter is it a full solution or a partial solution why the lemons problem is that if investors rely on management information about investment proposals or ideas they cannot distinguish between good and bad

*palepu co* - Dec 28 2021

web welcome to palepu com palepu co is one of the largest and longstanding distributors of wide range of pharmaceutical products in south india with a completely computerized set up palepu co now in its 42nd year fully geared to do service in the cause of medicine and humanity about the company

*home palepu pharma* - Jan 29 2022

web cardiology neurology nephrology diabetology pediatrics anti infectives nutraceuticals and many more pharmaceutical products available with us palepu pharma private limited formerly known as palepu co is one of the largest distributors in the state of tamil nadu dealing with more than 22 000 products from 400 pharmaceutical

*business analysis and valuation using financial solutions manual* - Jun 02 2022

web solutions manual book name business analysis and valuation using financial statements edition 2nd edition author name g palepu paul m healy sue wright michael bradbury philip lee sample

**solutions manual for business analysis and valuation using** - Oct 06 2022



web instantly download solutions manual for business analysis and valuation using financial statements text and cases 5th edition by palepu from trusted source provides a thousand solutions manual and test bank questions

*business analysis and valuation asia pacific 2nd edition palepu* - Feb 10 2023

web apr 12 2019 business analysis and valuation asia pacific 2nd edition palepu solutions manual full download alibabadownload com product business analysis and valuation asia pacific 2nd edition palepu solution this sample only download all chapters at alibabadownload com

**test bank solution manual for business analysis and valuation** - Sep 05 2022

web dec 23 2012 test bank solution manual for business analysis and valuation using financial statements text and cases with thomson one access hardcover krishna g palepu author paul m healy author

solution manual for business analysis and valuation ifrs edition - Jul 15 2023

web solution manual for business analysis and valuation ifrs edition 5th edition by krishna g palepu sample for free chapter 01 29 kb 246 click tags business analysis and valuation

*business analysis and valuation ifrs edition 5th edition by issuu* - Mar 11 2023

web aug 12 2021 business analysis and valuation ifrs edition 5th edit ion by krishna g palepu solution manual full download link bit ly 3cingkd chapter 1 a framework for business analysis using

**business analysis and valuation palepu solutions free essays** - Jul 03 2022

web palepu solution manual can be extremely handy things and palepu solution manual play an important role in your products the problem is that once you have gotten your nifty new product the palepu solution manual gets a brief glance maybe a once over but it often tends to get discarded or lost with the original packaging

*dr dorothy delilah kyeyune ssrn* - Dec 08 2022

web may 19 2020 kyeyune dorothy delilah answers to questions in chapter 1 2 of business analysis valuation using financial statements by krishna g palepu and healy paul m april 22 2020 available at ssrn ssrn com abstract 3582586 or dx doi org 10 2139 ssrn 3582586

solution for business analysis and valuation text and cases 1st - Nov 07 2022

web solutions for business analysis and valuation text and cases 1st edition by paul m author palepu author krishna g author peek author erik healy author isbn13 9781408056424 accounting 57607 views 5 1 all 11 chapters covered solved by experts best price unlimited access all 179 questions answered ios android web

**solutions manual for business analysis valuation using financial** - Jan 09 2023

web solutions manual for business analysis valuation using financial statements 5th edition by palepu 25 00 complete downloadable solutions manual for business analysis valuation using financial statements 5th edition by palepu instructor

resource information

*palepu solutions chapter 2 pdf coca cola profit* - Apr 12 2023

web 1 strategy understanding provides a context for evaluating a firm s choice of accounting policies and hence the information reflected in its financial statements for example accounting policies such as revenue recognition and cost capitalization can differ across firms either because of

**business analysis and valuation 4e solution manual essays and** - May 01 2022

web palepu solution manual can be extremely handy things and palepu solution manual play an important role in your products the problem is that once you have gotten your nifty new product the palepu solution manual gets a brief glance maybe a once over but it often tends to get discarded or lost with the original packaging

**business analysis and valuation ifrs edition pdf** - Jun 14 2023

web business analysis and valuation ifrs edition free pdf download krishna g palepu 674 pages year 2013 ifrs read online pdf room

**business analysis and valuation 4th ifrs edition by krishna g palepu** - Aug 16 2023

web business analysis and valuation 4th ifrs edition by krishna g palepu solution manual solution studocu bro bagi ebooknya dong aku butuh nih ebooknya practice je question fall 2020 it241 answer physics assignment solutions

**business analysis valuation ifrs edition 3rd manual solutions** - Aug 04 2022

web solutions manual book name business analysis and valuation using financial statements edition 2nd edtion author name g palepu paul m healy sue wright michael bradbury philip lee

*free essay palepu solution manual 1364 words studymode* - Mar 31 2022

web download palepu solution manual pdf file for free get many pdf ebooks from our online library related with palepu solution manual palepu solution manual pdf filetype pdf download read online palepu healy peek

[palepu solution manual](#) - Feb 27 2022

web solutions manual for business analysis and valuation 5th edition by krishna g palepu paul m healy erik peek you will get file with page 1 4 bookmark file pdf palepu solution manual

**amazon com customer reviews clean my space the secret to** - May 31 2022

web clean my space the secret to cleaning better faster and loving your home every day ebook maker melissa amazon in books

[clean my space the secret to cleaning better](#) - May 11 2023

web melissa maker s debut book clean my space the secret to cleaning better faster and loving your home every day is all about improving your home and more

*clean my space the secret to cleaning better faster and* - Apr 29 2022

web mar 7 2017 the wildly popular youtube star behind clean my space presents the breakthrough solution to cleaning better with less effort melissa maker is beloved by

**clean my space the secret to cleaning better faster** - Jun 12 2023

web clean my space the secret to cleaning better faster and loving your home every day ebook written by melissa maker read this book using google play books app on

**clean my space the secret to cleaning better faster and** - Jan 27 2022

**clean my space the secret to cleaning better faster and** - Mar 09 2023

web mar 7 2017 in her long awaited debut book she shares her revolutionary 3 step solution identify the most important areas mias in your home that need attention select the

**clean my space the secret to cleaning better** - Jul 13 2023

web mar 7 2017 melissa maker penguin mar 7 2017 house home 304 pages the wildly popular youtube star behind clean my space presents the breakthrough solution to

*clean my space the secret to cleaning better faster and* - Aug 02 2022

web in her long awaited debut book she shares her revolutionary 3 step solution identify the most important areas mias in your home that need attention select the proper

**clean my space the secret to cleaning better faster and** - Sep 03 2022

web find helpful customer reviews and review ratings for clean my space the secret to cleaning better faster and loving your home every day at amazon com read

*pdf epub clean my space the secret to* - Aug 14 2023

web clean my spacetakes the chore out of cleaning with melissa sincredible tips and cleaning hacks the power of pretreating her lightning fast 5 10 minute express clean routines

**clean my space the secret to cleaning better faster and** - Dec 06 2022

web mar 7 2017 the wildly popular youtube star behind clean my space presents the breakthrough solution to cleaning better with less effort melissa maker is beloved by

[clean my space the secret to cleaning better faster and](#) - Feb 08 2023

web clean my space takes the chore out of cleaning with melissa s incredible tips and cleaning hacks the power of pretreating her lightning fast 5 10 minute express clean routines

**clean my space the secret to cleaning better faster and** - Nov 05 2022

web the wildly popular youtube star behind clean my space presents the breakthrough solution to cleaning better with less effort melissa maker is beloved by fans all over the

**clean my space the secret to cleaning better faster and loving** - Jan 07 2023

web mar 7 2017 melissa maker s debut book clean my space the secret to cleaning better faster and loving your home every day is all about improving your home and

*clean my space the secret to cleaning better faster and* - Oct 04 2022

web clean my space takes the chore out of cleaning with melissa s incredible tips and cleaning hacks the power of pretreating her lightning fast 5 to 10 minute express clean

**clean my space the secret to cleaning better faster and** - Apr 10 2023

web apr 4 2023 298 pages 23 cm clean my space takes the chore out of cleaning with melissa s incredible tips and cleaning hacks the power of pretreating her lightning fast

clean my space penguin random house - Mar 29 2022

*clean my space the secret to cleaning better faster and* - Feb 25 2022

**clean my space the secret to cleaning better faster and** - Jul 01 2022

web melissa maker s debut book clean my space the secret to cleaning better faster and loving your home every day is all about improving your home and more

**les secrets de vichy** - Aug 23 2022

web 13 secrets de la collaboration et des hommes de vichy c est à une plongée sans équivalent au cœur de la france de vichy que convie ce livre fondé sur des archives

*les secrets de vichy de Bénédicte Vergez-Chaignon* - Mar 18 2022

web 13 secrets de la collaboration et des hommes de vichy c est à une plongée sans équivalent au cœur de la france de vichy que convie ce livre fondé sur des archives

**les secrets de vichy Bénédicte Vergez-Chaignon 2019** - Jun 20 2022

web apr 9 2023 Bénédicte Vergez-Chaignon vous présente son ouvrage les secrets de vichy aux éditions Perrin retrouvez le livre Mollat.com livres Vergez-Chaignon

*les secrets de vichy Vergez-Chaignon Bénédicte* amazon.fr - Nov 25 2022

web oct 17 2019 au long de douze thèmes curieux tragiques inattendus ou revisités l auteur dévoile peu à peu l histoire méconnue des années noires qu il s agisse de la vie

**les secrets de vichy bénédicte vergez chaignon google books** - Jul 22 2022

web oct 22 2019 les secrets de vichy bénédicte vergez chaignon 2019 comment télécharger epub liens de téléchargement téléchargement gratuit de livres les

les secrets de vichy bénédicte vergez chaignon 2019 - Feb 14 2022

web les secrets de vichy pas cher retrouvez tous les produits disponibles à l achat dans notre catégorie histoire actualité politique en utilisant rakuten vous acceptez

*les secrets de vichy de bénédicte vergez chaignon recyclivre* - Apr 18 2022

web oct 17 2019 les secrets de vichy poche bénédicte vergez chaignon note moyenne donner le premier avis extrait c est à une plongée sans équivalent au coeur de la

les secrets de vichy vergez chaignon bénédicte amazon fr - Jan 28 2023

web village of secrets defying the nazis in vichy france the resistance trilogy book 2 by caroline moorehead and a great selection of related books art and collectibles available

les secrets de vichy bénédicte vergez chaignon cairn info - Sep 04 2023

web au long de douze thèmes curieux tragiques inattendus ou revisités l auteur dévoile peu à peu l histoire méconnue des années noires qu il s agisse de la vie quotidienne à vichy

télécharger pdf les secrets de vichy bénédicte gratuit - Feb 26 2023

web la grande histoire est faite aussi de ces incidents hasards et affaires qui ont défrayé la chronique et conservé leur part de mystère tout en influant sur les destinées du pays

*les secrets de vichy french edition kindle edition* - Dec 15 2021

web oct 17 2019 13 secrets de la collaboration et des hommes de vichy c est à une plongée sans équivalent au coeur de la france de vichy que convie ce livre fondé sur des

*les secrets de vichy abebooks* - Dec 27 2022

web en 13 chapitres courts incisifs et clairs bénédicte vergez chaignon dévoile les secrets de la collaboration et des hommes de vichy auteur d une biographie incontournable du

**les secrets de vichy poche bénédicte vergez chaignon fnac** - Oct 25 2022

web en 13 chapitres courts incisifs et clairs bénédicte vergez chaignon dévoile les secrets de la collaboration et des hommes de vichy

*bénédicte vergez chaignon les secrets de vichy youtube* - May 20 2022

web les secrets de vichy de bénédicte vergez chaignon achats de livres à petits prix livraison gratuite en france 1 million de livres en stock recyclivre rachète et collecte

**les secrets de vichy broché Bénédicte vergez chaignon fnac** - Apr 30 2023

web les secrets de vichy par Bénédicte vergez chaignon aux éditions tempus perrin 13 secrets de la collaboration et des hommes de vichy c est à une plongée sans

les services secrets de vichy chemins de mémoire - Jul 02 2023

web aug 27 2015 les secrets de vichy french edition vergez chaignon Bénédicte on amazon com free shipping on qualifying offers les secrets de vichy french edition

**les secrets de vichy Bénédicte vergez chaignon tempus** - Nov 13 2021

*les secrets de vichy french edition vergez chaignon* - Jun 01 2023

web aug 27 2015 en 13 chapitres courts incisifs et clairs Bénédicte vergez chaignon dévoile les secrets de la collaboration et des hommes de vichy auteur d une biographie

**les secrets de vichy Bénédicte vergez chaignon cultura** - Mar 30 2023

web qu ils s agissent des hommes de vichy et de leur action à commencer par celles de pétain et de laval de l organisation quotidienne de la milice des coups bas au sein de la

**les secrets de vichy histoire actualité politique rakuten** - Jan 16 2022

web oct 17 2019 les secrets de vichy french edition kindle edition by vergez chaignon Bénédicte download it once and read it on your kindle device pc phones or tablets

*les secrets de vichy hors collection goodreads* - Sep 23 2022

web au long de douze thèmes curieux tragiques inattendus ou revisités l auteur dévoile peu à peu l histoire méconnue des années noires qu il s agisse de la vie quotidienne à vichy

*les secrets de vichy Bénédicte vergez chaignon* - Oct 05 2023

web 13 secrets de la collaboration et des hommes de vichy c est à une plongée sans équivalent au cœur de la france de vichy que convie ce livre fondé sur des archives

**les secrets de vichy Bénédicte vergez chaignon perrin lisez** - Aug 03 2023

web en métropole une véritable catastrophe a lieu en juin 1943 lorsque les services allemands mettent la main sur une vingtaine de tonnes d archives des services secrets français