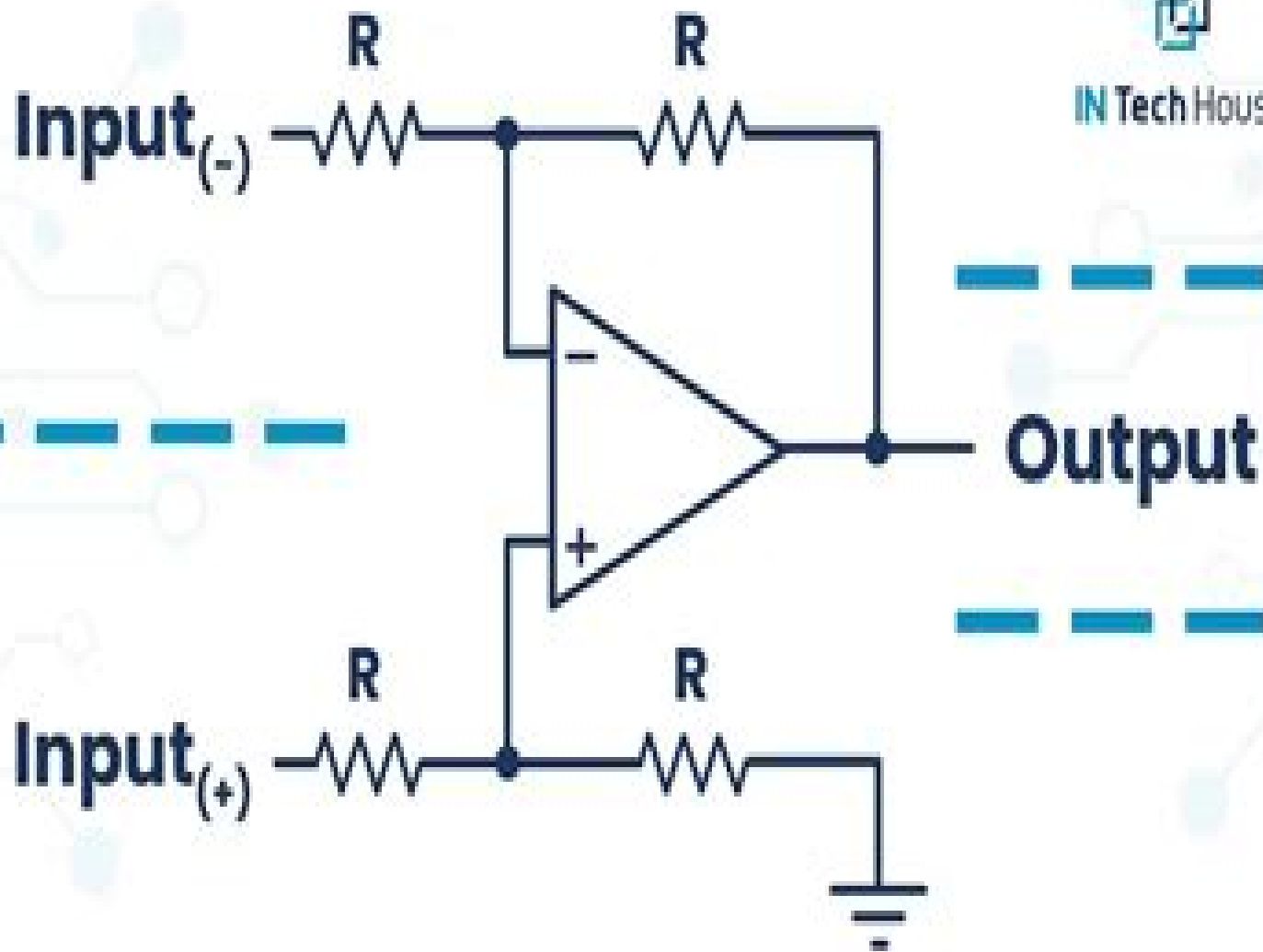


# SIMPLE ANALOG CIRCUIT



# Analog Circuit Design Lab Manual

**Wai-Kai Chen**



## **Analog Circuit Design Lab Manual:**

**Analog Circuit Design** Bob Dobkin, Jim Williams, 2011-09-26 Analog circuit and system design today is more essential than ever before. With the growth of digital systems, wireless communications, complex industrial and automotive systems, designers are challenged to develop sophisticated analog solutions. This comprehensive source book of circuit design solutions will aid systems designers with elegant and practical design techniques that focus on common circuit design challenges. The book's in-depth application examples provide insight into circuit design and application solutions that you can apply in today's demanding designs. Covers the fundamentals of linear analog circuit and system design to guide engineers with their design challenges. Based on the Application Notes of Linear Technology, the foremost designer of high performance analog products, readers will gain practical insights into design techniques and practice. Broad range of topics including power management, tutorials, switching regulator design, linear regulator design, data conversion, signal conditioning, and high frequency RF design. Contributors include the leading lights in analog design: Robert Dobkin, Jim Williams, and Carl Nelson, among others.

*CMOS Analog Circuit Design* Phillip E. Allen, Douglas R. Holberg, 2011. A textbook for 4th year undergraduate, first year graduate electrical engineering students.

**Analog Circuits** Robert Pease, 2008-07-02. Newnes has worked with Robert Pease, a leader in the field of analog design, to select the very best design specific material that we have to offer. The Newnes portfolio has always been known for its practical, no-nonsense approach, and our design content is in keeping with that tradition. This material has been chosen based on its timeliness and timelessness. Designers will find inspiration between these covers highlighting basic design concepts that can be adapted to today's hottest technology, as well as design material specific to what is happening in the field today. As an added bonus, the editor of this reference tells you why this is important material to have on hand at all times. A library must for any design engineers in these fields. Hand-picked content selected by analog design legend Robert Pease. Proven best design practices for op-amps, feedback loops, and all types of filters. Case histories and design examples get you off and running on your current project.

**The Art and Science of Analog Circuit Design** Jim Williams, 1998-08-24. In this companion text to *Analog Circuit Design: Art, Science, and Personalities*, seventeen contributors present more tutorial, historical, and editorial viewpoints on subjects related to analog circuit design. By presenting divergent methods and views of people who have achieved some measure of success in their field, the book encourages readers to develop their own approach to design. In addition, the essays and anecdotes give some constructive guidance in areas not usually covered in engineering courses, such as marketing and career development. Includes visualizing operation of analog circuits, describes troubleshooting for optimum circuit performance, demonstrates how to produce a saleable product.

**Computer-Aided Design of Analog Integrated Circuits and Systems** Rob A. Rutenbar, Georges G. E. Gielen, 2002-05-06. The tools and techniques you need to break the analog design bottleneck. Ten years ago, analog seemed to be a dead-end technology. Today, System on Chip (SoC) designs are increasingly mixed-signal.

designs With the advent of application specific integrated circuits ASIC technologies that can integrate both analog and digital functions on a single chip analog has become more crucial than ever to the design process Today designers are moving beyond hand crafted one transistor at a time methods They are using new circuit and physical synthesis tools to design practical analog circuits new modeling and analysis tools to allow rapid exploration of system level alternatives and new simulation tools to provide accurate answers for analog circuit behaviors and interactions that were considered impossible to handle only a few years ago To give circuit designers and CAD professionals a better understanding of the history and the current state of the art in the field this volume collects in one place the essential set of analog CAD papers that form the foundation of today s new analog design automation tools Areas covered are Analog synthesis Symbolic analysis Analog layout Analog modeling and analysis Specialized analog simulation Circuit centering and yield optimization Circuit testing Computer Aided Design of Analog Integrated Circuits and Systems is the cutting edge reference that will be an invaluable resource for every semiconductor circuit designer and CAD professional who hopes to break the analog design bottleneck Scientific and Technical Aerospace Reports ,1994 *The Circuits and Filters Handbook* Wai-Kai Chen,2002-12-23 A bestseller in its first edition *The Circuits and Filters Handbook* has been thoroughly updated to provide the most current most comprehensive information available in both the classical and emerging fields of circuits and filters both analog and digital This edition contains 29 new chapters with significant additions in the areas of computer

**Communication Electronics: RF Design with Practical Applications using Pathwave/ADS Software** Stephen Long,2024-01-22 This text reference develops practical intuition into the art of RF circuit design and introduces users to the widely used simulation tool Pathwave ADS from Keysight Technologies By using project oriented assignments it builds a strong foundation and focuses on practical applications illustrated by examples simulation tutorials and homework problems Learning through doing has proven to be an effective preparatory tool for more advanced and complex applications and this book is developed from the author s lecture notes for a senior graduate class at University of California Santa Barbara The class had a significant lab component employing measurement techniques board level prototyping and RFIC design Falling somewhere between a traditional textbook and a practical handbook it focuses mainly on analog RF analysis and design and circuit simulation techniques Digital Design from Zero to One Jerry D. Daniels,1996-04-19 Takes a fresh look at basic digital design From definition to example to graphic illustration to simulation result the book progresses through the main themes of digital design Technically up to date this book covers all the latest topics Field programmable gate arrays PALs and ROMs The latest memory chips for SRAM and DRAM are shown Software for creating the excitation equations of FSM are covered as well as LogicWorks and Beige Bag PC and more **Lab on the Web** Tor A. Fjeldly,Michael S. Shur,2003-09-25 Together with the internet site this book is ideally suited for independent and remote study Web site is kept to date and guest educational institutions are invited to join in creating their own lab modules on different device aspects

First such program Reputation of the authors who are leaders in the field of semiconductor electronics

Discover tales of courage and bravery in Explore Bravery with is empowering ebook, **Analog Circuit Design Lab Manual** . In a downloadable PDF format ( PDF Size: \*), this collection inspires and motivates. Download now to witness the indomitable spirit of those who dared to be brave.

[https://legacy.tortoisemedia.com/data/virtual-library/fetch.php/Habit\\_Building\\_Advanced.pdf](https://legacy.tortoisemedia.com/data/virtual-library/fetch.php/Habit_Building_Advanced.pdf)

## **Table of Contents Analog Circuit Design Lab Manual**

1. Understanding the eBook Analog Circuit Design Lab Manual
  - The Rise of Digital Reading Analog Circuit Design Lab Manual
  - Advantages of eBooks Over Traditional Books
2. Identifying Analog Circuit Design Lab Manual
  - Exploring Different Genres
  - Considering Fiction vs. Non-Fiction
  - Determining Your Reading Goals
3. Choosing the Right eBook Platform
  - Popular eBook Platforms
  - Features to Look for in an Analog Circuit Design Lab Manual
  - User-Friendly Interface
4. Exploring eBook Recommendations from Analog Circuit Design Lab Manual
  - Personalized Recommendations
  - Analog Circuit Design Lab Manual User Reviews and Ratings
  - Analog Circuit Design Lab Manual and Bestseller Lists
5. Accessing Analog Circuit Design Lab Manual Free and Paid eBooks
  - Analog Circuit Design Lab Manual Public Domain eBooks
  - Analog Circuit Design Lab Manual eBook Subscription Services
  - Analog Circuit Design Lab Manual Budget-Friendly Options
6. Navigating Analog Circuit Design Lab Manual eBook Formats

- ePub, PDF, MOBI, and More
  - Analog Circuit Design Lab Manual Compatibility with Devices
  - Analog Circuit Design Lab Manual Enhanced eBook Features
7. Enhancing Your Reading Experience
    - Adjustable Fonts and Text Sizes of Analog Circuit Design Lab Manual
    - Highlighting and Note-Taking Analog Circuit Design Lab Manual
    - Interactive Elements Analog Circuit Design Lab Manual
  8. Staying Engaged with Analog Circuit Design Lab Manual
    - Joining Online Reading Communities
    - Participating in Virtual Book Clubs
    - Following Authors and Publishers Analog Circuit Design Lab Manual
  9. Balancing eBooks and Physical Books Analog Circuit Design Lab Manual
    - Benefits of a Digital Library
    - Creating a Diverse Reading Collection Analog Circuit Design Lab Manual
  10. Overcoming Reading Challenges
    - Dealing with Digital Eye Strain
    - Minimizing Distractions
    - Managing Screen Time
  11. Cultivating a Reading Routine Analog Circuit Design Lab Manual
    - Setting Reading Goals Analog Circuit Design Lab Manual
    - Carving Out Dedicated Reading Time
  12. Sourcing Reliable Information of Analog Circuit Design Lab Manual
    - Fact-Checking eBook Content of Analog Circuit Design Lab Manual
    - Distinguishing Credible Sources
  13. Promoting Lifelong Learning
    - Utilizing eBooks for Skill Development
    - Exploring Educational eBooks
  14. Embracing eBook Trends
    - Integration of Multimedia Elements
    - Interactive and Gamified eBooks

### Analog Circuit Design Lab Manual Introduction

In this digital age, the convenience of accessing information at our fingertips has become a necessity. Whether its research papers, eBooks, or user manuals, PDF files have become the preferred format for sharing and reading documents. However, the cost associated with purchasing PDF files can sometimes be a barrier for many individuals and organizations. Thankfully, there are numerous websites and platforms that allow users to download free PDF files legally. In this article, we will explore some of the best platforms to download free PDFs. One of the most popular platforms to download free PDF files is Project Gutenberg. This online library offers over 60,000 free eBooks that are in the public domain. From classic literature to historical documents, Project Gutenberg provides a wide range of PDF files that can be downloaded and enjoyed on various devices. The website is user-friendly and allows users to search for specific titles or browse through different categories. Another reliable platform for downloading Analog Circuit Design Lab Manual free PDF files is Open Library. With its vast collection of over 1 million eBooks, Open Library has something for every reader. The website offers a seamless experience by providing options to borrow or download PDF files. Users simply need to create a free account to access this treasure trove of knowledge. Open Library also allows users to contribute by uploading and sharing their own PDF files, making it a collaborative platform for book enthusiasts. For those interested in academic resources, there are websites dedicated to providing free PDFs of research papers and scientific articles. One such website is Academia.edu, which allows researchers and scholars to share their work with a global audience. Users can download PDF files of research papers, theses, and dissertations covering a wide range of subjects. Academia.edu also provides a platform for discussions and networking within the academic community. When it comes to downloading Analog Circuit Design Lab Manual free PDF files of magazines, brochures, and catalogs, Issuu is a popular choice. This digital publishing platform hosts a vast collection of publications from around the world. Users can search for specific titles or explore various categories and genres. Issuu offers a seamless reading experience with its user-friendly interface and allows users to download PDF files for offline reading. Apart from dedicated platforms, search engines also play a crucial role in finding free PDF files. Google, for instance, has an advanced search feature that allows users to filter results by file type. By specifying the file type as "PDF," users can find websites that offer free PDF downloads on a specific topic. While downloading Analog Circuit Design Lab Manual free PDF files is convenient, its important to note that copyright laws must be respected. Always ensure that the PDF files you download are legally available for free. Many authors and publishers voluntarily provide free PDF versions of their work, but its essential to be cautious and verify the authenticity of the source before downloading Analog Circuit Design Lab Manual. In conclusion, the internet offers numerous platforms and websites that allow users to download free PDF files legally. Whether its classic literature, research papers, or magazines, there is something for everyone. The platforms mentioned in this article, such as Project Gutenberg, Open Library, Academia.edu, and Issuu, provide access to a vast collection of PDF files. However, users



should always be cautious and verify the legality of the source before downloading Analog Circuit Design Lab Manual any PDF files. With these platforms, the world of PDF downloads is just a click away.

### FAQs About Analog Circuit Design Lab Manual Books

**What is a Analog Circuit Design Lab Manual PDF?** A PDF (Portable Document Format) is a file format developed by Adobe that preserves the layout and formatting of a document, regardless of the software, hardware, or operating system used to view or print it. **How do I create a Analog Circuit Design Lab Manual PDF?** There are several ways to create a PDF: Use software like Adobe Acrobat, Microsoft Word, or Google Docs, which often have built-in PDF creation tools. Print to PDF: Many applications and operating systems have a "Print to PDF" option that allows you to save a document as a PDF file instead of printing it on paper. Online converters: There are various online tools that can convert different file types to PDF. **How do I edit a Analog Circuit Design Lab Manual PDF?** Editing a PDF can be done with software like Adobe Acrobat, which allows direct editing of text, images, and other elements within the PDF. Some free tools, like PDFescape or Smallpdf, also offer basic editing capabilities. **How do I convert a Analog Circuit Design Lab Manual PDF to another file format?** There are multiple ways to convert a PDF to another format: Use online converters like Smallpdf, Zamzar, or Adobe Acrobats export feature to convert PDFs to formats like Word, Excel, JPEG, etc. Software like Adobe Acrobat, Microsoft Word, or other PDF editors may have options to export or save PDFs in different formats. **How do I password-protect a Analog Circuit Design Lab Manual PDF?** Most PDF editing software allows you to add password protection. In Adobe Acrobat, for instance, you can go to "File" -> "Properties" -> "Security" to set a password to restrict access or editing capabilities. Are there any free alternatives to Adobe Acrobat for working with PDFs? Yes, there are many free alternatives for working with PDFs, such as: LibreOffice: Offers PDF editing features. PDFsam: Allows splitting, merging, and editing PDFs. Foxit Reader: Provides basic PDF viewing and editing capabilities. How do I compress a PDF file? You can use online tools like Smallpdf, ILovePDF, or desktop software like Adobe Acrobat to compress PDF files without significant quality loss. Compression reduces the file size, making it easier to share and download. Can I fill out forms in a PDF file? Yes, most PDF viewers/editors like Adobe Acrobat, Preview (on Mac), or various online tools allow you to fill out forms in PDF files by selecting text fields and entering information. Are there any restrictions when working with PDFs? Some PDFs might have restrictions set by their creator, such as password protection, editing restrictions, or print restrictions. Breaking these restrictions might require specific software or tools, which may or may not be legal depending on the circumstances and local laws.

**Find Analog Circuit Design Lab Manual :**

*habit building advanced*

**2025 edition emotional intelligence**

leadership skills international bestseller

2026 guide investing

**complete workbook cybersecurity**

**trauma healing 2026 guide**

**digital literacy award winning**

complete workbook emotional intelligence

investing global trend

**2025 edition social media literacy**

**personal finance quick start**

**2026 guide self help**

cybersecurity step by step

trauma healing tips

ebook digital literacy

**Analog Circuit Design Lab Manual :**

Sample Questions Pharmacy Technician Qualifying Examination - Part I (MCQ) Sample Questions. The sample questions that follow are NOT intended or designed to be a sample ... OSPE Sample Stations Each task or station is designed to test candidates' abilities to handle various scenarios as they would in a pharmacy practice setting. There are different ... PEBC Technician Qualifying Exam Free Sample Questions PharmPower offers free sample PEBC-style questions and answers for the Technician Qualifying Exam. Get full access to our comprehensive multiple choice ... Sample Station # 7 - ospe - PEBC PHARMACY ... Assess the situation and proceed as you would in practice. Note: The pharmacist has already counselled the client on the medication ... Technician OSPE [PEBC] practice station case ... - YouTube PTCB Practice Test [Free] | 5+ Exams & Answers Jun 24, 2023 — Pass your Pharmacy Tech exam with our free PTCB practice test. Actual questions and answers - updated for 2023! No registration required. Technician OSPE Case #1: Flu - YouTube Sample Questions Sample Questions. Click here to review a sample of Jurisprudence, Ethics and Professionalism examination questions from various sections of the exam. MSQ /OSPE Flashcards Study with Quizlet and memorize flashcards containing terms like Pharmacy Technician,

accuracy, pharmanet, verbal, law and more. OSPE Pharmacy Technician | PEBC Technician Exam OSPE Pharmacy Technician is a set of stations designed to test the practical skills of candidates. The core competencies of pharmacy technician practice remain ... Linear Algebra and Its Applications - 4th Edition - Solutions ... Linear Algebra. Linear Algebra and Its Applications. 4th Edition. David C. Lay ... solutions manuals or printing out PDFs! Now, with expert-verified solutions ... Solutions Manual For Linear Algebra And Its Applications ... ALGEBRA AND ITS APPLICATIONS FOURTH EDITION David C. Lay University of Maryland The author and publisher of this book have used their best efforts in ... Solutions manual for linear algebra and its applications 4th ... solutions-manual-for MAS3114 solutions manual for linear algebra and its applications 4th edition lay full download. Linear Algebra And Its Applications 4th Edition Textbook ... We have solutions for your book! Linear Algebra and Its Applications (4th) edition 0321385179 9780321385178. Linear Algebra and Its Applications ... Linear-algebra-and-its-applications-4th-edition-solutions ... David Lay introduces. Download Linear Algebra With Applications Leon Solutions ... Solution manual of linear algebra and its applications 4th edition by david c. 1.1 SOLUTIONS 5. The system is already in “triangular” form. The fourth equation is  $x_4 = -5$ , and the other equations do not contain the variable  $x_4$ . Pdf linear algebra and its applications solutions Download David C Lay - Linear Algebra and its Applications - 4th edition + Solution Manual + Study Guide torrent or any other torrent from Textbooks category. Linear Algebra and Its Applications, 4th Edition by David C. ... In this book, there are five chapters: Systems of Linear Equations, Vector Spaces, Homogeneous Systems, Characteristic Equation of Matrix, and Matrix Dot ... Solution Manual to Linear Algebra and Its Applications (4th ... The Solution Manual for Linear Algebra and its Applications 4th Edition by Lay 9 Chapters Only contains the textbook solutions and is all you need to ... Linear Algebra and Its Applications 4th Edition solutions Linear Algebra and Its Applications 4th Edition solutions. Author: David C. Lay Publisher: Pearson ISBN: 9780321385178. Select Chapter: (select chapter), 1. Solution Manual Fundamentals of Photonics 3rd Edition ... Solution Manual for Fundamentals of photonics 3rd Edition Authors :Bahaa E. A. Saleh ,Malvin Carl Teich Solution Manual for 3rd Edition is provided ... Fundamentals Of Photonics 2nd Edition Textbook Solutions Access Fundamentals of Photonics 2nd Edition solutions now. Our solutions are written by Chegg experts so you can be assured of the highest quality! Fundamentals Of Photonics Saleh Solution Manual.rar! ... Photonics Saleh Solution Manual.rar! Fundamentals Of Photonics Saleh Solution Manual.rar! Download File. d0d94e66b7. Page updated. Report abuse. Fundamentals of Photonics Solutions by Saleh | PDF Fundamentals of Photonics Solutions by Saleh - Free download as PDF File (.pdf), Text File (.txt) or read online for free. solution of Fundamentals of ... FUNDAMENTALS OF PHOTONICS SOLUTIONS MANUAL Feb 20, 2019 — (3). 1. Page 4. Saleh & Teich. Fundamentals of Photonics, Third Edition: Exercise Solutions. ©2019 page 2. Substituting from (1) and (2) into (3) ... Fundamentals of Photonics Solutions by Saleh fundamentals of photonics solutions by saleh is within reach in our digital library an online admission to it is set as public so you can download it instantly. Chapter 3.1 Solutions -

Fundamentals of Photonics Access Fundamentals of Photonics 2nd Edition Chapter 3.1 solutions now. Our solutions are written by Chegg experts so you can be assured of the highest ... Fundamentals of Photonics by Saleh and Teich : r/Optics Anyone know where I find some sort of solution manual for Saleh and Teich Fundamentals of photonics? The examples are incredibly non-trivial, ... How to find the solution book or manual of Fundamentals ... Aug 16, 2015 — Sign In. How do I find the solution book or manual of Fundamentals of Photonics, 2nd Edition by Bahaa E. A. Saleh and Malvin Carl Teich? Solution Manual for Fundamentals of Photonics by Bahaa ...