

PHYSICAL SCIENCES P.1

SCOPE

GRADE 12

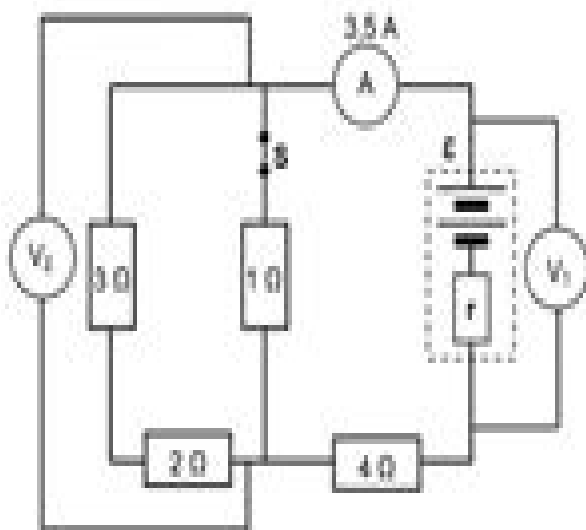
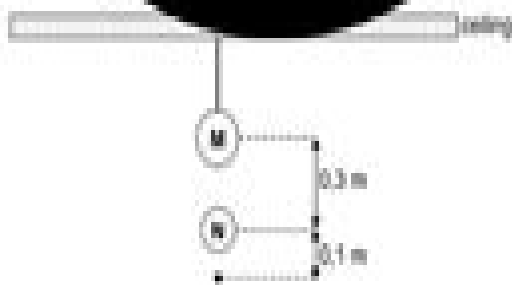
2024

FINAL EXAM



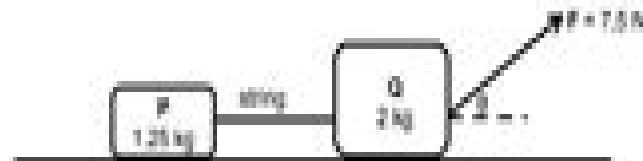
basic education

Department:
Basic Education
REPUBLIC OF SOUTH AFRICA



mass 1.25 kg is connected to another crate, Q , of mass 2 kg by a light string. The two crates are placed on a rough horizontal surface. A force F of magnitude 7.5 N , acting at angle θ to the horizontal, is applied on shown in the diagram below.

accelerate at 0.1 m s^{-2} to the right.



14 Physical Sciences Exam Scope Grade 1

JE Gale



14 Physical Sciences Exam Scope Grade 1:

Handbook of Class 11 & 12 (Set of 3 Books) Physics, Chemistry, Mathematics Books | Must Have for JEE Main | All Engineering Exams 2023 Oswaal Editorial Board,2023-03-14 Description of the product Get Concept Clarity Mnemonics Free Online Assessment with Oswaal 360 [Resources in Education](#) ,2001-10 *Educational Programs that Work* ,1994 *Circular - Office of Education* United States. Office of Education,1930 *State Curriculum Guides for Science, Mathematics, and Modern Foreign Languages, a Bibliography* ,1960 **Educational Psychology** Arden N. Frandsen,1961 [The Chemical News and Journal of Physical Science](#) ,1892 *RRB JE IT CBT-2 : Computer Science and Information Technology Exam Book (English Edition) | Computer Based Test | 10 Practice Tests (1500 Solved MCQs)* EduGorilla Prep Experts,2023-09-12 Best Selling Book in English Edition for RRB JE IT CBT 2 Computer Science and Information Technology Exam with objective type questions as per the latest syllabus Compare your performance with other students using Smart Answer Sheets in EduGorilla s RRB JE IT CBT 2 Computer Science and Information Technology Exam Practice Kit RRB JE IT CBT 2 Computer Science and Information Technology Exam Preparation Kit comes with 10 Practice Tests with the best quality content Increase your chances of selection by 16X RRB JE IT CBT 2 Computer Science and Information Technology Exam Prep Kit comes with well structured and 100% detailed solutions for all the questions Clear exam with good grades using thoroughly Researched Content by experts *Chemical News and Journal of Physical Science* ,1892 [Journal of the Society of Arts](#) ,1877 **Monthly Catalog of United States Government Publications** United States. Superintendent of Documents,1959 February issue includes Appendix entitled Directory of United States Government periodicals and subscription publications September issue includes List of depository libraries June and December issues include semiannual index **Christian Home Educators' Curriculum Manual** Cathy Duffy,1992 [Report on Scientific Personnel Activities Initiated by the Navy Department](#) United States. Office of Naval Research,1946 *Nonparametric Statistics with Applications to Science and Engineering with R* Paul Kvam,Brani Vidakovic,Seong-joon Kim,2022-10-18 NONPARAMETRIC STATISTICS WITH APPLICATIONS TO SCIENCE AND ENGINEERING WITH R Introduction to the methods and techniques of traditional and modern nonparametric statistics incorporating R code Nonparametric Statistics with Applications to Science and Engineering with R presents modern nonparametric statistics from a practical point of view with the newly revised edition including custom R functions implementing nonparametric methods to explain how to compute them and make them more comprehensible Relevant built in functions and packages on CRAN are also provided with a sample code R codes in the new edition not only enable readers to perform nonparametric analysis easily but also to visualize and explore data using R s powerful graphic systems such as ggplot2 package and R base graphic system The new edition includes useful tables at the end of each chapter that help the reader find data sets files functions and packages that are used and relevant to the respective chapter New examples and exercises that enable readers to gain a deeper insight into

nonparametric statistics and increase their comprehension are also included Some of the sample topics discussed in Nonparametric Statistics with Applications to Science and Engineering with R include Basics of probability statistics Bayesian statistics order statistics Kolmogorov Smirnov test statistics rank tests and designed experiments Categorical data estimating distribution functions density estimation least squares regression curve fitting techniques wavelets and bootstrap sampling EM algorithms statistical learning nonparametric Bayes WinBUGS properties of ranks and Spearman coefficient of rank correlation Chi square and goodness of fit contingency tables Fisher exact test MC Neman test Cochran s test Mantel Haenszel test and Empirical Likelihood Nonparametric Statistics with Applications to Science and Engineering with R is a highly valuable resource for graduate students in engineering and the physical and mathematical sciences as well as researchers who need a more comprehensive but succinct understanding of modern nonparametric statistical methods

Scientific and Technical Aerospace Reports ,1981 Lists citations with abstracts for aerospace related reports obtained from world wide sources and announces documents that have recently been entered into the NASA Scientific and Technical Information Database Workforce Development Theory and Practice in the Mental Health Sector Smith, Mark,Jury, Angela F.,2016-11-09 Across the globe evaluating the initiatives and planning strategies of the modern workforce has become increasingly imperative By developing professional competencies various sectors can achieve better quality skill development Workforce Development Theory and Practice in the Mental Health Sector is an essential reference source on the understanding of workforce capacity and capability and examines specific benefits and applications in addiction and mental health services Featuring extensive coverage on a range of topics including public service provision staff motivation and clinical competency this book is ideally designed for policy makers academicians researchers and students seeking current research on the challenges facing countries in the areas of planning and development in the workforce **Research in Education** ,1974 Indiana Administrative Code ,1996 Department of the Interior and Related Agencies Appropriations for 1983 United States. Congress. House. Committee on Appropriations. Subcommittee on Department of the Interior and Related Agencies,1982 **Oswaal CBSE Sample Question Papers English, Math, Science & Social Science Class 9 (Set of 4 Books) (For 2024 Exams) | 2023-24** Oswaal Editorial Board,2023-11-10 Description of the product 100% Exam Ready With 2023 CUET UG Exam Papers 2 Slots Fully Solved with Explanations Fill Learning Gaps With Revision Notes Chapter Analysis Crisp Recap with Smart Mind Maps Concept Videos Smart Shortcuts To Solve lengthy problems Final Boost With Tips Tricks to ACE CUET UG in 1st Attempt

The Top Books of the Year 14 Physical Sciences Exam Scope Grade 1 The year 2023 has witnessed a remarkable surge in literary brilliance, with numerous compelling novels enthraling the hearts of readers worldwide. Lets delve into the realm of bestselling books, exploring the fascinating narratives that have captivated audiences this year. The Must-Read : Colleen Hoover's "It Ends with Us" This poignant tale of love, loss, and resilience has captivated readers with its raw and emotional exploration of domestic abuse. Hoover masterfully weaves a story of hope and healing, reminding us that even in the darkest of times, the human spirit can succeed. Uncover the Best : Taylor Jenkins Reids "The Seven Husbands of Evelyn Hugo" This intriguing historical fiction novel unravels the life of Evelyn Hugo, a Hollywood icon who defies expectations and societal norms to pursue her dreams. Reids compelling storytelling and compelling characters transport readers to a bygone era, immersing them in a world of glamour, ambition, and self-discovery. Discover the Magic : Delia Owens "Where the Crawdads Sing" This evocative coming-of-age story follows Kya Clark, a young woman who grows up alone in the marshes of North Carolina. Owens crafts a tale of resilience, survival, and the transformative power of nature, entrancing readers with its evocative prose and mesmerizing setting. These top-selling novels represent just a fraction of the literary treasures that have emerged in 2023. Whether you seek tales of romance, adventure, or personal growth, the world of literature offers an abundance of captivating stories waiting to be discovered. The novel begins with Richard Papen, a bright but troubled young man, arriving at Hampden College. Richard is immediately drawn to the group of students who call themselves the Classics Club. The club is led by Henry Winter, a brilliant and charismatic young man. Henry is obsessed with Greek mythology and philosophy, and he quickly draws Richard into his world. The other members of the Classics Club are equally as fascinating. Bunny Corcoran is a wealthy and spoiled young man who is always looking for a good time. Charles Tavis is a quiet and reserved young man who is deeply in love with Henry. Camilla Macaulay is a beautiful and intelligent young woman who is drawn to the power and danger of the Classics Club. The students are all deeply in love with Morrow, and they are willing to do anything to please him. Morrow is a complex and mysterious figure, and he seems to be manipulating the students for his own purposes. As the students become more involved with Morrow, they begin to commit increasingly dangerous acts. The Secret History is a exceptional and thrilling novel that will keep you guessing until the very end. The novel is a warning tale about the dangers of obsession and the power of evil.

<https://legacy.tortoisemedia.com/files/uploaded-files/fetch.php/7%20chevrolet%20silverado%201500%20repair%20manual.pdf>

Table of Contents 14 Physical Sciences Exam Scope Grade 1

1. Understanding the eBook 14 Physical Sciences Exam Scope Grade 1
 - The Rise of Digital Reading 14 Physical Sciences Exam Scope Grade 1
 - Advantages of eBooks Over Traditional Books
2. Identifying 14 Physical Sciences Exam Scope Grade 1
 - Exploring Different Genres
 - Considering Fiction vs. Non-Fiction
 - Determining Your Reading Goals
3. Choosing the Right eBook Platform
 - Popular eBook Platforms
 - Features to Look for in an 14 Physical Sciences Exam Scope Grade 1
 - User-Friendly Interface
4. Exploring eBook Recommendations from 14 Physical Sciences Exam Scope Grade 1
 - Personalized Recommendations
 - 14 Physical Sciences Exam Scope Grade 1 User Reviews and Ratings
 - 14 Physical Sciences Exam Scope Grade 1 and Bestseller Lists
5. Accessing 14 Physical Sciences Exam Scope Grade 1 Free and Paid eBooks
 - 14 Physical Sciences Exam Scope Grade 1 Public Domain eBooks
 - 14 Physical Sciences Exam Scope Grade 1 eBook Subscription Services
 - 14 Physical Sciences Exam Scope Grade 1 Budget-Friendly Options
6. Navigating 14 Physical Sciences Exam Scope Grade 1 eBook Formats
 - ePub, PDF, MOBI, and More
 - 14 Physical Sciences Exam Scope Grade 1 Compatibility with Devices
 - 14 Physical Sciences Exam Scope Grade 1 Enhanced eBook Features
7. Enhancing Your Reading Experience
 - Adjustable Fonts and Text Sizes of 14 Physical Sciences Exam Scope Grade 1
 - Highlighting and Note-Taking 14 Physical Sciences Exam Scope Grade 1
 - Interactive Elements 14 Physical Sciences Exam Scope Grade 1
8. Staying Engaged with 14 Physical Sciences Exam Scope Grade 1

- Joining Online Reading Communities
 - Participating in Virtual Book Clubs
 - Following Authors and Publishers 14 Physical Sciences Exam Scope Grade 1
9. Balancing eBooks and Physical Books 14 Physical Sciences Exam Scope Grade 1
- Benefits of a Digital Library
 - Creating a Diverse Reading Collection 14 Physical Sciences Exam Scope Grade 1
10. Overcoming Reading Challenges
- Dealing with Digital Eye Strain
 - Minimizing Distractions
 - Managing Screen Time
11. Cultivating a Reading Routine 14 Physical Sciences Exam Scope Grade 1
- Setting Reading Goals 14 Physical Sciences Exam Scope Grade 1
 - Carving Out Dedicated Reading Time
12. Sourcing Reliable Information of 14 Physical Sciences Exam Scope Grade 1
- Fact-Checking eBook Content of 14 Physical Sciences Exam Scope Grade 1
 - Distinguishing Credible Sources
13. Promoting Lifelong Learning
- Utilizing eBooks for Skill Development
 - Exploring Educational eBooks
14. Embracing eBook Trends
- Integration of Multimedia Elements
 - Interactive and Gamified eBooks

14 Physical Sciences Exam Scope Grade 1 Introduction

14 Physical Sciences Exam Scope Grade 1 Offers over 60,000 free eBooks, including many classics that are in the public domain. Open Library: Provides access to over 1 million free eBooks, including classic literature and contemporary works. 14 Physical Sciences Exam Scope Grade 1 Offers a vast collection of books, some of which are available for free as PDF downloads, particularly older books in the public domain. 14 Physical Sciences Exam Scope Grade 1 : This website hosts a vast collection of scientific articles, books, and textbooks. While it operates in a legal gray area due to copyright issues, its a popular resource for finding various publications. Internet Archive for 14 Physical Sciences Exam Scope Grade 1 : Has an

extensive collection of digital content, including books, articles, videos, and more. It has a massive library of free downloadable books. Free-eBooks 14 Physical Sciences Exam Scope Grade 1 Offers a diverse range of free eBooks across various genres. 14 Physical Sciences Exam Scope Grade 1 Focuses mainly on educational books, textbooks, and business books. It offers free PDF downloads for educational purposes. 14 Physical Sciences Exam Scope Grade 1 Provides a large selection of free eBooks in different genres, which are available for download in various formats, including PDF. Finding specific 14 Physical Sciences Exam Scope Grade 1, especially related to 14 Physical Sciences Exam Scope Grade 1, might be challenging as they're often artistic creations rather than practical blueprints. However, you can explore the following steps to search for or create your own Online Searches: Look for websites, forums, or blogs dedicated to 14 Physical Sciences Exam Scope Grade 1, Sometimes enthusiasts share their designs or concepts in PDF format. Books and Magazines Some 14 Physical Sciences Exam Scope Grade 1 books or magazines might include. Look for these in online stores or libraries. Remember that while 14 Physical Sciences Exam Scope Grade 1, sharing copyrighted material without permission is not legal. Always ensure you're either creating your own or obtaining them from legitimate sources that allow sharing and downloading. Library Check if your local library offers eBook lending services. Many libraries have digital catalogs where you can borrow 14 Physical Sciences Exam Scope Grade 1 eBooks for free, including popular titles. Online Retailers: Websites like Amazon, Google Books, or Apple Books often sell eBooks. Sometimes, authors or publishers offer promotions or free periods for certain books. Authors Website Occasionally, authors provide excerpts or short stories for free on their websites. While this might not be the 14 Physical Sciences Exam Scope Grade 1 full book, it can give you a taste of the author's writing style. Subscription Services Platforms like Kindle Unlimited or Scribd offer subscription-based access to a wide range of 14 Physical Sciences Exam Scope Grade 1 eBooks, including some popular titles.

FAQs About 14 Physical Sciences Exam Scope Grade 1 Books

What is a 14 Physical Sciences Exam Scope Grade 1 PDF? A PDF (Portable Document Format) is a file format developed by Adobe that preserves the layout and formatting of a document, regardless of the software, hardware, or operating system used to view or print it. **How do I create a 14 Physical Sciences Exam Scope Grade 1 PDF?** There are several ways to create a PDF: Use software like Adobe Acrobat, Microsoft Word, or Google Docs, which often have built-in PDF creation tools. Print to PDF: Many applications and operating systems have a "Print to PDF" option that allows you to save a document as a PDF file instead of printing it on paper. Online converters: There are various online tools that can convert different file types to PDF. **How do I edit a 14 Physical Sciences Exam Scope Grade 1 PDF?** Editing a PDF can be done with software like Adobe Acrobat, which allows direct editing of text, images, and other elements within the PDF. Some free tools, like

PDFescape or Smallpdf, also offer basic editing capabilities. **How do I convert a 14 Physical Sciences Exam Scope Grade 1 PDF to another file format?** There are multiple ways to convert a PDF to another format: Use online converters like Smallpdf, Zamzar, or Adobe Acrobats export feature to convert PDFs to formats like Word, Excel, JPEG, etc. Software like Adobe Acrobat, Microsoft Word, or other PDF editors may have options to export or save PDFs in different formats. **How do I password-protect a 14 Physical Sciences Exam Scope Grade 1 PDF?** Most PDF editing software allows you to add password protection. In Adobe Acrobat, for instance, you can go to "File" -> "Properties" -> "Security" to set a password to restrict access or editing capabilities. Are there any free alternatives to Adobe Acrobat for working with PDFs? Yes, there are many free alternatives for working with PDFs, such as: LibreOffice: Offers PDF editing features. PDFsam: Allows splitting, merging, and editing PDFs. Foxit Reader: Provides basic PDF viewing and editing capabilities. How do I compress a PDF file? You can use online tools like Smallpdf, ILovePDF, or desktop software like Adobe Acrobat to compress PDF files without significant quality loss. Compression reduces the file size, making it easier to share and download. Can I fill out forms in a PDF file? Yes, most PDF viewers/editors like Adobe Acrobat, Preview (on Mac), or various online tools allow you to fill out forms in PDF files by selecting text fields and entering information. Are there any restrictions when working with PDFs? Some PDFs might have restrictions set by their creator, such as password protection, editing restrictions, or print restrictions. Breaking these restrictions might require specific software or tools, which may or may not be legal depending on the circumstances and local laws.

Find 14 Physical Sciences Exam Scope Grade 1 :

07 chevrolet silverado 1500 repair manual

0610 32 m j 08 biology

100 great essays 3rd edition

0625 61 o n 13 ms

09 le petit chaperon rouge a manhattan 1

06 sierra service manual

0610 11 m j 14 ms

1 balancing chemical equations

10 7 practice form g answers

~~08 grizzly 700 manual~~

06 softail service manual

10 3 study guide intervention geometry answers 128939

1-144 space shuttle paper model assembly
10 amazing christmas candy cane dessert recipes
07 club car precedent service manual

14 Physical Sciences Exam Scope Grade 1 :

the rolling stones discography wikipedia - Feb 26 2023

web the english rock group the rolling stones have released 31 studio albums 13 live albums 28 compilation albums 3 extended plays 122 singles 31 box sets 51 video albums 2 video box sets and 77 music videos throughout their career they have sold over 1 200 million records worldwide making them one of the best selling music

the rolling stones wikipedia - Oct 05 2023

web the rolling stones have sold over 240 million albums worldwide in 2010 rolling stone ranked them as fourth on their list of the greatest artists of all time three years later rolling stone declared them the most definitional band that rock roll has produced

the rolling stones songs albums members facts - Sep 04 2023

web nov 1 2023 the rolling stones british rock group that drew on chicago blues stylings to create a unique vision of the dark side of post 1960s counterculture they became rock s definitive emblematic band capable more than 50 years after their formation of filling the largest stadia in the world

the rolling stones top uk charts with new album hackney - Apr 30 2023

web oct 29 2023 the rolling stones from left keith richards ronnie wood and mick jagger at a launch event for their new album hackney diamonds at hackney empire in london on sept 26

the rolling stones paint it backward vulture - Dec 27 2022

web oct 23 2023 the rolling stones paint it backward last month a headline in the new york times magazine posed the not quite rhetorical enough question is måneskin the last rock band that these kohl

the rolling stones new album hackney diamonds sets us chart - Aug 03 2023

web nov 1 2023 the rolling stones have become the first act to reach the top 10 in the united states with new albums in every decade since the 1960s the veteran band s latest studio album hackney diamonds has

rolling stones producer andrew watt on making hackney - Mar 30 2023

web oct 29 2023 hackney diamonds andrew watt who helmed the rolling stones first album of original music in 18 years wants it known that first and foremost he is a stones fan with an admittedly

mick jagger said the rolling stones wouldn t be as b y as - Jul 02 2023

web nov 1 2023 mick jagger said a rolling stones breakup wouldnt t look like the beatles split in 1969 john lennon told his bandmates he no longer wanted to be in the beatles effectively breaking up the band

the rolling stones youtube - Jun 01 2023

web welcome to the rolling stones youtube channel check out the unseen and rare live footage official promo videos exclusive versions of songs and the latest news and performance from the

rolling stones first act with billboard 200 top 10 albums each - Jan 28 2023

web oct 30 2023 the rolling stones claimed their first top 10 album on the billboard 200 with 12 x 5 which reached the top 10 dated dec 12 1964 climbing 11 3 its peak position

zoology cool women who work with animals girls in science - Feb 22 2023

web zoology cool women who work with animals girls in science swanson jennifer chandhok lena amazon in books

zoology cool women who work with animals girls in science - Feb 10 2022

web amazon in buy zoology cool women who work with animals girls in science book online at best prices in india on amazon in read zoology cool women who work with animals girls in science book reviews author details and more at amazon in free delivery on qualified orders

zoology cool women who work with animals google books - Nov 21 2022

web zoology cool women who work with animals uses primary sources essential questions and knowledge connections to encourage both boys and girls to explore the animal world while being

zoology cool women who work with animals girls in science - Apr 26 2023

web apr 11 2017 zoology cool women who work with animals introduces readers to three women in the field of zoology who are making an impact and inspiring the next generation of zoologists stephanie kim is a graduate student in canada studying different species of birds

zoology cool women who work with animals google books - Sep 19 2022

web as a zoologist you might study how elephants solve problems or take care of tigers at a zoo zoology cool women who work with animals introduces readers to three women in the field

zoology cool women who work with animals girls in science - Jul 30 2023

web apr 11 2017 zoology cool women who work with animals introduces readers to three women in the field of zoology who are making an impact and inspiring the next generation of zoologists stephanie kim is a graduate student in canada studying different species of birds

zoology cool women who work with animals goodreads - May 28 2023

web apr 11 2017 zoology cool women who work with animals jennifer swanson lena chandhok illustrator 4 25 4 ratings1

review love to work with animals zoology is the study of everything having to do with animals including how and why they look act and behave in their environments and with other animals

zoology jobs employment indeed com - Mar 14 2022

web education bachelor s degree in animal science biology zoology or similar field required laboratory animal resource lar technician thursday through monday posted posted 30 days ago

zoology cool women who work with animals issuu - Jul 18 2022

web mar 19 2020 in zoology cool women who work with animals readers are inspired by stories of women who have made great strides in a field that requires commitment courage and creativity to pursue

zoology cool women who work with animals by jennifer - Oct 21 2022

web zoology is the study of everything having to do with animals including how and why they look act and behave in their uh oh it looks like your internet explorer is out of date

zoology cool women who work with animals - Jan 24 2023

web zoology cool women who work with animals introduces readers to three women in the field of zoology who are making an impact and inspiring the next generation of zoologists stephanie kim is a graduate student in canada studying different species of

guide to zoology jobs indeed com - Apr 14 2022

web feb 3 2023 jobs in zoology a zoologist studies animals and their behavior in the field lab or controlled environments such as zoos because zoology is such a broad scientific field career choices can fall anywhere within a wide range of choices some impactful jobs in zoology are listed below

zoology cool women who work with animals amazon com - Jun 28 2023

web apr 11 2017 zoology cool women who work with animals uses primary sources essential questions and knowledge connections to encourage both boys and girls to explore the animal world while being inspired to ask

zoology cool women who work with animals girls in science - Dec 23 2022

web zoology cool women who work with animals girls in science ebook swanson jennifer chandhok lena amazon com au kindle store

category women zoologists wikipedia - Jun 16 2022

web women zoologists help wikimedia commons has media related to female zoologists this is a non diffusing subcategory of category zoologists it includes zoologists that can also be found in the parent category or in diffusing subcategories of the parent

zoology cool women who work with animals amazon com - Mar 26 2023

web apr 11 2017 zoology cool women who work with animals is intriguing thought provoking and effective a mustread book for all girls young women illustrated by lena chandhok published by nomad press in the girls in science series

[17 jobs in zoology and the required education for each](#) - May 16 2022

web mar 10 2023 updated march 10 2023 working in zoology is an appealing career option for those with an interest in animals and wildlife to find a job in this scientific field you must meet certain educational requirements certain jobs in zoology require at least a bachelor s degree while others require advanced degrees

zoology cool women who work with animals girls in science - Aug 31 2023

web apr 17 2017 zoology cool women who work with animals girls in science kindle edition by swanson jennifer chandhok lena download it once and read it on your kindle device pc phones or tablets use features like bookmarks note taking and highlighting while reading zoology cool women who work with animals girls in science

zoology on apple books - Aug 19 2022

web zoology cool women who work with animals uses primary sources essential questions and knowledge connections to encourage both boys and girls to explore the animal world while being inspired to ask what role they might play in the field of zoology

english 12 macbeth act 1 selection test flashcards quizlet - Aug 04 2023

web based upon the information in act 1 what can you infer about king duncan tortured ambivalence which of the following best describes macbeth s feelings about the possible assassination of king duncan

[macbeth act 1 test flashcards quizlet](#) - Jan 29 2023

web macdonwald was a traitor and betrayed duncan in battle name four predictions made by the witches when they greet macbeth and banquo 1 macbeth will be thane of cawdor 2 macbeth will be king 3 banquo won t be king but his offspring will be kings

[the tragedy of macbeth act i test review 108 plays quizizz](#) - Mar 31 2023

web 50 questions copy edit show answers see preview multiple choice 1 minute 1 pt ross reports that the invading king of norway and the rebel thane of cawdor were challenged and defeated by duncan macbeth angus lennox multiple choice 1 minute 1 pt what kind of force are the witches internal force external force intellectual force merciless force

[the tragedy of macbeth act 1 selection test answer key](#) - Oct 06 2023

web dec 10 2022 answer metaphysical after macbeth s first victory the norwegian lord with arms and new supplies of men began a fresh assault answer furbished my malcolm says to duncan answer liege macbeth calls the predictions a greeting answer prophetic

macbeth act 1 multiple choice and short answer quiz tpt - Sep 24 2022

web the quiz features 10 multiple choice questions on the above concepts 1 point each and 5 short answer questions applied to william shakespeare s classic macbeth the quiz totals to 20 points and can be used in combination with the other act quizzes to total to 100 points

[the tragedy of macbeth act 1 flashcards quizlet](#) - Jun 02 2023

web top creator on quizlet terms in this set 23 valor marked by courage or bravery treasons betrays of one s country or oath of loyalty imperial of an empire having supreme authority liege lord or king sovereign supreme in power rank or authority duncan king of scotland malcolm and donalbain duncan s sons fleance banquets son siward

the tragedy of macbeth act 1 selection test answer key i - Jul 23 2022

web dec 10 2022 based upon the company in act 1 what could you infer about king duncan answer he places a high select on bravery and constancy whatever of who following best describes macbeth s feelings concerning this possible assassination of king

[macbeth act 1 scenes 1 4 quiz quick quiz sparknotes](#) - Jul 03 2023

web quick quizzes act 1 scenes 1 4 quiz 1 of 5 who is the king when the play starts duncan malcom cawdor macduff 2 of 5 whom does macbeth defeat in battle duncan s armies king edward s english army the armies of norway and ireland banquo 3 of 5 what do the witches prophesy macbeth will be king and his sons will inherit the throne

macbeth act i selection test flashcards quizlet - Sep 05 2023

web study with quizlet and memorize flashcards containing terms like central theme of act 1 of macbeth why did shakespeare write in blank verse what is macbeth s tragic flaw and more

[macbeth act 1 quiz teaching resources](#) - Dec 28 2022

web jun 15 2023 looking for macbeth act 1 quiz questions and answers test your knowledge with these 10 key questions covering characters prophecies motivations and pivotal events in shakespeare s macbeth act 1 enhance your understanding of the play and prepare for your assessment with these ready to use quiz questions and accurate

the tragedy of macbeth act 1 selection test answers - May 21 2022

web enter the realm of the tragedy of macbeth act 1 selection test answers a mesmerizing literary masterpiece penned by a distinguished author guiding readers on a profound journey to unravel the secrets and potential hidden within every word

[the tragedy of macbeth act 1 selection test answer key i](#) - Mar 19 2022

web dec 10 2022 what is the central view for act 1 answer betrayal available which of the following reasons did shakespeare probably choose to write macbeth included blank verse answer to create an effect of unaffected speech whichever appears to be macbeth s character mistakes replies a lust for energy

[macbeth act 1 test 3 5k plays quizizz](#) - Feb 27 2023

web macbeth will bribe the guards with money and titles in order to hire them to kill the king at night lady macbeth will get the guards drunk and then macbeth will kill the king in his sleep with their daggers macbeth s soldiers will come to the banquet disguised as robbers where they will murder duncan and malcolm

macbeth questions answers sparknotes - May 01 2023

web while macbeth s motive is unclear it is suggested that macbeth kills king duncan s two chamberlains in an act of fear and horror lady macbeth s original plan is to get king duncan s chamberlains so drunk that they pass out and then frame them for king duncan s murder by having macbeth leave two bloody daggers in their hands

the tragedy of macbeth act 1 selection test answer key i - Nov 26 2022

web dec 10 2022 what important role do the witches sport in act 1 answer they foreshadow events based based the information in act 1 what can yourself deducing about king duncan answer he spots a high value on bravery and devotion which of the following best describes macbeth s my about who feasible assassination of king

the tragedy a macbeth act 1 selection test answer key i - Jun 21 2022

web dec 10 2022 answer it has ten sylves with the stress falling on every second syllable what important role take the witches play in act 1 answer they foreshadow events based upon the information in act 1 what can you deduce about king duncan answer i places a high value on braver plus loyalty

macbeth act 1 test docx name date the tragedy of - Aug 24 2022

web name date the tragedy of macbeth act i william shakespeare first read comprehension identify the choice that best answers the question 1 in act i of the tragedy of macbeth how does macbeth become the thane of cawdor a he receives the title from the king after defeating the previous thane of cawdor in battle b

tragedy macbeth act 1 selection test answers full pdf - Feb 15 2022

web 1 tragedy macbeth act 1 selection test answers ultimate psychometric tests jul 15 2022 are you faced with an upcoming psychometric test as part of a job application do you want to practise your technique and perfect your score the best selling ultimate psychometric tests now in its fourth edition is

macbeth act 1 quiz answer key exam social - Oct 26 2022

web macbeth act 1 test literature quiz quizizz he had hoped to be wholly cured of it by the death of banquo and fleance but with the news of the latter s escape his fit of fear attacks him again i had else been perfect i would otherwise i by banquo s death macbeth is at least relieved of his present fears

tragedy macbeth act 1 selection test answers - Apr 19 2022

web tragedy macbeth act 1 selection test answers essay writing service essayerudite com custom writing may 5th 2018 we provide excellent essay writing service 24 7 enjoy proficient essay writing and custom writing services provided by

professional academic writers culture music tv amp radio books film art dance