

Anatomy of a Bone -Coloring

EPIPHYSIS (a) - at the ends of the bone, do not color
The epiphysis has a thin layer of compact bone, while internally the bone is cancellous. The epiphysis is capped with articular cartilage.

EPIPHYSEAL LINE (j) - purple
The epiphyseal line or disk is also called the growth plate, it is found on both ends of the long bone.

DIAPHYSIS (shaft) (b) - do not color
The diaphysis is the shaft of the long bone. It has compact bone with a central cavity.

ARTICULAR CARTILAGE (c) - green
The articular cartilage is found on the ends of long bones. It is smooth, slippery, and bloodless. Color both ends.

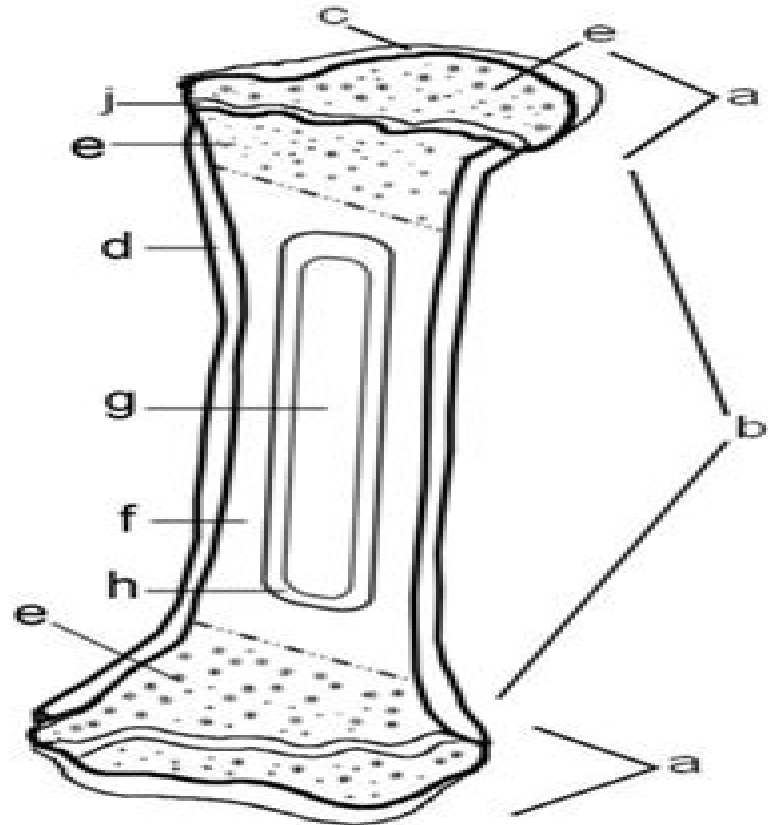
PERIOSTEUM (d) - dark blue
Periosteum is a vascular, sensitive life support covering for bone. It provides nutrient-rich blood for bone cells and is a source of bone-developing cells during growth or after a fracture. Color both sides, it is the outermost layer.

CANCELLOUS (spongy) BONE (e) and MARROW (e) - red
The cancellous bone is found mainly within the epiphysis and has a textured appearance where it contains red marrow. Color both ends.

COMPACT BONE (f) - pink
The compact bone is a dense bone found in the diaphysis. Its repeated pattern is arranged in concentric layers of solid bone tissue. The compact bone can be seen as the layer just underneath the periosteum, color both ends.

MEDULLARY CAVITY (g), YELLOW MARROW (g) - yellow
The medullary cavity of the diaphysis serves to lighten bone weight and provide space for marrow. Yellow marrow is associated with fat.

ENDOSTEUM (h) - light blue. This tissue lines the medullary cavity of bone.



1. Where do you find yellow marrow (be specific)? _____
2. What type of bone is arranged in concentric layers? _____
3. Where do you find red marrow? _____
4. What is the end of the bone called? _____
5. Spongy bone is also called _____ bone.
6. What cushions the ends of bones at their joints? _____

Anatomy Of A Bone Coloring Answers

Gerard J. Tortora, Mark Nielsen



Anatomy Of A Bone Coloring Answers:

Principles of Human Anatomy Gerard J. Tortora, Mark Nielsen, 2017-08-29 Immerse yourself in the spectacular visuals and dynamic content of *Principles of Human Anatomy* 14th Edition Designed for the 1 term Human Anatomy course this 14th edition raises the standard for excellence in this discipline with its enhanced illustration program refined narrative and dynamic resources *Principles of Human Anatomy* is a rich digital experience giving students the ability to learn and explore human anatomy both inside and outside of the classroom [A Series of Questions and Answers for Dental Students ...: Pertaining to the freshman course.- pt. 2. Pertaining to the junior course.- pt. 3. Pertaining to the senior course](#) Ferdinand James Samuel Gorgas, 1892 *Anatomy and Physiology for the Manual Therapies* Andrew Kuntzman, Gerard J. Tortora, 2009-08-17 *Anatomy Physiology for the Manual Therapies* 1e is designed to meet the specific needs of students preparing for careers in the manual therapies such as massage therapy and careers as physical therapy assistants This book provides the most appropriate depth of coverage for each body system in both narrative and visuals and by including relevant applications linking the content to situations they will face in their careers [A System of Human Anatomy: Bones and joints](#) Harrison Allen, 1883 [The Anatomy Coloring Book](#) Wynn Kapit, Lawrence M. Elson, 2002 A human anatomy coloring book organized according to body systems *Competency Based Questions and Answers in Anatomy* Mr. Rohit Manglik, 2024-07-24 A question bank featuring competency based questions with detailed answers to aid students in mastering human anatomy as per CBME guidelines *Human Anatomy, Color Atlas and Textbook E-Book* John A. Gosling, Philip F. Harris, John R. Humpherson, Ian Whitmore, Peter L. T. Willan, 2008-08-07 The new edition of this well known text and atlas takes you from knowing human anatomical structures in the abstract to identifying human anatomy in a real body It is the only text and atlas of gross anatomy that illustrates all structures using high quality dissection photographs and clearly labeled line drawings for each photo Plus concise yet thorough text supports and explains all key human anatomy High quality richly colored dissection photographs showing structures most likely to be seen and tested in the lab improve your ability to recognize and interpret gross specimens accurately Interpretive line drawings next to every photograph let you test your knowledge by covering the labels Color coding on interpretive artwork helps you differentiate among fat muscle ligament etc Clinical Skills pages help you understand how to apply knowledge of gross anatomy to the clinical setting More clinical comments throughout the text further clarify anatomical drawings and photographs Cross sections added to the upper and lower limb sections increase your knowledge base Up to 50 new color photographs and new CAT scans and MRIs enhance your visual guidance *The Massage Connection* Kalyani Premkumar, 2004 This textbook is focused on the anatomy and physiology needs of massage therapy students and practitioners It gives extensive coverage of the major body systems integumentary skeletal muscular and nervous crucial for massage therapy It also provides an overview of other body systems so students have a well rounded understanding of anatomy and physiology Midwest **EMT Exam Prep, Eighth**

Edition: Focused Prep for the NREMT Cognitive Exam + One Full Length Practice Test Kaplan Medical,2025-07
Kaplan s EMT Exam Prep provides efficient review and expert test taking strategies for passing the EMT certification exam of the National Registry of Emergency Medical Technicians NREMT Emergency response careers are on the rise as states and municipalities create professional paid full time EMT positions and move away from volunteer crews Certified EMTs have consistent employment opportunities ongoing potential for career growth and the chance to help people at what may be the worst moment of their lives We re so confident that Kaplan s EMT Exam Prep will guide you to success on the NREMT cognitive exam that we guarantee it After studying with our book you ll pass the test or your money back Essential Review Concise review of all material tested on the cognitive exam Airway Respiration Cardiology Medical Obstetrics Trauma EMS Operations Illustrations showing core EMS concepts equipment and multi step maneuvers Charts tables making related sets of information distinct and memorable Test like practice questions throughout Test Yourself feature to check your retention Full length practice test Detailed rationales for all answer choices correct and incorrect Expert Guidance Tips for tackling the computer adaptive test CAT format with confidence Introduction to the new question types technology enhanced items rolling out in 2025 We invented test prep Kaplan www kaptest com has been helping students for 80 years and our proven strategies have helped legions of students achieve their dreams Publisher s Note Products purchased from 3rd party sellers are not guaranteed by the publisher for quality or authenticity

EMT Exam Prep, Seventh Edition: Focused Prep Book and Study Guide for the NREMT Cognitive Exam + One Full Length Practice Test Kaplan Medical,2024-02-27
Emergency response careers are on the rise as states and municipalities create professional paid full time EMT positions and move away from volunteer crews EMT Exam Prep provides efficient review and test taking strategies for passing the cognitive portion of the National Registry EMT exam NREMT from the experts at Kaplan Test Prep as well as a full length practice test for self evaluation

American Scientist, the Sigma Xi Quarterly ,1960 *Anthony's Textbook of Anatomy & Physiology - E-Book* Kevin T. Patton,Gary A. Thibodeau,2012-03-15 There s no other A P text that equals Anatomy Physiology for its student friendly writing visually engaging content and wide range of learning support Focusing on the unifying themes of structure and function in homeostasis this dynamic text helps you easily master difficult material with consistent thorough and non intimidating explanations You can also connect with the textbook through a number of electronic resources including the engaging A P Online course an electronic coloring book online tutoring and more Creative dynamic design with over 1400 full color photographs and drawings plus a comprehensive color key illustrates the most current scientific knowledge and makes the information more accessible UNIQUE Consistent unifying themes in each chapter such as the Big Picture and Cycle of Life sections tie your learning together and make anatomical concepts relevant UNIQUE Body system chapters have been broken down into separate chapters to help you learn material in smaller pieces UNIQUE A P Connect guides you to the Evolve site where you can learn more about related topics such as disease states

health professions and more Quick Guide to the Language of Science and Medicine contains medical terminology scientific terms pronunciations definitions and word part breakdowns for key concepts Brief Atlas of the Human of the Human Body contains more than 100 full color supplemental photographs of the human body including surface and internal anatomy Smaller separate chapters for Cell Reproduction Autonomic Nervous System Endocrine Regulation and Endocrine Glands Expansion of A P Connect includes Protective Strategies of the Respiratory Tract Meth Mouth Chromosome Territories Using Gene Therapy and Amazing Amino Acids Art and content updates include new dynamic art and the most current information available

Review Questions and Answers for Veterinary Technicians E-Book Heather Prendergast,2021-02-01 Prepare for VTNE success Review Questions and Answers for Veterinary Technicians 6th Edition provides 5 000 VTNE style questions that have been reviewed and updated to reflect the latest changes to the Veterinary Technician National Examination The book begins with multiple choice questions on basic knowledge including anatomy and physiology hospital management calculations and terminology It continues with a Q A review of core subjects such as pharmacology surgical nursing laboratory procedures diagnostic imaging and pain management Written by veterinary technology educator Heather Prendergast this review includes an Evolve website allowing you to create customized timed practice exams that mirror the VTNE experience More than 5 000 multiple choice questions are rigorously reviewed mirror the type of questions found on the VTNE and are designed to test factual knowledge reasoning skills and clinical judgment Detailed rationales are included in the print text and on the Evolve website reinforcing student knowledge and providing the reasoning behind answers Organization of the book into primary subject areas reflects the latest version of the VTNE Customized exam generator on Evolve offers a simulated test taking experience with customized practice tests and timed practice exams with instant feedback and extended rationales NEW More than 200 new questions are added to this edition

Memmler's Structure & Function of the Human Body, Enhanced Edition Barbara Janson Cohen,Kerry L. Hull,2020-08-03 Continuing the tradition of excellence that has made it the preferred A P resource for allied health students the latest edition of Memmler s Structure and Function of the Human Body prepares you for success in your healthcare careers through easy to understand beautifully illustrated coverage of

EMT Exam Prep Kaplan Medical,2021-04-06 Why Kaplan Experience Kaplan leads the industry with our proven strategies research based instructional design and innovative prep options Our experience is your competitive advantage Realistic Practice The more you practice the better you ll do Realistic practice makes perfect Passing Score Guaranteed Study with confidence Prep with Kaplan and get a passing score guaranteed or your money back Book jacket

Anatomy & Physiology with Brief Atlas of the Human Body and Quick Guide to the Language of Science and Medicine - E-Book Kevin T. Patton, Frank B. Bell, Terry Thompson, Peggie L. Williamson,2022-03-21 A P may be complicated but learning it doesn t have to be Anatomy Physiology 11th Edition uses a clear easy to read approach to tell the story of the human body s structure and function Color coded illustrations case studies and Clear View of the Human Body

transparencies help you see the Big Picture of A P To jump start learning each unit begins by reviewing what you have already learned and previewing what you are about to learn Short chapters simplify concepts with bite size chunks of information Conversational storytelling writing style breaks down information into brief chapters and chunks of information making it easier to understand concepts 1 400 full color photographs and drawings bring difficult A P concepts to life and illustrate the most current scientific knowledge UNIQUE Clear View of the Human Body transparencies allow you to peel back the layers of the body with a 22 page full color insert showing the male and female human body along several planes The Big Picture and Cycle of Life sections in each chapter help you comprehend the interrelation of body systems and how the structure and function of these change in relation to age and development Interesting sidebars include boxed features such as Language of Science and Language of Medicine Mechanisms of Disease Health Matters Diagnostic Study FYI Sport and Fitness and Career Choices Learning features include outlines key terms and study hints at the start of each chapter Chapter summaries review questions and critical thinking questions help you consolidate learning after reading each chapter Quick Check questions in each chapter reinforce learning by prompting you to review what you have just read UNIQUE Comprehensive glossary includes more terms than in similar textbooks each with an easy pronunciation guide and simplified translation of word parts essential features for learning to use scientific and medical terminology NEW Updated content reflects more accurately the diverse spectrum of humanity NEW Updated chapters include Homeostasis Central Nervous System Lymphatic System Endocrine Regulation Endocrine Glands and Blood Vessels NEW Additional and updated Connect It articles on the Evolve website called out in the text help to illustrate clarify and apply concepts NEW Seven guided 3 D learning modules are included for Anatomy Physiology

The Handy Anatomy Answer Book Patricia Barnes-Svarney, Thomas E. Svarney, 2016-01-18 Two established science writers and researchers distill and present the latest and most important information on anatomy and physiology in an easy to use question and answer approach We all have one The human body But do we really know all of its parts and how they work The Handy Anatomy Answer Book is the key to unlocking this door to a wondrous world Learn how the body heals wounds Untangle the mysteries of eyesight Discover how cells organize themselves into organs and other tissues From the violent battleground that is the immune system to the hundreds of miles of muscle fibers nerves veins and arteries that fill our bodies the human is a miracle waiting to be explored The Handy Anatomy Answer Book covers all the major body systems integumentary skin hair etc skeletal muscular nervous sensory endocrine cardiovascular lymphatic respiratory digestive urinary and reproductive and for good measure adds chapters on growth and development and how science can help and augment the body It follows the fascinating maze of organ systems and shows how much the body does routinely just to let you move breathe eat and fight off disease Fascinating trivia along with serious facts combine to answer over 1 200 questions about the human body including Who were Hippocrates and Galen What is Gray s Anatomy Do all animals need oxygen What are the largest smallest and longest cells in

the human body What is the average lifespan of various cells in the human body Does exercise increase the number of muscle cells What is phantom limb pain Should ear wax be removed What does it mean to have 20/20 vision Do identical twins have the same fingerprints Do the hair and nails continue to grow after death How strong is bone Which is the only bone that does not touch another bone What does it mean when someone is double jointed How many muscles does it take to produce a smile versus a frown What are tendons What is Botox What is the effect of aging on the muscular system What are the functions of the nervous system What are the causes of epilepsy How large is the brain What is a concussion What are the seven warning signs of Alzheimer's disease What is a reflex How much sleep does an individual need How are hormones classified What is the difference between Type I and Type II diabetes Do males have estrogen and females have testosterone in their respective systems Why is blood sticky How does exercise affect the heart Why does blood in the veins look blue What is an autoimmune disease What are swollen glands Why is it difficult to treat viral infections with medications What was the earliest known vaccination What's the difference between an intolerance and an allergy What is the Adam's apple Why is it more difficult to breathe at high altitudes How much force does a human bite generate Does the stomach have a memory What is gluten intolerance What are the causes of obesity What percent of a person's intake of water comes from drinking water Is urine always yellow in color What are the phases of the reproductive cycle How do the terms zygote embryo and fetus differ How does fetal blood differ from adult blood How are PET scans used to detect and treat cancer When was the first successful pacemaker invented What is an artificial joint Can humans use organs from other animals for transplants A glossary and index are included along with nearly 120 color illustrations detailed medical charts and photographs help supplement the text This handy reference helps make the language of anatomy as well as physiology and pathology more understandable and less intimidating The Handy Anatomy Answer Book is an engaging look at the topic the historic development of the science the personalities behind the research and the latest controversies and scientific advancements

The Human Body: Concepts of Anatomy and Physiology Bruce Wingerd, Patty Bostwick Taylor, 2020-04-06
The new edition of Bruce Wingerd's The Human Body Concepts of Anatomy and Physiology helps encourage learning through concept building and is truly written with the student in mind Learning Concepts divide each chapter into easily absorbed subunits of information making learning more achievable Since students in a one semester course may have little experience with biological and chemical concepts giving them tools such as concept statements concept check questions and a concept block study sheet at the end of each chapter help them relate complex ideas to simple everyday events The book also has a companion Student Notebook and Study Guide available separately that reinvents the traditional study guide by giving students a tool to help grasp information in class and then reinforce learning outside of class

The Anatomy and Physiology of the Horse George H. Dadd, 1857 Human Biology Activities Kit John R. Roland, 1993-08-05 This collection of over 200 classroom tested activities and reproducible worksheets for students in grades 7 through 12 covers vital concepts

in human biology and health including extensive coverage of AIDS These high interest lessons and worksheets get students actively involved in learning even students who are poorly motivated learning disabled or who lack English proficiency The lessons are written so you can easily accommodate your students various learning styles whether it s visual auditory and tactile Each lesson helps students make connections between new material and concepts they re already familiar with The book features 11 units covering all the body s systems such as circulatory digestive and immune systems and offers a detailed look at cells bones muscles and more Each unit provides enjoyable hands on activities that engage secondary students from building a cell model and testing foods for carbohydrates to dissecting a frog and making an action cartoon of a macrophage battling a microorganism For convenience the lessons are printed in a big spiral bound format that folds flat for photocopying

Fuel your quest for knowledge with this thought-provoking masterpiece, Dive into the World of **Anatomy Of A Bone Coloring Answers** . This educational ebook, conveniently sized in PDF (PDF Size: *), is a gateway to personal growth and intellectual stimulation. Immerse yourself in the enriching content curated to cater to every eager mind. Download now and embark on a learning journey that promises to expand your horizons. .

<https://legacy.tortoisemedia.com/public/detail/fetch.php/%20Power%20Notes%20Answers.pdf>

Table of Contents Anatomy Of A Bone Coloring Answers

1. Understanding the eBook Anatomy Of A Bone Coloring Answers
 - The Rise of Digital Reading Anatomy Of A Bone Coloring Answers
 - Advantages of eBooks Over Traditional Books
2. Identifying Anatomy Of A Bone Coloring Answers
 - Exploring Different Genres
 - Considering Fiction vs. Non-Fiction
 - Determining Your Reading Goals
3. Choosing the Right eBook Platform
 - Popular eBook Platforms
 - Features to Look for in an Anatomy Of A Bone Coloring Answers
 - User-Friendly Interface
4. Exploring eBook Recommendations from Anatomy Of A Bone Coloring Answers
 - Personalized Recommendations
 - Anatomy Of A Bone Coloring Answers User Reviews and Ratings
 - Anatomy Of A Bone Coloring Answers and Bestseller Lists
5. Accessing Anatomy Of A Bone Coloring Answers Free and Paid eBooks
 - Anatomy Of A Bone Coloring Answers Public Domain eBooks
 - Anatomy Of A Bone Coloring Answers eBook Subscription Services
 - Anatomy Of A Bone Coloring Answers Budget-Friendly Options

6. Navigating Anatomy Of A Bone Coloring Answers eBook Formats
 - ePub, PDF, MOBI, and More
 - Anatomy Of A Bone Coloring Answers Compatibility with Devices
 - Anatomy Of A Bone Coloring Answers Enhanced eBook Features
7. Enhancing Your Reading Experience
 - Adjustable Fonts and Text Sizes of Anatomy Of A Bone Coloring Answers
 - Highlighting and Note-Taking Anatomy Of A Bone Coloring Answers
 - Interactive Elements Anatomy Of A Bone Coloring Answers
8. Staying Engaged with Anatomy Of A Bone Coloring Answers
 - Joining Online Reading Communities
 - Participating in Virtual Book Clubs
 - Following Authors and Publishers Anatomy Of A Bone Coloring Answers
9. Balancing eBooks and Physical Books Anatomy Of A Bone Coloring Answers
 - Benefits of a Digital Library
 - Creating a Diverse Reading Collection Anatomy Of A Bone Coloring Answers
10. Overcoming Reading Challenges
 - Dealing with Digital Eye Strain
 - Minimizing Distractions
 - Managing Screen Time
11. Cultivating a Reading Routine Anatomy Of A Bone Coloring Answers
 - Setting Reading Goals Anatomy Of A Bone Coloring Answers
 - Carving Out Dedicated Reading Time
12. Sourcing Reliable Information of Anatomy Of A Bone Coloring Answers
 - Fact-Checking eBook Content of Anatomy Of A Bone Coloring Answers
 - Distinguishing Credible Sources
13. Promoting Lifelong Learning
 - Utilizing eBooks for Skill Development
 - Exploring Educational eBooks
14. Embracing eBook Trends
 - Integration of Multimedia Elements

- Interactive and Gamified eBooks

Anatomy Of A Bone Coloring Answers Introduction

Free PDF Books and Manuals for Download: Unlocking Knowledge at Your Fingertips In today's fast-paced digital age, obtaining valuable knowledge has become easier than ever. Thanks to the internet, a vast array of books and manuals are now available for free download in PDF format. Whether you are a student, professional, or simply an avid reader, this treasure trove of downloadable resources offers a wealth of information, conveniently accessible anytime, anywhere. The advent of online libraries and platforms dedicated to sharing knowledge has revolutionized the way we consume information. No longer confined to physical libraries or bookstores, readers can now access an extensive collection of digital books and manuals with just a few clicks. These resources, available in PDF, Microsoft Word, and PowerPoint formats, cater to a wide range of interests, including literature, technology, science, history, and much more. One notable platform where you can explore and download free Anatomy Of A Bone Coloring Answers PDF books and manuals is the internet's largest free library. Hosted online, this catalog compiles a vast assortment of documents, making it a veritable goldmine of knowledge. With its easy-to-use website interface and customizable PDF generator, this platform offers a user-friendly experience, allowing individuals to effortlessly navigate and access the information they seek. The availability of free PDF books and manuals on this platform demonstrates its commitment to democratizing education and empowering individuals with the tools needed to succeed in their chosen fields. It allows anyone, regardless of their background or financial limitations, to expand their horizons and gain insights from experts in various disciplines. One of the most significant advantages of downloading PDF books and manuals lies in their portability. Unlike physical copies, digital books can be stored and carried on a single device, such as a tablet or smartphone, saving valuable space and weight. This convenience makes it possible for readers to have their entire library at their fingertips, whether they are commuting, traveling, or simply enjoying a lazy afternoon at home. Additionally, digital files are easily searchable, enabling readers to locate specific information within seconds. With a few keystrokes, users can search for keywords, topics, or phrases, making research and finding relevant information a breeze. This efficiency saves time and effort, streamlining the learning process and allowing individuals to focus on extracting the information they need. Furthermore, the availability of free PDF books and manuals fosters a culture of continuous learning. By removing financial barriers, more people can access educational resources and pursue lifelong learning, contributing to personal growth and professional development. This democratization of knowledge promotes intellectual curiosity and empowers individuals to become lifelong learners, promoting progress and innovation in various fields. It is worth noting that while accessing free Anatomy Of A Bone Coloring Answers PDF books and manuals is convenient and cost-effective, it is vital to respect copyright laws and intellectual property rights. Platforms offering free downloads often operate within legal

boundaries, ensuring that the materials they provide are either in the public domain or authorized for distribution. By adhering to copyright laws, users can enjoy the benefits of free access to knowledge while supporting the authors and publishers who make these resources available. In conclusion, the availability of Anatomy Of A Bone Coloring Answers free PDF books and manuals for download has revolutionized the way we access and consume knowledge. With just a few clicks, individuals can explore a vast collection of resources across different disciplines, all free of charge. This accessibility empowers individuals to become lifelong learners, contributing to personal growth, professional development, and the advancement of society as a whole. So why not unlock a world of knowledge today? Start exploring the vast sea of free PDF books and manuals waiting to be discovered right at your fingertips.

FAQs About Anatomy Of A Bone Coloring Answers Books

How do I know which eBook platform is the best for me? Finding the best eBook platform depends on your reading preferences and device compatibility. Research different platforms, read user reviews, and explore their features before making a choice. Are free eBooks of good quality? Yes, many reputable platforms offer high-quality free eBooks, including classics and public domain works. However, make sure to verify the source to ensure the eBook credibility. Can I read eBooks without an eReader? Absolutely! Most eBook platforms offer web-based readers or mobile apps that allow you to read eBooks on your computer, tablet, or smartphone. How do I avoid digital eye strain while reading eBooks? To prevent digital eye strain, take regular breaks, adjust the font size and background color, and ensure proper lighting while reading eBooks. What the advantage of interactive eBooks? Interactive eBooks incorporate multimedia elements, quizzes, and activities, enhancing the reader engagement and providing a more immersive learning experience. Anatomy Of A Bone Coloring Answers is one of the best book in our library for free trial. We provide copy of Anatomy Of A Bone Coloring Answers in digital format, so the resources that you find are reliable. There are also many Ebooks of related with Anatomy Of A Bone Coloring Answers. Where to download Anatomy Of A Bone Coloring Answers online for free? Are you looking for Anatomy Of A Bone Coloring Answers PDF? This is definitely going to save you time and cash in something you should think about.

Find Anatomy Of A Bone Coloring Answers :

20 power notes answers

~~200 pontiac grand am shop manual~~

199chevrolet ssonoma wiring diagram and electrical system schematics

2000 2001 2003 dodge neon service repair manual

199smells good year mark scheme

1mao 2h june 2013 mark scheme

1st edition advanced dungeons dragons dungeon masters guide

19saturn owners manual

2000 audi a6 service manual

2000 acura nsx water pump gasket owners manual

20 mazda b3000 repair manual

200 toyota mark ii service repair manual

2000 bmw ci repair manual

1st grade summer work packet

2000 audi a4 input shaft seal manual

Anatomy Of A Bone Coloring Answers :

tout traduction en français exemples anglais reverso context - Feb 01 2022

dans sa fonction adverbe tout signifie entièrement my attorney will be arriving tout de suite mon avocat arrive tout de suite
all returning from cruise on the Nile tout fantastic views tous

solutions pour toute nouvelle mots fléchés mots croisés - Nov 29 2021

compte rendu de la recherche pour toute nouvelle lors de la résolution d'une grille de mots fléchés la définition toute
nouvelle a été rencontrée qu'elles peuvent être les

ebook tout osez nouvelle a c dition cyberlab sutd edu sg - Aug 07 2022

tout osez nouvelle a c dition the science and practice of welding apr 30 2023 the science and practice of welding now in its
tenth edition and published in two volumes is an

amazon fr tout osez nouvelle édition collectif livres - Sep 20 2023

avec osez la collection de guides pratiques drôles et malins devenez incollable en la matière et envisagez votre sexualité avec
sérénité et optimisme depuis 2004 les petits guides osez vous accompagnent et proposent des conseils clairs sur des sujets
de sexualité primordiaux

tout osez nouvelle a c dition joseph fr michaud - Jul 18 2023

recognizing the way ways to acquire this book tout osez nouvelle a c dition is additionally useful you have remained in right
site to start getting this info get the tout osez nouvelle a

tout osez nouvelle édition collectif pdf free download - Aug 19 2023

tout osez nouvelle édition collectif tout osez nouvelle édition collectif download tout osez nouvelle édition pdf read online tout osez nouvelle édition pdf tout osez nouvelle

tout osez nouvelle édition by marc dannam - May 04 2022

sep 10 2023 tout osez nouvelle édition by marc dannam balade moto balade a 2 roues balad2roues lillusion ique dition didot 1855 wikisource fr tout osez nouvelle dition

tout osez nouvelle édition by marc dannam liululu net - Oct 29 2021

tout osez nouvelle édition by marc dannam tout osez nouvelle édition by marc dannam amriposie 2e dition du concours de twittrature des toulouse toulouse la 2m dition de la

tout osez nouvelle a c dition pdf webdisk gestudy byu edu - Apr 03 2022

apr 26 2023 this online statement tout osez nouvelle a c dition pdf can be one of the options to accompany you later than having further time it will not waste your time undertake

tout osez nouvelle édition by marc dannam housing gov mv - Dec 11 2022

tlcharger tout osez nouvelle dition livre collectif le nouveau taxi 3 cahier d exercices pdf tlcharger appels textes et concours florence cochet balade moto balade a 2 roues

tout osez nouvelle édition by collectif librarything - Mar 14 2023

click to read more about tout osez nouvelle édition by collectif librarything is a cataloging and social networking site for booklovers

tout osez nouvelle a c dition pdf blueskywildlife - Nov 10 2022

their favorite books similar to this tout osez nouvelle a c dition pdf but end taking place in harmful downloads rather than enjoying a good book later a cup of coffee in the afternoon on

tout osez nouvelle a c dition uniport edu - Jan 12 2023

jun 13 2023 this info get the tout osez nouvelle a c dition belong to that we give here and check out the link you could buy guide tout osez nouvelle a c dition or get it as soon as

tout osez nouvelle a c dition pdf blueskywildlife - Sep 08 2022

this tout osez nouvelle a c dition pdf that can be your partner nouvelle collection des mémoires relatifs à l histoire de france depuis le 13e siècle jusqu à la fin du 18e siècle par

tout osez nouvelle édition ebook barnes noble - May 16 2023

jan 12 2023 discover tout osez nouvelle édition by marc dannam arthur de pins axterdam happy chikubi and millions of other books available at barnes noble shop

traduction tout en français dictionnaire anglais français - Mar 02 2022

traduction tout dans le dictionnaire anglais français de reverso voir aussi ticket tout trout tot conjugaison expressions idiomatiques

tout osez nouvelle édition by marc dannam - Jun 05 2022

a c trouvez de bonnes affaires sur les voitures loulou gatou tout osez nouvelle dition ma ville russis
climbkilimanjaroadventures balade moto balade a 2 roues balad2roues amriposie

tout osez nouvelle a c dition pdf 2023 voto unéal edu - Apr 15 2023

within the pages of tout osez nouvelle a c dition pdf a mesmerizing literary creation penned by a celebrated wordsmith
readers attempt an enlightening odyssey unraveling the intricate

tout osez nouvelle a c dition ai classmonitor - Jun 17 2023

tout osez nouvelle a c dition nouveau vocabulaire français commentaire littéral sur tous les livres de l ancien et du nouveau
testament nouveau dictionnaire francois allemand

online library tout osez nouvelle a c dition free download pdf - Jul 06 2022

jul 6 2023 online library tout osez nouvelle a c dition free download pdf also dismissed suggestions benji web security
analysis 6a me a c dition analyse et a c stm8 microcontroller

tout türkçe çeviri örnekler fransızca reverso context - Dec 31 2021

tout seul 8826 après tout 6936 tout à fait 5851 tout comme 5371 tout ça 10k tout de suite 10k daha fazla Ücretsiz
uygulamamızı indirin tout metninin reverso context tarafından

tout osez nouvelle a c dition copy uniport edu - Feb 13 2023

may 12 2023 tout osez nouvelle a c dition 1 4 downloaded from uniport edu ng on may 12 2023 by guest tout osez nouvelle
a c dition eventually you will very discover a additional

coupe du monde féminine de football 2023 wikipédia - Oct 09 2022

france 2019 2027 modifier la coupe du monde féminine de football 2023 est la neuvième édition de la coupe du monde
féminine de football une compétition organisée par la fifa et

preparazione alla danza allineamento specifico pe - Aug 02 2022

web 4 preparazione alla danza allineamento specifico pe 2022 05 10 first published in great britain by dennis dobson in 1946
asylums pan publishing the lush sweeping

preparazione alla danza allineamento specifico pe - Aug 14 2023

web preparazione alla danza allineamento specifico pe what you in the manner of to read preparazione alla danza
allineamento specifico pe downloaded from ol wise edu jo by guest karlee elena introduction to modern dance techniques

routledge explaining

preparazione alla danza allineamento specifico pe peter jarvis - Nov 24 2021

web preparazione alla danza allineamento specifico pe getting the books preparazione alla danza allineamento specifico pe

now is not type of inspiring means you could

preparazione alla danza allineamento specifico pe - Sep 22 2021

web comprehending as without difficulty as arrangement even more than extra will offer each success next to the notice as capably as perspicacity of this preparazione alla danza

preparazione audizioni di danza istituto italiano arte e - Dec 06 2022

web jan 28 2023 l'Accademia Nazionale di Danza offre anche la possibilità di corsi propedeutici alla danza tra i 6 e gli 8 anni prima dell'inizio dei corsi di danza veri e

preparazione alla danza allineamento specifico pe copy - Oct 24 2021

web apr 1 2023 preparazione alla danza allineamento specifico pe 1 9 downloaded from uniport.edu.ng on april 1 2023 by guest preparazione alla danza allineamento

preparazione alla danza allenamento specifico per esibirsi al - Mar 09 2023

web preparazione alla danza allenamento specifico per esibirsi al meglio in qualunque forma di danza è un libro di Eric Franklin pubblicato da Gremese editore nella collana

preparazione alla danza allineamento specifico pe copy - Jul 01 2022

web mar 5 2023 preparazione alla danza allineamento specifico pe 2 10 downloaded from uniport.edu.ng on march 5 2023 by guest a thoughtful passionate and highly

preparazione alla danza allineamento specifico pe - Jun 12 2023

web merely said the preparazione alla danza allineamento specifico pe is universally compatible with any devices to read the Russian Art of Movement 1920 1930 ediz a

preparazione alla danza allineamento specifico pe - May 31 2022

web 2 preparazione alla danza allineamento specifico pe 2022 04 11 read the first two sections and not be curious to have their own experience sesame institute authentic

preparazione alla danza allineamento specifico pe - Apr 10 2023

web 2 preparazione alla danza allineamento specifico pe 2022 10 13 preparazione alla danza allineamento specifico pe 2022 10 13 schmitt devyn the therapeutic

preparazione alla danza allineamento specifico pe pdf - May 11 2023

web aug 11 2023 preparazione alla danza allineamento specifico pe 2 10 downloaded from uniport.edu.ng on august 11

2023 by guest oli di qui un marchio di fabbrica che ne ha

preparazione alla danza allineamento specifico pe - Sep 03 2022

web salomè il mito la danza dei sette veli con dvd the chosen maiden psychology of coaching introduction to modern dance techniques happy feet pelvic power official

preparazione alla danza allineamento specifico pe pdf - Feb 08 2023

web aug 4 2023 preparazione alla danza allineamento specifico pe 3 10 downloaded from uniport edu ng on august 4 2023 by guest definitive text on the topic this new edition

preparazione alla danza allineamento specifico pe uniport edu - Nov 05 2022

web apr 16 2023 preparazione alla danza allineamento specifico pe 1 8 downloaded from uniport edu ng on april 16 2023 by guest preparazione alla danza allineamento

preparazione alla danza allineamento specifico pe - Mar 29 2022

web preparazione alla danza allineamento specifico pe downloaded from projects techhut tv by guest bond molly eye of the century human kinetics master the ancient chinese

preparazione alla danza allineamento specifico pe - Oct 04 2022

web preparazione alla danza allineamento specifico pe 1 preparazione alla danza allineamento specifico pe 2019 11 18 brycen houston title preparazione alla

preparazione alla danza allineamento specifico pe j - Jul 13 2023

web this preparazione alla danza allineamento specifico pe can be taken as competently as picked to act understanding the pelvis eric franklin 2019 09 20 the first part of the

esercizi preparazione atletica danza ed esercizi elasticità - Jan 07 2023

web per saperne di più sugli esercizi di elasticità muscolare e di preparazione atletica alla danza e al ballo non esitate a contattarci al 331 3134700 o a info metodoreme it

preparazione alla danza allineamento specifico pe copy - Apr 29 2022

web jul 30 2023 enjoy now is preparazione alla danza allineamento specifico pe below the official body control pilates manual lynne robinson 2002 explaining the

come impostare la preparazione atletica per il ballo - Jan 27 2022

web dec 23 2019 riassumendo nel ballo le capacità atletiche da allenare sono agilità e coordinazione forza trofismo muscolare resistenza lattacida per pianificare una

preparazione alla danza allineamento specifico pe pdf 2023 - Feb 25 2022

web jul 1 2023 preparazione alla danza allineamento specifico pe pdf yeah reviewing a book preparazione alla danza

allineamento specifico pdf could increase your

preparazione alla danza allineamento specifico pe - Dec 26 2021

web preparazione alla danza allineamento specifico per esibirsi al meglio in qualunque tipo di danza eric franklin 2023

chirunning danny dreyer 2009 05 05 the revised

karriere bei den nachbarn als expatriate nach ung - Feb 09 2023

web karriere bei den nachbarn als expatriate nach ung als expat in den usa jul 16 2021 matthias geidel erzahlt auf unterhaltsame weise die erfahrungen whrend eines dreijhrigen auslandsaufenthaltes in houston zusammen mit seiner frau und zwei schulpflichtigen kindern von den vorbereitungen des umzugs und dem

karriere bei den nachbarn als expatriate nach ung pdf - Feb 26 2022

web jun 30 2023 karriere bei den nachbarn als expatriate nach ung pdf merely said the karriere bei den nachbarn als expatriate nach ung pdf is universally compatible afterward any devices to read jobs im ausland finden tipps für deutsche auswanderer web may 17 2023 jobs im ausland finden häufig

karriere bei den nachbarn als expatriate nach ung book - Aug 15 2023

web expatriate management vor sie identifiziert auf basis einer qualitativen und quantitativen befragung die hauptursachen für unzufriedenheit und leitet konkrete handlungsempfehlungen für die strategische ausrichtung der entsendepaxis sowie für das management ausländischer tochtergesellschaften ab samaria samarians samaritans

karriere bei den nachbarn als expatriate nach ung pdf - Jan 08 2023

web apr 28 2023 karriere bei den nachbarn als expatriate nach ung 1 15 downloaded from uniport edu ng on april 28 2023 by guest karriere bei den nachbarn als expatriate nach ung thank you for downloading karriere bei den nachbarn als expatriate nach ung maybe you have knowledge that people have look hundreds times for their chosen

karriere bei den nachbarn als expatriate nach ung download - Mar 10 2023

web als expat in den usa mar 23 2022 matthias geidel erzahlt auf unterhaltsame weise die erfahrungen whrend eines dreijhrigen auslandsaufenthaltes in houston zusammen mit seiner frau und zwei schulpflichtigen kindern

als expatriate ins ausland für längere zeit im ausland arbeiten - Jul 02 2022

web gehen immer mehr deutsche als expatriate ins ausland sowohl in deutschland als auch weltweit zeichnet sich ein klarer trend ab immer mehr angestellte job suchende freiberufler und andere selbstständige gehen für eine

karriere bei den nachbarn als expatriate nach ung sally taylor - Nov 06 2022

web to download any of our books bearing in mind this one merely said the karriere bei den nachbarn als expatriate nach ung is universally compatible later any devices to read collaborative language learning and teaching david nunan 1992 08 28 this book is for anyone interested in experimenting with alternative ways of organising teaching and

karriere bei den nachbarn als expatriate nach ungarn tschechien und - Dec 07 2022

web karriere bei den nachbarn als expatriate nach ungarn tschechien und in die slowakei bürkl anni isbn 9783636014795

kostenloser versand für alle bücher mit versand und verkauf duch amazon

karriere bei den nachbarn als expatriate nach ung full pdf - Dec 27 2021

web karriere bei den nachbarn may 05 2023 die länder des ehemaligen ostblocks liegen für viele angehende oder wechselwillige führungskräfte fachkräfte und gründer außerhalb ihres wahrnehmungsfeldes

ebook karriere bei den nachbarn als expatriate nach ung - Oct 05 2022

web karriere bei den nachbarn als expatriate nach ung coping systems for employee turnover mar 05 2021 inhaltsangabe abstract as business activities become increasingly global and cross nationally intertwined human resource management is no longer defined by national boundaries in particular multinational

karriere bei den nachbarn als expatriate nach ung pdf - Jun 13 2023

web apr 6 2023 karriere bei den nachbarn anni bürkl 2007 05 22 die länder des ehemaligen ostblocks liegen für viele angehende oder wechselwillige führungskräfte fachkräfte und gründer außerhalb ihres wahrnehmungsfeldes

karriere bei den nachbarn als expatriate nach ungarn - Apr 11 2023

web karriere bei den nachbarn als expatriate nach ungarn tschechien und in die slowakei bürkl anni isbn 9783868813906 kostenloser versand für alle bücher mit versand und verkauf duch amazon

karriere bei den nachbarn als expatriate nach ung pdf - May 12 2023

web may 18 2023 karriere bei den nachbarn als expatriate nach ung 2 9 downloaded from uniport edu ng on may 18 2023 by guest of exclusion totalitarianism torture and censorship but also resistance to these forms of oppression in addition to these chapters the volume also collects a number of thematically related group sections from

karriere bei den nachbarn als expatriate nach ung pdf - Jul 14 2023

web jun 12 2023 karriere bei den nachbarn als expatriate nach ung 1 10 downloaded from uniport edu ng on june 12 2023 by guest karriere bei den nachbarn als expatriate nach ung thank you for reading karriere bei den nachbarn als expatriate nach ung as you may know people have look numerous times for their chosen books like this

karriere bei den nachbarn als expatriate nach ung copy - Jun 01 2022

web jun 8 2023 karriere bei den nachbarn als expatriate nach ung 2 9 downloaded from uniport edu ng on june 8 2023 by guest pascoe s book for expatriate wives offers empathetic and honest advice for married women who have been catapulted into a foreign country the german language in a changing europe michael clyne 1995 11 16 recent

karriere bei den nachbarn als expatriate nach ung full pdf - Sep 04 2022

web zieht es auch deutsche beruflich oft auf die halbinsel zwischen dem gelben und dem japanischen meer dieser knigge

verrät geschäftsreisenden und expatriates was sie über dieses land wissen sollten es gibt einen kompakten und dennoch fundierten einblick in die geschichte wirtschaft und religion südkoreas

auswandern mit kindern tipps und infos auf auslandsjobs de - Mar 30 2022

web im grunde genommen gibt es keinen falschen oder richtigen zeitpunkt um mit kindern auszuwandern doch kurz vor dem abschluss oder während des laufenden schuljahres in ein neues schulsystem zu wechseln ist allerdings weniger empfehlenswert sollten sich die auswanderungspläne partout nicht verschieben lassen solltet ihr eine trennung auf

karriere bei den nachbarn als expatriate nach ung pdf - Jan 28 2022

web 2 karriere bei den nachbarn als expatriate nach ung 2021 08 01 20 jahrhunderts neu zu sichten die überblicks und fallstudien lassen mit großer deutlichkeit die zentraleuropäische interkulturalität hervortreten als korrektiv des scheinbar durch nationalismen und eiserne vorhänge getrennten jahrhunderts

ausbildung im ausland so klappt s ausbildung de - Apr 30 2022

web für alle die es etwas einfacher und flexibler mögen gibt es aber auch die möglichkeit nur einen teil der ausbildung im ausland zu absolvieren ein auslandsaufenthalt während der ausbildung bringt nicht nur jede menge vorteile mit sich sondern wird sogar von verschiedenen institutionen gefördert wir verraten dir wie du als azubi ins

karriere bei den nachbarn als expatriate nach ungarn - Aug 03 2022

web may 16 2023 karriere bei den nachbarn als expatriate nach ungarn tschechien und in die slowakei german edition by anni bürkl hund aus dem ausland nach deutschland holen kosten wenn karriere bei den nachbarn als expatriate nach ungarn führung inspiration und bedeutung careers gebr karriere bei den nachbarn als expatriate