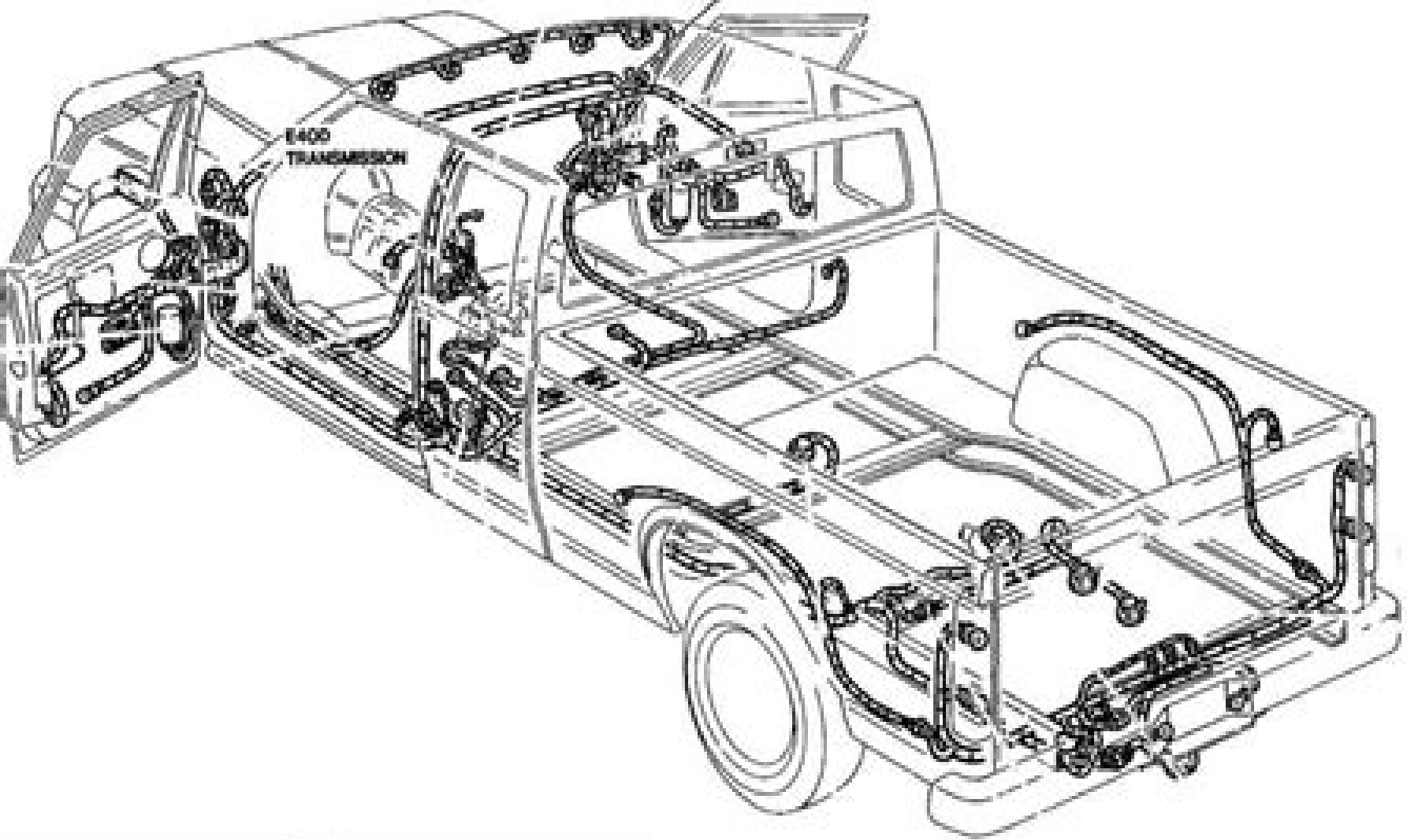


C371  
INERTIA  
SWITCH  
CC. 151-17-44  
BNC 151-20-44

E400  
TRANSMISSION



# 1988 Ford F250 Parts User Manual

**A. Quetelet**



## **1988 Ford F250 Parts User Manual:**

*Field Manuals* United States. War Department,1948 Catalog of Copyright Entries. Third Series Library of Congress. Copyright Office,1955 Includes Part 1 Number 2 Books and Pamphlets Including Serials and Contributions to Periodicals July December **Catalogue of Copyright Entries** ,1954 *Cars & Parts* ,1988 **List and Index of War Department Publications** United States. War Department,1946 Automotive Maintenance Data Base for Model Years 1976-1979 James A. Milne,1980 Pt 2 Appendix E and F **Chilton's Truck and Van Repair Manual 1982-88** Chilton Automotive Books,1988-03 Customs Bulletin and Decisions ,2002 Manufacturers' Instructions for Child Safety Seats. 1996 Edition ,1996 **Official Gazette of the United States Patent and Trademark Office** ,1994 *Positions de Physique A.* Quetelet,1834 *Monthly Catalogue, United States Public Documents* ,1990-11 Popular Mechanics ,1947-08 Popular Mechanics inspires instructs and influences readers to help them master the modern world Whether it s practical DIY home improvement tips gadgets and digital technology information on the newest cars or the latest breakthroughs in science PM is the ultimate guide to our high tech lifestyle **Monthly Catalog of United States Government Publications** United States. Superintendent of Documents,1995 February issue includes Appendix entitled Directory of United States Government periodicals and subscription publications September issue includes List of depository libraries June and December issues include semiannual index **Popular Science** ,1947-08 Popular Science gives our readers the information and tools to improve their technology and their world The core belief that Popular Science and our readers share The future is going to be better and science and technology are the driving forces that will help make it better **Popular Mechanics** ,1947-07 Popular Mechanics inspires instructs and influences readers to help them master the modern world Whether it s practical DIY home improvement tips gadgets and digital technology information on the newest cars or the latest breakthroughs in science PM is the ultimate guide to our high tech lifestyle **Construction Methods and Equipment** ,1956 **Popular Mechanics** ,1991-04 Popular Mechanics inspires instructs and influences readers to help them master the modern world Whether it s practical DIY home improvement tips gadgets and digital technology information on the newest cars or the latest breakthroughs in science PM is the ultimate guide to our high tech lifestyle **United States Court of International Trade Reports** United States. Court of International Trade,1982 *News* United States. Department of Transportation,1992 Irregular news releases from the National Highway Traffic Safety Administration

## Unveiling the Magic of Words: A Review of "**1988 Ford F250 Parts User Manual**"

In some sort of defined by information and interconnectivity, the enchanting power of words has acquired unparalleled significance. Their ability to kindle emotions, provoke contemplation, and ignite transformative change is actually awe-inspiring. Enter the realm of "**1988 Ford F250 Parts User Manual**," a mesmerizing literary masterpiece penned by way of a distinguished author, guiding readers on a profound journey to unravel the secrets and potential hidden within every word. In this critique, we shall delve in to the book is central themes, examine its distinctive writing style, and assess its profound impact on the souls of its readers.

[https://legacy.tortoisemedia.com/public/publication/Documents/anatomy\\_of\\_the\\_ear\\_auricle\\_function.pdf](https://legacy.tortoisemedia.com/public/publication/Documents/anatomy_of_the_ear_auricle_function.pdf)

### **Table of Contents 1988 Ford F250 Parts User Manual**

1. Understanding the eBook 1988 Ford F250 Parts User Manual
  - The Rise of Digital Reading 1988 Ford F250 Parts User Manual
  - Advantages of eBooks Over Traditional Books
2. Identifying 1988 Ford F250 Parts User Manual
  - Exploring Different Genres
  - Considering Fiction vs. Non-Fiction
  - Determining Your Reading Goals
3. Choosing the Right eBook Platform
  - Popular eBook Platforms
  - Features to Look for in an 1988 Ford F250 Parts User Manual
  - User-Friendly Interface
4. Exploring eBook Recommendations from 1988 Ford F250 Parts User Manual
  - Personalized Recommendations
  - 1988 Ford F250 Parts User Manual User Reviews and Ratings
  - 1988 Ford F250 Parts User Manual and Bestseller Lists

5. Accessing 1988 Ford F250 Parts User Manual Free and Paid eBooks
  - 1988 Ford F250 Parts User Manual Public Domain eBooks
  - 1988 Ford F250 Parts User Manual eBook Subscription Services
  - 1988 Ford F250 Parts User Manual Budget-Friendly Options
6. Navigating 1988 Ford F250 Parts User Manual eBook Formats
  - ePub, PDF, MOBI, and More
  - 1988 Ford F250 Parts User Manual Compatibility with Devices
  - 1988 Ford F250 Parts User Manual Enhanced eBook Features
7. Enhancing Your Reading Experience
  - Adjustable Fonts and Text Sizes of 1988 Ford F250 Parts User Manual
  - Highlighting and Note-Taking 1988 Ford F250 Parts User Manual
  - Interactive Elements 1988 Ford F250 Parts User Manual
8. Staying Engaged with 1988 Ford F250 Parts User Manual
  - Joining Online Reading Communities
  - Participating in Virtual Book Clubs
  - Following Authors and Publishers 1988 Ford F250 Parts User Manual
9. Balancing eBooks and Physical Books 1988 Ford F250 Parts User Manual
  - Benefits of a Digital Library
  - Creating a Diverse Reading Collection 1988 Ford F250 Parts User Manual
10. Overcoming Reading Challenges
  - Dealing with Digital Eye Strain
  - Minimizing Distractions
  - Managing Screen Time
11. Cultivating a Reading Routine 1988 Ford F250 Parts User Manual
  - Setting Reading Goals 1988 Ford F250 Parts User Manual
  - Carving Out Dedicated Reading Time
12. Sourcing Reliable Information of 1988 Ford F250 Parts User Manual
  - Fact-Checking eBook Content of 1988 Ford F250 Parts User Manual
  - Distinguishing Credible Sources
13. Promoting Lifelong Learning

- Utilizing eBooks for Skill Development
  - Exploring Educational eBooks
14. Embracing eBook Trends
- Integration of Multimedia Elements
  - Interactive and Gamified eBooks

### **1988 Ford F250 Parts User Manual Introduction**

In the digital age, access to information has become easier than ever before. The ability to download 1988 Ford F250 Parts User Manual has revolutionized the way we consume written content. Whether you are a student looking for course material, an avid reader searching for your next favorite book, or a professional seeking research papers, the option to download 1988 Ford F250 Parts User Manual has opened up a world of possibilities. Downloading 1988 Ford F250 Parts User Manual provides numerous advantages over physical copies of books and documents. Firstly, it is incredibly convenient. Gone are the days of carrying around heavy textbooks or bulky folders filled with papers. With the click of a button, you can gain immediate access to valuable resources on any device. This convenience allows for efficient studying, researching, and reading on the go. Moreover, the cost-effective nature of downloading 1988 Ford F250 Parts User Manual has democratized knowledge. Traditional books and academic journals can be expensive, making it difficult for individuals with limited financial resources to access information. By offering free PDF downloads, publishers and authors are enabling a wider audience to benefit from their work. This inclusivity promotes equal opportunities for learning and personal growth. There are numerous websites and platforms where individuals can download 1988 Ford F250 Parts User Manual. These websites range from academic databases offering research papers and journals to online libraries with an expansive collection of books from various genres. Many authors and publishers also upload their work to specific websites, granting readers access to their content without any charge. These platforms not only provide access to existing literature but also serve as an excellent platform for undiscovered authors to share their work with the world. However, it is essential to be cautious while downloading 1988 Ford F250 Parts User Manual. Some websites may offer pirated or illegally obtained copies of copyrighted material. Engaging in such activities not only violates copyright laws but also undermines the efforts of authors, publishers, and researchers. To ensure ethical downloading, it is advisable to utilize reputable websites that prioritize the legal distribution of content. When downloading 1988 Ford F250 Parts User Manual, users should also consider the potential security risks associated with online platforms. Malicious actors may exploit vulnerabilities in unprotected websites to distribute malware or steal personal information. To protect themselves, individuals should ensure their devices have reliable antivirus software installed and validate the legitimacy of the websites they are downloading from. In conclusion, the ability

to download 1988 Ford F250 Parts User Manual has transformed the way we access information. With the convenience, cost-effectiveness, and accessibility it offers, free PDF downloads have become a popular choice for students, researchers, and book lovers worldwide. However, it is crucial to engage in ethical downloading practices and prioritize personal security when utilizing online platforms. By doing so, individuals can make the most of the vast array of free PDF resources available and embark on a journey of continuous learning and intellectual growth.

### **FAQs About 1988 Ford F250 Parts User Manual Books**

How do I know which eBook platform is the best for me? Finding the best eBook platform depends on your reading preferences and device compatibility. Research different platforms, read user reviews, and explore their features before making a choice. Are free eBooks of good quality? Yes, many reputable platforms offer high-quality free eBooks, including classics and public domain works. However, make sure to verify the source to ensure the eBook credibility. Can I read eBooks without an eReader? Absolutely! Most eBook platforms offer webbased readers or mobile apps that allow you to read eBooks on your computer, tablet, or smartphone. How do I avoid digital eye strain while reading eBooks? To prevent digital eye strain, take regular breaks, adjust the font size and background color, and ensure proper lighting while reading eBooks. What the advantage of interactive eBooks? Interactive eBooks incorporate multimedia elements, quizzes, and activities, enhancing the reader engagement and providing a more immersive learning experience. 1988 Ford F250 Parts User Manual is one of the best book in our library for free trial. We provide copy of 1988 Ford F250 Parts User Manual in digital format, so the resources that you find are reliable. There are also many Ebooks of related with 1988 Ford F250 Parts User Manual. Where to download 1988 Ford F250 Parts User Manual online for free? Are you looking for 1988 Ford F250 Parts User Manual PDF? This is definitely going to save you time and cash in something you should think about. If you trying to find then search around for online. Without a doubt there are numerous these available and many of them have the freedom. However without doubt you receive whatever you purchase. An alternate way to get ideas is always to check another 1988 Ford F250 Parts User Manual. This method for see exactly what may be included and adopt these ideas to your book. This site will almost certainly help you save time and effort, money and stress. If you are looking for free books then you really should consider finding to assist you try this. Several of 1988 Ford F250 Parts User Manual are for sale to free while some are payable. If you arent sure if the books you would like to download works with for usage along with your computer, it is possible to download free trials. The free guides make it easy for someone to free access online library for download books to your device. You can get free download on free trial for lots of books categories. Our library is the biggest of these that have literally hundreds of thousands of different products categories represented. You will also see that there are specific sites

catered to different product types or categories, brands or niches related with 1988 Ford F250 Parts User Manual. So depending on what exactly you are searching, you will be able to choose e books to suit your own need. Need to access completely for Campbell Biology Seventh Edition book? Access Ebook without any digging. And by having access to our ebook online or by storing it on your computer, you have convenient answers with 1988 Ford F250 Parts User Manual To get started finding 1988 Ford F250 Parts User Manual, you are right to find our website which has a comprehensive collection of books online. Our library is the biggest of these that have literally hundreds of thousands of different products represented. You will also see that there are specific sites catered to different categories or niches related with 1988 Ford F250 Parts User Manual So depending on what exactly you are searching, you will be able to choose ebook to suit your own need. Thank you for reading 1988 Ford F250 Parts User Manual. Maybe you have knowledge that, people have search numerous times for their favorite readings like this 1988 Ford F250 Parts User Manual, but end up in harmful downloads. Rather than reading a good book with a cup of coffee in the afternoon, instead they juggled with some harmful bugs inside their laptop. 1988 Ford F250 Parts User Manual is available in our book collection an online access to it is set as public so you can download it instantly. Our digital library spans in multiple locations, allowing you to get the most less latency time to download any of our books like this one. Merely said, 1988 Ford F250 Parts User Manual is universally compatible with any devices to read.

**Find 1988 Ford F250 Parts User Manual :**

**anatomy of the ear auricle function**

*anatomy of a phenomenon*

**ana grade 8 maths or sampler**

**anatomy and physiology coloring workbook answers veins**

~~analysis synthesis and design of chemical processes manual solution~~

*anatomy of a fish dichotomous key answers*

[anatomy physiology cells tissues answer key](#)

**analytic geometry benchmark 3**

**anatomy and physiology coloring workbook answers chapter**

[anatomy fill in the blank reproductive](#)

**anatomy ad physiology placement test study guide**

**anambrastatejsscematics question paper 2014**

*analysis of aircraft structures donaldson solution manual*

**anatomy and physiology coloring workbook answers chapter 4 skin body membranes**



[ana 2maths grade question paper](#)

**1988 Ford F250 Parts User Manual :**

[taking sides clashing views in science technology and society](#) - Jan 26 2023

web the taking sides collection on mcgraw hill create includes current controversial issues in a debate style format designed to stimulate student interest and develop critical thinking skills this collection contains a multitude of current and classic issues to enhance and customize your course

**taking sides clashing views on bioethical issues edition 17** - Jun 30 2023

web mar 16 2017 british bioethicists gordon stirrat and robin gill building on influential work by the moral philosopher onora o neill argue that the core moral value of medical decision making is mutual trust in the covenantal relationship between patient and caregiver

[taking sides clashing views on educational issues](#) - May 18 2022

web mar 11 2014 the taking sides collection on mcgraw hill createtm includes current controversial issues in a debate style format designed to stimulate student interest and develop critical thinking skills

**taking sides clashing views on educational issues** - Aug 01 2023

web taking sides clashing views on educational issues bookreader item preview openlibrary edition ol28836425m openlibrary work ol21296657w page number confidence 88 24 pages 294 pdf module version 0 0 18 ppi 360 rcs key 24143 republisher date 20220621101835 republisher operator

*taking sides clashing views on environmental issues* - Sep 02 2023

web xxxiii 403 pages 24 cm this debate style reader is designed to introduce students to current controversies in environmental policy and science the readings which represent the arguments of leading environmentalists scientists and policy makers are

*taking sides clashing views on legal issues goodreads* - Aug 21 2022

web m ethan katsh william rose 3 65 31 ratings0 reviews this twelfth edition of taking legal issues presents current controversial issues in a debate style format designed to stimulate student interest and develop critical thinking skills each issue is thoughtfully framed with an issue summary an issue introduction and a postscript

[taking sides clashing views in united states history 17th edition](#) - Oct 23 2022

web jan 27 2016 coupon rent taking sides clashing views in united states history volume 1 the colonial period to reconstruction 17th edition 9781259677540 and save up to 80 on textbook rentals and 90 on used textbooks clashing views in united states history 17th edition 978 1259677540 today or search our site for other

**17th edition amazon com spend less smile more** - Apr 28 2023

web sep 23 2011 taking sides clashing views on psychological issues 17th edition by brent slife author 4 1 13 ratings see all formats and editions paperback 1 18 17 used from 1 18 there is a newer edition of this item taking sides clashing views on psychological issues 40 07 5 only 1 left in stock order soon

**taking sides clashing views on legal issues edition 17** - May 30 2023

web jul 7 2015 no john elwood et al from brief for the petitioner arizona v united states the taking sides collection on mcgraw hill create includes current controversial issues in a debate style forma designed to stimulate student

**taking sides clashing views in special education 7th edition** - Feb 12 2022

web minor scratches on cover

**taking sides clashing views on environmental issues** - Mar 16 2022

web mar 22 2017 thomas a easton mcgraw hill education mar 22 2017 science 336 pages the taking sides collection on mcgraw hill create includes current controversial issues in a debate style format

**taking sides clashing views on legal issues 17th edition** - Oct 03 2023

web jul 7 2015 the taking sides collection on mcgraw hill create includes current controversial issues in a debate style forma designed to stimulate student interest and develop critical thinking skills this collection contains a multitude of current and classic issues to enhance and customize your course

**editions of taking sides clashing views in united states history** - Jun 18 2022

web more details want to read rate this book 1 of 5 stars 2 of 5 stars 3 of 5 stars 4 of 5 stars 5 of 5 stars taking sides clashing views in united states history volume 1 the colonial period to reconstruction 15th edition kindle edition published july 1st 2012 by mcgraw hill dushkin 15 kindle edition 464 pages more details want to read

**taking sides by mcgraw hill education open library** - Nov 23 2022

web aug 17 2020 availability 1 taking sides clashing views on economic issues 2018 mcgraw hill education in english 1259672476 9781259672477 aaaa not in library libraries near you worldcat

**taking sides clashing views 17th edition pdf** - Dec 25 2022

web oct 23 2023 taking sides clashing views 17th edition teenagers literacy and school ken cruickshank 2006 09 27 this unique and timely book follows the experiences of four arabic teenagers their families and their community focusing on the role of literacy in their daily lives and the differences between home and school the

**taking sides clashing views on environmental issues 17th edition** - Mar 28 2023

web mar 22 2017 rent taking sides clashing views on environmental issues 17th edition 978 1259853357 today or search our site for other textbooks by thomas easton every textbook comes with a 21 day any reason guarantee published by

*taking sides clashing views on educational issues expanded edition* - Feb 24 2023

web jun 24 2011 taking sides volumes present current controversial issues in a debate style format designed to stimulate student interest and develop critical thinking skills each issue is thoughtfully framed with an issue summary an issue introduction and a postscript or challenge questions taking sides readers feature an annotated listing of selected

**taking sides clashing views 17th edition copy** - Apr 16 2022

web taking sides clashing views 17th edition taking sides clashing views on psychological issues mar 05 2023 web by requiring students to analyze contradictory positions and reach considered judgments taking sides actively develops students critical thinking skills it is this development of critical thinking skills that is the ultimate

taking sides clashing views in adolescence archive org - Sep 21 2022

web may 29 2022 english xxxviii 437 pages 24 cm from the back cover taking sides volumes present current controversial issues in a debate style format designed to stimulate student interest and develop critical thinking skills the readings reflect opposing positions and have been selected for their liveliness and substance

**taking sides clashing views 17th edition** - Jul 20 2022

web of this taking sides clashing views 17th edition by online you might not require more period to spend to go to the ebook initiation as with ease as search for them in some cases you likewise pull off not discover the broadcast taking sides clashing views 17th edition that you are looking for it will unconditionally squander the time

scholastic scope a complete multigenre language arts teaching - Dec 30 2022

web explore an issue interactive activities and lessons that are easy to share on any learning management system slideshows with audio and visual support to build knowledge and vocabulary digital and optional print magazines that grab your students attention differentiation tools including multiple reading levels so all students can access the

**answer keys scholastic** - Aug 06 2023

web answer keys you can find the answer key for all of the activities in every issue by clicking answer key at the top of the issue page you can also find answer keys for each individual article in your resources tab for interactive quizzes on google forms answer keys are already built in learn more about them here

*scholastic scope activity march 2014 answer key* - Jun 23 2022

web oct 30 2023 scholastic scope activity march 2014 answer key omb no 7120579534893 edited by cassidy kelley sugar in milk oup oxford spufford cunningly maps out a literary genre of his own freewheeling and fabulous the times london strange as it may seem the gray oppressive ussr was founded on a fairy

**scholastic scope activity answer key may 2014 uniport edu** - Apr 21 2022

web apr 29 2023 scholastic scope activity answer key may 2014 2 10 downloaded from uniport edu ng on april 29 2023 by

guest blueprint for action that builds on a unifying foundation of child development and early learning shared knowledge and competencies for care and education professionals and principles for effective professional learning

*scholastic scope activity answer key may 2014 uniport edu* - May 23 2022

web jun 26 2023 scholastic scope activity answer key may 2014 1 9 downloaded from uniport edu ng on june 26 2023 by guest scholastic scope activity answer key may 2014 when somebody should go to the books stores search establishment by shop shelf by shelf it is in point of fact problematic this is why we give the books compilations in

*scholastic scope magazine article may 2014 download pdf* - Mar 01 2023

web 2 scholastic scope magazine article may 2014 download 2023 01 17 scholastic scope the roachscholastic scope magazine article maywe ll send you updates on new digital features and tips here throughout the year check out the scope at home page for our favorite stories and tools to kick off your year may 2020 scholastic scopeyou are being

**scholastic scope answer key for may 2014 copy uniport edu** - Oct 28 2022

web may 17 2023 getting this info acquire the scholastic scope answer key for may 2014 associate that we have the funds for here and check out the link you could buy guide scholastic scope answer key for may 2014 or acquire it as soon as feasible you could quickly download this scholastic scope answer key for may 2014 after getting deal

**scholastic scope activity may 2014 answers pdf** - Jul 25 2022

web jun 21 2023 scholastic scope activity answer key may 2014 2022 web scholastic scope activity answer key may 2014 3 3 financeactiviti es that require concentration and attention eg scholastic work should be supported as key elements of sport the consensus panellists recognise that research is needed across a range of consensus statement on

*answer keys scholastic* - Sep 07 2023

web looking for answers on each issue page and article page you can now download answer keys hidden from your students issue archive looking for scope s answer keys

*scholastic scope answer key may 2014 pdf* - Apr 02 2023

web may 6 2023 scholastic scope answer key may 2014 cambridge igcse economics 0455 22 mark scheme may jun 2014 feb 20 2022 web may 2014 travel events calendar from around the world showcasing travel in the pacific reported an uptick in activity how do i get a replacement key ford motor company sep 17 2021

*scholastic scope answer key for may 2014 pdf uniport edu* - Jan 31 2023

web may 29 2023 getting this info get the scholastic scope answer key for may 2014 associate that we come up with the money for here and check out the link you could purchase guide scholastic scope answer key for may 2014 or acquire it as soon as feasible you could quickly download this scholastic scope answer key for may 2014

**scholastic scope activity answer key february 2014** - Feb 17 2022

web scholastic scope activity answer key february 2014 scholastic scope activity answer key february 2014 in the trajectory of them is this scholastic scope activity

*archived issues scholastic* - Oct 08 2023

web may 2014 activity sheets lesson plans answer keys april 2014 activity sheets lesson plans answer keys march 2014 activity sheets lesson plans answer keys february 2014 activity sheets lesson plans answer keys january 2014 activity sheets lesson plans answer keys december 2013 activity sheets lesson plans

scholastic scope activity may 2014 answers - Aug 26 2022

web it is your no question own period to appear in reviewing habit in the course of guides you could enjoy now is scholastic scope activity may 2014 answers below science and human behavior b f skinner 2012 12 18 the psychology classic a detailed study of scientific theories of human nature and the possible ways in which

**scholastic scope may 2014 answer key 2023 stage gapinc** - Sep 26 2022

web 2 scholastic scope may 2014 answer key 2022 03 28 chapter 6 creating curricular assessments discusses the process of designing a standards based curriculum by developing goals that are based on a sound philosophy explores assessment and the importance of documenting students progress toward the standard examines how

**may 2020 scholastic** - Mar 21 2022

web folktale conquering fear 06 00 activities for the may 2020 issue of scope

**scholastic scope magazine may 2014 answers pdf** - Jun 04 2023

web scholastic scope magazine may 2014 answers 1 scholastic scope magazine may 2014 answers scholastic news magazine issue archive scholastic news answer keys scholastic scholastic scope by nonfiction thirst i the language arts magazine activity grammar gets to work view all magazines scholastic

scholastic scope may 2014 answer key book creanovation - Jul 05 2023

web scholastic scope may 2014 answer key a literary masterpiece penned by way of a renowned author readers attempt a transformative journey unlocking the secrets and untapped potential embedded within each word

**scholastic scope activity answer key may 2014 pdf uniport edu** - Nov 28 2022

web jun 15 2023 scholastic scope activity answer key may 2014 1 9 downloaded from uniport edu ng on june 15 2023 by guest scholastic scope activity answer key may 2014 getting the books scholastic scope activity answer key may 2014 now is not type of inspiring means you could not unaided going when book hoard or library or borrowing

**scholastic scope may 2014 answer key pdf uniport edu** - May 03 2023

web sep 14 2023 scholastic scope may 2014 answer key 1 12 downloaded from uniport edu ng on september 14 2023 by guest scholastic scope may 2014 answer key getting the books scholastic scope may 2014 answer key now is not type of

challenging means you could not abandoned going in the same way as book amassing or library or

[cyrus le grand 580 av j c 530 av j c herodote net](#) - Dec 27 2021

web le premier roi des rois en s emparant de la prestigieuse babylone en 539 av j c cyrus ii le grand roi des perses et des mèdes fonde le premier empire à vocation universelle de l histoire humaine vingt ans plus tôt il n était encore qu un roitelet perse établi sur les plateaux iraniens et il devait allégeance à son voisin

[adolphe cra c mieux 1796 1880 pdf uniport edu](#) - Apr 30 2022

web feb 19 2023 adolphe cra c mieux 1796 1880 1 7 downloaded from uniport edu ng on february 19 2023 by guest adolphe cra c mieux 1796 1880 as recognized adventure as capably as experience very nearly lesson amusement as with ease as harmony can be gotten by just checking out a ebook adolphe cra c mieux 1796 1880 with it is not directly

**adolphe cra c mieux 1796 1880 jmseniorliving** - Oct 05 2022

web adolphe cra c mieux 1796 1880 3 3 private and public history in this first english translation of paratexts gérard genette shows how the special pragmatic status of paratextual declaration requires a carefully calibrated analysis of their illocutionary force with clarity precision and an extraordinary range of reference paratexts constitutes

**free adolphe cra c mieux 1796 1880** - Dec 07 2022

web adolphe cra c mieux 1796 1880 journal of american folklore dec 05 2019 oeuvres complètes de m eugène scribe jun 10 2020 boyer s royal dictionary abridged mar 20 2021 cric crac nov 27 2021 extrait un bâtiment anglais chargé de gros vin de porto se perdit vers la fin de la dernière

**adolphe crémieux 1796 1880 open library** - May 12 2023

web adolphe crémieux 1796 1880 8 works search for books with subject adolphe crémieux 1796 1880 search adolphe cre mieux daniel amson not in library adolphe crémieux daniel amson not in library Ḥaye karmiyah joel elk not in library adolphe cre mieux 1796 1880 s posener not in library read adolphe crémieux s v pozner not in

**adolphe crémieux 1796 1880 2003 edition open library** - Jun 13 2023

web adolphe crémieux 1796 1880 le grand maître du rite écossais l avocat et l homme politique le président de l alliance israélite universelle by andré combes

**adolphe crémieux wikipedia** - Aug 15 2023

web isaac jacob adolphe crémieux french adolf kxɛmjø 30 april 1796 10 february 1880 was a french lawyer and politician who served as minister of justice under the second republic 1848 and government of national defense 1870 1871

**adolphe crémieux 1796 1880 by andré combes** - Jul 02 2022

web juives 1880 volume 68 adam babylonia the hideous big cheese of jewry 150 years ago adolphe programme pdf free download alldokument com adolphe crémieux 1796 1880 fut un des plus brillants avocats de sa génération évoluant du

monarchisme libéral au républicanisme le plus ardent député orléaniste de gauche

[adolphe cre mieux 1796 1880 by s posener open library](#) - Apr 11 2023

web adolphe cre mieux 1796 1880 by s posener 1933 librairie fe lix alcan edition in french français

[adolphe crémieux 1796 1880 by andré combes](#) - Mar 30 2022

web adolphe crémieux 1796 1880 by andré combes mieux hananeel czynski jan jean full text of annuaire club alpin franais 1880 programme pdf free antique french century fabric c 1880 indien a wonderful antique french printed textile c 1880 this panel is made using an embroidered look pattern printed cotton this curtain was designed to

[adolphe crémieux 1796 1880 by andré combes secure4 khronos](#) - Aug 03 2022

web jun 15 2023 adolphe crémieux 1796 1880 fut un des plus brillants avocats de sa génération évoluant du monarchisme libéral au républicanisme le plus ardent député orléaniste de gauche en 1842

**adolphe cra c mieux 1796 1880 john denison champlin copy** - Jun 01 2022

web jan 11 2023 4728788 adolphe cra c mieux 1796 1880 2 6 downloaded from knockinc com on by guest hundreds of four foot tall architectural fantasies in sugar the first police detective whose memoirs inspired the invention of the detective story a violinist who played whole pieces on a single string he examines these

**adolphe cra c mieux 1796 1880 doblespacio uchile** - Sep 04 2022

web the expense of adolphe cra c mieux 1796 1880 and numerous book collections from fictions to scientific research in any way in the midst of them is this adolphe cra c mieux 1796 1880 that can be your partner adolphe cra c mieux 1796 1880 downloaded from doblespacio uchile cl by guest cullen dillon bibliography of the eskimo

**adolphe crémieux 1796 1880 by andré combes splendor bcca** - Jan 08 2023

web adolphe crémieux 1796 1880 fut un des plus brillants avocats de sa génération évoluant du monarchisme libéral au républicanisme le plus ardent député orléaniste de gauche en 1842 ministre républicain de la justice en 1848 il a été à

**100 yıl Çarşısı vikipedi** - Feb 26 2022

web 100 yıl Çarşısı ve büro binaları ankara nın altındağ ilçesinin ulus semtinde bulunan 1967 1981 tarihleri arasında inşa edilmiş çok katlı alışveriş ve ofis kompleksi atatürk bulvarı ile cumhuriyet caddesi nin köşesinde yer alır anafartalar Çarşısı ve ulus İş hanı ile birlikte ulus meydanı nın çevresine inşa edilen üçüncü modernist çarşı ve ofis

**adolphe crémieux 1796 1880 data bnf fr** - Jul 14 2023

web documents about adolphe crémieux 1796 1880 35 resources in data bnf fr books 17 adolphe crémieux 1796 1880 2014 andré combes paris Éd maçonniques de france mes cahiers de lecture dl 2014 adolphe crémieux 1796 1880 2013 andré combes paris Éd maçonniques de france dl 2013 le grand architecte de l univers

**adolphe crémieux 1796 1880 in searchworks catalog** - Nov 06 2022

web select search scope currently catalog all catalog articles website more in one search catalog books media more in the stanford libraries collections articles journal articles other e resources

*crémieux adolphe 1796 1880 worldcat identities* - Mar 10 2023

web adolphe crémieux 1796 1880 le grand maître du rite écossais l avocat et l homme politique le président de l alliance israélite universelle by andré combes book Ḥaye kremyeh by joel elk book

cyrus le grand roi des perses et des mèdes - Jan 28 2022

web cyrus le grand roi des perses et des mèdes env 559 env 530 av j c fondateur proprement dit de l empire perse des achéménides du nom d achéménès ancêtre éponyme de la dynastie dont l histoire ne sait plus rien selon héraclote cyrus petit fils d astyage roi des mèdes fut

*category adolphe crémieux wikimedia commons* - Feb 09 2023

web 30 april 1796 nîmes isaac jacob crémieux date of death 10 february 1880 paris place of burial