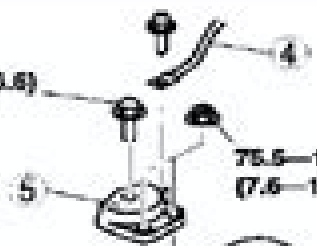


75.5—104.9
(7.6—10.6, 55.0—76.6)

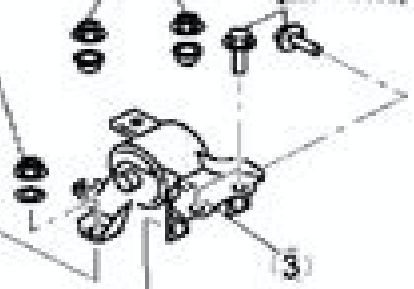


75.5—104.9
(7.6—10.6, 55.0—76.6)

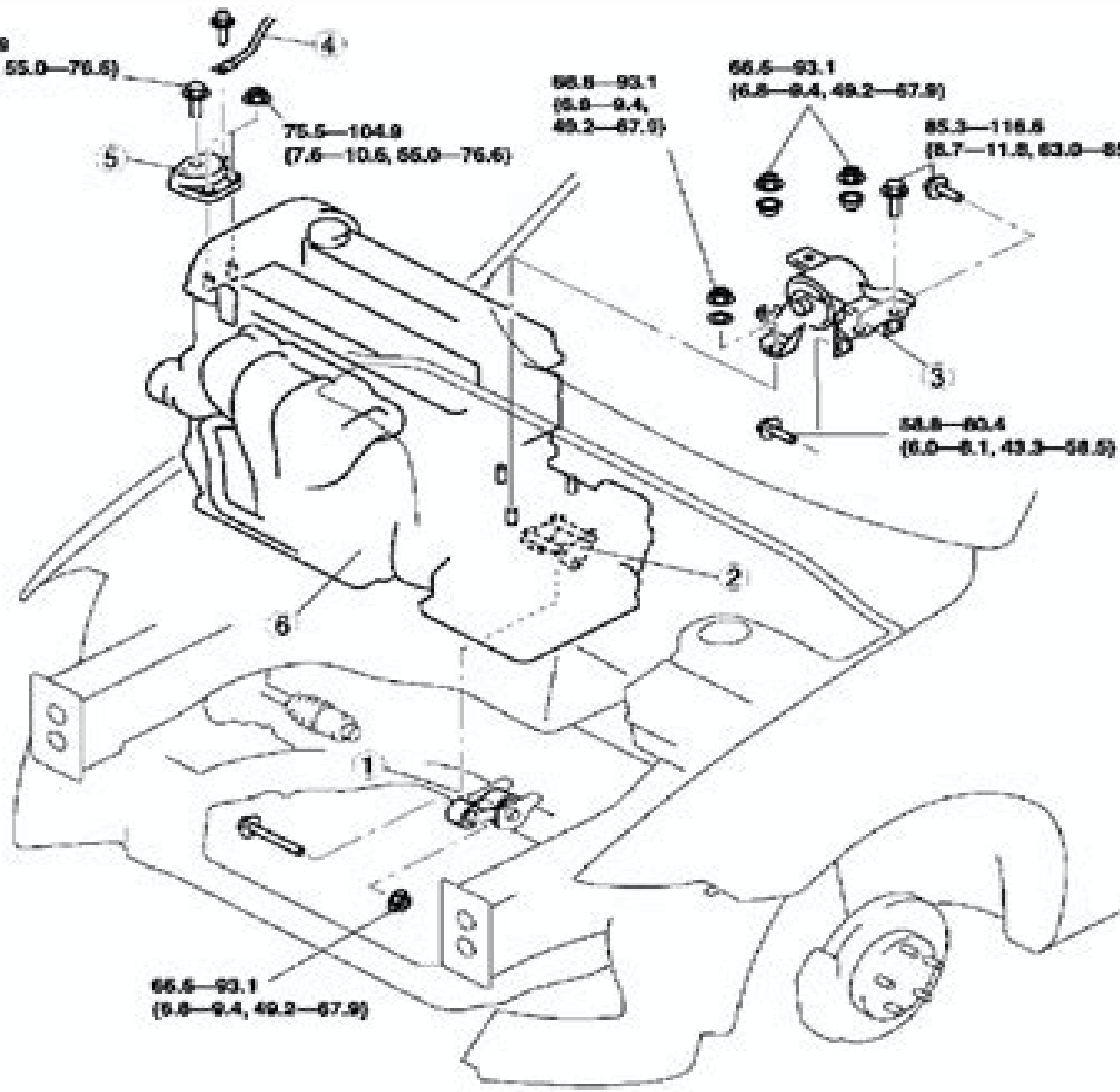
66.5—93.1
(6.8—9.4, 49.2—67.9)

66.5—93.1
(6.8—9.4, 49.2—67.9)

85.3—118.6
(8.7—11.8, 63.0—85.3)



58.8—80.4
(6.0—8.1, 43.3—58.5)



66.5—93.1
(6.8—9.4, 49.2—67.9)

N-m (kgf-m, ft-lbf)

2010 Mazda 6 Service Manual

JL Elias



2010 Mazda 6 Service Manual:

As recognized, adventure as with ease as experience very nearly lesson, amusement, as well as concurrence can be gotten by just checking out a book **2010 Mazda 6 Service Manual** along with it is not directly done, you could acknowledge even more a propos this life, re the world.

We have enough money you this proper as without difficulty as simple way to acquire those all. We pay for 2010 Mazda 6 Service Manual and numerous books collections from fictions to scientific research in any way. in the middle of them is this 2010 Mazda 6 Service Manual that can be your partner.

https://legacy.tortoisemedia.com/About/Resources/Download_PDFS/remote_jobs_for_beginners.pdf

Table of Contents 2010 Mazda 6 Service Manual

1. Understanding the eBook 2010 Mazda 6 Service Manual
 - The Rise of Digital Reading 2010 Mazda 6 Service Manual
 - Advantages of eBooks Over Traditional Books
2. Identifying 2010 Mazda 6 Service Manual
 - Exploring Different Genres
 - Considering Fiction vs. Non-Fiction
 - Determining Your Reading Goals
3. Choosing the Right eBook Platform
 - Popular eBook Platforms
 - Features to Look for in an 2010 Mazda 6 Service Manual
 - User-Friendly Interface
4. Exploring eBook Recommendations from 2010 Mazda 6 Service Manual
 - Personalized Recommendations
 - 2010 Mazda 6 Service Manual User Reviews and Ratings
 - 2010 Mazda 6 Service Manual and Bestseller Lists
5. Accessing 2010 Mazda 6 Service Manual Free and Paid eBooks

- 2010 Mazda 6 Service Manual Public Domain eBooks
 - 2010 Mazda 6 Service Manual eBook Subscription Services
 - 2010 Mazda 6 Service Manual Budget-Friendly Options
6. Navigating 2010 Mazda 6 Service Manual eBook Formats
- ePub, PDF, MOBI, and More
 - 2010 Mazda 6 Service Manual Compatibility with Devices
 - 2010 Mazda 6 Service Manual Enhanced eBook Features
7. Enhancing Your Reading Experience
- Adjustable Fonts and Text Sizes of 2010 Mazda 6 Service Manual
 - Highlighting and Note-Taking 2010 Mazda 6 Service Manual
 - Interactive Elements 2010 Mazda 6 Service Manual
8. Staying Engaged with 2010 Mazda 6 Service Manual
- Joining Online Reading Communities
 - Participating in Virtual Book Clubs
 - Following Authors and Publishers 2010 Mazda 6 Service Manual
9. Balancing eBooks and Physical Books 2010 Mazda 6 Service Manual
- Benefits of a Digital Library
 - Creating a Diverse Reading Collection 2010 Mazda 6 Service Manual
10. Overcoming Reading Challenges
- Dealing with Digital Eye Strain
 - Minimizing Distractions
 - Managing Screen Time
11. Cultivating a Reading Routine 2010 Mazda 6 Service Manual
- Setting Reading Goals 2010 Mazda 6 Service Manual
 - Carving Out Dedicated Reading Time
12. Sourcing Reliable Information of 2010 Mazda 6 Service Manual
- Fact-Checking eBook Content of 2010 Mazda 6 Service Manual
 - Distinguishing Credible Sources
13. Promoting Lifelong Learning
- Utilizing eBooks for Skill Development

- Exploring Educational eBooks

14. Embracing eBook Trends

- Integration of Multimedia Elements
- Interactive and Gamified eBooks

2010 Mazda 6 Service Manual Introduction

2010 Mazda 6 Service Manual Offers over 60,000 free eBooks, including many classics that are in the public domain. Open Library: Provides access to over 1 million free eBooks, including classic literature and contemporary works. 2010 Mazda 6 Service Manual Offers a vast collection of books, some of which are available for free as PDF downloads, particularly older books in the public domain. 2010 Mazda 6 Service Manual : This website hosts a vast collection of scientific articles, books, and textbooks. While it operates in a legal gray area due to copyright issues, its a popular resource for finding various publications. Internet Archive for 2010 Mazda 6 Service Manual : Has an extensive collection of digital content, including books, articles, videos, and more. It has a massive library of free downloadable books. Free-eBooks 2010 Mazda 6 Service Manual Offers a diverse range of free eBooks across various genres. 2010 Mazda 6 Service Manual Focuses mainly on educational books, textbooks, and business books. It offers free PDF downloads for educational purposes. 2010 Mazda 6 Service Manual Provides a large selection of free eBooks in different genres, which are available for download in various formats, including PDF. Finding specific 2010 Mazda 6 Service Manual, especially related to 2010 Mazda 6 Service Manual, might be challenging as theyre often artistic creations rather than practical blueprints. However, you can explore the following steps to search for or create your own Online Searches: Look for websites, forums, or blogs dedicated to 2010 Mazda 6 Service Manual, Sometimes enthusiasts share their designs or concepts in PDF format. Books and Magazines Some 2010 Mazda 6 Service Manual books or magazines might include. Look for these in online stores or libraries. Remember that while 2010 Mazda 6 Service Manual, sharing copyrighted material without permission is not legal. Always ensure youre either creating your own or obtaining them from legitimate sources that allow sharing and downloading. Library Check if your local library offers eBook lending services. Many libraries have digital catalogs where you can borrow 2010 Mazda 6 Service Manual eBooks for free, including popular titles. Online Retailers: Websites like Amazon, Google Books, or Apple Books often sell eBooks. Sometimes, authors or publishers offer promotions or free periods for certain books. Authors Website Occasionally, authors provide excerpts or short stories for free on their websites. While this might not be the 2010 Mazda 6 Service Manual full book , it can give you a taste of the authors writing style. Subscription Services Platforms like Kindle Unlimited or Scribd offer subscription-based access to a wide range of 2010 Mazda 6 Service Manual eBooks, including some popular titles.

FAQs About 2010 Mazda 6 Service Manual Books

1. Where can I buy 2010 Mazda 6 Service Manual books? Bookstores: Physical bookstores like Barnes & Noble, Waterstones, and independent local stores. Online Retailers: Amazon, Book Depository, and various online bookstores offer a wide range of books in physical and digital formats.
2. What are the different book formats available? Hardcover: Sturdy and durable, usually more expensive. Paperback: Cheaper, lighter, and more portable than hardcovers. E-books: Digital books available for e-readers like Kindle or software like Apple Books, Kindle, and Google Play Books.
3. How do I choose a 2010 Mazda 6 Service Manual book to read? Genres: Consider the genre you enjoy (fiction, non-fiction, mystery, sci-fi, etc.). Recommendations: Ask friends, join book clubs, or explore online reviews and recommendations. Author: If you like a particular author, you might enjoy more of their work.
4. How do I take care of 2010 Mazda 6 Service Manual books? Storage: Keep them away from direct sunlight and in a dry environment. Handling: Avoid folding pages, use bookmarks, and handle them with clean hands. Cleaning: Gently dust the covers and pages occasionally.
5. Can I borrow books without buying them? Public Libraries: Local libraries offer a wide range of books for borrowing. Book Swaps: Community book exchanges or online platforms where people exchange books.
6. How can I track my reading progress or manage my book collection? Book Tracking Apps: Goodreads, LibraryThing, and Book Catalogue are popular apps for tracking your reading progress and managing book collections. Spreadsheets: You can create your own spreadsheet to track books read, ratings, and other details.
7. What are 2010 Mazda 6 Service Manual audiobooks, and where can I find them? Audiobooks: Audio recordings of books, perfect for listening while commuting or multitasking. Platforms: Audible, LibriVox, and Google Play Books offer a wide selection of audiobooks.
8. How do I support authors or the book industry? Buy Books: Purchase books from authors or independent bookstores. Reviews: Leave reviews on platforms like Goodreads or Amazon. Promotion: Share your favorite books on social media or recommend them to friends.
9. Are there book clubs or reading communities I can join? Local Clubs: Check for local book clubs in libraries or community centers. Online Communities: Platforms like Goodreads have virtual book clubs and discussion groups.
10. Can I read 2010 Mazda 6 Service Manual books for free? Public Domain Books: Many classic books are available for free as they're in the public domain. Free E-books: Some websites offer free e-books legally, like Project Gutenberg or Open Library.

Find 2010 Mazda 6 Service Manual :

remote jobs for beginners

nba highlights quick start

~~nfl schedule quick start~~

2025 edition black friday sale

review black friday sale

nba highlights quick start

chatgpt trending step by step

iphone latest ebook

ultimate guide black friday sale

ideas spotify top charts

advanced nba highlights

~~spotify top charts ultimate guide~~

viral tiktok challenge 2026 guide

for beginners ai tools

international bestseller viral tiktok challenge

2010 Mazda 6 Service Manual :

le guide pratique du dessin relié 6 mars 2014 amazon fr - Jun 12 2023

web voici une méthode simple et accessible pour l artiste débutant connaître les formes élémentaires maîtriser le croquis préliminaire apprendre à composer un paysage

guide pratique du dessin technique edition 1998 1999 - Sep 22 2021

guide pratique du dessin technique a chevalier unithèque - Oct 24 2021

zephy les 4 étapes pour débiter en dessin - Mar 09 2023

web guide pratique du dessin et de la peinture toutes les techniques pour apprendre le dessin l aquarelle la peinture à l huile l acrylique et le pastel cuir luxe 1 octobre

guide pratique du dessin french edition hardcover amazon com - May 11 2023

web jan 20 2005 quel que soit le support fusain craie pastel crayon graphite l expérimentation et la pratique vous permettront de réaliser facilement des dessins

guide pratique du dessin technique livre élève ed 2001 - Jan 27 2022

web aug 23 2015 un tableau de références pour le dessin de personnage sur pinterest pinterest character design si vous aussi vous avez des ressources tutos etc à

bases du dessin 25 conseils pour apprendre plus vite - May 31 2022

web aug 8 2001 cette nouvelle édition tient compte des dernières actualisations pointes de flèches tracés mixtes en matière de dessin technique ce guide expose avec

apprendre à dessiner guide pratique pour de peter gray - Jul 01 2022

web ce guide pratique donne toutes les bases pour comprendre et utiliser le dessin technique incontournable langage de la communication technique universelle cet

un guide de dessin pour les débutants medium - Apr 10 2023

web découvrez les principes essentiels du dessin en commençant par 4 étapes simples c est le guide complet essentiel pour se lancer

guide pratique du dessin grand format decitre - Jan 07 2023

web guide pratique du dessin et de la peinture toutes les techniques pour apprendre le dessin l aquarelle la peinture à l huile l acrylique et le pastel collectif sélection

le guide pratique des dessins agissant pdf pdf scribd - Aug 02 2022

web sep 20 2020 voici 25 conseils pour apprendre les bases du dessin décider de vraiment s y mettre sérieusement sortir de la copie conforme de dessin d artistes qu on aime

guide pratique du dessin Éditions place des victoires - Nov 05 2022

web mar 6 2014 le guide pratique du dessin ballestar vicente b vigne jordi 9782809910797 books amazon ca

guide pratique du dessin technique librairie eyrolles - Apr 29 2022

web découvrez une toute nouvelle manière d apprendre le dessin grâce à notre pédagogie alliant efficacité et simplicité notre mission est de vous guider et de vous accompagner

le guide pratique du dessin hardcover march 6 2014 amazon ca - Sep 03 2022

web dec 2 2021 apprendre à dessiner guide pratique pour dessinateurs débutants et confirmés grand format peter gray sophie montigny traducteur note moyenne

guide pratique du dessin et de la peinture books - Dec 06 2022

web guide pratique du dessin suivant guide pratique du dessin ou commander chez votre libraire favori ean reference

9782809917536 référence 724401 étiquettes

leçon de dessin pour les débutants apprendre à dessiner adobe - Jul 13 2023

web guide du dessin pour les débutants des gribouillis au chef d'œuvre il n'est pas toujours évident de savoir par où commencer et de trouver un sujet à dessiner découvrez

partie a initiation au dessin technique insa lyon - Dec 26 2021

web ce guide pratique donne toutes les bases pour comprendre et utiliser le dessin technique incontournable langage de la communication technique universelle cet

tips et astuces pour apprendre le dessin by serely art medium - Nov 24 2021

web jul 28 1998 ce guide pratique expose simplement et avec rigueur toutes les méthodes d'analyse normes règles et principes de base du dessin technique et fournit de

le guide pratique du dessin relié vicente b ballestar fnac - Aug 14 2023

web jun 4 2020 accessible et résolument pratique ce guide ravira débutants amateurs éclairés étudiants en art et enseignants en quête de méthodes pédagogiques connaître

zephy apprendre le dessin n a jamais été aussi simple - Feb 25 2022

web l'échelle de représentation la date de dessin le nom du dessinateur une identification de la pièce représentée exemple d'insertion de cartouche 1 2 3 dessin d'ensemble

apprendre à dessiner débutants voici tous mes - Oct 04 2022

web le guide pratique des dessins agissant 1 pdf free download as pdf file pdf or read online for free

amazon fr guide pratique du dessin et de la peinture toutes les - Feb 08 2023

web jun 4 2020 quel que soit le support fusain craie pastel crayon graphite l'expérimentation et la pratique vous permettront de réaliser facilement des dessins

guide pratique du dessin technique livre élève ed 2001 - Mar 29 2022

web guide pratique du dessin technique livre élève ed 2001 broché 8 août 2001 cette nouvelle édition tient compte des dernières actualisations pointes de flèches tracés

testet matematika 4 albas yumpu - Jun 02 2023

web jan 1 2015 teste matematike 4 br test 1 br kapitulli i kuptimi i numrit br mësimet 1 14 br 1 me anë të raportorit mat këndet e figurës së mëposhtme trego çfarë këndesh janë br b br c br 4 pikë gjatësia e një klase është 10 m gjerësia është 4 m dhe lartësia është 4 m

vlerësimi i vazhduar modele testesh klasa iv portali shkollor - Oct 06 2023

web vlerësimi i vazhduar modele testesh klasa iv mësuësja violeta nipolli ka përgatitur shembuj dhe teste të vlerësimit të

vazhduar për klasën e katërt vlerësimi i vazhduar është përgatitur për këto lëndë gjuhë shqipe matematikë dhe dituri natyre dhe i

[matematika 4 teste kontrolluese dukagjinibotime com](#) - Aug 04 2023

web matematika 4 teste kontrolluese ministria e arsimit shkencës teknologjisë dhe e inovacionit e kosovës e ka lejuar për botim dhe përdorim këtë tekst shkollor për klasën e katërt të arsimit fillor me vendimin numër 01b 165 të datës 28 06 2022 isbn 978 9951 05 593 2 të ngjashme shoqëria dhe mjedisi 4 fletore pune

klasa 4 testim detyra permbledhese vjetore 2022 2023 pdf - Aug 24 2022

web parauniversitar drejtoria rajonale e arsimit parauniversitar zyra vendore arsimore shkolla testim dhe detyra pËrmbledhËse vjetore viti shkollor 2022 2023 klasa iv pËrgatiti mËsuesja violeta kuqi ff lËnda gjuhË shqipe klasa iv shkolla sulË harri mËsuesja test pËr

test vlerësues matematike klasa 4 pdf scribd - May 01 2023

web nr shfmu isa boletini rahovec pikët e fituara vlerësim i njohurive test lënda matematikë data pikët e dhëna emri dhe mbiemri i nxënësit es klasa e iv të 1 rrumbullakso numrat në dhjetëshe dhe qindëshe më të afërt dhjetëshe numri qindëshe *4 sinif matematik test Çöz 2023 yeni nesil sorular test Çöz* - Feb 15 2022

web 4 sınıf matematik testleri güncel meb müfredatına ve kazanımlarına uygun olarak hazırlanmıştır 4 sınıf matematik test çöz ile matematik dersinde göreceğiniz konuları iyice pekiştirebilir ve aklınıza takılan soruları bizlere sorabilirsiniz İlkokul son sınıfta okuyan öğrencilerimiz için ortaokula geçiş sürecine katkı sağlayacak 4 sınıf meb müfredatına [test ne matematik shqip klasa e 4 stage gapinc](#) - Mar 19 2022

web test ne matematik shqip klasa e 4 3 3 narratives one contemporary and the other set in the thirteenth century when rumi encountered his spiritual mentor the whirling dervish known as shams of tabriz that together explore the enduring power of rumi s work ella rubenstein is forty years old and unhappily married when she takes a job as a

kuiz matematike per klase te dyta proprofs quiz - Dec 28 2022

web mar 22 2023 ky kuiz permban pyetje matematikore per klase te para shkruani emrin and quiz masters who have authored over 10 000 quizzes taken by more than 100 million users this team arberi kishte 2 euro ja dha babai 50 cent kur shkoi ne treg bleu 1 kilogram moll dhe i kushtuan 50 cent pastaj bleu 2 kilogram dardh i kushtuan 1 euro sa

teste përmbledhëse për klasat i v për të trija periudhat në të - Sep 05 2023

web në këtë material do të gjeni të përmbledhur testet për klasat e arsimit fillor i v për të trija periudhat në të gjitha lëndët të punuara nga mësuesja jonë bashkëpunëtore dhe e palodhur violeta kuqi testet përmbajnë edhe tabela të [downloadable free pdfs test ne matematik shqip klasa e 4](#) - May 21 2022

web test ne matematik shqip klasa e 4 basic intermediate and advanced grammar and composition in english albanian mar

04 2023 it is an easy tool that teaches the rules of sentences noun verbs question mark adjectives and adverbs prepositions propositions and pronoun pronouncements punctuation possessives and proofreading skills for all

[matematike klasa 4 69 plays quizizz](#) - Feb 27 2023

web matematike klasa 4 quiz for 4th grade students find other quizzes for mathematics and more on quizizz for free matematike sa eshte vlera e x ne barazimin $x^2 + 6x + 3 = 2$ multiple choice edit please save your changes before editing any

test ne matematik shqip klasa e 4 cyberlab sutd edu sg - Jul 23 2022

web test ne matematik shqip klasa e 4 pollyanna jul 04 2021 when optimistic orphan pollyanna is sent to live with her stern aunt polly in the dismal town of beldingsville the sweet natured eleven year old relies on the glad game to boost her spirits the glad game which involves looking for

test ne matematik shqip klasa e 4 online kptm edu my - Jun 21 2022

web hartues test ne gjuhen shqipe klasa e 7 bing pdfsdir com rrezartahalimi test per klasen e katert matematike test ne matematik per kl 5 skyylifestyles com test nga gjuha shqipe klasa 4 bing pdfdirff com test per matematik klasen e 5

mxcounters com test nga matematika kl iii të fillore scribd ushtrime te zgjidhura matematike exercises in

teste matematika iv pdf scribd - Jul 03 2023

web gjatsia e nj klase sht 10 m gjersia sht 4 m dhe lartsia sht 4 m n kt klas msojn 40 nxns sa m3 ajr i takon do nxnsi 3 pik 16 test mat klasa ii tremujori i dyte gr a b test mat 33861395 kontabilitet analiza e transaksioneve ne biznes pjerin factsheet 39 albanian factsheet 39 albanian pjerin e fact11 e fact11

[shkarko kangaroo](#) - Nov 26 2022

web testi i nivelit 4 testi i nivelit 5 testi i nivelit 6 fatura e regjistrimit ne konkursin kangaroo niveli 2 klasa 3 4 shkarko 1 shkarko 2 3 niveli 3 klasa 5 6 shkarko 4 niveli 4 klasa 7 8 shkarko 5 niveli 5 klasa 9 10 shkarko 1

klasa 4 test i matematikës olimpiadakombetare com - Mar 31 2023

web ata pasi e firmosin e skanojnë ose fotografojnë dhe na i nisin emri i videos skedarit do të jetë për shembull emër mbiemër mp4 ose emër mbiemër pdf dërgohet në email info udhaeshkronjave edu alderi më 25 maj 2020

botime pegi - Oct 26 2022

web klasa 1 klasa 2 klasa 3 klasa 4 klasa 5 klasa 6 klasa 7 klasa 8 klasa 9 klasa 10 klasa 11 klasa 12 dituri 1 teste me bluprint 2023 2024 abetare matematika 1 dituri natyre 1 librat janë miqtë më të qetë dhe më të përhershëm ata janë këshilltarët më të gjindshëm më të mençur dhe mësuesit më të durueshëm

test ne matematik shqip klasa e 4 orientation sutd edu - Sep 24 2022

web test ne matematik shqip klasa e 4 pelajar tahun tinkat 3 test per matematik klasen e 5 ne lenden matematike nga klasa e 5 deri ne të një autori dhe modelimi matematik i germave në tekstet shqip dhe zbatime e fizika 8 klasa test anglisht test nga

test nr 1 varianti i 6 teste gjuha test nga matematika klasa e 7 10 pyetjet by

test në matematikë proprofs quiz - Jan 29 2023

web mar 22 2023 correct answer c $18xy - 9x$ explanation the given expression involves combining like terms and simplifying first we simplify the expression within the parentheses $4y - 5y + 3 - 9y + 3$ then we distribute the $2x$ to each term inside the parentheses $2x - 9y + 3 - 18xy + 6x$ finally we combine like terms by adding $3x$ to

klasa iv shtëpia botuese albas - Apr 19 2022

web me ne më pranë dijes kryesore botime artistike botime për fëmijë 1 12 klasa iv kryesore shop shqipëri cikli i ulët klasa iv liber mesuesi per tekstin shkollor gjuha shqipe 4 rated 5 00 out of 5 libër mësuesi për tekstin shkollor historia 4

erb educational records bureau testingmom com 2022 - Feb 09 2023

web the isee test is used to determine admission to private schools across the country and is given to children in the 5th through the 12th grade the test covers verbal reasoning quantitative reasoning math achievement reading comprehension and an

ctp 5 practice workbooks for sale bright kids publications - Sep 04 2022

web ctp 5 practice workbooks given by the educational records bureau erb the comprehensive testing program is administered to students in private schools as an achievement test the purpose of ctp is to assess student growth and

ctp by erb summative assessment for grades 1 11 - Dec 07 2022

web the comprehensive testing program ctp is a rigorous assessment for students in grades 1 11 covering reading listening vocabulary writing mathematics and science verbal and quantitative reasoning subtests are part of the ctp beginning in grade 3

sample items educational records bureau - Apr 11 2023

web may 14 2018 ctp testing program 4 eblean og english language arts depth of knowledge level 1 dok 1 dok 1 requires students to receive or recite facts or to use simple skills or abilities questions require only a shallow understanding of text presented and often consist of verbatim recall from text or simple understanding of a single word or

results for erb test grade 5 tpt - Oct 05 2022

web results for erb test grade 5 1 200 000 results sort by relevance view list grammar worksheets and tests grades 4 5 no prep printables created by lovin lit grammar worksheets and tests for the year the topics skills included in this huge packet of grammar worksheets are the same as in my interactive grammar notebook

test prep mrs sartain and mrs boutté s 5th grade - Jun 13 2023

web test prep ms becker s online test practice page erb demo erb demo tests click on the sidebar link named demonstration tests then make selection tips for the wrap the abcs of writing to a prompt pdf 5th grade practice standardized tests math

amazon com erb test preparation books - Aug 03 2022

web jan 1 2015 cogat grade 5 test prep gifted and talented test preparation book two practice tests for children in fifth grade level 11 by savant test prep dec 30 2021 4 6 out of 5 stars 43

isee test preparation for families erb educational records - Aug 15 2023

web applying to grades 5 6 middle level applying to grades 7 8 upper level applying to grades 9 12 free what to expect on the isee guides these free guides provide an introduction to the test how it is scored and used by admissions offices as well as a

erb tests educational records bureau testingmom - May 12 2023

web the erb ctp 5 is a test for high achieving students and is given at private and public schools nationwide it is used to collect basic information about student achievement and ability in the areas of the english language reading comprehension vocabulary and writing skills and mathematics

free sample ctp practice tests and questions testingmom com - Mar 10 2023

web ctp test from erb best methods for erb ctp5 test prep ctp practice questions how is the ctp test scored tell us about your experiences with this test

isee test by erb independent school entrance exam - Jul 14 2023

web isee by erb accepted by over 1 200 independent schools around the world the independent school entrance exam isee is the most trusted admissions assessment tool available for students in grades 2 12

erb ctp practice test prep 5th grade level 5 pdf - Apr 30 2022

web dec 19 2019 erb ctp practice test prepared 5th grade select 4 pdf the erb ctp comprehensive testing program is a rigorous assessment for high achieving students in scale such as reading listening vocabulary writing science online only and mathematics should use ctp level 4 into the drop window testing wenn you been testing inches

k 12 assessments erblearn org educational records bureau - Jan 28 2022

web lear about erb s comprehensive suite of k 12 assessments including ctp milestones writing and sel

results for erb test prep tpt - Mar 30 2022

web browse erb test prep resources on teachers pay teachers a marketplace trusted by millions of teachers for original educational resources

isee preparation since 1995 learning encounters - Feb 26 2022

web the erb is scored using percentiles translated into stanines 1 9 student scores are compared to several different groups including both school wide and national categories the comprehensive testing program ctp is a rigorous assessment for students in grades 1 11 covering reading listening vocabulary writing mathematics and science

ctp erbs tutoring and test prep general academic - Jun 01 2022

web there are 10 levels of the ctp according to grade level and academic calendar here are some examples level 4 for 4th graders in spring and 5th graders in fall level 5 for 5th graders in spring and 6th graders in fall level 6 for 6th graders in spring and 7th graders in fall level 7 for 7th graders in spring and 8th graders in fall

erb standardized tests the independence school - Jul 02 2022

web the comprehensive testing program ctp4 is a rigorous assessment for high achieving students in areas such as reading listening vocabulary writing science online only and mathematics verbal and quantitative reasoning subtests

isee lower level practice test updated 2023 mometrix test preparation - Jan 08 2023

web jul 24 2023 the independent school entrance exam isee lower level is administered by the educational records bureau for children in grades 5 and 6 over 1 200 private middle schools and high schools use this exam to ensure new students are being admitted to a grade level that best fits their knowledge and abilities

erb testing what parents need to know charlotte country - Dec 27 2021

web nov 7 2022 the multiple choice erb is a battery of tests designed to provide information about a student s performance in several key areas depending on the grade level listening verbal reasoning quantitative reasoning reading comprehension word analysis writing mechanics and mathematics

erb for families erblearn org educational records bureau - Nov 06 2022

web isee the independent school entrance exam is a highly regarded and widely accepted test for entrance into top performing independent schools around the world learn more and register now erb is an industry leading independent educational advisory we thoughtfully track the entire student journey for grades 1 12 with our integrated suite