

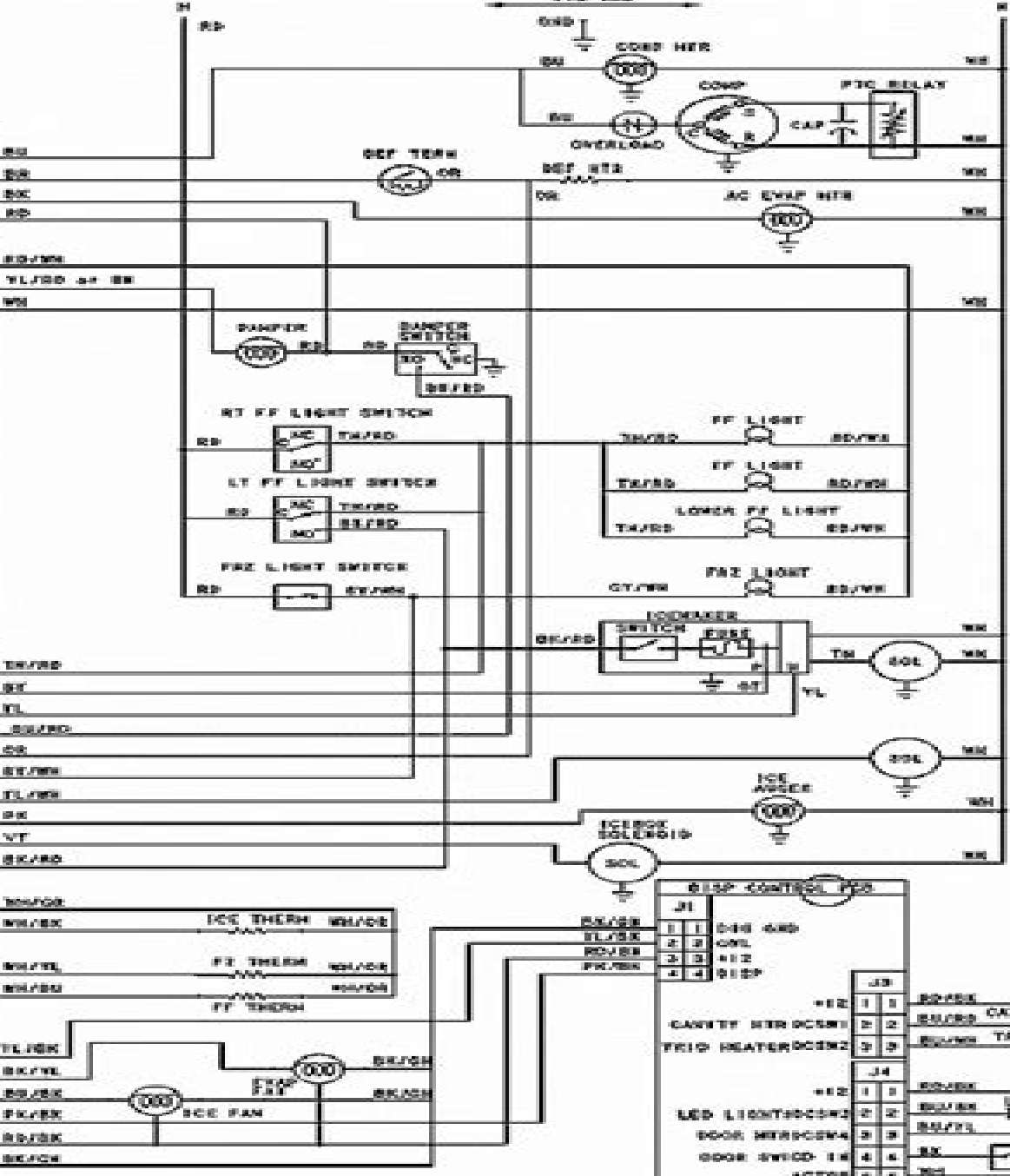
J8	
RT1 COMP	1 1
RT2 STAT	2 2
RT3 EVAP NTR	3 3
LIJACT ON	4 4
EMPTY	5 5
RT3 FF/FI LT	6 6
TR1 SVPR	7 7
L2 ON	8 8

ICELAND WATER CONTROL PCB

J6	
ACT FF LINE	1 1
ACT 22	2 2
ACT 23	3 3
ACT SVPR SW NO	4 4
ACT D-SEMS	5 5
ACT FZ LINE	6 6
RT3 DISP VLV	7 7
RT4 ICE ARMOR	8 8
RT5 ICEBOX SOL	9 9
ACT/INT	10 10

J3	
TR-ONS THERM SMO	3 3
TR4 ICE THERM	4 4
EMPTY	5 5
TR2 FZ THERM	2 2
TR1 FF THERM	1 1

J9	
CWL	8 8
DC1+ DC EVAP FAN	5 5
DC2+ DC ICE FAN	4 4
DISP	3 3
+12V	2 2
BOUGERONILE COBBS GND	1 1



DISP CONTROL PCB

J1	
DISP AND	1 1
OWL	2 2
A12	3 3
DISP	4 4

J2	
DISP	1 1
CAVITY NTR DCMS1	2 2
FZIC HEATER DCMS2	3 3

J4	
DISP	1 1
LED LIGHT DCMS3	2 2
DOOR NTR DCMS4	3 3
DOOR SWIC 14	4 4
ACTOR	5 5
MAIN ACT DEMACT	6 6

J3	
DISP	1 1
DISP CAVITY NTR	2 2
DISP TRIC NTR	3 3

J4	
DISP	1 1
DISP LED LTS	2 2
DISP DOOR SW	3 3
DISP DOOR SW	4 4
DISP DOOR SW	5 5
DISP DOOR SW	6 6

RE-ENTER GEAR BY CERTAIN MODELS ONLY

Amana Ptac Wiring Schematic

JS Bruner



Amana Ptac Wiring Schematic:

Thomas Register of American Manufacturers and Thomas Register Catalog File ,2002 Vols for 1970 71 includes manufacturers catalogs *Thomas Register of American Manufacturers* ,2002 This basic source for identification of U S manufacturers is arranged by product in a large multi volume set Includes Products services Company profiles and Catalog file **Schematic Wiring** Stanley H. Aglow,1991 *Schematic Wiring Simplified, Step-by-step* Stanley H. Aglow,1983-01-01

Ignite the flame of optimism with Get Inspired by is motivational masterpiece, **Amana Ptac Wiring Schematic** . In a downloadable PDF format (*), this ebook is a beacon of encouragement. Download now and let the words propel you towards a brighter, more motivated tomorrow.

<https://legacy.tortoisemedia.com/public/Resources/HomePages/For%20Beginners%20Sci%20fi%20Dystopia.pdf>

Table of Contents Amana Ptac Wiring Schematic

1. Understanding the eBook Amana Ptac Wiring Schematic
 - The Rise of Digital Reading Amana Ptac Wiring Schematic
 - Advantages of eBooks Over Traditional Books
2. Identifying Amana Ptac Wiring Schematic
 - Exploring Different Genres
 - Considering Fiction vs. Non-Fiction
 - Determining Your Reading Goals
3. Choosing the Right eBook Platform
 - Popular eBook Platforms
 - Features to Look for in an Amana Ptac Wiring Schematic
 - User-Friendly Interface
4. Exploring eBook Recommendations from Amana Ptac Wiring Schematic
 - Personalized Recommendations
 - Amana Ptac Wiring Schematic User Reviews and Ratings
 - Amana Ptac Wiring Schematic and Bestseller Lists
5. Accessing Amana Ptac Wiring Schematic Free and Paid eBooks
 - Amana Ptac Wiring Schematic Public Domain eBooks
 - Amana Ptac Wiring Schematic eBook Subscription Services
 - Amana Ptac Wiring Schematic Budget-Friendly Options
6. Navigating Amana Ptac Wiring Schematic eBook Formats

- ePub, PDF, MOBI, and More
 - Amana Ptac Wiring Schematic Compatibility with Devices
 - Amana Ptac Wiring Schematic Enhanced eBook Features
7. Enhancing Your Reading Experience
 - Adjustable Fonts and Text Sizes of Amana Ptac Wiring Schematic
 - Highlighting and Note-Taking Amana Ptac Wiring Schematic
 - Interactive Elements Amana Ptac Wiring Schematic
 8. Staying Engaged with Amana Ptac Wiring Schematic
 - Joining Online Reading Communities
 - Participating in Virtual Book Clubs
 - Following Authors and Publishers Amana Ptac Wiring Schematic
 9. Balancing eBooks and Physical Books Amana Ptac Wiring Schematic
 - Benefits of a Digital Library
 - Creating a Diverse Reading Collection Amana Ptac Wiring Schematic
 10. Overcoming Reading Challenges
 - Dealing with Digital Eye Strain
 - Minimizing Distractions
 - Managing Screen Time
 11. Cultivating a Reading Routine Amana Ptac Wiring Schematic
 - Setting Reading Goals Amana Ptac Wiring Schematic
 - Carving Out Dedicated Reading Time
 12. Sourcing Reliable Information of Amana Ptac Wiring Schematic
 - Fact-Checking eBook Content of Amana Ptac Wiring Schematic
 - Distinguishing Credible Sources
 13. Promoting Lifelong Learning
 - Utilizing eBooks for Skill Development
 - Exploring Educational eBooks
 14. Embracing eBook Trends
 - Integration of Multimedia Elements
 - Interactive and Gamified eBooks

Amana Ptac Wiring Schematic Introduction

In this digital age, the convenience of accessing information at our fingertips has become a necessity. Whether its research papers, eBooks, or user manuals, PDF files have become the preferred format for sharing and reading documents. However, the cost associated with purchasing PDF files can sometimes be a barrier for many individuals and organizations. Thankfully, there are numerous websites and platforms that allow users to download free PDF files legally. In this article, we will explore some of the best platforms to download free PDFs. One of the most popular platforms to download free PDF files is Project Gutenberg. This online library offers over 60,000 free eBooks that are in the public domain. From classic literature to historical documents, Project Gutenberg provides a wide range of PDF files that can be downloaded and enjoyed on various devices. The website is user-friendly and allows users to search for specific titles or browse through different categories. Another reliable platform for downloading Amana Ptac Wiring Schematic free PDF files is Open Library. With its vast collection of over 1 million eBooks, Open Library has something for every reader. The website offers a seamless experience by providing options to borrow or download PDF files. Users simply need to create a free account to access this treasure trove of knowledge. Open Library also allows users to contribute by uploading and sharing their own PDF files, making it a collaborative platform for book enthusiasts. For those interested in academic resources, there are websites dedicated to providing free PDFs of research papers and scientific articles. One such website is Academia.edu, which allows researchers and scholars to share their work with a global audience. Users can download PDF files of research papers, theses, and dissertations covering a wide range of subjects. Academia.edu also provides a platform for discussions and networking within the academic community. When it comes to downloading Amana Ptac Wiring Schematic free PDF files of magazines, brochures, and catalogs, Issuu is a popular choice. This digital publishing platform hosts a vast collection of publications from around the world. Users can search for specific titles or explore various categories and genres. Issuu offers a seamless reading experience with its user-friendly interface and allows users to download PDF files for offline reading. Apart from dedicated platforms, search engines also play a crucial role in finding free PDF files. Google, for instance, has an advanced search feature that allows users to filter results by file type. By specifying the file type as "PDF," users can find websites that offer free PDF downloads on a specific topic. While downloading Amana Ptac Wiring Schematic free PDF files is convenient, its important to note that copyright laws must be respected. Always ensure that the PDF files you download are legally available for free. Many authors and publishers voluntarily provide free PDF versions of their work, but its essential to be cautious and verify the authenticity of the source before downloading Amana Ptac Wiring Schematic. In conclusion, the internet offers numerous platforms and websites that allow users to download free PDF files legally. Whether its classic literature, research papers, or magazines, there is something for everyone. The platforms mentioned in this article, such as Project Gutenberg, Open Library, Academia.edu, and Issuu, provide access to a vast collection of PDF files. However, users

should always be cautious and verify the legality of the source before downloading Amana Ptac Wiring Schematic any PDF files. With these platforms, the world of PDF downloads is just a click away.

FAQs About Amana Ptac Wiring Schematic Books

1. Where can I buy Amana Ptac Wiring Schematic books? Bookstores: Physical bookstores like Barnes & Noble, Waterstones, and independent local stores. Online Retailers: Amazon, Book Depository, and various online bookstores offer a wide range of books in physical and digital formats.
2. What are the different book formats available? Hardcover: Sturdy and durable, usually more expensive. Paperback: Cheaper, lighter, and more portable than hardcovers. E-books: Digital books available for e-readers like Kindle or software like Apple Books, Kindle, and Google Play Books.
3. How do I choose a Amana Ptac Wiring Schematic book to read? Genres: Consider the genre you enjoy (fiction, non-fiction, mystery, sci-fi, etc.). Recommendations: Ask friends, join book clubs, or explore online reviews and recommendations. Author: If you like a particular author, you might enjoy more of their work.
4. How do I take care of Amana Ptac Wiring Schematic books? Storage: Keep them away from direct sunlight and in a dry environment. Handling: Avoid folding pages, use bookmarks, and handle them with clean hands. Cleaning: Gently dust the covers and pages occasionally.
5. Can I borrow books without buying them? Public Libraries: Local libraries offer a wide range of books for borrowing. Book Swaps: Community book exchanges or online platforms where people exchange books.
6. How can I track my reading progress or manage my book collection? Book Tracking Apps: Goodreads, LibraryThing, and Book Catalogue are popular apps for tracking your reading progress and managing book collections. Spreadsheets: You can create your own spreadsheet to track books read, ratings, and other details.
7. What are Amana Ptac Wiring Schematic audiobooks, and where can I find them? Audiobooks: Audio recordings of books, perfect for listening while commuting or multitasking. Platforms: Audible, LibriVox, and Google Play Books offer a wide selection of audiobooks.
8. How do I support authors or the book industry? Buy Books: Purchase books from authors or independent bookstores. Reviews: Leave reviews on platforms like Goodreads or Amazon. Promotion: Share your favorite books on social media or recommend them to friends.
9. Are there book clubs or reading communities I can join? Local Clubs: Check for local book clubs in libraries or

community centers. Online Communities: Platforms like Goodreads have virtual book clubs and discussion groups.

10. Can I read Amana Ptac Wiring Schematic books for free? Public Domain Books: Many classic books are available for free as they're in the public domain. Free E-books: Some websites offer free e-books legally, like Project Gutenberg or Open Library.

Find Amana Ptac Wiring Schematic :

for beginners sci-fi dystopia

~~fantasy series step by step~~

~~urban fantasy ebook~~

~~international bestseller fantasy series~~

~~psychological suspense tricks~~

ideas myth retelling

2025 edition space opera

ideas gothic romance

cozy mystery complete workbook

~~reader's choice romantasy saga~~

sci-fi dystopia 2025 edition

~~cozy mystery 2025 edition~~

vampire romance review

international bestseller sci-fi dystopia

review booktok trending

Amana Ptac Wiring Schematic :

windows xp sample music microsoft free download borrow - Apr 12 2023

web jul 26 2022 microsoft publication date 2022 07 26 topics windows xp sample language english all windows xp sample music that came with windows xp crafted by microsoft

was ist eine mp3 cd und in auf welchen geräten ist sie abspielbar - Jan 29 2022

web jan 28 2008 wenn du mp3 s auf einem mp3 fähigen gerät abspielen möchtest dann funktioniert das nur wenn du sie im mp3 format als daten cd oder mp3 cd brennst wenn du sie als audio cd brennst dann wird die musik von mp3 in wav bzw cda

umformatiert im prinzip kannst du deine mp3 cd oder daten cd mit mp3 dateien nur

free audio cd to mp3 converter download computer bild - Nov 07 2022

web mar 1 2012 kurzbeschreibung mit dem kostenlosen free audio cd to mp3 converter überspielen sie ihre musik cds platzsparend auf den pc die windows software beherrscht das konvertieren in

how to ripping audio cds to mp3 on microsoft windows xp - Mar 11 2023

web there is plenty of software out there that can rip audio cds and cd ripping has a long history line so it is rather easily for one to find a number of non free software programs capable of doing audio music cd to mp3 ripping

audio mp3 co mit windows xp m cd rom by ingo lackerbauer - Dec 28 2021

web jun 30 2023 audio mp3 co mit windows xp m cd rom by ingo lackerbauer but end up in dangerous downloads we pay off for you this fitting as masterfully as simple pretentiousness to acquire those all this is also one of the components by

procuring the digital documents of this audio mp3 co mit windows xp m cd rom by ingo

how to rip audio tracks from any cd or cd rom using windows - May 13 2023

web oct 18 2019 how to rip audio tracks from any cd or cd rom to mp3 files using windows media player how to add tags to mp3 audio files using mp3tag

cd ye yazma ve kopyalama microsoft desteği - Jan 09 2023

web cd den kopyalama cd den müzik kopyaladığınızda şarkıları bir ses cd sinden bilgisayarınıza kopyalarsınız kopyalama işlemi sırasında player her bir şarkıyı sıkıştırır ve sürücünüze bir windows media audio wma wav veya mp3 dosyası olarak kaydeder

audiocd mp3 studio suite v3 00 for windows xp - Dec 08 2022

web mar 23 2006 record mp3 to audiocd transforms your mp3s to high quality audio cds in one easy step make your own audio cds in minutes the ultimate tool for creating and managing your private music archives using space saving high

compression formats extract tracks from audio cds with standard cd rom drives store them with or without

how to convert a cd into mp3 files with just windows xp windows media - Aug 16 2023

web this appears to be enabled by default on my system windows xp with wmp 11 however some sources claim that the l3codeca acm codec used by earlier versions up to v10 is rather limited in features for example 22050 hz

installation and driver cd roms free texts archive org - Sep 05 2022

web dec 31 2014 installation and driver cd roms various cd rom images of driver discs installation media and documentation companions that were included with hardware or operating systems more

windows xp installation music microsoft free download - Feb 10 2023

web dec 26 2020 windows xp installation music by microsoft publication date 2001 topics windows xp music you can find

this file in c windows system32 oobe images the windows installation music that plays while you install windows xp

how to convert mp3 to audio cd with 3 free and practical ways - Jun 02 2022

web jul 14 2023 step 2 run wmp and switch to library mode step 3 click the burn tab in the upper right corner and then click the burn options drop down list in the upper right corner to select the audio cd step 4 drag the mp3 file you want to convert from the library or other computer folders on the left to the blank part under the name of the right

how do i copy an audio cd in windows xp audio digital net - Feb 27 2022

web if you always want windows xp to open a writable cd folder when you insert blank media cd r or cd rw make sure the checkbox next to always do the selected action is selected when you click on ok a folder will open up where you can

cdda ripper xp download sourceforge net - Aug 04 2022

web nov 15 2017 cdda ripper xp is an audio cd ripper program that provides support for nt 2000 xp natively aspi manager is optional it supports wav mp3 ogg flac acm codec encoding and can be used to rip multiple cds it uses newest encoders like lame and ogg vorbis

audio mp3 co mit windows xp m cd rom ankauf - Jul 03 2022

web cd rom verkaufen über 8 millionen artikel im zoxs ankauf faire preise einfach schnell jetzt verkaufen audio mp3 co mit windows xp m cd rom verkaufen computer internet ankauf online über zoxs

all windows xp sounds microsoft free download borrow - Jul 15 2023

web all windows xp sounds microsoft free download borrow and streaming internet archive webamp volume 90 1 windows feed discovered 2 windows navigation start 3 windows pop up blocked 4 windows xp balloon 5 windows xp battery critical 6 windows xp battery low 00 01

mp3 express cd rom rippen editieren konvertieren mp3 co mit - Oct 06 2022

web für windows xp sp2 is a commercial software in the category audio multimedia developed by data becker the latest version of mp3 express cd rom rippen editieren

audio mp3 co mit windows xp m cd rom by ingo lackerbauer - Mar 31 2022

web jun 30 2023 audio mp3 co mit windows xp m cd rom by ingo lackerbauer package is 7 5 mb monly this program s installer has the following filenames amc exe audioconverter exe audobookconverter exe converter exe and mp3converter exe etc

what are mp3 cds lifewire - May 01 2022

web jun 13 2022 379 what are mp3 cds once popular mp3 format gave way to portable music players by mark harris updated on june 13 2022 reviewed by jessica kormos in this article jump to a section mp3 cd advantages mp3 cd disadvantages how to create or rip an mp3 cd an mp3 cd is a compact disc with audio files in the mp3 format

how to convert audio cd to mp3 rip music from a cd using windows xp - Jun 14 2023

web the simplest way to get mp3s from your audio cds no download required no third party software required note ripping is the process of getting music from

pdf the global economy as you ve never seen it 99 ing - Aug 03 2022

web the global economy as you ve never seen it 99 ing regional integration in west africa mar 06 2021 assessing the potential benefits and risks of a currency union leaders of the fifteen member economic community of west african states ecowas have set a goal of achieving a monetary and currency union by late 2020

global economy as you ve never seen it the ciltli kapak - Jun 01 2022

web global economy as you ve never seen it the thomas range amazon com tr kitap

read free the global economy as you ve never seen it 99 ing - Mar 30 2022

web the global economy as you ve never seen it 99 ing the global economy jul 12 2022 the global economy a concise history traces the history of the global economy over the past thousand years in doing so it explores all the main waves of globalization from the trade revolution of the

the global economy as you ve never seen it 99 ingenious - Mar 10 2023

web oct 23 2018 the global economy as you ve never seen it presents 99 brilliant infographics that everyone can understand from start ups to monopolies from trade agreements to theory author thomas range and infographic specialist jan schwochow bring every facet of the economic web to life

the global economy as you ve never seen it 99 ing pdf - Jan 28 2022

web the global economy as you ve never seen it 99 ing the best film you ve never seen sep 13 2020 thirty five directors reveal which overlooked or critically savaged films they believe deserve a larger audience while offering advice on how to watch each film the best art you ve never seen mar 20 2021

the global economy as you ve never seen it 99 ing - Dec 27 2021

web demonstrating how economic policies can carry negative repercussions the world over the great rebalancing sheds urgent light on our globally linked economic future the global economy as you ve never seen it thomas range 2018 10 23 an ingeniously conceived tour of the global economy and all its key components illuminated one by one in 99

the global economy as you ve never seen it youtube - Nov 06 2022

web nov 8 2018 understand the inner workings of the economy as never before with the global economy as you ve never seen it a new book of 99 illuminating full color infographics

the global economy as you ve never seen it 99 ingenious - Feb 09 2023

web the global economy as you ve never seen it presents 99 brilliant infographics that everyone can understand from start

ups to monopolies from trade agreements to theory author thomas ranget and infographic specialist jan schwochow bring every facet of the economic web to life

the global economy as you ve never seen it 99 ingenious - Oct 05 2022

web jun 18 2019 the global economy as you ve never seen it 99 ingenious infographics that put it all together

the global economy as you ve never seen it 99 ingenious - Jun 13 2023

web the global economy as you ve never seen it 99 ingenious infographics that put it all together thomas ranget jan schwochow adrian garcia landa 9781615195176 amazon com books books business money economics enjoy fast free delivery exclusive deals and award winning movies tv shows with prime

the global economy as you ve never seen it google books - Jul 14 2023

web oct 23 2018 an ingeniously conceived tour of the global economy and all its key components illuminated one by one in 99 large scale full color infographicsthe economy is a complex world spanning layer upon layer upon layer behemoth one could argue that almost every aspect of our lives is connected to the realms of business and finance

full version the global economy as you ve never seen it 99 - Sep 04 2022

web apr 18 2021 full version the global economy as you ve never seen it 99 ingenious infographics that put it

[the global economy as you ve never seen it 99 ingenious](#) - Dec 07 2022

web the global economy as you ve never seen it 99 ingenious infographics that put it all together buy online at best price in ksa souq is now amazon sa ranget thomas books

the global economy as you ve never seen it 99 ingeniou - Aug 15 2023

web thomas ranget jan schwochow adrian garcia landa contributor more 4 10 130 ratings20 reviews an ingeniously conceived tour of the global economy and all its key components deconstructed piece by piece in 99 illuminating full color infographics the economy is a complex world spanning layer upon layer upon layer behemoth one

the global economy as you ve never seen it 99 ingenious - Apr 30 2022

web the global economy as you ve never seen it 99 ingenious infographics that put it all together english language edition 9781615195176 1615195173

global economy as you ve never seen it the 99 ingenious - May 12 2023

web buy global economy as you ve never seen it the 99 ingenious infographics that put it all together illustrated by thomas ranget isbn 9781615195176 from amazon s book store everyday low prices and free delivery on eligible orders

the global economy as you ve never seen it the experiment - Jan 08 2023

web oct 23 2018 the global economy as you ve never seen it presents 99 brilliant infographics that everyone can understand from start ups to monopolies from trade agreements to theory author thomas ranget and infographic specialist jan

schwochow bring every facet of the economic web to life

pdf download the global economy as you ve never seen it 99 - Jul 02 2022

web mar 18 2019 attention your epaper is waiting for publication by publishing your document the content will be optimally indexed by google via ai and sorted into the right category for over 500 million epaper readers on yumpu

the global economy as you ve never seen it 99 ing pdf - Feb 26 2022

web kindly say the the global economy as you ve never seen it 99 ing is universally compatible with any devices to read the global economy as you ve never seen it 99 ing downloaded from urbandev themontcalm com by guest janiyah carey

understanding the world economy cambridge university press providing an

the global economy as you ve never seen it 99 ingenious - Apr 11 2023

web oct 23 2018 the global economy as you ve never seen it presents 99 brilliant infographics that everyone can understand from start ups to monopolies from trade agreements to theory author thomas ramge and infographic specialist jan

schwochow bring every facet of the economic web to life

colapso por qué unas sociedades perduran y otras desaparecen - Dec 07 2022

web jan 27 2006 después de su libro ya clásico armas gérmenes y acero jared diamond se pregunta en colapso cómo unas sociedades han desaparecido sin apenas dejar huella de su evolución mientras que otras adaptadas al medio y gracias a unas condiciones especiales de crecimiento han alcanzado una próspera civilización material y cultural

diamond jared 2006 colapso por qué unas sociedades perduran y otras - Jun 13 2023

web mundialización y hay libros que además son amenos y a pesar de su volumen se pueden leer casi de un tirón y son enormemente provechosos para nuestra formación pues bien colapso por qué unas sociedades perduran y otras desaparecen del geógrafo estadounidense jared diamond es un libro que tiene la virtud de integrar de

colapso por qué unas sociedades perduran y otras desaparecen - Oct 05 2022

web apr 1 2020 penguin random house grupo editorial españa apr 1 2020 social science 752 pages jared diamond se pregunta cómo unas sociedades que han desaparecido sin apenas dejar huella de su

colapso por qué unas sociedades perduran y otras desaparecen - Jul 14 2023

web después de su libro ya clásico armas gérmenes y acero jared diamond se pregunta en colapso cómo unas sociedades han desaparecido sin apenas dejar huella de su evolución mientras que otras adaptadas al medio y gracias a unas condiciones especiales de crecimiento han alcanzado una próspera civilización material y cultural

colapso por qué unas sociedades perduran y otras desaparecen - Dec 27 2021

web el punto de partida es una rigurosa investigación de los casos de culturas que no han perdurado historias trágicas como la de los mayas la de la isla de pascua o la de los indios anasazi en norteamérica historias menos terribles como la de islandia

o de japon culturas que han sabido reaccionar con éxito a desafíos ambientales

colapso por qué unas sociedades perduran y otras desaparecen - Jan 08 2023

web about the author 2018 jared diamond 1937 es catedrático de geografía en la universidad de california ucla comenzó su actividad científica en el campo de la fisiología evolutiva y la biogeografía ha sido elegido miembro de la academia de artes y ciencias de la academia nacional de ciencias y de la sociedad filosófica de estados

colapso por qué unas sociedades perduran y otras - Apr 30 2022

web colapso se presenta al lector dividido en cuatro partes diferenciadas pero que siguen una secuencia de pensamiento pedagógica dirigida a reforzar y demostrar el mensaje final la primera parte está destinada a situar el problema que se analizará a lo largo del libro en una realidad cercana e incluso aparentemente en orden

colapso por qué unas sociedades perduran y otras desaparecen - Jan 28 2022

web colapso por qué unas sociedades perduran y otras desaparecen mafer prz fdz y margy hirschy y para sus compatriotas de los guardianes del ancho cielo de montana topé con un viajero de un antiguo país que me dijo dos piernas de piedra colosales se yerguen sin su tronco en medio del desierto

colapso por qué unas sociedades perduran y otras desaparecen - Aug 03 2022

web colapso por qué unas sociedades perduran y otras des aparecen 2005 2006 y 2007 es una de las obras del biólogo estadounidense jared diamond ganador del premio pultitzer en 1998 por su libro armas gérmenes y acero 1997 diamond sigue en el debate

colapso por qué unas sociedades perduran y otras desaparecen - Aug 15 2023

web diamond usa un contexto cuando considera el colapso de una sociedad que consiste en cinco factores que pueden afectar lo que ocurra con la sociedad daño ambiental cambio climático vecinos hostiles pérdida de comercio y las propias respuestas de la sociedad a los problemas ambientales

bibliografía crítica colapso por qué unas sociedades perduran y otras - Mar 30 2022

web en el análisis de las sociedades pasadas identificó cinco conjuntos de factores implicados en su desaparición o supervivencia deterioro ambiental cambio climático vecinos hostiles socios

colapso por qué unas sociedades perduran y otras desaparecen - Mar 10 2023

web jan 30 2018 about colapso por qué unas sociedades perduran y otras desaparecen collapse how so cieties choose to fail or succeed jared diamond se pregunta cómo unas sociedades que han desaparecido sin apenas dejar huella de su evolución han alcanzado una próspera civilización material y cultural

colapso por qué unas sociedades perduran y otras desaparecen - May 12 2023

web jan 5 2007 jared diamond se pregunta en colapso cómo unas sociedades han desaparecido sin apenas dejar huella de su

evolución mientras que otras adaptadas al medio y gracias a unas condiciones

colapso por qué unas sociedades perduran y otras desaparecen historia - Sep 04 2022

web colapso por qué unas sociedades perduran y otras desaparecen historia diamond jared garcía perez ricardo amazon es libros

colapso por qué unas sociedades perduran y otras - Jul 02 2022

web 01 después de su libro ya clásico armas gérmenes y acero jared diamond se pregunta en colapso cómo unas sociedades han desaparecido sin apenas dejar huella de su evolución mientras que otras adaptadas al medio y gracias a unas condiciones especiales de cr libro nº de ref del artículo 1000446

colapso por qué unas sociedades perduran y otras desaparecen - Feb 09 2023

web el punto de partida es una rigurosa investigación de los casos de culturas que no han perdurado historias trágicas como la de los mayas la de la isla de pascua o la de los indios anasazi en norteamérica historias menos terribles como la de islandia o de japon culturas que han sabido reaccionar con éxito a desafíos ambientales

colapso por qué unas sociedades perduran y otras desaparecen - Apr 11 2023

web sep 29 2017 pdf on sep 29 2017 hans fernández navarro published colapso por qué unas sociedades perduran y otras desaparecen find read and cite all the research you need on researchgate

colapso por qué unas sociedades perduran y otras desaparecen ensayo - Nov 06 2022

web el punto de partida es una rigurosa investigación de los casos de culturas que no han perdurado historias trágicas como la de los mayas los habitantes de la isla de pascua los indios anasazi en norteamérica historias menos terribles como la de islandia o de japon culturas que han sabido reaccionar con éxito a desafíos ambientales historias

colapso por qué unas sociedades perduran y otras desaparecen - Jun 01 2022

web colapso por qué unas sociedades perduran y otras desaparecen es un libro originalmente publicado en 2005 en inglés collapse how societies choose to fail or succeed por jared m diamond profesor de geografía en la

colapso por que unas sociedades perduran y otras desaparecen - Feb 26 2022

web sinopsis de colapso por que unas sociedades perduran y otras desaparecen jared diamond se pregunta cómo unas sociedades que han desaparecido sin apenas dejar huella de su evolución han alcanzado una próspera civilización material y cultural