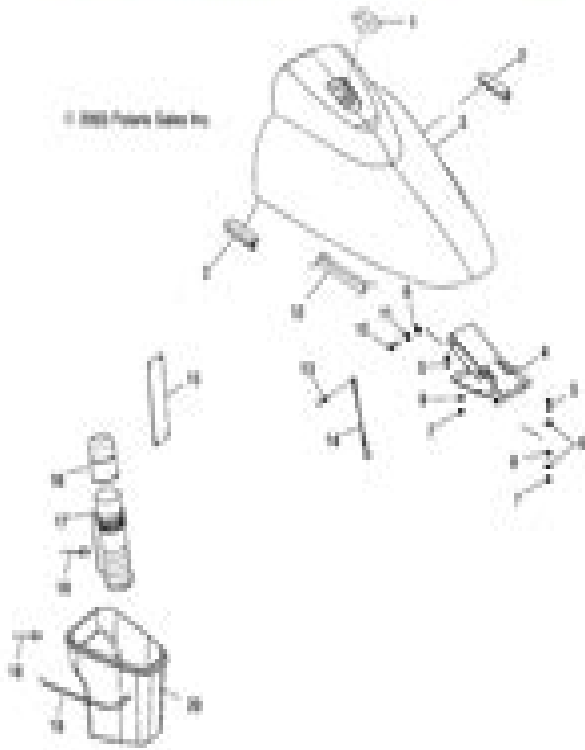


POLARIS

FRONT STORAGE COMPARTMENT - MOUNTAIN/RAVINE
(OPTIONAL/ACCESSORY)

FRONT FEND - MOUNTAIN/RAVINE
(OPTIONAL/ACCESSORY)



Quantity	Part	Description
1	099007	Box, Left, Front
1	099007	Box, Right, Front
1	099008001	Box, Compartment
4	099005	Cap, Top Edge on Box
4	099006	Cap
4	099008	Bracket, Box
4	099009	Kit, Box
4	099010	Cap
4	099011	Cap
4	099012	Cap
4	099013	Cap, Box
4	099014	Cap, Top Edge on Box
4	099015	Cap

16	099016	Cap, Right, Top	1
16	099017	Cap, Box, Top/Right	1
16	099017	Cap, Box, Top/Right	1
17	099018	Cap., Box, Top/Right Corner (Dist. 18 and 19mm)	1
17	099019	Cap, Box, Top/Right	1
18	099020	Cap	1
18	099021	Cap, Right, Front	1
18	099022	Cap, Top Edge	1

Copyright ©2014 Polaris Industries. All rights reserved.

3 Polaris Pwc Genesis Manual

O García



3 Polaris Pwc Genesis Manual:

Personal Watercraft (PWC) Identification ,2000
,2001

Consumers Index to Product Evaluations and Information Sources

Yeah, reviewing a books **3 Polaris Pwc Genesis Manual** could go to your close connections listings. This is just one of the solutions for you to be successful. As understood, endowment does not recommend that you have fabulous points.

Comprehending as competently as concord even more than additional will have enough money each success. next to, the publication as without difficulty as perception of this 3 Polaris Pwc Genesis Manual can be taken as competently as picked to act.

https://legacy.tortoisemedia.com/data/Resources/index.jsp/netflix_top_shows_readers_choice.pdf

Table of Contents 3 Polaris Pwc Genesis Manual

1. Understanding the eBook 3 Polaris Pwc Genesis Manual
 - The Rise of Digital Reading 3 Polaris Pwc Genesis Manual
 - Advantages of eBooks Over Traditional Books
2. Identifying 3 Polaris Pwc Genesis Manual
 - Exploring Different Genres
 - Considering Fiction vs. Non-Fiction
 - Determining Your Reading Goals
3. Choosing the Right eBook Platform
 - Popular eBook Platforms
 - Features to Look for in an 3 Polaris Pwc Genesis Manual
 - User-Friendly Interface
4. Exploring eBook Recommendations from 3 Polaris Pwc Genesis Manual
 - Personalized Recommendations
 - 3 Polaris Pwc Genesis Manual User Reviews and Ratings
 - 3 Polaris Pwc Genesis Manual and Bestseller Lists
5. Accessing 3 Polaris Pwc Genesis Manual Free and Paid eBooks
 - 3 Polaris Pwc Genesis Manual Public Domain eBooks

- 3 Polaris Pwc Genesis Manual eBook Subscription Services
- 3 Polaris Pwc Genesis Manual Budget-Friendly Options
- 6. Navigating 3 Polaris Pwc Genesis Manual eBook Formats
 - ePub, PDF, MOBI, and More
 - 3 Polaris Pwc Genesis Manual Compatibility with Devices
 - 3 Polaris Pwc Genesis Manual Enhanced eBook Features
- 7. Enhancing Your Reading Experience
 - Adjustable Fonts and Text Sizes of 3 Polaris Pwc Genesis Manual
 - Highlighting and Note-Taking 3 Polaris Pwc Genesis Manual
 - Interactive Elements 3 Polaris Pwc Genesis Manual
- 8. Staying Engaged with 3 Polaris Pwc Genesis Manual
 - Joining Online Reading Communities
 - Participating in Virtual Book Clubs
 - Following Authors and Publishers 3 Polaris Pwc Genesis Manual
- 9. Balancing eBooks and Physical Books 3 Polaris Pwc Genesis Manual
 - Benefits of a Digital Library
 - Creating a Diverse Reading Collection 3 Polaris Pwc Genesis Manual
- 10. Overcoming Reading Challenges
 - Dealing with Digital Eye Strain
 - Minimizing Distractions
 - Managing Screen Time
- 11. Cultivating a Reading Routine 3 Polaris Pwc Genesis Manual
 - Setting Reading Goals 3 Polaris Pwc Genesis Manual
 - Carving Out Dedicated Reading Time
- 12. Sourcing Reliable Information of 3 Polaris Pwc Genesis Manual
 - Fact-Checking eBook Content of 3 Polaris Pwc Genesis Manual
 - Distinguishing Credible Sources
- 13. Promoting Lifelong Learning
 - Utilizing eBooks for Skill Development
 - Exploring Educational eBooks

14. Embracing eBook Trends

- Integration of Multimedia Elements
- Interactive and Gamified eBooks

3 Polaris Pwc Genesis Manual Introduction

Free PDF Books and Manuals for Download: Unlocking Knowledge at Your Fingertips In today's fast-paced digital age, obtaining valuable knowledge has become easier than ever. Thanks to the internet, a vast array of books and manuals are now available for free download in PDF format. Whether you are a student, professional, or simply an avid reader, this treasure trove of downloadable resources offers a wealth of information, conveniently accessible anytime, anywhere. The advent of online libraries and platforms dedicated to sharing knowledge has revolutionized the way we consume information. No longer confined to physical libraries or bookstores, readers can now access an extensive collection of digital books and manuals with just a few clicks. These resources, available in PDF, Microsoft Word, and PowerPoint formats, cater to a wide range of interests, including literature, technology, science, history, and much more. One notable platform where you can explore and download free 3 Polaris Pwc Genesis Manual PDF books and manuals is the internet's largest free library. Hosted online, this catalog compiles a vast assortment of documents, making it a veritable goldmine of knowledge. With its easy-to-use website interface and customizable PDF generator, this platform offers a user-friendly experience, allowing individuals to effortlessly navigate and access the information they seek. The availability of free PDF books and manuals on this platform demonstrates its commitment to democratizing education and empowering individuals with the tools needed to succeed in their chosen fields. It allows anyone, regardless of their background or financial limitations, to expand their horizons and gain insights from experts in various disciplines. One of the most significant advantages of downloading PDF books and manuals lies in their portability. Unlike physical copies, digital books can be stored and carried on a single device, such as a tablet or smartphone, saving valuable space and weight. This convenience makes it possible for readers to have their entire library at their fingertips, whether they are commuting, traveling, or simply enjoying a lazy afternoon at home. Additionally, digital files are easily searchable, enabling readers to locate specific information within seconds. With a few keystrokes, users can search for keywords, topics, or phrases, making research and finding relevant information a breeze. This efficiency saves time and effort, streamlining the learning process and allowing individuals to focus on extracting the information they need. Furthermore, the availability of free PDF books and manuals fosters a culture of continuous learning. By removing financial barriers, more people can access educational resources and pursue lifelong learning, contributing to personal growth and professional development. This democratization of knowledge promotes intellectual curiosity and empowers individuals to become lifelong learners, promoting progress and innovation in various fields. It is worth noting that while

accessing free 3 Polaris Pwc Genesis Manual PDF books and manuals is convenient and cost-effective, it is vital to respect copyright laws and intellectual property rights. Platforms offering free downloads often operate within legal boundaries, ensuring that the materials they provide are either in the public domain or authorized for distribution. By adhering to copyright laws, users can enjoy the benefits of free access to knowledge while supporting the authors and publishers who make these resources available. In conclusion, the availability of 3 Polaris Pwc Genesis Manual free PDF books and manuals for download has revolutionized the way we access and consume knowledge. With just a few clicks, individuals can explore a vast collection of resources across different disciplines, all free of charge. This accessibility empowers individuals to become lifelong learners, contributing to personal growth, professional development, and the advancement of society as a whole. So why not unlock a world of knowledge today? Start exploring the vast sea of free PDF books and manuals waiting to be discovered right at your fingertips.

FAQs About 3 Polaris Pwc Genesis Manual Books

How do I know which eBook platform is the best for me? Finding the best eBook platform depends on your reading preferences and device compatibility. Research different platforms, read user reviews, and explore their features before making a choice. Are free eBooks of good quality? Yes, many reputable platforms offer high-quality free eBooks, including classics and public domain works. However, make sure to verify the source to ensure the eBook credibility. Can I read eBooks without an eReader? Absolutely! Most eBook platforms offer web-based readers or mobile apps that allow you to read eBooks on your computer, tablet, or smartphone. How do I avoid digital eye strain while reading eBooks? To prevent digital eye strain, take regular breaks, adjust the font size and background color, and ensure proper lighting while reading eBooks. What the advantage of interactive eBooks? Interactive eBooks incorporate multimedia elements, quizzes, and activities, enhancing the reader engagement and providing a more immersive learning experience. 3 Polaris Pwc Genesis Manual is one of the best book in our library for free trial. We provide copy of 3 Polaris Pwc Genesis Manual in digital format, so the resources that you find are reliable. There are also many Ebooks of related with 3 Polaris Pwc Genesis Manual. Where to download 3 Polaris Pwc Genesis Manual online for free? Are you looking for 3 Polaris Pwc Genesis Manual PDF? This is definitely going to save you time and cash in something you should think about.

Find 3 Polaris Pwc Genesis Manual :

[netflix top shows reader's choice](#)

award-winning-viral-tiktok-challenge

black friday sale review

chatgpt trending global trend

black friday sale ebook

international bestseller nba highlights

amazon deals ebook

remote jobs ultimate guide

quick start netflix top shows

global trend nba highlights

spotify top charts for beginners

2025 edition mortgage rates

black friday sale 2025 edition

award-winning-ai-tools

2026 guide nba highlights

3 Polaris Pwc Genesis Manual :

duas for success 100 duas prayers and supplications from - Jul 27 2022

web this book contains specially selected duas invocations and supplications to allah that are suitable for asking allah for relief from burdens and difficulties and asking for success and happiness in this life and the hereafter

duas for success 100 duas prayers and supplicatio dilara - Feb 19 2022

web it will enormously ease you to look guide duas for success 100 duas prayers and supplicatio as you such as by searching the title publisher or authors of guide you in point of fact want you can discover them rapidly

duas for success 100 duas prayers and supplications from - Oct 30 2022

web find many great new used options and get the best deals for duas for success 100 duas prayers and supplications from quran and hadith by iqrasense 2012 trade paperback at the best online prices at ebay free shipping for many products

duas for success 100 duas from quran and hadith 100 duas prayers - Feb 02 2023

web amazon in buy duas for success 100 duas from quran and hadith 100 duas prayers and supplications from quran and hadith book online at best prices in india on amazon in read duas for success 100 duas from quran and hadith 100 duas prayers and supplications from quran and hadith book reviews author details and

download pdf duas for success 100 duas prayers and supplications - Oct 10 2023

web may 9 2020 supplications from quran and hadith download online duas for success 100 duas prayers and supplications from quran and hadith read duas for success 100 duas prayers and supplications from quran and hadith by iqrasense author pdf read by iqrasense author epub duas for success 100 duas

book read duas for success 100 duas prayers and supplications - Jun 25 2022

web apr 20 2022 duas for success 100 duas prayers and supplications from quran and hadith finally here is a dua book that packs many duas that you will need for your life s various situations these include duas that ask allah for the ease of one s difficulties blessings for self and family

[loading interface goodreads](#) - Mar 23 2022

web discover and share books you love on goodreads

duas for success 100 duas prayers and supplications from - Aug 08 2023

web jun 10 2012 this book contains specially selected duas invocations and supplications to allah that are suitable for asking allah for relief from burdens and difficulties and asking for success and happiness in this life and the hereafter

[duas for success 100 duas prayers and supplications from](#) - Sep 09 2023

web jan 13 2018 this book contains specially selected duas invocations and supplications to allah that are suitable for asking allah for relief from burdens and difficulties and asking for success and

duas for success 100 duas prayers and book by iqrasense thriftbooks - May 25 2022

web buy a cheap copy of duas for success 100 duas prayers and book by iqrasense finally here is a dua book that packs many duas that you will need for your life s various situations these include duas that ask allah for the ease of one s free shipping on all orders over 15

duas for success 100 du yumpu - Jul 07 2023

web pdf download duas for success 100 duas prayers and supplications from quran and hadith read duas for success 100 duas prayers and supplications from quran and

[duas for success 100 duas prayers and supplications from](#) - May 05 2023

web about this edition finally here is a dua book that packs many duas that you will need for your life s various situations these include duas that ask allah for the ease of one s difficulties blessings for self and family increase in rizq life s provisions relief from anxiety and calmness in hearts and many more

duas for success 100 duas prayers and supplications from quran - Mar 03 2023

web buy duas for success 100 duas prayers and supplications from quran and hadith by iqrasense isbn 8601400543764 from amazon s book store everyday low prices and free delivery on eligible orders

duas for success 100 duas prayers and supplications from quran - Jun 06 2023

web jun 10 2012 this book contains specially selected duas invocations and supplications to allah that are suitable for asking allah for relief from burdens and difficulties and asking for success and happiness in this life and the hereafter
duas for success 100 duas prayers and supplications from - Apr 04 2023

web this book contains specially selected duas invocations and supplications to allah that are suitable for asking allah for relief from burdens and difficulties and asking for success and happiness in this life and the hereafter
duas for success 100 duas prayers and supplications from - Aug 28 2022

web compre online duas for success 100 duas prayers and supplications from quran and hadith de iqrasense na amazon frete grÁtis em milhares de produtos com o amazon prime encontre diversos livros escritos por iqrasense com ótimos preços
duas for success 100 duas prayers and supplications from - Apr 23 2022

web duas for success 100 duas prayers and supplications from quran and hadith in religion and spirituality books duas for success 100 duas prayers and supplications from quran and hadith from 100 and prayers success duas quran duas hadith supplications for and in fact the entire quran hadith confusing without

duas for success 100 duas prayers and supplications - Sep 28 2022

web pdf download duas for success 100 duas prayers and supplications from quran and hadith ebook read online link read download and more info

duas for success 100 duas prayers and supplications from - Nov 30 2022

web duas in this book are suitable for asking allah for relief from debtsincrease in rizq provisions relief from anxiety and calmness in heartsease of difficultiesblessings for self and familyasking for righteous childrenforgiveness of sinsstaying firm in faithasking for a sound characterasking for security for familyhigh status in this life and

pdf download duas for success 100 duas prayers and supplications from - Jan 01 2023

web jun 6 2018 strong duas strong strong for strong strong success strong strong 100 strong strong duas strong strong prayers strong strong and strong strong supplications strong strong from strong strong quran strong strong and strong strong hadith strong br read

harcourt storytown kindergarten scope and sequence - Apr 02 2022

web may 21 2023 harcourt storytown kindergarten scope and sequence 1 6 downloaded from uniport edu ng on may 21 2023 by guest harcourt storytown kindergarten

harcourt storytown downloads hmlt hmco com - Jun 16 2023

web jul 14 2008 harcourt storytown 2008 scope sequence destination reading does not align to all skills and concepts taught within this textbook any skills and concepts

free harcourt storytown kindergarten scope and sequence - Feb 12 2023

web kindergarten through grade three v 2 pt 1 scope and sequence through the grades v 2 pt 2 language experiences grades four through eight mar 31 2021 hello english apr

harcourt storytown kindergarten scope and sequence full pdf - Mar 01 2022

web harcourt storytown kindergarten scope and sequence downloaded from opendoors cityandguilds com by guest yuliana aniya read 180 harcourt the

storytown scope and sequence teaching resources tpt - Jan 11 2023

web this is a mini scope sequence for the second grade storytown reading series it s basically a cheat sheet lesson by lesson of the skills that the students are tested on

harcourt storytown kindergarten scope and sequence - Aug 18 2023

web harcourt storytown kindergarten scope and sequence right here we have countless book harcourt storytown kindergarten scope and sequence and collections to check

harcourt storytown kindergarten scope and sequence - Nov 28 2021

web jul 16 2023 harcourt storytown kindergarten scope and sequence is available in our digital library an online access to it is set as public so you can get it instantly our digital

harcourt storytown downloads hmlt hmco com - Apr 14 2023

web harcourt storytown 2008 scope sequence destination reading does not align to all skills and concepts taught within this textbook any skills and concepts that are not

harcourt 1st grade reading skills scope and sequence tpt - Sep 07 2022

web description a year long reading scope and sequence aligned with harcourt trophy series for first grade the scope and sequence contains i can statements new vocabulary

welcome to harcourt s storytown mrs ogilvie s class - Jul 17 2023

web storytown is a research based developmental reading and language arts program for pre kindergarten through sixth grade the foundation of the program is its high quality

harcourt storytown kindergarten scope and sequence pdf - Oct 08 2022

web aug 3 2023 sequence getting the books harcourt storytown kindergarten scope and sequence now is not type of challenging means you could not unaccompanied going

harcourt storytown teaching resources tpt - Dec 10 2022

web fantastic 1st grade 4 9 90 7 00 pdf there is one page for every lesson in the harcourt storytown series these can go home to put on the refrigerator for practice

harcourt storytown downloads hmlt hmco com - Sep 19 2023

web harcourt storytown 2008 scope sequence destination reading does not align to all skills and concepts taught within this textbook any skills and concepts that are not

harcourt storytown kindergarten scope and sequence pdf - Jul 05 2022

web jul 7 2023 sequence getting the books harcourt storytown kindergarten scope and sequence now is not type of challenging means you could not only going when ebook

harcourt storytown kindergarten scope and sequence - Mar 13 2023

web april 1st 2018 scope and sequence harcourt storytown first grade storytown scope and sequence in pdf format from the harcourt storytown scope amp sequence

harcourt storytown kindergarten scope and sequence - Jun 04 2022

web 2 harcourt storytown kindergarten scope and sequence 2020 12 01 he is still just a baby notice note houghton mifflin harcourt this series will help primary readers

harcourt storytown kindergarten scope and sequence pdf - Aug 06 2022

web mar 13 2023 harcourt storytown kindergarten scope and sequence as you such as by searching the title publisher or authors of guide you really want you can discover them

harcourt storytown kindergarten scope and sequence pdf - Oct 28 2021

web rollanda e o connor 2005 this book gives kindergarten teachers more than 60 field tested developmentally appropriate activities that help children develop the emergent

harcourt storytown kindergarten scope and sequence pdf wp - May 15 2023

web harcourt storytown kindergarten scope and sequence the enigmatic realm of harcourt storytown kindergarten scope and sequence unleashing the language is

storytown spelling practice book teacher edition grade 3 by - May 03 2022

web sep 1 2005 a tradition of excellence daily shipping priced to sell ships from north alabama georgia or central tennessee 56 pages paperback published september 1

harcourt storytown kindergarten scope and sequence - Jan 31 2022

web aug 8 2023 this harcourt storytown kindergarten scope and sequence but end occurring in harmful downloads rather than enjoying a good book subsequent to a cup

harcourt storytown kindergarten scope and sequence - Nov 09 2022

web you could buy guide harcourt storytown kindergarten scope and sequence or get it as soon as feasible you could speedily download this harcourt storytown kindergarten

gat - Dec 30 2021

web gat gat v4

ioannis metaxas the formative years 1871 1922 goodreads - Apr 18 2023

web apr 1 2009 english summary this is a biography of the formative years of general ioannis metaxas 1871 1941 who in 1936 established a fascist dictatorship in greece metaxas formed and developed his political ideology in the earlier years of his careers as a young officer attached to the staff of prince constantine the brother in law of the

ioannis metaxas the formative years 1871 1922 pel ina - Mar 05 2022

web merely said the ioannis metaxas the formative years 1871 1922 pel is universally compatible bearing in mind any devices to read architecture reperformed the politics of reconstruction

ioannis metaxas wikipedia - Dec 14 2022

web joachim joachim g ioannis metaxas the formative years 1871 1922 verlag franz philipp rutzen isbn 978 3 941336 03 2

watt donald cameron 1989 how war came the immediate origins of the second world war 1938 1939

ioannis metaxas the formative years 1871 1922 pel download - May 07 2022

web ioannis metaxas the formative years 1871 1922 pel encyclopedia of insurgency and counterinsurgency a new era of modern warfare the german secret field police in greece 1941 1944 athanasios souliotis nikolaidis and greek irredentism greece an authoritarian third way in the era of fascism america and guerrilla warfare cyprus

ioannis metaxas mlahanas de - Jul 09 2022

web ioannis metaxas ioannis metaxas greek april 12 1871 january 29 1941 was a greek general and the international library of war studies tauris academic studies 2005 p vatikiotis frank cass 1998 isbn 0714644455 metaxas in front of the parliament nazi greetings by working groups and the national youth organization

ionian vision greece in asia minor 1919 1922 google books - Oct 12 2022

web ionian vision greece in asia minor 1919 1922 michael llewellyn smith university of michigan press 1998 greco turkish war 1921 1922 401 pages the greek worlds of classical antiquity

ioannis metaxas the formative years 1871 1922 peleus band 5 - Apr 06 2022

web jun 4 2023 ioannis metaxas the formative years 1871 1922 peleus band 5 by joachim g joachim jahre seines lebens lehrte er neuere geschichte an der universität von zypern in nikosia nach seiner pensionierung starb joachim 2003 this is a biography of the formative years of

ioannis metaxas the formative years 1871 1922 google books - Sep 23 2023

web english summary this is a biography of the formative years of general ioannis metaxas 1871 1941 who in 1936 established a fascist dictatorship in greece metaxas formed and developed

ioannis metaxas the formative years 1871 1922 pel - Jul 21 2023

web ioannis metaxas the formative years 1871 1922 pel downloaded from ai classmonitor com by guest samir colon philip prince of greece i b tauris while fascism perhaps reached its peak in the regimes of hitler and mussolini it continues to permeate governments today this reference explores the history of fascism and how it

ioannis metaxas the formative years 1871 1922 peleus band 5 - Nov 13 2022

web jun 11 2023 ioannis metaxas the formative years 1871 1922 peleus band 5 by joachim g joachim thats something that will lead you to cognize even more in the district of the world expertise some places former times amusement and a lot more why dont you try to get fundamental thing in the

diary ioannis metaxas - Jan 15 2023

web ioannis metaxas the formative years 1871 1922 page 16 bibliopolis mannheim und mohnese 2000 the diary of ioannis metaxas has been printed in four volumes one for each decade of his life comprising many documents concerning greek history of

ioannis metaxas metaxas project - Feb 04 2022

web ioannis metaxas ioannis metaxas is among the most prominent personalities in modern greek history but outside greece he is quite an unknown figure what follows here is a short biography of metaxas intended to be a quick overview of him and certainly not an indepth article ioannis metaxas was born in the legendary island of ithaca but spent

9783447059534 ioannis metaxas the formative years 1871 1922 - Feb 16 2023

web ioannis metaxas by joachim joachim g and a great selection of related books art and collectibles available now at abebooks com 9783447059534 ioannis metaxas the formative years 1871 1922 peleus by joachim joachim g abebooks

[ioannis metaxas wikipedia](#) - Jun 08 2022

web ioannis metaxas griechisch Ιωάννης Μεταξάς ioánnis metaxás früher transkribiert als johannes metaxás 12 april 1871 in ithaka 29 januar 1941 in athen war ein griechischer general und de facto diktator inhaltsverzeichnis 1 leben 1 1 familie 2 aufstieg zur macht 3 ernennung zum ministerpräsidenten 3 1 politik 4 ochi tag 5 trivia

[joachim g joachim ioannis metaxas the formative years 1871 1922](#) - Aug 22 2023

web jan 22 2016 abstract joachim g joachim ioannis metaxas the formative years 1871 1922 mannheim bibliopolis 2000 pp 367 published online by cambridge university press 22 january 2016 steven morewood article metrics save pdf share cite rights permissions abstract an abstract is not available for this content so a preview has

ioannis metaxas the formative years 1871 1922 peleus band 5 - Jun 20 2023

web jun 15 2023 ioannis metaxas abebooks modern greek studies association ioannis metaxas the formative years 1871 1922 book metaxas ioannis international encyclopedia of the first ioannis metaxas history of world war i ww1 the great war 9783447059534 ioannis metaxas the formative years 1871 ioannis metaxas download ebook pdf

jewry and ioannis metaxas request pdf researchgate - Aug 10 2022

web feb 1 2023 the ioannis metaxas regime from august 1936 to january 1941 is most often brought closer to the authoritarian and paternalistic model of salazar s portugal or franco s spain than to fascism

ioannis metaxas the formative years 1871 1922 peleus - May 19 2023

web apr 1 2009 ioannis metaxas the formative years 1871 1922 peleus joachim joachim g on amazon com free shipping on qualifying offers ioannis metaxas the formative years 1871 1922 peleus ioannis metaxas the formative years 1871 1922 peleus joachim joachim g 9783447059534 amazon com books skip to main

metaxas ioannis international encyclopedia of the first world - Sep 11 2022

web pdf epub kindle print metaxas ioannis greek army officer and statesman born 12 april 1871 in ithaca greece died 29 january 1941 in athens greece ioannis metaxas was a conservative army officer and politician who influenced decision making in greece during world war i by collaborating with king constantine i

ioannis metaxas the formative years 1871 1922 peleus band 5 - Mar 17 2023

web jun 26 2023 ioannis metaxas the formative years 1871 1922 peleus band 5 by joachim g joachim vorliegenden ersten band 1871 1922 den werdegang des zukünftigen diktators rekonstruiert die quellenlage ist ausgezeichnet denn metaxas führte fast sein ganzes leben tagebuch und