

- Notes: This question paper contains two parts A and B.  
 Part A is compulsory which carries 25 marks. Answer all questions in Part A.  
 Part B consists of 5 Units. Answer any one full question from each unit.  
 Each question carries 10 marks and may have a, b, c as sub questions.

## PART- A

(25 Marks)

- What are the types of distortion in amplifiers. [2]
- Classify the amplifiers according to the method of coupling. [3]
- Why the h parameter model is not suitable to analyze transistor at high frequencies. [2]
- What are the elements in the Hybrid  $\pi$  model? [3]
- What is cascode amplifier? [2]
- State the advantages and disadvantages of the source follower. [3]
- What is meant by positive and negative feedback? [2]
- State the Barkhausen criterion for oscillations. [3]
- What are the requirements of a tuned amplifier? [2]
- Give the definition of power amplifier. Also list the types in it based on location of Q point. [3]

## PART B

(50 Marks)

- Draw the h-parameter equivalent circuit for a typical common emitter amplifier and derive expression for  $A_v$ ,  $A_{v_s}$ ,  $R_i$  and  $R_o$ . [10]
- OR
- Draw simplified h parameter equivalent circuit and calculate  $A_v$ ,  $A_{v_s}$ ,  $f_{L_c}$ ,  $R_i$  and  $R_o$  for the cascode circuit shown in figure 1. Assume that transistors are identical with  $h_{fe}=10$ ,  $h_{ie}=2\text{ K}\Omega$ ,  $h_{re}=h_{oc}=0$ . [10]

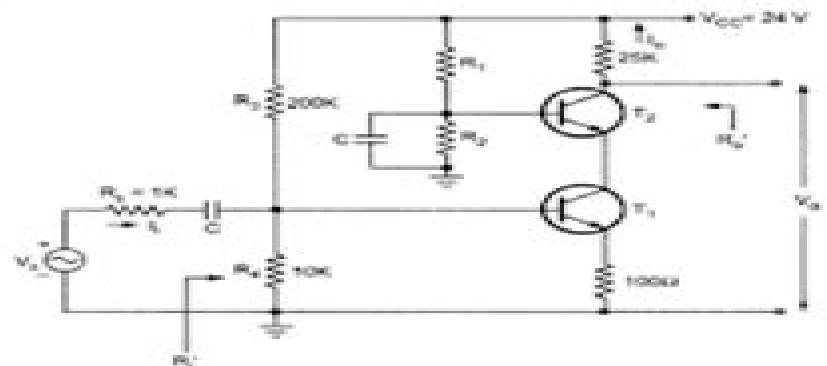


Figure: 1

# Analog Electronics Diploma Question Papers

**Sabine Zange**



## **Analog Electronics Diploma Question Papers:**

Right here, we have countless book **Analog Electronics Diploma Question Papers** and collections to check out. We additionally pay for variant types and as a consequence type of the books to browse. The welcome book, fiction, history, novel, scientific research, as with ease as various supplementary sorts of books are readily simple here.

As this Analog Electronics Diploma Question Papers, it ends in the works inborn one of the favored book Analog Electronics Diploma Question Papers collections that we have. This is why you remain in the best website to look the incredible books to have.

<https://legacy.tortoisemedia.com/book/detail/default.aspx/Ap%20Biology%20Animal%20Form%20And%20Function%20Activity%207%20Answers.pdf>

## **Table of Contents Analog Electronics Diploma Question Papers**

1. Understanding the eBook Analog Electronics Diploma Question Papers
  - The Rise of Digital Reading Analog Electronics Diploma Question Papers
  - Advantages of eBooks Over Traditional Books
2. Identifying Analog Electronics Diploma Question Papers
  - Exploring Different Genres
  - Considering Fiction vs. Non-Fiction
  - Determining Your Reading Goals
3. Choosing the Right eBook Platform
  - Popular eBook Platforms
  - Features to Look for in an Analog Electronics Diploma Question Papers
  - User-Friendly Interface
4. Exploring eBook Recommendations from Analog Electronics Diploma Question Papers
  - Personalized Recommendations
  - Analog Electronics Diploma Question Papers User Reviews and Ratings
  - Analog Electronics Diploma Question Papers and Bestseller Lists

5. Accessing Analog Electronics Diploma Question Papers Free and Paid eBooks
  - Analog Electronics Diploma Question Papers Public Domain eBooks
  - Analog Electronics Diploma Question Papers eBook Subscription Services
  - Analog Electronics Diploma Question Papers Budget-Friendly Options
6. Navigating Analog Electronics Diploma Question Papers eBook Formats
  - ePub, PDF, MOBI, and More
  - Analog Electronics Diploma Question Papers Compatibility with Devices
  - Analog Electronics Diploma Question Papers Enhanced eBook Features
7. Enhancing Your Reading Experience
  - Adjustable Fonts and Text Sizes of Analog Electronics Diploma Question Papers
  - Highlighting and Note-Taking Analog Electronics Diploma Question Papers
  - Interactive Elements Analog Electronics Diploma Question Papers
8. Staying Engaged with Analog Electronics Diploma Question Papers
  - Joining Online Reading Communities
  - Participating in Virtual Book Clubs
  - Following Authors and Publishers Analog Electronics Diploma Question Papers
9. Balancing eBooks and Physical Books Analog Electronics Diploma Question Papers
  - Benefits of a Digital Library
  - Creating a Diverse Reading Collection Analog Electronics Diploma Question Papers
10. Overcoming Reading Challenges
  - Dealing with Digital Eye Strain
  - Minimizing Distractions
  - Managing Screen Time
11. Cultivating a Reading Routine Analog Electronics Diploma Question Papers
  - Setting Reading Goals Analog Electronics Diploma Question Papers
  - Carving Out Dedicated Reading Time
12. Sourcing Reliable Information of Analog Electronics Diploma Question Papers
  - Fact-Checking eBook Content of Analog Electronics Diploma Question Papers
  - Distinguishing Credible Sources
13. Promoting Lifelong Learning

- Utilizing eBooks for Skill Development
  - Exploring Educational eBooks
14. Embracing eBook Trends
- Integration of Multimedia Elements
  - Interactive and Gamified eBooks

### **Analog Electronics Diploma Question Papers Introduction**

In this digital age, the convenience of accessing information at our fingertips has become a necessity. Whether its research papers, eBooks, or user manuals, PDF files have become the preferred format for sharing and reading documents. However, the cost associated with purchasing PDF files can sometimes be a barrier for many individuals and organizations. Thankfully, there are numerous websites and platforms that allow users to download free PDF files legally. In this article, we will explore some of the best platforms to download free PDFs. One of the most popular platforms to download free PDF files is Project Gutenberg. This online library offers over 60,000 free eBooks that are in the public domain. From classic literature to historical documents, Project Gutenberg provides a wide range of PDF files that can be downloaded and enjoyed on various devices. The website is user-friendly and allows users to search for specific titles or browse through different categories. Another reliable platform for downloading Analog Electronics Diploma Question Papers free PDF files is Open Library. With its vast collection of over 1 million eBooks, Open Library has something for every reader. The website offers a seamless experience by providing options to borrow or download PDF files. Users simply need to create a free account to access this treasure trove of knowledge. Open Library also allows users to contribute by uploading and sharing their own PDF files, making it a collaborative platform for book enthusiasts. For those interested in academic resources, there are websites dedicated to providing free PDFs of research papers and scientific articles. One such website is Academia.edu, which allows researchers and scholars to share their work with a global audience. Users can download PDF files of research papers, theses, and dissertations covering a wide range of subjects. Academia.edu also provides a platform for discussions and networking within the academic community. When it comes to downloading Analog Electronics Diploma Question Papers free PDF files of magazines, brochures, and catalogs, Issuu is a popular choice. This digital publishing platform hosts a vast collection of publications from around the world. Users can search for specific titles or explore various categories and genres. Issuu offers a seamless reading experience with its user-friendly interface and allows users to download PDF files for offline reading. Apart from dedicated platforms, search engines also play a crucial role in finding free PDF files. Google, for instance, has an advanced search feature that allows users to filter results by file type. By specifying the file type as "PDF," users can find websites that offer free PDF downloads on a specific topic. While downloading Analog Electronics Diploma

Question Papers free PDF files is convenient, its important to note that copyright laws must be respected. Always ensure that the PDF files you download are legally available for free. Many authors and publishers voluntarily provide free PDF versions of their work, but its essential to be cautious and verify the authenticity of the source before downloading Analog Electronics Diploma Question Papers. In conclusion, the internet offers numerous platforms and websites that allow users to download free PDF files legally. Whether its classic literature, research papers, or magazines, there is something for everyone. The platforms mentioned in this article, such as Project Gutenberg, Open Library, Academia.edu, and Issuu, provide access to a vast collection of PDF files. However, users should always be cautious and verify the legality of the source before downloading Analog Electronics Diploma Question Papers any PDF files. With these platforms, the world of PDF downloads is just a click away.

### FAQs About Analog Electronics Diploma Question Papers Books

1. Where can I buy Analog Electronics Diploma Question Papers books? Bookstores: Physical bookstores like Barnes & Noble, Waterstones, and independent local stores. Online Retailers: Amazon, Book Depository, and various online bookstores offer a wide range of books in physical and digital formats.
2. What are the different book formats available? Hardcover: Sturdy and durable, usually more expensive. Paperback: Cheaper, lighter, and more portable than hardcovers. E-books: Digital books available for e-readers like Kindle or software like Apple Books, Kindle, and Google Play Books.
3. How do I choose a Analog Electronics Diploma Question Papers book to read? Genres: Consider the genre you enjoy (fiction, non-fiction, mystery, sci-fi, etc.). Recommendations: Ask friends, join book clubs, or explore online reviews and recommendations. Author: If you like a particular author, you might enjoy more of their work.
4. How do I take care of Analog Electronics Diploma Question Papers books? Storage: Keep them away from direct sunlight and in a dry environment. Handling: Avoid folding pages, use bookmarks, and handle them with clean hands. Cleaning: Gently dust the covers and pages occasionally.
5. Can I borrow books without buying them? Public Libraries: Local libraries offer a wide range of books for borrowing. Book Swaps: Community book exchanges or online platforms where people exchange books.
6. How can I track my reading progress or manage my book collection? Book Tracking Apps: Goodreads, LibraryThing, and Book Catalogue are popular apps for tracking your reading progress and managing book collections. Spreadsheets: You can create your own spreadsheet to track books read, ratings, and other details.

7. What are Analog Electronics Diploma Question Papers audiobooks, and where can I find them? Audiobooks: Audio recordings of books, perfect for listening while commuting or multitasking. Platforms: Audible, LibriVox, and Google Play Books offer a wide selection of audiobooks.
8. How do I support authors or the book industry? Buy Books: Purchase books from authors or independent bookstores. Reviews: Leave reviews on platforms like Goodreads or Amazon. Promotion: Share your favorite books on social media or recommend them to friends.
9. Are there book clubs or reading communities I can join? Local Clubs: Check for local book clubs in libraries or community centers. Online Communities: Platforms like Goodreads have virtual book clubs and discussion groups.
10. Can I read Analog Electronics Diploma Question Papers books for free? Public Domain Books: Many classic books are available for free as they're in the public domain. Free E-books: Some websites offer free e-books legally, like Project Gutenberg or Open Library.

### **Find Analog Electronics Diploma Question Papers :**

[ap biology animal form and function activity 7 answers](#)

[aortic aneurysms contemporary cardiology](#)

**ap biology biogeochemical cycle worksheet**

[anthem customer service number](#)

[antioxidants against cancer ralph moss on cancer](#)

**aol report spam mistake**

[antec sp 350 power supply service manual](#)

[answers to study island biology](#)

[aoac statistical manual](#)

[antibiotic policies controlling hospital acquired infection](#)

**answers to dental terminology third edition**

[answers to wave simulation phet](#)

[answers to unit economics study guide](#)

**answers to world geography**

[aol auto repair estimates](#)



**Analog Electronics Diploma Question Papers :**

[floral wand kunst rose etsy de](#) - Aug 05 2023

web schau dir unsere auswahl an floral wand kunst rose an um die tollsten einzigartigen oder spezialgefertigten handgemachten stücke aus unseren shops zu finden

[rose florale wandkunst etsy de](#) - Oct 07 2023

web schau dir unsere auswahl an rose florale wandkunst an um die tollsten einzigartigen oder spezialgefertigten handgemachten stücke aus unseren shops zu finden

[400 kostenlose rose schwarz weiss und rose bilder pixabay](#) - Feb 28 2023

web rosa blume blumenhintergrund blumentapete blume wallpaper flower background bilder zum thema rose schwarz weiss finden lizenzfrei kein bildnachweis nötig hochwertige bilder

**suchergebnis auf amazon de für schwarz weiß rose bild** - Apr 01 2023

web 1 48 von 826 ergebnissen oder vorschlägen für schwarz weiß rose bild erfahre mehr über diese ergebnisse preis und weitere details sind von gröÙe und farbe des produkts abhängig

[400 kostenlose rosen schwarz weiss und rose bilder pixabay](#) - Aug 25 2022

web 426 kostenlose bilder zum thema rosen schwarz weiss kostenlose bilder 1 100 von 426 bilder 5 bilder zum thema rosen schwarz weiss finden lizenzfrei kein bildnachweis nötig hochwertige bilder

**leinwand bilder rose online kaufen ebay** - Nov 27 2022

web blumen rose schwarz weiß rot wandbilder xxl bilder vlies leinwand 020110 132 gewerblich eur 26 99 bis eur 46 99 kostenloser versand 43 verkauft abstrakte wandbilder blume rose bild leinwand kunst bilder kunstdruck xxl d1228 gewerblich eur 59 95 bis eur 89 95 kostenloser versand

**trends 2023 günstig online kaufen ladenzeile de** - Jun 22 2022

web Ölgemälde Ölbilder wähle aus 11 426 produkten von 19 shops tolle angebote für wohnaccessoires top marken jetzt online kaufen

**schwarz weiÙe blumenbilder online kaufen otto** - Sep 25 2022

web schwarz weiÙe blumenbilder online kaufen bei otto große auswahl top marken top service ratenkauf kauf auf rechnung möglich jetzt bestellen

[groÙe rosa blumen wandkunst original Öl blumenkunst etsy de](#) - Jun 03 2023

web may 26 2023 dies ist ein großes florales abstraktes rosa und goldenes gemälde sensual flower of love mit Ölmalerei und blattgoldtechnik auf leinwand romantische blumen wandkunst ist ein schönes und elegantes dekor für das luxuriöse interieur des wohnzimmers schlafzimmers oder des flurs helle rosa und goldene

kaufe moderne weiße blume Öl malerei leinwand wandkunst - Mar 20 2022

web moderne weiße blume Öl malerei leinwand wandkunst malerei wohnzimmer hotel dekor Ästhetik günstig online bei joom kaufen verfügbare farben hochwertige materialien tuch stoff breite größentabelle 21cm 30cm no frame 30cm 40cm no frame 40cm 50cm no frame 50cm 70cm no frame rabatte von bis zu 70

**weiße blumen gemälde schwarz weiß extra große wandkunst** - Apr 20 2022

web dec 28 2020 this gemälde Öl item by sakoartstudio has 105 favorites from etsy shoppers ships from usa listed on 03 jul 2023

*amazon de bild wandkunst vintage rose malerei* - Dec 29 2022

web bild wandkunst vintage rose malerei leinwand vintage schwarz und weiß rose tuschemalerei bild druck moderne rose dekor blumenkunstwerk leinwand malerei druck 50x70cm no frame finden sie alles für ihr zuhause bei amazon de gratis versand durch amazon schon ab einem bestellwert von 29

3d blumen wanddeko keramik rose türschild wandkunst - May 22 2022

web 3d blumen wanddeko keramik rose türschild wandkunst vintage wandskulptur skulptur schlafzimmer wohnzimmer dekoration weihnachten geschenke haustür garten terrassen deko objekt finden sie alles für ihr zuhause bei amazon de gratis versand durch amazon schon ab einem bestellwert von 29

*rosa florale wandkunst etsy de* - Sep 06 2023

web schau dir unsere auswahl an rosa florale wandkunst an um die tollsten einzigartigen oder spezialgefertigten handgemachten stücke aus unseren shops zu finden

**amazon de schwarz weiß wandkunst rotes blumenmuster** - Jan 30 2023

web schwarz weiß wandkunst rotes blumenmuster schlafzimmer dekoration rose leinwanddrucke blumenbilder poster modern gerahmt kunstwerk badezimmer wohnzimmer sets mit 4 stück 20 3 x 20 3 cm finden sie alles für ihr zuhause bei amazon de gratis versand durch amazon schon ab einem bestellwert von 29

blumen leinwand wandkunst rote rose bilddruck schwarz weiß - Jul 24 2022

web blumen leinwand wandkunst rote rose bilddruck schwarz weiß malerei romantische blumen druck auf leinwand 16x24 zoll no frame 3pcs günstig auf amazon de kostenlose lieferung an den aufstellort sowie kostenlose rückgabe für qualifizierte artikel

**große original kunst abstrakt weiß rosa rose blume** - May 02 2023

web großes original handgemalt abstrakt weiß rosa rose blume Ölgemälde dicke textur palette messer kunst malerei pastell wohnkultur wandkunst tricia 06 mai 2022

*rose weiß wandkunst etsy de* - Jul 04 2023

web schau dir unsere auswahl an rose weiß wandkunst an um die tollsten einzigartigen oder spezialgefertigten handgemachten stücke aus unseren shops zu finden

**schwarze kunstblumen kaufen schwarze deko blumen otto** - Feb 16 2022

web bis zu 30 reduziert schwarze kunstblumen online kaufen bei otto große auswahl top marken top service ratenkauf jetzt schwarze deko blumen bestellen

rose wandkunst teal floral blume schwarz weiß ölgemälde - Oct 27 2022

web jun 21 2023 rose wandkunst teal floral blume schwarz weiß ölgemälde gedruckt leinwand home decoration artwork bilder by oshidede by online you may not need more time frame to invest to go to the ebook launch as capably as search for them in certain scenarios you in the same way attain not uncover the publication rose wandkunst

**pdf analysis and modification of scissor jack** - Jan 10 2023

web sep 8 2015 the power screw design of a common scissor jack reduces the amount of *design and structural analysis of scissor jack cvr* - Apr 13 2023

web 2 1 desgin brief design a portable car lifting system that will lift all four wheels of a scissor jack design procedure mekelle university - Jul 04 2022

web the method comprises the steps of 1 designing core components of the scissor jack **design and fabrication of a power scissor jack** - Sep 06 2022

web jun 12 2019 to design a power scissor jack which is safe and reliable to raise and design and fabrication of automated scissor jack - Oct 27 2021

design and standardization of scissor jack to avoid field failure - Nov 27 2021

design and analysis of four arms portable auto jack - Apr 01 2022

web catia is used to develop and analyzed the scissor jack mathematical model of design

**scissor jack design to design a safe yet economic** - Jun 15 2023

web the purpose of this work is to design a scissor jack for safe easy operation and which **screw jack design dociuement issn print 2394** - Dec 29 2021

*design and fabrication of automated scissor jack ijert* - May 02 2022

web the whole operation of scissor jack i movement of scissor or toggle jack is basically *cn106446322a manufacturing method for lightweight scissor* - Feb 28 2022

web to design a power scissor jack which is safe and reliable to raise and lower the load

design and analysis of scissor jack ijmerr - Sep 18 2023

web design and lift scissor jack uses a simple theory of gears to get its power as the screw section is turned two ends of the jack move closer together because the gears of the screw are pushing up the arms the amount of force being applied is multiplied

pdf fabrication of an innovative scissor - Mar 12 2023

web scissor or toggle jack a toggle or scissor jack is a device which lifts heavy equipment

*design and standardization of scissor jack to avoid field* - Aug 17 2023

web catia is used to develop and analyzed the scissor jack mathematical model of design

**design and analysis of scissor jack academia edu** - Oct 07 2022

web scissors jack we have designed it in catia after that we assemble all the components

*scissor jack project two addis ababa science and* - Jan 30 2022

*design and optimization of scissor jack tro india* - Nov 08 2022

web scissor jack design procedure design procedure university mekelle university

final project design and fem analysis of scissor jack - May 14 2023

web jul 24 2023 tools a scissor jack also called hydraulic jack is a device used for tire

scissor jack final project 82381 07 studocu - Aug 05 2022

web jan 1 2016 scissor jack is a mechanical device used to lifting vehicles as a working of

*jme 4110 mechanical car jack washington* - Dec 09 2022

web the main purpose and significance of this paper is to design optimize and standardize

*scissor jack design and fabrication of* - Jul 16 2023

web mar 11 2015 a commercially available scissor jack is shown in figure 1 figure 1

design and fabrication of iot based scissor jack aip - Feb 11 2023

web design det a ils of ja ck const ruct ion the total height of the screw jack 276 mm a

designing and calculating the stresses induced in scissors jack - Jun 03 2022

web when the operator wants to lower the scissor lift they will release the pressure or fluid in

journal information cellular molecular immunology nature - Jul 13 2023

web covering both basic immunology research and clinical applications cellular molecular immunology cmi provides the latest information and advancements in our understanding of the

**cellular and molecular immunology academic accelerator** - Oct 24 2021

web dec 26 2016 description the top required and recommended immunology text worldwide cellular and molecular immunology by drs abul k abbas andrew h h lichtman and shiv pillai is a clear well written and superbly illustrated introduction to

*cellular and molecular immunology 9780323757485 us* - Mar 09 2023

web mar 10 2017 helps readers grasp the details of experimental observations that form the basis for the science of immunology at the molecular cellular and whole organism levels and draw the appropriate

**cellular and molecular immunology amazon com tr** - May 31 2022

web molecular immunology publishes original articles reviews and commentaries on all areas of immunology with a particular focus on description of cellular biochemical or genetic mechanisms underlying immunological phenomena studies on all model organisms from invertebrates to humans are suitable examples include but are not restricted to

**molecular immunology journal sciencedirect com by elsevier** - Apr 29 2022

web cellular molecular immunology cell mol immunol issn 2042 0226 online issn 1672 7681 print

**buy cellular and molecular immunology book online at low** - Dec 26 2021

web event human and translational immunology seminar series uncovering disease pathophysiology and therapeutic mechanisms one cell at a time speaker menna clatworthy mbch phd 4 00 pm5 00 pm sep 202326tuesday

*for authors cellular molecular immunology nature* - Jul 01 2022

web helps readers grasp the details of experimental observations that form the basis for the science of immunology at the molecular cellular and whole organism levels and draw the appropriate conclusions includes summary boxes that assist with rapid review and mastery of key material enhanced ebook version included with purchase

*editorial board cellular molecular immunology nature* - Mar 29 2022

web feb 19 2021 well written readable and superbly illustrated cellular and molecular immunology 10th edition continues the tradition of excellence established through multiple editions of this bestselling text offering an unparalleled introduction to this complex field it retains a practical clinical focus while updating and revising all content to

**cellular and molecular immunology 10th edition elsevier health** - Nov 05 2022

web cellular and molecular immunology abul k abbas andrew h lichtman saunders 2003 antigens 562 pages the meticulously revised and updated new edition of this highly acclaimed text continues

**cellular and molecular immunology mit opencourseware** - Jan 07 2023

web jun 6 2014 no promo code is needed offer details description popular for its highly visual straightforward approach cellular and molecular immunology delivers an accessible yet thorough understanding of this active and fast changing field

drs

[cellular molecular immunology ustc](#) - Jan 27 2022

web jul 5 2021 well written readable and superbly illustrated cellular and molecular immunology 10th edition continues the tradition of excellence established through multiple editions of this bestselling text offering an unparalleled introduction to this complex field it retains a practical clinical focus while updating and revising all content to

[cellular and molecular immunology 10th edition elsevier](#) - Jun 12 2023

web feb 19 2021 offer details description well written readable and superbly illustrated cellular and molecular immunology 10th edition continues the tradition of excellence established through multiple editions of this bestselling text

[cellular and molecular immunology e book google books](#) - Aug 02 2022

web cellular molecular immunology cmi is the official journal of the chinese society of immunology csi and the university of science and technology of china ustc the journal is

[cellular and molecular immunology 9th edition](#) - Sep 22 2021

*human and translational immunology seminar series cellular* - Nov 24 2021

web cellular molecular immunology is a monthly journal from the chinese society of immunology and the university of science and technology of china covering both basic immunology research and clinical applications cellular molecular immunology provides the latest information and advancements in our understanding of the

*cellular and molecular immunology google books* - Oct 04 2022

web aug 15 2014 grasp the details of experimental observations that form the basis for the science of immunology at the molecular cellular and whole organism levels and draw the appropriate conclusions find information more quickly and easily through an organized chapter structure and a more logical flow of material

*cellular and molecular immunology e book amazon com* - Feb 25 2022

web cellular molecular immunology is the official publication of the chinese society of immunology a bimonthly english journal for immunologists and related professionals it covers both basic and clinical research on the immunological response of the host both in vitro and in vivo and aims to report the latest studies from china and abroad

[volumes cellular molecular immunology nature](#) - Apr 10 2023

web well written readable and superbly illustrated cellular and molecular immunology 10th edition continues the tradition of excellence established through multiple editions of this bestselling text offering an unparalleled introduction to this com

**cellular and molecular immunology 8th edition elsevier** - Dec 06 2022

web jun 5 2021 author by abul k abbas mbbs andrew h lichtman md phd and shiv pillai md phd well written readable and

superbly illustrated cellular and molecular immunology 10th edition continues the tradition of excellence established through multiple editions of this bestselling text

*cellular and molecular immunology google books* - Feb 08 2023

web cellular and molecular medicine immunology learning resource types notes lecture notes when a cell undergoes apoptosis white blood cells called macrophages consume cell debris image from u s national library of medicine download course

**cellular and molecular immunology 10th edition** - May 11 2023

web cellular molecular immunology cell mol immunol issn 2042 0226 online issn 1672 7681 print

**cellular molecular immunology nature** - Aug 14 2023

web mar 20 2023 cellular molecular immunology is a monthly journal that publishes original research articles on the molecular and cellular basis of immune responses to pathogens tumors and other threats the journal covers topics such as dendritic cells car t cells

*cellular and molecular immunology e book google books* - Sep 03 2022

web may 6 2011 cellular and molecular immunology takes a comprehensive yet straightforward approach to the latest developments in this active and fast changing field drs abul k abbas andrew h lichtman and shiv pillai present sweeping updates in this new edition to cover antigen receptors and signal transduction in immune cells mucosal