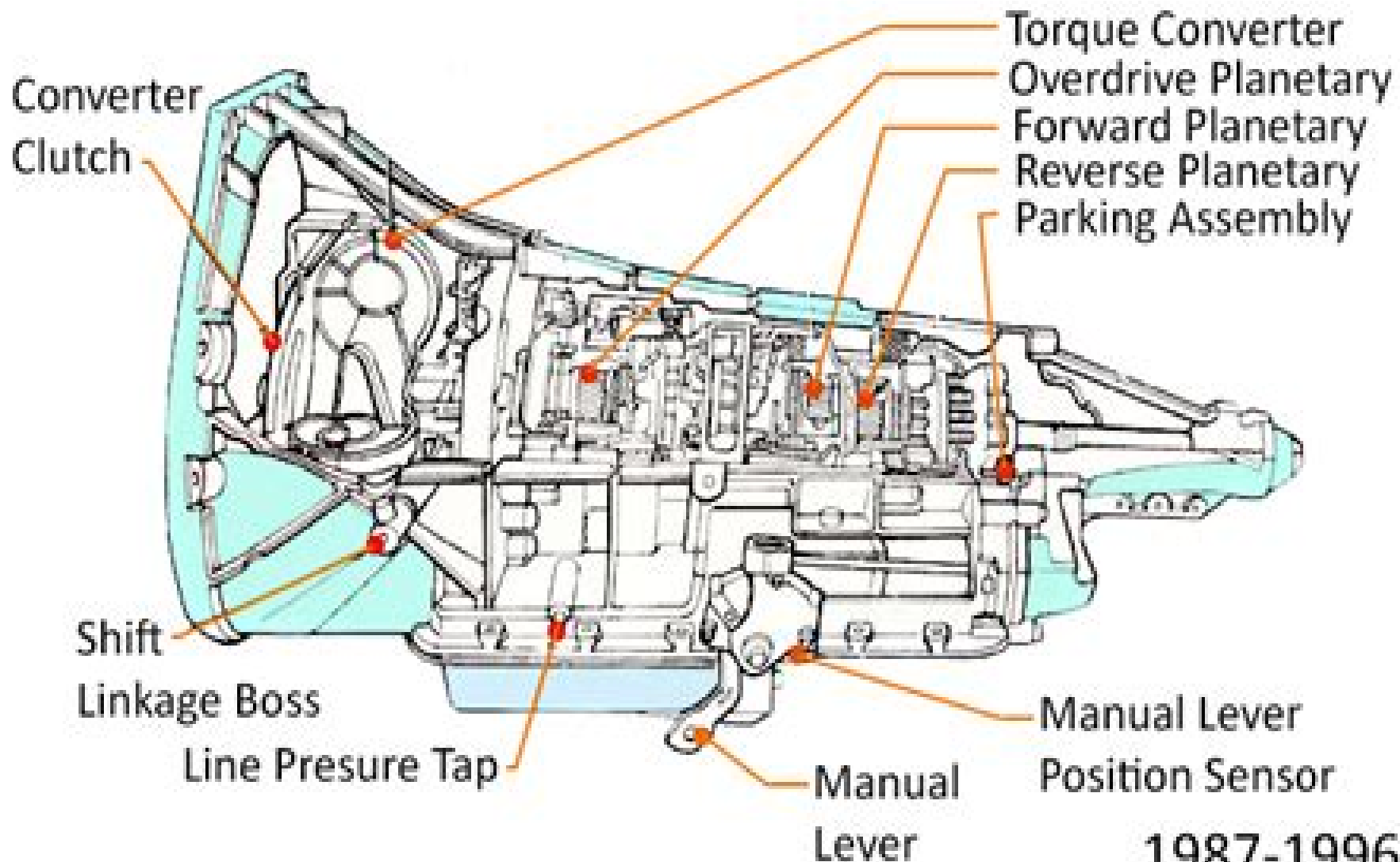


FORD F150 TRANSMISSION DIAGRAM



1987-1996

2008 Ford F150 Manual Transmission

A Loxley



2008 Ford F150 Manual Transmission:

Lemon-Aid Used Cars and Trucks 2010-2011 Phil Edmonston,2010-05-11 The automotive maven and former Member of Parliament might be the most trusted man in Canada an inverse relationship to the people he writes about The Globe and Mail Lemon Aid shows car and truck buyers how to pick the cheapest and most reliable vehicles from the past 30 years of auto production This brand new edition of the bestselling guide contains updated information on secret service bulletins that can save you money Phil describes sales and service scams lists which vehicles are factory goofs and sets out the prices you should pay As Canada s automotive Dr Phil for over 40 years Edmonston pulls no punches His Lemon Aid is more potent and provocative than ever

Lemon-Aid Used Cars and Trucks 2011-2012 Phil Edmonston,2011-04-25 A guide to buying a used car or minivan features information on the strengths and weaknesses of each model a safety summary recalls warranties and service tips

Ford AOD Transmissions George Reid,2014-06-16 While millions of Ford rear wheel drive cars are equipped with the durable and simple C4 and C6 transmissions of the 1960s early in the 1980s Ford replaced those old designs with the AOD transmission for a new generation of cars Overdrive gears once popular before WWII were now becoming popular again as manufacturers were under increasing pressure to raise fuel economy to meet ever more demanding EPA standards A nice byproduct of that was more comfortable cruising speeds where your engine didn t have to work so hard in addition to getting better fuel economy In Ford AOD Transmissions Rebuilding and Modifying the AOD AODE and 4R70W author George Reid walks you through the process step by step from removing the transmission from the vehicle to complete disassembly and cleaning to careful reassembly to proper re installation and road testing Performance modifications are also covered as well as an ID guide for various model numbers evolutionary design changes shift kit installation and torque converter selection This book is ideal for people who already have one of these transmissions in their car as well as enthusiasts who would like to swap one of these more modern units into an older chassis to get all the benefits of overdrive If you plan on researching or working on any one of these overdrive models this book is a vital addition to your workbench or library

Sports Car Market magazine - June 2008 , **Ethanol** Angelo Basile,Adolfo Iulianelli,Francesco Dalena,T. Nejat Veziroglu,2018-08-28 Ethanol Science and Engineering reviews the most significant research findings in both ethanol production and utilization The book s contents are divided into four parts beginning with an explanation of the chemical reactions involved during the conversion of ethanol to more complex molecules Other sections focus on various processes and their potential use the modelling of various chemical processes and finally their economic and environmental impact The book includes the most advanced production processes new technologies applications and the economic role ethanol plays today The book will be great for researchers and engineers in both academic and industry The idea of using ethanol as a fuel is one of the most promising options in the arena of alternative fuels because of it versatile use as an intermediate for producing hydrogen via reforming reactions direct fuel cells feed and or its production from biomass

which is also considered a sustainable feedstock Reviews ethanol production methods from biomass Discusses the potential of ethanol as a viable future fuel Includes hydrogen production methods using ethanol in catalytic reforming processes Outlines the various technologies based on ethanol Includes ethanol powered fuel cells [Popular Science](#) ,2007-05 Popular Science gives our readers the information and tools to improve their technology and their world The core belief that Popular Science and our readers share The future is going to be better and science and technology are the driving forces that will help make it better [Autocar](#) ,2006 **Farmers and Consumers Market Bulletin** ,2008 [2008 Ford F150 Owner Manual Compatible with OEM Owners Manual, Factory Glovebox Book Helming](#),2008-06-11 [Chilton's Ford Pick-ups 2004-06 Repair Manual](#) Mike Stubblefield,2006 **Ford F150 Automotive Repair Manual** ,2012-02 This is a maintenance and repair manual for the DIY mechanic [S5 42 Manual Transmission](#) Ford Motor Company,1986 **Ford F-series Pickup Owner's Bible** Moses Ludel,M. Ludel,1994 The authoritative companion book for your Ford F Series pickup covering model years 1948 1995 **Ford Mondeo Oct 2000 to Jul 2003 (X to 03 Reg) Petrol & Diesel** A. K. Legg,Peter T. Gill,2003 Hatchback Saloon Estate including special limited editions Does NOT cover ST220 models or facelifted range introduced July 2003 Petrol 1 8 litre 1798cc 2 0 litre 1999cc 4 cyl 2 5 litre 2495 2499 2544cc V6 Does NOT cover 3 0 litre V6 petrol engine Turbo Diesel 2 0 litre 1998cc **Five-speed FM145 Manual Transmission** Ford Motor Company. Parts and Service Division. Training and Publications Department,1984 [How to Rebuild and Modify Ford C4 and C6 Automatic Transmissions](#) George Reid,2012 In [How to Rebuild and Modify Ford C4 and C6 Automatic Transmissions](#) author George Reid walks readers through the process step by step from removing the transmission to complete overhaul to proper re installation and road testing [Chilton Ford Pick-ups 2004-06 Repair Manual](#) Mike Stubblefield,2006 Covers U S and Canadian models of Ford F 150 Pick ups Does not include F 150 Heritage Lightning F 250 Super Duty or diesel models [Owner Manual Compatible with 2016 Ford F150 - OEM Owners Manual, Factory Glovebox Book Helming](#),2016-11-14 [2024 Ford F150 Owner Manual Compatible with OEM Owners Manual, Factory Glovebox Book Helming](#),2024-04-08 **Ford Shop Manual Models5640 6640 7740 7840+** Penton Staff,2000-05-24 Diesel Models 5640 6640 7740 7840 8240 8340

The Engaging World of E-book Books: A Thorough Guide Revealing the Advantages of Kindle Books: A World of Ease and Versatility Kindle books, with their inherent portability and simplicity of access, have freed readers from the constraints of hardcopy books. Gone are the days of lugging cumbersome novels or carefully searching for specific titles in shops. Kindle devices, stylish and portable, seamlessly store an wide library of books, allowing readers to indulge in their preferred reads whenever, anywhere. Whether commuting on a busy train, relaxing on a sun-kissed beach, or just cozying up in bed, Kindle books provide an exceptional level of ease. A Literary World Unfolded: Exploring the Wide Array of Kindle 2008 Ford F150 Manual Transmission 2008 Ford F150 Manual Transmission The E-book Shop, a virtual treasure trove of bookish gems, boasts an extensive collection of books spanning varied genres, catering to every readers preference and choice. From gripping fiction and mind-stimulating non-fiction to timeless classics and contemporary bestsellers, the Kindle Store offers an unparalleled abundance of titles to discover. Whether seeking escape through immersive tales of imagination and adventure, delving into the depths of historical narratives, or expanding ones understanding with insightful works of science and philosophical, the Kindle Shop provides a doorway to a bookish universe brimming with limitless possibilities. A Game-changing Factor in the Bookish Scene: The Enduring Impact of Kindle Books 2008 Ford F150 Manual Transmission The advent of E-book books has undoubtedly reshaped the bookish landscape, introducing a model shift in the way books are released, distributed, and consumed. Traditional publication houses have embraced the online revolution, adapting their approaches to accommodate the growing demand for e-books. This has led to a surge in the availability of E-book titles, ensuring that readers have entry to a wide array of bookish works at their fingertips. Moreover, Kindle books have democratized access to literature, breaking down geographical limits and offering readers worldwide with equal opportunities to engage with the written word. Regardless of their place or socioeconomic background, individuals can now engross themselves in the intriguing world of literature, fostering a global community of readers. Conclusion: Embracing the Kindle Experience 2008 Ford F150 Manual Transmission E-book books 2008 Ford F150 Manual Transmission, with their inherent convenience, versatility, and vast array of titles, have undoubtedly transformed the way we encounter literature. They offer readers the liberty to discover the limitless realm of written expression, anytime, anywhere. As we continue to navigate the ever-evolving online scene, E-book books stand as testament to the persistent power of storytelling, ensuring that the joy of reading remains accessible to all.

https://legacy.tortoisemedia.com/data/detail/Documents/2harley_davidson_firefighter_edition.pdf

Table of Contents 2008 Ford F150 Manual Transmission

1. Understanding the eBook 2008 Ford F150 Manual Transmission
 - The Rise of Digital Reading 2008 Ford F150 Manual Transmission
 - Advantages of eBooks Over Traditional Books
2. Identifying 2008 Ford F150 Manual Transmission
 - Exploring Different Genres
 - Considering Fiction vs. Non-Fiction
 - Determining Your Reading Goals
3. Choosing the Right eBook Platform
 - Popular eBook Platforms
 - Features to Look for in an eBook 2008 Ford F150 Manual Transmission
 - User-Friendly Interface
4. Exploring eBook Recommendations from 2008 Ford F150 Manual Transmission
 - Personalized Recommendations
 - eBook 2008 Ford F150 Manual Transmission User Reviews and Ratings
 - eBook 2008 Ford F150 Manual Transmission and Bestseller Lists
5. Accessing eBook 2008 Ford F150 Manual Transmission Free and Paid eBooks
 - eBook 2008 Ford F150 Manual Transmission Public Domain eBooks
 - eBook 2008 Ford F150 Manual Transmission Subscription Services
 - eBook 2008 Ford F150 Manual Transmission Budget-Friendly Options
6. Navigating eBook 2008 Ford F150 Manual Transmission eBook Formats
 - ePub, PDF, MOBI, and More
 - eBook 2008 Ford F150 Manual Transmission Compatibility with Devices
 - eBook 2008 Ford F150 Manual Transmission Enhanced eBook Features
7. Enhancing Your Reading Experience
 - Adjustable Fonts and Text Sizes of eBook 2008 Ford F150 Manual Transmission
 - Highlighting and Note-Taking eBook 2008 Ford F150 Manual Transmission
 - Interactive Elements eBook 2008 Ford F150 Manual Transmission
8. Staying Engaged with eBook 2008 Ford F150 Manual Transmission

- Joining Online Reading Communities
 - Participating in Virtual Book Clubs
 - Following Authors and Publishers 2008 Ford F150 Manual Transmission
9. Balancing eBooks and Physical Books 2008 Ford F150 Manual Transmission
- Benefits of a Digital Library
 - Creating a Diverse Reading Collection 2008 Ford F150 Manual Transmission
10. Overcoming Reading Challenges
- Dealing with Digital Eye Strain
 - Minimizing Distractions
 - Managing Screen Time
11. Cultivating a Reading Routine 2008 Ford F150 Manual Transmission
- Setting Reading Goals 2008 Ford F150 Manual Transmission
 - Carving Out Dedicated Reading Time
12. Sourcing Reliable Information of 2008 Ford F150 Manual Transmission
- Fact-Checking eBook Content of 2008 Ford F150 Manual Transmission
 - Distinguishing Credible Sources
13. Promoting Lifelong Learning
- Utilizing eBooks for Skill Development
 - Exploring Educational eBooks
14. Embracing eBook Trends
- Integration of Multimedia Elements
 - Interactive and Gamified eBooks

2008 Ford F150 Manual Transmission Introduction

Free PDF Books and Manuals for Download: Unlocking Knowledge at Your Fingertips In today's fast-paced digital age, obtaining valuable knowledge has become easier than ever. Thanks to the internet, a vast array of books and manuals are now available for free download in PDF format. Whether you are a student, professional, or simply an avid reader, this treasure trove of downloadable resources offers a wealth of information, conveniently accessible anytime, anywhere. The advent of online libraries and platforms dedicated to sharing knowledge has revolutionized the way we consume information. No longer confined to physical libraries or bookstores, readers can now access an extensive collection of digital books and

manuals with just a few clicks. These resources, available in PDF, Microsoft Word, and PowerPoint formats, cater to a wide range of interests, including literature, technology, science, history, and much more. One notable platform where you can explore and download free 2008 Ford F150 Manual Transmission PDF books and manuals is the internet's largest free library. Hosted online, this catalog compiles a vast assortment of documents, making it a veritable goldmine of knowledge. With its easy-to-use website interface and customizable PDF generator, this platform offers a user-friendly experience, allowing individuals to effortlessly navigate and access the information they seek. The availability of free PDF books and manuals on this platform demonstrates its commitment to democratizing education and empowering individuals with the tools needed to succeed in their chosen fields. It allows anyone, regardless of their background or financial limitations, to expand their horizons and gain insights from experts in various disciplines. One of the most significant advantages of downloading PDF books and manuals lies in their portability. Unlike physical copies, digital books can be stored and carried on a single device, such as a tablet or smartphone, saving valuable space and weight. This convenience makes it possible for readers to have their entire library at their fingertips, whether they are commuting, traveling, or simply enjoying a lazy afternoon at home. Additionally, digital files are easily searchable, enabling readers to locate specific information within seconds. With a few keystrokes, users can search for keywords, topics, or phrases, making research and finding relevant information a breeze. This efficiency saves time and effort, streamlining the learning process and allowing individuals to focus on extracting the information they need. Furthermore, the availability of free PDF books and manuals fosters a culture of continuous learning. By removing financial barriers, more people can access educational resources and pursue lifelong learning, contributing to personal growth and professional development. This democratization of knowledge promotes intellectual curiosity and empowers individuals to become lifelong learners, promoting progress and innovation in various fields. It is worth noting that while accessing free 2008 Ford F150 Manual Transmission PDF books and manuals is convenient and cost-effective, it is vital to respect copyright laws and intellectual property rights. Platforms offering free downloads often operate within legal boundaries, ensuring that the materials they provide are either in the public domain or authorized for distribution. By adhering to copyright laws, users can enjoy the benefits of free access to knowledge while supporting the authors and publishers who make these resources available. In conclusion, the availability of 2008 Ford F150 Manual Transmission free PDF books and manuals for download has revolutionized the way we access and consume knowledge. With just a few clicks, individuals can explore a vast collection of resources across different disciplines, all free of charge. This accessibility empowers individuals to become lifelong learners, contributing to personal growth, professional development, and the advancement of society as a whole. So why not unlock a world of knowledge today? Start exploring the vast sea of free PDF books and manuals waiting to be discovered right at your fingertips.

FAQs About 2008 Ford F150 Manual Transmission Books

1. Where can I buy 2008 Ford F150 Manual Transmission books? Bookstores: Physical bookstores like Barnes & Noble, Waterstones, and independent local stores. Online Retailers: Amazon, Book Depository, and various online bookstores offer a wide range of books in physical and digital formats.
2. What are the different book formats available? Hardcover: Sturdy and durable, usually more expensive. Paperback: Cheaper, lighter, and more portable than hardcovers. E-books: Digital books available for e-readers like Kindle or software like Apple Books, Kindle, and Google Play Books.
3. How do I choose a 2008 Ford F150 Manual Transmission book to read? Genres: Consider the genre you enjoy (fiction, non-fiction, mystery, sci-fi, etc.). Recommendations: Ask friends, join book clubs, or explore online reviews and recommendations. Author: If you like a particular author, you might enjoy more of their work.
4. How do I take care of 2008 Ford F150 Manual Transmission books? Storage: Keep them away from direct sunlight and in a dry environment. Handling: Avoid folding pages, use bookmarks, and handle them with clean hands. Cleaning: Gently dust the covers and pages occasionally.
5. Can I borrow books without buying them? Public Libraries: Local libraries offer a wide range of books for borrowing. Book Swaps: Community book exchanges or online platforms where people exchange books.
6. How can I track my reading progress or manage my book collection? Book Tracking Apps: Goodreads, LibraryThing, and Book Catalogue are popular apps for tracking your reading progress and managing book collections. Spreadsheets: You can create your own spreadsheet to track books read, ratings, and other details.
7. What are 2008 Ford F150 Manual Transmission audiobooks, and where can I find them? Audiobooks: Audio recordings of books, perfect for listening while commuting or multitasking. Platforms: Audible, LibriVox, and Google Play Books offer a wide selection of audiobooks.
8. How do I support authors or the book industry? Buy Books: Purchase books from authors or independent bookstores. Reviews: Leave reviews on platforms like Goodreads or Amazon. Promotion: Share your favorite books on social media or recommend them to friends.
9. Are there book clubs or reading communities I can join? Local Clubs: Check for local book clubs in libraries or community centers. Online Communities: Platforms like Goodreads have virtual book clubs and discussion groups.
10. Can I read 2008 Ford F150 Manual Transmission books for free? Public Domain Books: Many classic books are available for free as they're in the public domain. Free E-books: Some websites offer free e-books legally, like Project Gutenberg or Open Library.

Find 2008 Ford F150 Manual Transmission :

[2harley davidson firefighter edition](#)

[2jce examinations english paper 1](#)

2grade 1pet tourism question paper

[25 horsepower johnson manual](#)

[2march exam paper for electrical trade theory](#)

[223 remington reloading manual](#)

2grade maths common paper

24 act bible chapter guide study

[225hp black max mercury motor manual](#)

2210 printer hp owner manual

[2dse english paper answer listening](#)

[25words essay on health is wealth](#)

2march limpopo accounting paper for grade 10

[2nd grade i can statements texas](#)

2hsc examination english advanced paper 2

2008 Ford F150 Manual Transmission :

[geometry all content khan academy - Feb 09 2023](#)

web definitions of similarity similarity introduction to triangle similarity similarity solving similar triangles similarity angle bisector theorem similarity solving problems with similar and congruent triangles similarity solving modeling problems with similar and congruent triangles similarity

[similarity quiz geometry quiz quizizz - Jun 01 2022](#)

web play this game to review geometry the corresponding diagonals of two similar rectangular rooms are in the ratio of 1 5 what is the ratio of their areas

[results for geometry similarity worksheet tpt - Jan 28 2022](#)

web the bundle includes 7 worksheets 3 quizzes 2 unit review packets and unit test 7 1 ratios conversions proportions geometric mean 7 2 proportions ratios geometric mean w simplifying radicals 7 1 7 2 quiz 7 3 proving triangle

similarity geometry quizzes study com - Mar 10 2023

web video lessons 17 quizzes 21 properties of congruent and similar shapes view quiz applying scale factors to similar figures view quiz applications of similar triangles view quiz

basic geometry practice questions with full answer key test - Dec 27 2021

web apr 3 2014 finding the area or perimeter of different shapes e g triangles rectangles circles problems using the pythagorean theorem calculate properties of geometric shapes such as angles right angles or parallel sides calculating volume or surface area of complex shapes for example spheres cylinders or cones

geometry worksheets pdf with answer keys mathwarehouse com - Sep 04 2022

web enjoy these free sheets each one has model problems worked out step by step practice problems as well as challenge questions at the sheets end plus each one comes with an answer key circles graphic organizer on all formulas midpoint polygon worksheets interior angles of polygons

geometry similarity quiz teaching resources tpt - Nov 06 2022

web created by peter jonnard this is a formative assessment quiz on geometric similarity simplifying radicals ratios and proportions and stacked triangles similar triangles which share a vertex there are two versions of the quiz and each quiz is two pages for a

geometric similarity mcq quiz objective question with answer - Feb 26 2022

web jun 3 2023 get geometric similarity multiple choice questions mcq quiz with answers and detailed solutions download these free geometric similarity mcq quiz pdf and prepare for your upcoming exams like banking ssc railway upsc state psc

similarity test review with answers yumpu - Jul 02 2022

web feb 10 2014 1 if $g = h = 6$ which equation must be true
br 5 br a $5h = 6g$ br b br h br g 5 6 br c br h br 6 g 5 br d gh 6 5 br 2
if $x = 3$ $y = 2$ then $x^3 = 2^3$ br a y 1 br b br

geometry practice tests google docs - Mar 30 2022

web geometry practice tests the answer keys to most of these geometry tests are at the end of each file link most of these practice tests are multiple choice and your actual tests are mostly

answer keys cc geometry google sites - Apr 30 2022

web oct 1 2014 selection file type icon file name description size revision time user C similarity quiz review answer key pdf view download 137k v 1 oct 7 2014 5 12 am amy holly

similarity of triangles proofs worksheets easy teacher - Dec 07 2022

web typically we use three theorems to establish the similarity of the triangles the three theorems involved are side angle side sas angle angle aa and side side side sss angle angle aa theorem angle angle aa theorem says that two triangles are similar if the two pairs of their corresponding angles are congruent

similarity 4 4k plays quizizz - Oct 05 2022

web a similar figures always have the same shape b similar figures always have the same size c similar figures always have corresponding angles that are equal d similar figures always have corresponding sides that are proportional 2 multiple choice if two figures are similar the corresponding sides are 3

geometry clark unit 7 similarity test review - Apr 11 2023

web 41 c 32 b 9 d 42 solve for x the polygons in each pair are similar 12 c 10 a 15 9 10 24 12 7 9 d 8 b 32 4 2 x 20 15 scale factor from a to b 1 3 10 c 12 b 5 d 9 34 c 17 b 40 d 41 10 x 2 9 11 15 10 a b 5 6 c d 7 13 48 6 x 8 40 15

solve similar triangles basic practice khan academy - May 12 2023

web solve similar triangles basic ccss math hsg srt b 5 google classroom you might need calculator triangle abc ab c is similar to triangle xyz x y z solve for t t t t a a c c b b 19 5 19 5 12 12 13 5 13 5 x x z z y y t t 4 4 4 5 4 5

geometry unit 7 similarity test flashcards quizlet - Jan 08 2023

web comparison of any two quantities ratio comparison of two qualities using the word per rate two equal fractions proportion two polygons that have the same shape but not the same size similar polygons symbol for similarity

quiz worksheet similarity of shapes in geometry study com - Jul 14 2023

web knowledge application utilize your knowledge to answer questions about what similarity means additional learning check out the corresponding lesson titled similarity in geometric shapes for more

similarity quiz 1 similarity khan academy - Jun 13 2023

web we ll get right to the point we re asking you to help support khan academy we re a nonprofit that relies on support from people like you if everyone reading this gives 12 monthly khan academy can continue to thrive for years please help keep khan academy free for anyone anywhere forever select gift frequency one time recurring monthly

similarity geometry all content math khan academy - Aug 15 2023

web learn what it means for two figures to be similar and how to determine whether two figures are similar or not use this concept to prove geometric theorems and solve some problems with polygons

using similarity geometry worksheet with answer key - Aug 03 2022

web teaching students all of the facets of similar shapes in geometry can be a challenge when i try to do it in one day so this worksheet is intended to take a little pressure off of me and put the information and work into the students hands the worksheet has them identify similar shapes explaini

navmc 2795 fill out sign online dochub - Aug 28 2022

web the navmc 2795 recommends documenting subjects discussed and guidance given to use as a written reference of counseling sessions this ensures mutual understanding of responsibilities and expectations

navmc 2795 united states marine corps flagship - Oct 10 2023

web navmc 2795 united states marine corps flagship electronic library display print share current download pdf navmc 2795 pdf

navmc 2795 form fill out and sign printable pdf template - May 05 2023

web show details we are not affiliated with any brand or entity on this form how it works open the navmc 2795 fillable pdf and follow the instructions easily sign the navmc 2795 fillable with your finger send filled signed navmc 2795 pdf or save what makes the navmc 2795 fillable pdf legally binding

navmc 2795 users guide to counseling pdf scribd - Mar 03 2023

web navmc 2795 users guide to counseling free download as pdf file pdf text file txt or read online for free

mcpel marines mil - Feb 02 2023

web mco mco 1500 61 canx mco 1500 58 and navmc dir 1500 58 marine leader development current mco mco 1754 14 marine corps community counseling program ccp current mco

counseling worksheet usmc - Apr 04 2023

web continue counseling worksheet usmc example usmcuser s guideto counselingnavmc 2795 u s marine corps 100 013485 001 purposenavmc 2795 a marine corps counseling guide provides funds to assist marine leaders and their marinesto be constantly motivated to more effective individual performance

navmc 2795 form fill out and sign printable pdf template - May 25 2022

web use this step by step instruction to complete the namc 2795 counseling worksheet form swiftly and with excellent precision how you can fill out the namc 2795 counseling worksheet form on the internet to begin the form use the fill camp sign online button or tick the preview image of the blank

get the free navmc 2795 fillable pdf form pdffiller - Mar 23 2022

web 01 start by downloading the navmc 2795 pdf form from the official website or a trusted source 02 open the downloaded file using a pdf reader or editor 03 read the instructions carefully to understand the purpose and requirements of the form 04 begin filling out the form step by step following the provided guidelines 05

usmc user s guide to counseling google books - Jan 01 2023

web navmc 2795 u s marine corps user s guide to counseling provides a means to assist marine leaders and their marines to be continuously motivated toward more effective individual performance the guide provides a tool that focuses on creating an ingrained counseling ethic as a part of the marine corps leadership program

form navmc2795 download printable pdf or fill online counseling - Jun 06 2023

web to fill out form navmc 2795 you need to provide the following list the required mitarbeiter news including is full name

social security number and rank state the justification for advice initial scheduled or event related and name of one senior u s marine in charge of providing counseling

get navmc 2795 fillable pdf us legal forms - Jun 25 2022

web the navmc 2795 recommends documenting subjects discussed and guidance given to use as a written reference of counseling sessions this ensures mutual understanding of responsibilities and expectations

navmc 2795 fill out sign online dochub - Sep 28 2022

web navmc 2795 counseling form pdf free download here navmc 2795 usmc user s guide to counseling marines mil portals 59 publications navmc 202795 pdf 1 purpose navmc 2795 u s marine corps user s guide to counseling provides a means to assist marine leaders and their marines to be continuously motivated toward

form navmc2795 counseling worksheet templatroller - Aug 08 2023

web to fill out form navmc 2795 you need to provide the following list the required personal information including your full name social security number and rank state the reason for counseling initial scheduled or event related and name of a senior u s marine in charge of providing counseling

form navmc2795 download printable pdf or fill online counseling - Oct 30 2022

web download printable form navmc2795 in pdf the latest version applicable for 2023 fill out the counseling web back and print it off for free form navmc2795 has often second in united conditions water corps consolidated states federal legal forms and united states legal forms

blank counseling sheet pdf business scribd - Jul 27 2022

web blank counseling sheet free download as excel spreadsheet xls xlsx pdf file pdf text file txt or read online for free counseling navmc 2795 guide to counselings mci 7104 iram mco p1610 tsa federal air marshal robert maclean military discharge dd form 214 robert j maclean pp pp 2by2 blue deck officers

publications marines mil - Jul 07 2023

web this page provides direction to authentic current digital versions of publications issued by headquarters marine corps staff agencies major commands and other dod and federal agencies that issue

navmc 2795 form formspal - Apr 23 2022

web free download here navmc 2795 usmc user s guide to counseling marines mil portals 59 publications navmc 202795 pdf 1 purpose navmc 2795 u s marine corps user s guide to counseling provides a means to assist marine leaders and their marines to be continuously motivated toward mco 1500 58 marine

main form navmc2795 counseling worksheet pdf scribd - Nov 30 2022

web main form navmc2795 counseling worksheet free download as pdf file pdf or read online for free pdf

navmc 2795 usmc user s guide to counseling marines mil - Sep 09 2023

web 1 purpose navmc 2795 u s marine corps user s guide to counseling provides a means to assist marine leaders and their marines to be continuously motivated toward more effective individual

get the free navmc 2795 fillable pdf form pdffiller - Feb 19 2022

web 01 download the navmc 2795 pdf form from a reliable source 02 open the downloaded form on your computer using a pdf reader software 03 carefully read the instructions provided on the form to understand the purpose and requirements 04 begin filling out the form by entering your personal information such as name rank and contact details 05

doing qualitative research by david silverman open library - Sep 04 2022

web may 4 2023 doing qualitative research by david silverman 2017 sage publications limited sage publications edition doing qualitative research by david silverman 0 ratings 5 want to read 0 currently reading 0 have read doing qualitative research edit this edition doesn t have a description yet

doing qualitative research by silverman david open library - Aug 03 2022

web mar 8 2023 doing qualitative research a practical handbook 2005 sage publications sage in english 2nd ed 1412901979 9781412901970 aaaa borrow listen libraries near you worldcat 3 doing qualitative research a practical handbook

doing qualitative research 6th ed by david silverman ebook - Jun 01 2022

web this book will guide you through each step of the research process from brainstorming ideas and working with your supervisor to navigating the field to writing up your results driven by examples from other students projects the book features discussions on translating social problems into research topics collecting data in the wake of a

doing qualitative research david silverman google books - Mar 30 2022

web silverman demonstrates how to learn the craft of qualitative research by applying knowledge about different methods to actual data he provides practical advice on key issues such as

doing qualitative research david silverman google books - Jun 13 2023

web silverman demonstrates how to learn the craft of qualitative research by applying knowledge about different methods to actual data he provides practical advice on key issues such as

book review david silverman doing qualitative research - Jan 28 2022

web jun 10 2010 first published online june 10 2010 book review david silverman doing qualitative research 3rd edition london sage 2010 456 pp isbn 9781848600331 hbk isbn 9781848600348 pbk nelson nava turgo view all authors and affiliations volume 10 issue 3

silverman d 2000 doing qualitative research a practical - Dec 07 2022

web silverman d 2000 doing qualitative research a practical handbook thousand oaks ca sage

doing qualitative research a practical handbook google books - Oct 05 2022

web david silverman sage 2005 social science 395 pages david silverman s seminal doing qualitative research can justifiably claim to be the supervisor in your pocket for all phd and

[doing qualitative research david silverman google books](#) - Nov 06 2022

web nov 25 2017 sage nov 25 2017 social science 592 pages with expert advice from the author and real life experiences from students this book shows you how to go from the ideas of research to the practicalities of designing conducting and writing about your research yourself what s new in this edition

doing qualitative research kindle edition by silverman david - Feb 26 2022

web nov 17 2021 doing qualitative research kindle edition by silverman david download it once and read it on your kindle device pc phones or tablets use features like bookmarks note taking and highlighting while reading doing qualitative research

doing qualitative research sage publications ltd - Aug 15 2023

web david silverman notes that qualitative research is a contested domain this is something of an understatement and students in particular need clear and concise guidance when seeking to grasp the complexities and harness the rich potentials of qualitative research

doing qualitative research a comprehensive guide apa psycnet - Apr 30 2022

web citation silverman d marvasti a 2008 doing qualitative research a comprehensive guide sage publications inc abstract offers a review of the major methods in qualitative research and data analysis techniques for upper level undergraduate and graduate students in the social sciences

pdf doing qualitative research a comprehensive guide - Feb 09 2023

web apr 2 2008 david silverman amir b marvasti penn state altoona abstract david silverman s seminal doing qualitative research originally written primarily for the european market has been revised

pdf doing qualitative research a practical - May 12 2023

web jan 1 2005 pdf on jan 1 2005 david silverman published doing qualitative research a practical find read and cite all the research you need on researchgate

doing qualitative research 4th ed by david silverman ebook - Dec 27 2021

web in the fourth edition of his best selling textbook david silverman provides a step by step guide to planning and conducting qualitative research using real examples from real postgraduate students the book makes it easy to link theory to methods and shows how to move from understanding the principles of qualitative research to doing it yourself

qualitative research sage publications ltd - Apr 11 2023

web david silverman s qualitative research now in its 5 th edition is a storehouse of readily accessible approaches to doing qualitative research it combines in depth focus with broad coverage an essential resource for researchers requiring up to date advice on the latest approaches to this burgeoning field of research and study

doing qualitative research silverman david 1943 author free - Jul 02 2022

web oct 28 2021 how to use this book what you can and can t do with qualitative research focusing research project issues in research design what counts as originality part 2 starting out formulating a research question using theories choosing a methodology how many cases do you need ethical research writing

doing qualitative research david silverman doing qualitative research - Jan 08 2023

web jan 21 2011 abstract professor silverman s reputation in the world of qualitative research precedes him and i am mindful of his status as i write this review i am similarly mindful of denzin s equally eminent standing and note his positive review on the cover of this book in which he describes the content as exceedingly thoughtful practical and

doing qualitative research a practical handbook google books - Jul 14 2023

web apr 22 2013 doing qualitative research david silverman sage publications apr 22 2013 reference 488 pages in the fourth edition of his best selling textbook david silverman provides a

pdf doing qualitative research a handbook - Mar 10 2023

web jan 1 2000 pdf on jan 1 2000 david silverman published doing qualitative research a handbook find read and cite all the research you need on researchgate