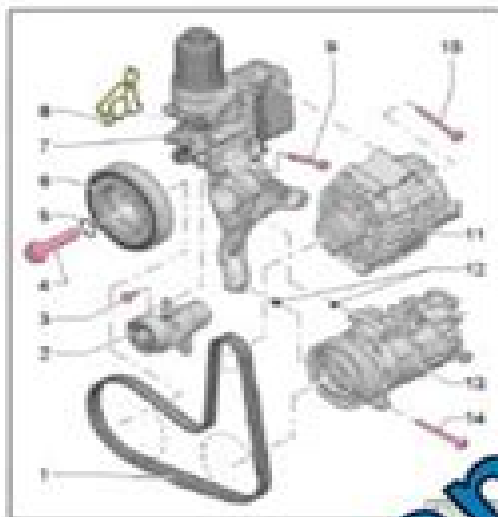


Volkswagen Passat B8 2015-2017 Workshop Manual

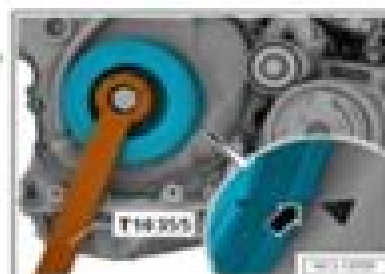
Assembly exercise - cylinder block (puffy end)

1. Puffy end
 - a. Check for wear
 - b. Oil seals
 - c. Flywheel fitting → [Pg.](#)
 - d. Reassembly and fitting → [Chapter](#)
 - e. After assembly, make sure it is properly seated in oilpan
2. Connecting element for puffy end
 - a. Using oil seal and element to connect puffy end
 - b. Use with bearing → [T10000](#)
 - c. Reassembly and fitting → [Chapter](#)
3. Belt
 - a. Belts
 - b. Water pump with oil
 - c. Oil filter and oil filter
 - d. Maintenance → [T10000](#) for replacement
 - e. Reassembly and fitting → [Chapter](#)
4. Belt
 - a. Belts
 - b. Water pump with oil
 - c. Oil filter and oil filter
 - d. Maintenance → [T10000](#) for replacement
 - e. Reassembly and fitting → [Chapter](#)
5. Oil pump
 - a. Oil pump assembly with housing is done → [T10000](#) and [T10000](#)
6. Piston/rod assembly
 - a. With oil pump and oil pan
 - b. Reassembly and fitting on the crankshaft → [Chapter](#)
 - c. Reassembly and fitting on the crankshaft → [Chapter](#)
7. Crankshaft
 - a. Belts
8. Belt
 - a. Belts
 - b. Specific issue with lightning connector → [Pg.](#)



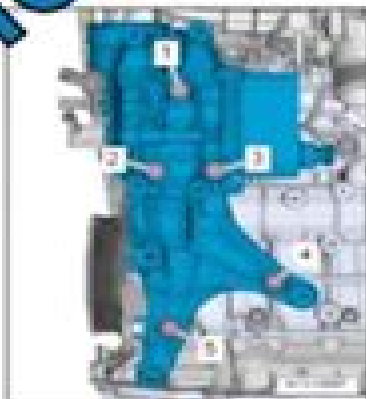
The oil seal (puff) assembly with A is used to secure the oil seal (puff) and the connecting element. It is used with A. Before reassembly, the oil seal must be checked for any signs of wear or damage. It is used with A.

- Reassembly of the oil seal (puff) assembly with A is used to secure the oil seal (puff) and the connecting element. It is used with A. Before reassembly, the oil seal must be checked for any signs of wear or damage. It is used with A.



Assembly exercise - specified torque and tightening sequence

1. Torque for oil pan (for light oil) → [Pg.](#)
2. Torque for oil pan (for light oil) → [Pg.](#)



1. Torque for oil pan (for light oil) → [Pg.](#)
2. Torque for oil pan (for light oil) → [Pg.](#)

workshopmanuals.org

15 Volkswagen Passat Cc Workshop Manual

Volkswagen of America



15 Volkswagen Passat Cc Workshop Manual:

Chilton's Import Auto Service Manual, 2000 Contains general information for technicians on the specifications MIL resetting and DTC retrieval accessory drive belts timing belts brakes oxygen sensors electric cooling fans and heater cores of twenty one types of import cars **Whitaker's Books in Print**, 1998 **VW Owners Workshop Manual** Ian Coomber, 1988 Models covered Volkswagen Passat Saloon Hatchback inc GT Estate including limited edition models 1588 cc 1595 cc 1781 cc 1921 cc 1994 cc Volkswagen Santana Saloon 1595 cc 1781 cc 1921 cc 1994 cc Does not cover Diesel engine models or Series 3 Passat range introduced May 1988 *Forthcoming Books* Rose Army, 2003 **Subject Guide to Children's Books in Print 1997** Bowker Editorial Staff, R R Bowker Publishing, 1996-09 **Motor Cycling and Motoring**, 1988 VW GTI, Golf, Jetta, MK III & IV Kevin Clemens, Volkswagen s GTI Golf and Jetta are long time favorites among sport compact performance enthusiasts With engines ranging from the 2.0 liter naturally aspirated four cylinder to the 1.8 liter turbo 4 to the VR6 the Mk III and Mk IV generations 1993-2004 offer tuners a wealth of opportunities This book turns these opportunities into realities from deciding which vehicle to buy to keeping it running in tip top condition to enhancing the performance and appearance of your VW Focusing on the engine wheels and tires suspension body kits interiors and more each project includes straightforward instruction along with details about the necessary parts cost time and skill If you want to get the biggest bang for your VW buck this book is your road map **Kiplinger's Personal Finance**, 2010-03 The most trustworthy source of information available today on savings and investments taxes money management home ownership and many other personal finance topics *VW service workshop manual: Volkswagen, types 11 and 15*, 1953 **The Autocar**, 1987 *Autocar & Motor*, 1994 *Lemon-Aid New Cars and Trucks 2012* Phil Edmonston, 2011-12-03 Phil Edmonston Canada s automotive Dr Phil pulls no punches He says there s never been a better time to buy a new car or truck thanks to a stronger Canadian dollar and an auto industry offering reduced prices more cash rebates low financing rates bargain leases and free auto maintenance programs In this all new guide he says Audis are beautiful to behold but hell to own biodegradable transmissions rodent snack wiring and mind boggling depreciation Many 2011-12 automobiles have chin to chest head restraints blinding dash reflections and dash gauges that can t be seen in sunlight not to mention painful wind tunnel roar if the rear windows are opened while underway Ethanol and hybrid fuel saving claims have more in common with Harry Potter than the Society of Automotive Engineers GM s 2012 Volt electric car is a mixture of hype and hypocrisy from the car company that killed its own electric car more than a decade ago You can save 2,000 by cutting freight fees and administrative charges Diesel annual urea fill up scams can cost you 300 including an 80 handling charge for 25 worth of urea *Lemon Aid s 2011-12 Endangered Species List* the Chinese Volvo the Indian Jaguar and Land Rover the Mercedes Benz Smart Car Mitsubishi and Suzuki *Volkswagen Passat 4-Cyl* A. K. Legg, 2005 Saloon Estate including special limited editions Does NOT cover Tiptronic transmission or 4 Motion models Does NOT cover new range introduced June 2005 Petrol

1 8 litre 1781cc 2 0 litre 1984cc 4 cylinder including turbo Does NOT cover V5 V6 or W8 Turbo Diesel 1 9 litre 1896cc 4 cylinder Does NOT cover V6

Kiplinger's Personal Finance ,2009-03 The most trustworthy source of information available today on savings and investments taxes money management home ownership and many other personal finance topics

VW Service Workshop Manual Volkswagen, Types 11, 14 and 15 Volkswagenwerk,1952* **Volkswagen Passat and Santana 1981-88 Owner's Workshop Manual** Ian Coomber,1996 Autocar ,2006 **Passat Type 32/33** Volkswagenwerk,1973 *VW Passat Diesel (May 05 to 09) 05 to 59* Martynn Randall,2010-12 This manual covers diesel Volkswagen Passats from May 05 to 09

Volkswagen Workshop Manual Types 11, 14, and 15: 1952-1957 Volkswagen of America,1998-01-01 Now available after being out of print for nearly 40 years a vintage reprint of original air cooled Volkswagen repair information for all Volkswagen Type I Beetle and Karmann Ghia models sold in the USA and Canada This historical archive edition covers procedures for routine maintenance troubleshooting repair and rebuilding Air cooled Volkswagens Type 11 14 15 covered Volkswagen Type 11 Beetle Sedan Volkswagen Type 14 Karmann Ghia Coupe Volkswagen Type 15 Beetle Convertible Engines covered in this Volkswagen repair manual Volkswagen Air cooled Type 1 upright engine 1131cc 25hp Volkswagen Air cooled Type 1 upright engine 1192cc 36hp from January 1954 Volkswagen Air cooled Type 1 upright engine 1192cc 36hp from August 1955 Transmissions covered in this Volkswagen repair manual Volkswagen Standard with non synchronized crash box transmission Volkswagen De Luxe with 2nd 3rd and 4th gear synchronized transmission Technical highlights Engine and cylinder head service repair and reconditioning including bench testing procedures and specifications for 25hp and 36hp motors Solex 28 PCI carburetor and Solex fuel pump troubleshooting rebuilding and adjustment Transmission removal rebuilding and adjustment including special needle bearings on synchromesh transmissions Frame floor and body panel repair All measurements and detailed cutting alignment and welding instructions Painting preparation and procedures Body repair and replacement procedures including the sliding fabric sunroof and convertible top Complete wiring diagrams All factory changes and updates are noted in the text by manufacturing date chassis number engine number and part number Full explanations of the operation of all systems with exploded views cutaways and diagrams Required workshop equipment tools and equipment for local manufacture listings Troubleshooting tables for clutch carburetor fuel pump steering brakes generator starter and wipers Maintenance and lubrication charts and procedures

15 Volkswagen Passat Cc Workshop Manual Book Review: Unveiling the Power of Words

In a global driven by information and connectivity, the ability of words has been evident than ever. They have the capacity to inspire, provoke, and ignite change. Such could be the essence of the book **15 Volkswagen Passat Cc Workshop Manual**, a literary masterpiece that delves deep into the significance of words and their affect our lives. Compiled by a renowned author, this captivating work takes readers on a transformative journey, unraveling the secrets and potential behind every word. In this review, we shall explore the book's key themes, examine its writing style, and analyze its overall effect on readers.

<https://legacy.tortoisemedia.com/results/book-search/fetch.php/%20yamaha%20sx250tury%20outboard%20service%20repair%20maintenance%20manual%20factory.pdf>

Table of Contents 15 Volkswagen Passat Cc Workshop Manual

1. Understanding the eBook 15 Volkswagen Passat Cc Workshop Manual
 - The Rise of Digital Reading 15 Volkswagen Passat Cc Workshop Manual
 - Advantages of eBooks Over Traditional Books
2. Identifying 15 Volkswagen Passat Cc Workshop Manual
 - Exploring Different Genres
 - Considering Fiction vs. Non-Fiction
 - Determining Your Reading Goals
3. Choosing the Right eBook Platform
 - Popular eBook Platforms
 - Features to Look for in an 15 Volkswagen Passat Cc Workshop Manual
 - User-Friendly Interface
4. Exploring eBook Recommendations from 15 Volkswagen Passat Cc Workshop Manual
 - Personalized Recommendations
 - 15 Volkswagen Passat Cc Workshop Manual User Reviews and Ratings

- 15 Volkswagen Passat Cc Workshop Manual and Bestseller Lists
- 5. Accessing 15 Volkswagen Passat Cc Workshop Manual Free and Paid eBooks
 - 15 Volkswagen Passat Cc Workshop Manual Public Domain eBooks
 - 15 Volkswagen Passat Cc Workshop Manual eBook Subscription Services
 - 15 Volkswagen Passat Cc Workshop Manual Budget-Friendly Options
- 6. Navigating 15 Volkswagen Passat Cc Workshop Manual eBook Formats
 - ePub, PDF, MOBI, and More
 - 15 Volkswagen Passat Cc Workshop Manual Compatibility with Devices
 - 15 Volkswagen Passat Cc Workshop Manual Enhanced eBook Features
- 7. Enhancing Your Reading Experience
 - Adjustable Fonts and Text Sizes of 15 Volkswagen Passat Cc Workshop Manual
 - Highlighting and Note-Taking 15 Volkswagen Passat Cc Workshop Manual
 - Interactive Elements 15 Volkswagen Passat Cc Workshop Manual
- 8. Staying Engaged with 15 Volkswagen Passat Cc Workshop Manual
 - Joining Online Reading Communities
 - Participating in Virtual Book Clubs
 - Following Authors and Publishers 15 Volkswagen Passat Cc Workshop Manual
- 9. Balancing eBooks and Physical Books 15 Volkswagen Passat Cc Workshop Manual
 - Benefits of a Digital Library
 - Creating a Diverse Reading Collection 15 Volkswagen Passat Cc Workshop Manual
- 10. Overcoming Reading Challenges
 - Dealing with Digital Eye Strain
 - Minimizing Distractions
 - Managing Screen Time
- 11. Cultivating a Reading Routine 15 Volkswagen Passat Cc Workshop Manual
 - Setting Reading Goals 15 Volkswagen Passat Cc Workshop Manual
 - Carving Out Dedicated Reading Time
- 12. Sourcing Reliable Information of 15 Volkswagen Passat Cc Workshop Manual
 - Fact-Checking eBook Content of 15 Volkswagen Passat Cc Workshop Manual
 - Distinguishing Credible Sources

13. Promoting Lifelong Learning
 - Utilizing eBooks for Skill Development
 - Exploring Educational eBooks
14. Embracing eBook Trends
 - Integration of Multimedia Elements
 - Interactive and Gamified eBooks

15 Volkswagen Passat Cc Workshop Manual Introduction

15 Volkswagen Passat Cc Workshop Manual Offers over 60,000 free eBooks, including many classics that are in the public domain. Open Library: Provides access to over 1 million free eBooks, including classic literature and contemporary works. 15 Volkswagen Passat Cc Workshop Manual Offers a vast collection of books, some of which are available for free as PDF downloads, particularly older books in the public domain. 15 Volkswagen Passat Cc Workshop Manual : This website hosts a vast collection of scientific articles, books, and textbooks. While it operates in a legal gray area due to copyright issues, its a popular resource for finding various publications. Internet Archive for 15 Volkswagen Passat Cc Workshop Manual : Has an extensive collection of digital content, including books, articles, videos, and more. It has a massive library of free downloadable books. Free-eBooks 15 Volkswagen Passat Cc Workshop Manual Offers a diverse range of free eBooks across various genres. 15 Volkswagen Passat Cc Workshop Manual Focuses mainly on educational books, textbooks, and business books. It offers free PDF downloads for educational purposes. 15 Volkswagen Passat Cc Workshop Manual Provides a large selection of free eBooks in different genres, which are available for download in various formats, including PDF. Finding specific 15 Volkswagen Passat Cc Workshop Manual, especially related to 15 Volkswagen Passat Cc Workshop Manual, might be challenging as theyre often artistic creations rather than practical blueprints. However, you can explore the following steps to search for or create your own Online Searches: Look for websites, forums, or blogs dedicated to 15 Volkswagen Passat Cc Workshop Manual, Sometimes enthusiasts share their designs or concepts in PDF format. Books and Magazines Some 15 Volkswagen Passat Cc Workshop Manual books or magazines might include. Look for these in online stores or libraries. Remember that while 15 Volkswagen Passat Cc Workshop Manual, sharing copyrighted material without permission is not legal. Always ensure youre either creating your own or obtaining them from legitimate sources that allow sharing and downloading. Library Check if your local library offers eBook lending services. Many libraries have digital catalogs where you can borrow 15 Volkswagen Passat Cc Workshop Manual eBooks for free, including popular titles. Online Retailers: Websites like Amazon, Google Books, or Apple Books often sell eBooks. Sometimes, authors or publishers offer promotions or free periods for certain books. Authors Website Occasionally, authors provide excerpts or short stories for free

on their websites. While this might not be the 15 Volkswagen Passat Cc Workshop Manual full book , it can give you a taste of the authors writing style. Subscription Services Platforms like Kindle Unlimited or Scribd offer subscription-based access to a wide range of 15 Volkswagen Passat Cc Workshop Manual eBooks, including some popular titles.

FAQs About 15 Volkswagen Passat Cc Workshop Manual Books

What is a 15 Volkswagen Passat Cc Workshop Manual PDF? A PDF (Portable Document Format) is a file format developed by Adobe that preserves the layout and formatting of a document, regardless of the software, hardware, or operating system used to view or print it. **How do I create a 15 Volkswagen Passat Cc Workshop Manual PDF?** There are several ways to create a PDF: Use software like Adobe Acrobat, Microsoft Word, or Google Docs, which often have built-in PDF creation tools. Print to PDF: Many applications and operating systems have a "Print to PDF" option that allows you to save a document as a PDF file instead of printing it on paper. Online converters: There are various online tools that can convert different file types to PDF. **How do I edit a 15 Volkswagen Passat Cc Workshop Manual PDF?** Editing a PDF can be done with software like Adobe Acrobat, which allows direct editing of text, images, and other elements within the PDF. Some free tools, like PDFescape or Smallpdf, also offer basic editing capabilities. **How do I convert a 15 Volkswagen Passat Cc Workshop Manual PDF to another file format?** There are multiple ways to convert a PDF to another format: Use online converters like Smallpdf, Zamzar, or Adobe Acrobats export feature to convert PDFs to formats like Word, Excel, JPEG, etc. Software like Adobe Acrobat, Microsoft Word, or other PDF editors may have options to export or save PDFs in different formats. **How do I password-protect a 15 Volkswagen Passat Cc Workshop Manual PDF?** Most PDF editing software allows you to add password protection. In Adobe Acrobat, for instance, you can go to "File" -> "Properties" -> "Security" to set a password to restrict access or editing capabilities. Are there any free alternatives to Adobe Acrobat for working with PDFs? Yes, there are many free alternatives for working with PDFs, such as: LibreOffice: Offers PDF editing features. PDFsam: Allows splitting, merging, and editing PDFs. Foxit Reader: Provides basic PDF viewing and editing capabilities. How do I compress a PDF file? You can use online tools like Smallpdf, ILovePDF, or desktop software like Adobe Acrobat to compress PDF files without significant quality loss. Compression reduces the file size, making it easier to share and download. Can I fill out forms in a PDF file? Yes, most PDF viewers/editors like Adobe Acrobat, Preview (on Mac), or various online tools allow you to fill out forms in PDF files by selecting text fields and entering information. Are there any restrictions when working with PDFs? Some PDFs might have restrictions set by their creator, such as password protection, editing restrictions, or print restrictions. Breaking these restrictions might require specific software or tools, which may or may not be legal depending on the circumstances and local laws.

Find 15 Volkswagen Passat Cc Workshop Manual :

~~2000 yamaha sx250 outboard service repair maintenance manual factory~~

~~2001 chevy venture transmission manual~~

~~2001 acura cl car stereo installation kit manual~~

2000 suzuki vl1500lc wiring diagram

2001 honda 400ex service manual

20008 hyundai elantra factory service manual

2001 civic manual transmission fluid check

2000 yamaha thunderace owners manual

2001 audi a4 overrun cut off valve manual

2000 terry fleetwood ex owners manual 94462

2000 yamaha ew50 service repair manual

2001 corolla service manual torrent

2000 yz426f owners manual

2001 buell p3 blast service repair manual

2001 alero repair manual

15 Volkswagen Passat Cc Workshop Manual :

Carpentry The Carpentry curriculum helps learners to build general carpentry skills, before moving into advanced topical coverage of framing and finish carpentry, ... NCCER | Carpentry NCCER's curriculum in Carpentry teaches trainees to construct, erect, install and repair structures and fixtures made from wood and other materials. Carpentry Practice Test Take this free carpentry practice test to see how prepared you are for a carpentry licensing certification test. View Answers as You Go. View 1 Question ... NCCER Level 1 Carpentry Flashcards Study with Quizlet and memorize flashcards containing terms like Architect, Architect's Scale, Architectural Plans and more. Study Guide for Residential Carpentry and Repair 2nd ... Study Guide for Residential Carpentry and Repair 2nd Edition by NCCER Standardized Curriculum Ring-bound. \$209.99. This new 2012 reference replaces Carpentry ... study guide rough carpenter The 2422 Rough Carpenter Test is a job knowledge test designed to cover the major ... You will receive a Test Comment form so that you can make comments about ... Study Guide for Commercial Carpentry 2nd Edition: NCCER Study Guide for Commercial Carpentry replaces Masonry Level 3 Trainee Guide, Carpentry Level 2 Framing & Finishing Trainee Guide, Carpentry Level 3 Forms ... Study

Guide for Residential Carpentry and Repair, 2nd ... Study Guide for Residential Carpentry and Repair, 2nd Edition. \$197.00. 3 in stock. Study Guide for Residential Carpentry and Repair, 2nd Edition quantity. How to Pass the NCCER Test for Carpenter Preparing for the test involves reviewing relevant carpentry textbooks, study guides, and resources provided by NCCER. It's also beneficial to engage in hands- ... Study Guide for Residential Carpentry and Repair 2nd ... Study Guide for Residential Carpentry and Repair 2nd Edition by NCCER Standardized Curriculum (2015-08-02) [NCCER] on Amazon.com.

Experimental inorganic chemistry - ACS Publications by AF Clifford · 1955 — Experimental inorganic chemistry · Article Views · Altmetric · Citations · Cited By · Partners · About · Resources and Information · Support & Contact. Help ...

Experimental inorganic chemistry Product details · Date Published: January 1954 · format: Hardback · isbn: 9780521059022. length: 598 pages; weight ... CHEM 576 (01) - Experimental Inorganic Chemistry This laboratory course is an introduction to synthetic methods in inorganic chemistry and the study of the elements across the periodic table. Experimental Inorganic Chemistry by Palmer, W. G. Experimental Inorganic Chemistry ; Edition. y First edition ; Publisher. Cambridge University Press ; Publication date. January 2, 1954 ; Language. English ; Print ... Experimental Inorganic Chemistry - W. G. Palmer Divergence between A and B families Relative stability of ionic species. 120. Preparations and Analyses marked page. 127. Introduction page. (1) Introduction to Inorganic Chemistry (2) Experimental ... (1) Introduction to Inorganic Chemistry. By Prof. A. Smith. Third edition. Pp. xiv + 925. (London: G. Experimental Inorganic Chemistry. W. G. Palmer. ... by LF Audrieth · 1954 — Experimental Inorganic Chemistry. W. G. Palmer. Cambridge Univ. Press, New York, 1954. 578 pp. Illus. \$9. L. F. Audrieth Authors Info & Affiliations. Science. Multiweek Experiments for an Inorganic Chemistry Laboratory ... by JD Collett · 2020 · Cited by 4 — Students conducting these experiments have the opportunity to learn synthetic techniques and various characterization methods. Most importantly, ... GROB Sep 1, 1983 — All manuals for GROB G 109B can be ordered from: GROB-WERKE GMBH & CO. KG ... Flight Manual GROB G 109 B. 15. (. Table of indicated airspeeds. Engine Limbach L2400DT1 Propeller MTV-1-A/L 170-05 The G 109B is two-seat motor glider with T-type stabilizer, fixed gear with fairings and airbrakes extending out of the upper surface of the wings. Grob-Flight-manual.pdf Mar 1, 1981 — This handbook must be carried on board of the motor glider at all times. This Airplane Flight Manual is FAA approved for U.S. registered air ... Grob G 109 Flight Manual View and Download Grob G 109 flight manual online. Motor glider. G 109 aircrafts pdf manual download. Grob G 109 Manuals We have 1 Grob G 109 manual available for free PDF download: Flight Manual. Grob G 109 Flight Manual (63 pages). Motor glider. Brand ... Grob109B FlightManual_SEUAB.pdf - Grob Jun 24, 2018 — Flight manual for the Grob 109B. TYPE-CERTIFICATE DATA SHEET - EASA Jun 28, 2021 — Flight Manual for Engine 1 to 5. - Flight Manual GROB G 109B. Issue September 1983, LBA approved for Engine 6. - Flight Manual GROB G 109B Rotax ... Motor glider GROB G 109 B of Flight Manual of Motor glider GROB G 109". Issue March 1983. 3. Provision of: "Appendix for Avionic Equipment of Maintenance Manual of the Motor glider GROB. Technical Information - TM 817-22 flight and maintenance manual" con-

siders additional equipment as well as comments and corrections in the flight and maintenance manual of the G 109. Datum.
G 109 G 109B - GROB Aircraft Nov 14, 2014 — Page 6 and 7: MAINTENANCE MANUAL GROB G 109 4a Re; Page 8 and 9:
REPAIR INSTRUCTIONS GROB G 109 3 Gl; Page 10 and 11: WARTUNGSHANDBUCH GROB G ...