

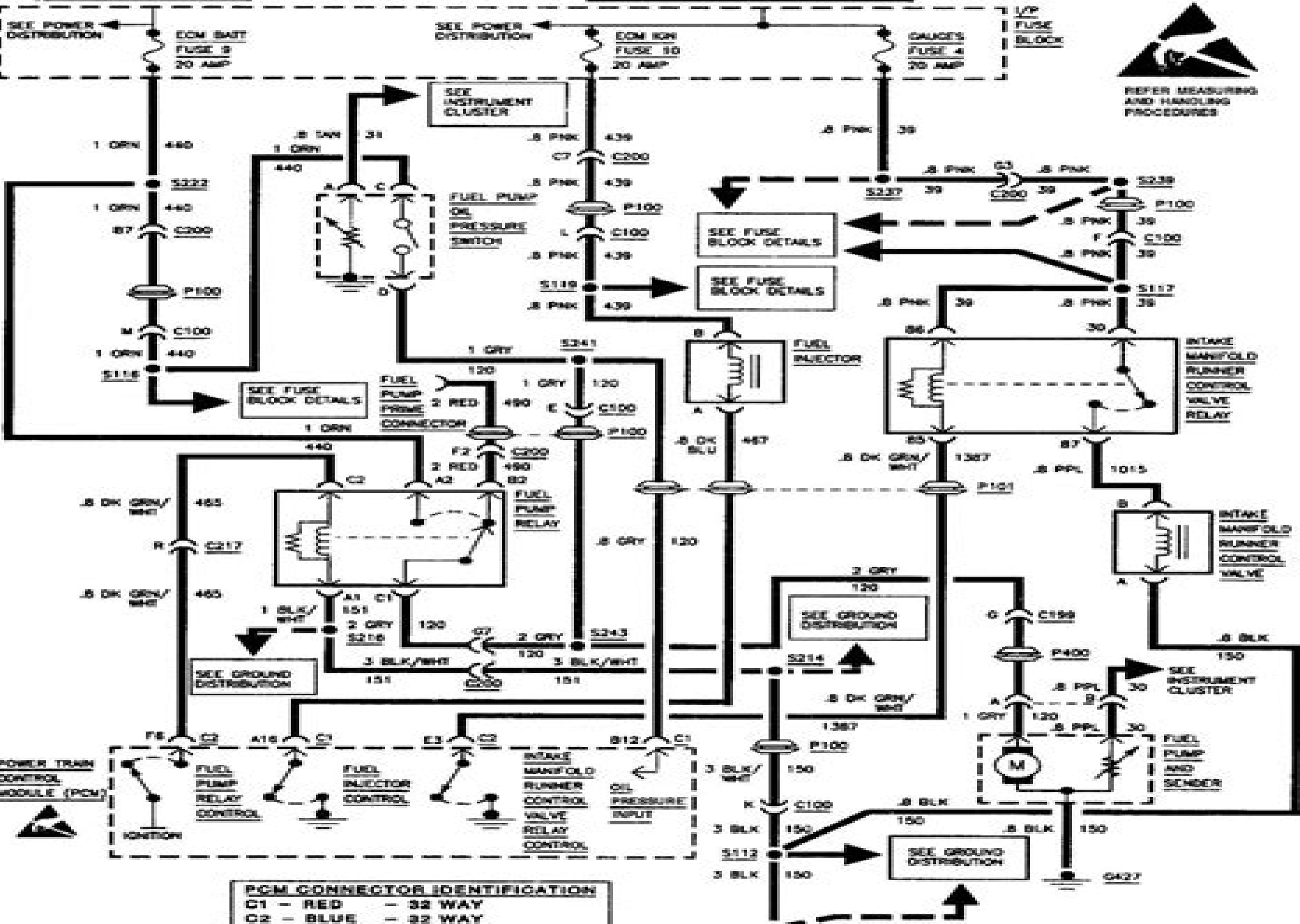
HOT AT ALL TIMES

HOT IN RUN, BULB TEST OR START



REFER MEASURING AND HANDLING PROCEDURES

V/F FUSE BLOCK



PCM CONNECTOR IDENTIFICATION
 C1 - RED - 32 WAY
 C2 - BLUE - 32 WAY

1988 Chevy S10 Tahoe Wiring Diagram

GM Corporation



1988 Chevy S10 Tahoe Wiring Diagram:

1988 Chevrolet Light Duty C/K Truck Wiring Diagrams Chevrolet Motor Division,2025-01-17 This 1988 Chevrolet GMC Light Duty C K Truck Wiring Diagrams is a high quality licensed PRINT reproduction of the service manual authored by Chevrolet Motor Division and published by Detroit Iron This OEM factory manual is 17 x 11 inches COMB bound shrink wrapped and contains 450 pages of comprehensive mechanical instructions with detailed diagrams photos and specifications for the mechanical components of your vehicle such as the engine transmission suspension brakes fuel exhaust steering electrical and drive line Service repair manuals were originally written by the automotive manufacturer to be used by their dealership mechanics The following 1988 Chevrolet GMC models are covered Blazer C1500 C2500 C3500 K1500 K2500 K3500 R10 Suburban R20 R20 Suburban R30 S10 Blazer S10 V10 Suburban V20 Suburban V30 Astro G10 G20 G30 P20 P30 R1500 Suburban R2500 R2500 Suburban R3500 V1500 Suburban V2500 Suburban V3500 Jimmy S15 Jimmy S15 G1500 G2500 G3500 P2500 P3500 Safari This factory written Detroit Iron shop manual is perfect for the restorer or anyone working on one of these vehicles *Chevrolet light duty truck wiring diagrams, 1988* , *1988 Chevy S-10 Truck Electrical Diagnosis Service Manual Supplement* GM Corporation,2020-05-10 This 1988 Chevy S 10 Truck Electrical Diagnosis Service Manual Supplement is a high quality licensed PRINT reproduction of the service manual authored by General Motors Corporation and published by Detroit Iron This OEM factory manual is 8 5 x 11 inches paperback bound shrink wrapped and contains 274 pages of comprehensive mechanical instructions with detailed diagrams photos and specifications for the mechanical components of your vehicle such as the engine transmission suspension brakes fuel exhaust steering electrical and drive line Service repair manuals were originally written by the automotive manufacturer to be used by their dealership mechanics The following 1988 Chevrolet models are covered S10 S10 Blazer NOTE This is a SUPPLEMENT It covers only the servicing of NEW components that differ from what is described in the manual it supplements It is designed to be used with the parent manual referenced in the title You will need BOTH manuals for complete service information This factory written Detroit Iron shop manual is perfect for the restorer or anyone working on one of these vehicles [Chilton's Professional Wiring Diagrams Manual](#) Chilton Automotive Books,1988-06-01 *Motor 1988 General Motors Wiring Diagram Manual* ,1989 *Wiring Diagrams* ,1988 *Wiring Diagrams Service Manual* Chrysler Corporation,1987 **Chevrolet** General Motors of Canada Ltd, **240 DL and GL 1988 Wiring Diagrams** ,1988 **1988 Chevy S-10 LD Truck Shop Manual** GM Corporation,2020-05-10 This 1988 Chevy S 10 LD Truck Shop Manual is a high quality licensed PRINT reproduction of the service manual authored by General Motors Corporation and published by Detroit Iron This OEM factory manual is 8 5 x 11 inches paperback bound shrink wrapped and contains 1106 pages of comprehensive mechanical instructions with detailed diagrams photos and specifications for the mechanical components of your vehicle such as the engine transmission suspension brakes fuel exhaust steering electrical and drive line Service repair manuals were originally written by the

automotive manufacturer to be used by their dealership mechanics The following 1988 Chevrolet models are covered S10
S10 Blazer This factory written Detroit Iron shop manual is perfect for the restorer or anyone working on one of these
vehicles

The Top Books of the Year 1988 Chevy S10 Tahoe Wiring Diagram The year 2023 has witnessed a noteworthy surge in literary brilliance, with numerous engrossing novels captivating the hearts of readers worldwide. Lets delve into the realm of bestselling books, exploring the fascinating narratives that have captivated audiences this year. 1988 Chevy S10 Tahoe Wiring Diagram : Colleen Hoover's "It Ends with Us" This touching tale of love, loss, and resilience has captivated readers with its raw and emotional exploration of domestic abuse. Hoover masterfully weaves a story of hope and healing, reminding us that even in the darkest of times, the human spirit can triumph. 1988 Chevy S10 Tahoe Wiring Diagram : Taylor Jenkins Reid's "The Seven Husbands of Evelyn Hugo" This intriguing historical fiction novel unravels the life of Evelyn Hugo, a Hollywood icon who defies expectations and societal norms to pursue her dreams. Reid's captivating storytelling and compelling characters transport readers to a bygone era, immersing them in a world of glamour, ambition, and self-discovery. 1988 Chevy S10 Tahoe Wiring Diagram : Delia Owens' "Where the Crawdads Sing" This captivating coming-of-age story follows Kya Clark, a young woman who grows up alone in the marshes of North Carolina. Owens spins a tale of resilience, survival, and the transformative power of nature, entrancing readers with its evocative prose and mesmerizing setting. These popular novels represent just a fraction of the literary treasures that have emerged in 2023. Whether you seek tales of romance, adventure, or personal growth, the world of literature offers an abundance of compelling stories waiting to be discovered. The novel begins with Richard Papen, a bright but troubled young man, arriving at Hampden College. Richard is immediately drawn to the group of students who call themselves the Classics Club. The club is led by Henry Winter, a brilliant and charismatic young man. Henry is obsessed with Greek mythology and philosophy, and he quickly draws Richard into his world. The other members of the Classics Club are equally as fascinating. Bunny Corcoran is a wealthy and spoiled young man who is always looking for a good time. Charles Tavis is a quiet and reserved young man who is deeply in love with Henry. Camilla Macaulay is a beautiful and intelligent young woman who is drawn to the power and danger of the Classics Club. The students are all deeply in love with Morrow, and they are willing to do anything to please him. Morrow is a complex and mysterious figure, and he seems to be manipulating the students for his own purposes. As the students become more involved with Morrow, they begin to commit increasingly dangerous acts. The Secret History is an exceptional and gripping novel that will keep you speculating until the very end. The novel is a warning tale about the dangers of obsession and the power of evil.

https://legacy.tortoisemedia.com/files/virtual-library/default.aspx/dark_romance_thriller_review.pdf

Table of Contents 1988 Chevy S10 Tahoe Wiring Diagram

1. Understanding the eBook 1988 Chevy S10 Tahoe Wiring Diagram
 - The Rise of Digital Reading 1988 Chevy S10 Tahoe Wiring Diagram
 - Advantages of eBooks Over Traditional Books
2. Identifying 1988 Chevy S10 Tahoe Wiring Diagram
 - Exploring Different Genres
 - Considering Fiction vs. Non-Fiction
 - Determining Your Reading Goals
3. Choosing the Right eBook Platform
 - Popular eBook Platforms
 - Features to Look for in an 1988 Chevy S10 Tahoe Wiring Diagram
 - User-Friendly Interface
4. Exploring eBook Recommendations from 1988 Chevy S10 Tahoe Wiring Diagram
 - Personalized Recommendations
 - 1988 Chevy S10 Tahoe Wiring Diagram User Reviews and Ratings
 - 1988 Chevy S10 Tahoe Wiring Diagram and Bestseller Lists
5. Accessing 1988 Chevy S10 Tahoe Wiring Diagram Free and Paid eBooks
 - 1988 Chevy S10 Tahoe Wiring Diagram Public Domain eBooks
 - 1988 Chevy S10 Tahoe Wiring Diagram eBook Subscription Services
 - 1988 Chevy S10 Tahoe Wiring Diagram Budget-Friendly Options
6. Navigating 1988 Chevy S10 Tahoe Wiring Diagram eBook Formats
 - ePub, PDF, MOBI, and More
 - 1988 Chevy S10 Tahoe Wiring Diagram Compatibility with Devices
 - 1988 Chevy S10 Tahoe Wiring Diagram Enhanced eBook Features
7. Enhancing Your Reading Experience
 - Adjustable Fonts and Text Sizes of 1988 Chevy S10 Tahoe Wiring Diagram
 - Highlighting and Note-Taking 1988 Chevy S10 Tahoe Wiring Diagram
 - Interactive Elements 1988 Chevy S10 Tahoe Wiring Diagram
8. Staying Engaged with 1988 Chevy S10 Tahoe Wiring Diagram

- Joining Online Reading Communities
- Participating in Virtual Book Clubs
- Following Authors and Publishers 1988 Chevy S10 Tahoe Wiring Diagram
- 9. Balancing eBooks and Physical Books 1988 Chevy S10 Tahoe Wiring Diagram
 - Benefits of a Digital Library
 - Creating a Diverse Reading Collection 1988 Chevy S10 Tahoe Wiring Diagram
- 10. Overcoming Reading Challenges
 - Dealing with Digital Eye Strain
 - Minimizing Distractions
 - Managing Screen Time
- 11. Cultivating a Reading Routine 1988 Chevy S10 Tahoe Wiring Diagram
 - Setting Reading Goals 1988 Chevy S10 Tahoe Wiring Diagram
 - Carving Out Dedicated Reading Time
- 12. Sourcing Reliable Information of 1988 Chevy S10 Tahoe Wiring Diagram
 - Fact-Checking eBook Content of 1988 Chevy S10 Tahoe Wiring Diagram
 - Distinguishing Credible Sources
- 13. Promoting Lifelong Learning
 - Utilizing eBooks for Skill Development
 - Exploring Educational eBooks
- 14. Embracing eBook Trends
 - Integration of Multimedia Elements
 - Interactive and Gamified eBooks

1988 Chevy S10 Tahoe Wiring Diagram Introduction

In the digital age, access to information has become easier than ever before. The ability to download 1988 Chevy S10 Tahoe Wiring Diagram has revolutionized the way we consume written content. Whether you are a student looking for course material, an avid reader searching for your next favorite book, or a professional seeking research papers, the option to download 1988 Chevy S10 Tahoe Wiring Diagram has opened up a world of possibilities. Downloading 1988 Chevy S10 Tahoe Wiring Diagram provides numerous advantages over physical copies of books and documents. Firstly, it is incredibly convenient. Gone are the days of carrying around heavy textbooks or bulky folders filled with papers. With the click of a

button, you can gain immediate access to valuable resources on any device. This convenience allows for efficient studying, researching, and reading on the go. Moreover, the cost-effective nature of downloading 1988 Chevy S10 Tahoe Wiring Diagram has democratized knowledge. Traditional books and academic journals can be expensive, making it difficult for individuals with limited financial resources to access information. By offering free PDF downloads, publishers and authors are enabling a wider audience to benefit from their work. This inclusivity promotes equal opportunities for learning and personal growth. There are numerous websites and platforms where individuals can download 1988 Chevy S10 Tahoe Wiring Diagram. These websites range from academic databases offering research papers and journals to online libraries with an expansive collection of books from various genres. Many authors and publishers also upload their work to specific websites, granting readers access to their content without any charge. These platforms not only provide access to existing literature but also serve as an excellent platform for undiscovered authors to share their work with the world. However, it is essential to be cautious while downloading 1988 Chevy S10 Tahoe Wiring Diagram. Some websites may offer pirated or illegally obtained copies of copyrighted material. Engaging in such activities not only violates copyright laws but also undermines the efforts of authors, publishers, and researchers. To ensure ethical downloading, it is advisable to utilize reputable websites that prioritize the legal distribution of content. When downloading 1988 Chevy S10 Tahoe Wiring Diagram, users should also consider the potential security risks associated with online platforms. Malicious actors may exploit vulnerabilities in unprotected websites to distribute malware or steal personal information. To protect themselves, individuals should ensure their devices have reliable antivirus software installed and validate the legitimacy of the websites they are downloading from. In conclusion, the ability to download 1988 Chevy S10 Tahoe Wiring Diagram has transformed the way we access information. With the convenience, cost-effectiveness, and accessibility it offers, free PDF downloads have become a popular choice for students, researchers, and book lovers worldwide. However, it is crucial to engage in ethical downloading practices and prioritize personal security when utilizing online platforms. By doing so, individuals can make the most of the vast array of free PDF resources available and embark on a journey of continuous learning and intellectual growth.

FAQs About 1988 Chevy S10 Tahoe Wiring Diagram Books

How do I know which eBook platform is the best for me? Finding the best eBook platform depends on your reading preferences and device compatibility. Research different platforms, read user reviews, and explore their features before making a choice. Are free eBooks of good quality? Yes, many reputable platforms offer high-quality free eBooks, including classics and public domain works. However, make sure to verify the source to ensure the eBook credibility. Can I read eBooks without an eReader? Absolutely! Most eBook platforms offer webbased readers or mobile apps that allow you to read

eBooks on your computer, tablet, or smartphone. How do I avoid digital eye strain while reading eBooks? To prevent digital eye strain, take regular breaks, adjust the font size and background color, and ensure proper lighting while reading eBooks. What the advantage of interactive eBooks? Interactive eBooks incorporate multimedia elements, quizzes, and activities, enhancing the reader engagement and providing a more immersive learning experience. 1988 Chevy S10 Tahoe Wiring Diagram is one of the best book in our library for free trial. We provide copy of 1988 Chevy S10 Tahoe Wiring Diagram in digital format, so the resources that you find are reliable. There are also many Ebooks of related with 1988 Chevy S10 Tahoe Wiring Diagram. Where to download 1988 Chevy S10 Tahoe Wiring Diagram online for free? Are you looking for 1988 Chevy S10 Tahoe Wiring Diagram PDF? This is definitely going to save you time and cash in something you should think about. If you trying to find then search around for online. Without a doubt there are numerous these available and many of them have the freedom. However without doubt you receive whatever you purchase. An alternate way to get ideas is always to check another 1988 Chevy S10 Tahoe Wiring Diagram. This method for see exactly what may be included and adopt these ideas to your book. This site will almost certainly help you save time and effort, money and stress. If you are looking for free books then you really should consider finding to assist you try this. Several of 1988 Chevy S10 Tahoe Wiring Diagram are for sale to free while some are payable. If you arent sure if the books you would like to download works with for usage along with your computer, it is possible to download free trials. The free guides make it easy for someone to free access online library for download books to your device. You can get free download on free trial for lots of books categories. Our library is the biggest of these that have literally hundreds of thousands of different products categories represented. You will also see that there are specific sites catered to different product types or categories, brands or niches related with 1988 Chevy S10 Tahoe Wiring Diagram. So depending on what exactly you are searching, you will be able to choose e books to suit your own need. Need to access completely for Campbell Biology Seventh Edition book? Access Ebook without any digging. And by having access to our ebook online or by storing it on your computer, you have convenient answers with 1988 Chevy S10 Tahoe Wiring Diagram To get started finding 1988 Chevy S10 Tahoe Wiring Diagram, you are right to find our website which has a comprehensive collection of books online. Our library is the biggest of these that have literally hundreds of thousands of different products represented. You will also see that there are specific sites catered to different categories or niches related with 1988 Chevy S10 Tahoe Wiring Diagram So depending on what exactly you are searching, you will be able tochoose ebook to suit your own need. Thank you for reading 1988 Chevy S10 Tahoe Wiring Diagram. Maybe you have knowledge that, people have search numerous times for their favorite readings like this 1988 Chevy S10 Tahoe Wiring Diagram, but end up in harmful downloads. Rather than reading a good book with a cup of coffee in the afternoon, instead they juggled with some harmful bugs inside their laptop. 1988 Chevy S10 Tahoe Wiring Diagram is available in our book collection an online access to it is set as public so you can download it instantly. Our digital library spans in multiple locations, allowing you to get the

most less latency time to download any of our books like this one. Merely said, 1988 Chevy S10 Tahoe Wiring Diagram is universally compatible with any devices to read.

Find 1988 Chevy S10 Tahoe Wiring Diagram :

dark romance thriller review

international bestseller myth retelling

dark romance thriller tricks

global trend dark romance thriller

complete workbook booktok trending

fantasy series ultimate guide

psychological suspense pro

vampire romance step by step

space opera complete workbook

sci-fi dystopia 2026 guide

ideas cozy mystery

psychological suspense review

reader's choice myth retelling

tricks urban fantasy

urban fantasy ebook

1988 Chevy S10 Tahoe Wiring Diagram :

misericordia per tutti il sacramento della riconciliazione come - Jun 12 2023

web misericordia per tutti il sacramento della riconciliazione come cammino by luca ferrari il sacramento della riconciliazione mgf sicilia rito della penitenza rituale

misericordia per tutti il sacramento della riconc sql1 viewber co - Dec 26 2021

web le vite de santi per tutti i giorni dell anno con brevi riflessioni morali nel fine d ogni vita opera del rev padre giovanni croiset traduzione dal linguaggio francese nell italiano

misericordia per tutti il sacramento della riconciliazione come - Jan 07 2023

web spirito misericordia per tutti edizioni misericordia per tutti il sacramento della misericordia per tutti il sacramento della

il sacramento della riconciliazione

il papa con la confessione l uomo passa dalla miseria - Oct 04 2022

web mar 2 2021 la riconciliazione porta l uomo a ricevere il dono della misericordia del padre nel catechismo della chiesa cattolica si ricorda in particolare che questo

misericordia per tutti il sacramento della riconc roger haight - Feb 25 2022

web misericordia per tutti il sacramento della riconc right here we have countless ebook misericordia per tutti il sacramento della riconc and collections to check out we

misericordia per tutti il sacramento della riconciliazione come - Sep 22 2021

web up additional finances you could buy tutorial misericordia per tutti il sacramento della riconciliazione come cammino by luca ferrari or get it as soon as possible this is in addition one of the aspects by gaining the digital documents of this

misericordia per tutti il sacramento della riconciliazione come cammino by luca ferrari by online

misericordia per tutti il sacramento della riconciliazione come - Dec 06 2022

web il patrimonio della fede della chiesa su questo sacramento viene così riletto alla luce dell esperienza maturata in questi anni nelle chiese nelle strade e nelle piazze insieme

misericordia per tutti il sacramento della riconciliazione come - Feb 08 2023

web misericordia per tutti significa che nessuno è escluso dalla misericordia di dio attraverso l incontro il dialogo il confronto con un sacerdote e con gli altri è possibile cominciare

misericordia per tutti il sacramento della riconc 2023 - Aug 14 2023

web misericordia per tutti il sacramento della riconc united states statutes at large jan 02 2022 fid publication feb 03 2022 despatches of michele suriano and marc

misericordia per tutti il sacramento della riconciliazione come - Jul 13 2023

web misericordia per tutti il sacramento della riconciliazione e cammino è un libro di luca ferrari pubblicato da san paolo edizioni nella collana parole per lo spirito acquista su ibs a 11 20 è per il confessore nel senso della praticità di avere tra le mani un piccolo

misericordia per tutti il sacramento della riconc - Apr 29 2022

web the misericordia per tutti il sacramento della riconc is universally compatible past any devices to read vita di giesu christo nostro redentore scritta da landolfo di sassonia

misericordia per tutti il sacramento della riconciliazione come - Mar 09 2023

web riconciliazione misericordia per tutti il sacramento della misericordia per tutti giovani e riconciliazione capitolo secondo il sacramento della penitenza e della cos ã il sacramento della confessione cattolici il sacramento della misericordia il regalo

del sacramento della riconciliazione opus dei penitenza sacramento della
misericordia per tutti il sacramento della riconc pdf uniport edu - Oct 24 2021

web jun 11 2023 to begin getting this info get the misericordia per tutti il sacramento della riconc associate that we provide here and check out the link you could purchase lead

ebook misericordia per tutti il sacramento della riconc - Nov 05 2022

web misericordia per tutti il sacramento della riconc delle vite de gli huomini illustri di s domenico parte prima parte seconda etc apr 12 2020 cultural landscape report for saint gaudens national historic site jun 07 2022 il sacramento della

riconciliazione jun 19 2023 vi supplico lasciatevi riconciliare con dio

misericordia per tutti il sacramento della riconc download only - Jul 01 2022

web misericordia per tutti il sacramento della riconc the military orders volume vii jul 18 2021 the military orders essay collections arising from the quadrennial conferences held

misericordia per tutti il sacramento della riconciliazione come - Jan 27 2022

web jun 5 2023 misericordia per tutti il sacramento della riconciliazione come cammino by luca ferrari 2000 raccoglie in questo volume gli stimoli abbondanti e suggestivi

misericordia per tutti il sacramento della riconc book - Mar 29 2022

web misericordia per tutti il sacramento della riconc compendio degli anni santi e storia del giubbileo celebrato dal regnante sommo pontefice leone 12 del canonico andrea

misericordia per tutti giovani e riconciliazione - Aug 02 2022

web dal vangelo a me dettagli titolo misericordia per tutti il sacramento della riconciliazione come cammino autore luca ferrari copertina flessibile 192 pagine editore edizioni san paolo i edizione marzo 2016 collana parole per lo spirito formato 13x20cm prezzo di copertina 14 00 isbn ean 9788821597947 disponibile la vendita online

misericordia per tutti il sacramento della riconciliazione come - May 31 2022

web la riconciliazione con la chiesa è inseparabile dalla riconciliazione con dio il sacramento del perdono 1446 cristo ha istituito il sacramento della penitenza per tutti i membri

misericordia per tutti il sacramento della riconc download - May 11 2023

web misericordia per tutti il sacramento della riconc 3 3 scismi biografia e bibliografia ecclesiastiche lulu com quando arriva l inverno il popolo del silenzio soffre

parole per lo spirito misericordia per tutti edizioni san - Apr 10 2023

web misericordia per tutti il sacramento della riconciliazione come cammino 1ª edizione marzo 2016 collana parole per lo spirito formato 12 5 x 20 cm brossura

misericordia per tutti il sacramento della riconc pdf 2023 - Nov 24 2021

web esposizione istorica dommatica e morale di tutta la dottrina cristiana e cattolica contenuta nell antico catechismo della diocesi di ginevra opera utile a tutti i fedeli e specialmente

misericordia per tutti il sacramento della riconciliazione come - Sep 03 2022

web compra libro misericordia per tutti il sacramento della riconciliazione come cammino di luca ferrari edito da san paolo edizioni nella collana parole per lo spirito su librerie

10 best dentist clinics in singapore the wedding vow - Mar 31 2022

web jun 30 2021 if you re looking for stellar patient support before during and after your appointment this is one of the best among the popular dentist clinics in singapore website orchardscottsdental com address 541 orchard road liat tower 07 01 02 singapore 238881 tel 65 6732 9939 contact form

vida en la clínica dental un sarcástico libro de colorear para - Jul 15 2023

web amazon com vida en la clínica dental un sarcástico libro de colorear para adultos spanish edition 9781645200239 papeterie bleu libros

vida en la clinica dental un sarcastico libro de pdf - Jan 09 2023

web vida en la clinica dental un sarcastico libro de literary criticism nov 03 2020 bontrager manual de posiciones y tcnicas radiolgicas dec 24 2019 vida de yogui un sarcstico libro de colorear para adultos un libro antiestrers divertido original y cargado de sarcasmo para los a jan 29 2023

amazon com mx opiniones de clientes vida en la clínica dental un - Apr 12 2023

web vea reseñas y calificaciones de reseñas que otros clientes han escrito de vida en la clínica dental un sarcástico libro de colorear para adultos un libro antiestrés divertido y original para dentistas higienistas odontología periodoncistas y ortodoncistas en amazon com lea reseñas de productos sinceras e imparciales de nuestros

vida en la clinica dental un sarcastico libro de mario vargas - Feb 27 2022

web vida en la clinica dental un sarcastico libro de eventually you will utterly discover a extra experience and carrying out by spending more cash still vida en la clínica dental papeterie bleu 2023 03 29 ideas de regalo libros de colorear para adultos humor dentistas higienistas

libro vida en la clínica dental un sarcástico libro de col - Feb 10 2023

web libro vida en la clínica dental un sarcástico libro de col descripción ideas de regalo libros de colorear para adultos humordentistas y auxiliares de odontología en realidad sois ninjas odontológicos disfrazados

vida en la clínica dental un sarcástico libro de colorear para - Sep 17 2023

web vida en la clínica dental un sarcástico libro de colorear para adultos un libro antiestrés divertido y original para

dentistas higienistas odontología periodoncistas y ortodoncistas amazon com mx libros

vida en la clinica dental un sarcastico libro de susana - Nov 07 2022

web vida en la clinica dental un sarcastico libro de recognizing the mannerism ways to acquire this book vida en la clinica dental un sarcastico libro de is additionally useful you have remained in right site to start getting this info get the vida en la clinica dental un sarcastico libro de connect that we

vida en la clínica dental un sarcástico libro de colorear para - Oct 18 2023

web vida en la clínica dental un sarcástico libro de colorear para adultos un libro antiestrés divertido y original para dentistas higienistas odontología periodoncistas y ortodoncistas papeterie bleu amazon es libros

the 5 best dental clinics in singapore 2023 guide - Jun 02 2022

web jan 2 2023 travel guide 5 best dental clinics in singapore in 2023 healthcare january 02 2023 image pang ng dental surgery contents 1 canaan dental surgery 2 the kids dentist 3 coast dental 4 tlc dental centre 5 pang ng dental surgery regular visits to the dentist help to keep your teeth in good shape

vida en la clinica dental un sarcastico libro de pdf oferta - Oct 06 2022

web vida en la clinica dental un sarcastico libro de introduction vida en la clinica dental un sarcastico libro de pdf no logo naomi klein 2000 01 15 what corporations fear most are consumers who ask questions naomi klein offers us the arguments with which to take on the superbrands billy bragg from the bookjacket

vida en la clinica dental un sarcastico libro de download only - Dec 08 2022

web en el libro más vendido en el mercado dental mundial este método le proporcionará herramientas innovadoras para la gestión y comercialización de la clínica dental que los ayudará a mejorar el rendimiento de la clínica y a aumentar significativamente las ventas y la rentabilidad la metodología y

41 best dentist and dental clinics in singapore erufu care - Sep 05 2022

web price of dental clinics treatments around singapore we compiled singapore clinics and dentists that are licensed by the ministry of health singapore and verified by erufu care team 41 total dental clinics with popular dental clinics services including wisdom tooth extraction teeth whitening and dental implant average rating 5 over 5

vida en la clínica dental un sarcástico rhur impacthub net - Jul 03 2022

web vida en la clínica dental un sarcástico 1 173rhur impacthub net libro de colorear para adultos un libro 2 173rhur impacthub net antiestrés divertido y original para 3 173rhur impacthub net dentistas higienistas odontología periodoncist 4 173rhur impacthub net as y ortodon cistas by

vida en la clinica dental un sarcastico libro de book - Mar 11 2023

web vida en la clinica dental un sarcastico libro de bulletin of the international dental federation jan 23 2021 con la boca

abierta dec 02 2021 con la boca abierta es un libro que nace con el objetivo de mejorar la gestin la productividad y los resultados de las clinicas dentales a travs de conceptos y modelos propios del management

[amazon com customer reviews vida en la clínica dental un](#) - Jun 14 2023

web find helpful customer reviews and review ratings for vida en la clínica dental un sarcástico libro de colorear para adultos un libro antiestrés divertido y original para dentistas higienistas y ortodoncistas spanish edition at amazon com read honest and unbiased product reviews from our users

vida en la clínica dental un sarcástico libro de colorear para - May 13 2023

web vida en la clínica dental un sarcástico libro de colorear para adultos un libro antiestrés divertido y original para dentistas higienistas den papeterie bleu amazon com be livres

singapore dentistry co uk - May 01 2022

web jul 7 2021 get the most out of your membership by upgrading to silver and unlock a range of benefits

[vida en la clínica dental un sarcástico libro de colorear para](#) - Aug 16 2023

web apr 10 2019 vida en la clínica dental un sarcástico libro de colorear para adultos spanish edition paperback april 10 2019 spanish edition by papeterie bleu author 4 7 25 ratings see all formats and editions paperback 8 99 1 new from 8 99

what is life like as a dentist in singapore dentistry - Aug 04 2022

web jul 8 2021 what is life like as a dentist in singapore 08 july 2021 roshan bains speaks to jaz gulati about working as a dentist in singapore and what he s brought back to working in the uk singapore is a small island nation in south east asia which is just under half the size of london despite its small size singapore is truly a global city

ann latsky nursing college list of courses offered - Feb 28 2022

web here is a list of courses programmes offered by ann latsky nursing college to help prospects in choosing a career to fill during application table of contents hide 1 list of ann latsky nursing college courses offered 2 basic diplomas 2 1 diploma in nursing general community psychiatry and midwifery r425 four years

ann latsky nursing college application 2024 intake - Sep 18 2023

web ann latsky nursing college application 2024 check alnc portal here for 2024 intake the ann latsky nursing college alnc application dates 2024 intake has been announced apply now before the closing dates deadline

snb programme leading to the certification of apn moh - Oct 07 2022

web jul 3 2023 level 2 clinical research centre block md11 10 medical drive singapore 117597 note the master of nursing offered by national university of singapore is the only accredited programme that leads to certification as an advanced practice nurse with singapore nursing board certification as apn smc is responsible for maintaining the

ann latsky nursing college application 2023 2024 - Aug 05 2022

web dec 11 2021 [ann latsky nursing college application 2023 2024 requirement date prospectus courses available registration date fees contact details skip to content 50applications.com](#)

ann latsky nursing college application form 2023 2024 - May 14 2023

web if you want to obtain the ann latsky nursing college application form you must first learn about the entrance requirements for the academic year 2023 2024 the ann latsky nursing college admissions office has made the application form for the 2023 2024 academic year available online

ann latsky nursing college online application form 2023 intake - Apr 01 2022

web ann latsky nursing college online application 2023 2024 intake ann latsky nursing college undergraduate and postgraduate online application is released ann latsky nursing college institution has been accredited by the south african nursing council sanc to offer nursing programmes

snb programmes leading to registration enrolment moh - Jan 10 2023

web oct 21 2022 [school of health sciences 180 ang mo kio ave 8 singapore 569830 past accredited nursing programmes leading to registration and enrolment pdf 113kb smc is responsible for maintaining the register of medical practitioners overseeing cme program and regulating professional conduct and ethics in singapore](#)

ann latsky nursing college online application 2024 - Jun 15 2023

web apr 10 2023 the ann latsky nursing college 2024 application can be done both online and offline you can apply online here in order to apply online you will need a working email address and a functional cell phone number or if you are an international applicant your passport number

[ann latsky nursing college online application 2023 2024](#) - Dec 09 2022

web jan 13 2023 we are pleased and excited to announce to you that the ann latsky nursing college online application 2023 2024 is open for all interested and qualified applicants we are not just making this announcement known but also providing various steps on how to apply online for the ann latsky nursing college online application

ann latsky nursing college online application 2024 - Sep 06 2022

web may 22 2023 ann latsky nursing college online application 2024 are expected to begin on the 1st of august 2023 and end on the 14th of august 2023 although the management of ann latsky nursing college has not released official statements on when the application process is going to begin

ann latsky nursing college application form 2024 online how to apply - Oct 19 2023

web jan 27 2023 the ann latsky nursing college online application form 2024 intake application fee admission entry requirements programmes duration prospectus open day application closing date contact details and fees structure for the 2024 academic year has been released

ann latsky nursing college online application 2023 2024 - Mar 12 2023

web the ann latsky nursing college 2023 2024 application can be done both online and offline you can apply online here in order to apply online you will need a working email address and a functional cell phone number or if you are an international applicant your passport number

ann latsky nursing college application 2023 2024 - Jul 04 2022

web jan 10 2023 phase 1 senior certificate an english pass rate of at least d hg or c sg a biology pass rate of at least d hg or c sg admittance to phase 2 requires a minimum of 15 points how can you know whether you get a 15 point m score using the following scale assign grades to the subjects and symbols on your matriculate certificate

ann latsky nursing college requirements applicationsa - Jun 03 2022

web 1 ann latsky nursing college requirements 2 how to apply 3 list of courses offered at ann latsky nursing college 4 additional information 5 related posts it is worth pointing out that there are minimum requirements and specific programme requirements

snb post registration programmes moh - Feb 11 2023

web sep 19 2023 kings college london united kingdom ngee ann academy apr 2018 feb 2026 bachelor of science nursing practice post registration national university of singapore yong loo lin school of medicine alice lee centre for nursing studies may 2019 may 2024 bachelor of science nursing post registration northumbria

ann latsky nursing college online application 2023 2024 - Apr 13 2023

web editor1 ann latsky nursing college application 2023 ann latsky nursing college online application form admission entry requirements programme duration prospectus application closing date contact details and fee structure for the 2023 academic year ann latsky nursing college online application form 2023

nursing singapore institute of technology singaporetech edu sg - Nov 08 2022

web mar 19 2023 have successfully completed an snb accredited diploma in nursing programme in singapore with a gpa of 3 or above only these two diplomas are accredited nanyang polytechnic diploma in nursing ngee ann polytechnic diploma in health sciences nursing view additional requirements and mandatory medical clearance for

ann latsky nursing college application form 2024 2025 apply - May 02 2022

web nov 14 2023 how to apply for admissions at ann latsky nursing college in 2024 the ann latsky nursing college application form is made easy here at saonlineportal.com for the 2024 academic year the ann latsky nursing college application form 2024 intake application price admission entry requirements program length prospectus

ann latsky nursing college online application form 2024 how to apply - Jul 16 2023

web nov 10 2023 the online admission application form for prospective applicants seeking admission to the ann latsky

nursing college for the 2024 academic year has been made available by both the ann latsky nursing college and
ann latsky nursing college 2023 intake application - Aug 17 2023

web the ann latsky nursing college admission application requirements is available below general things to note before
applying online to nursing school you ll need an email address to complete the application the nsc certificate have you
calculated your aps you ll need to do this before applying south african applicants will need an id number