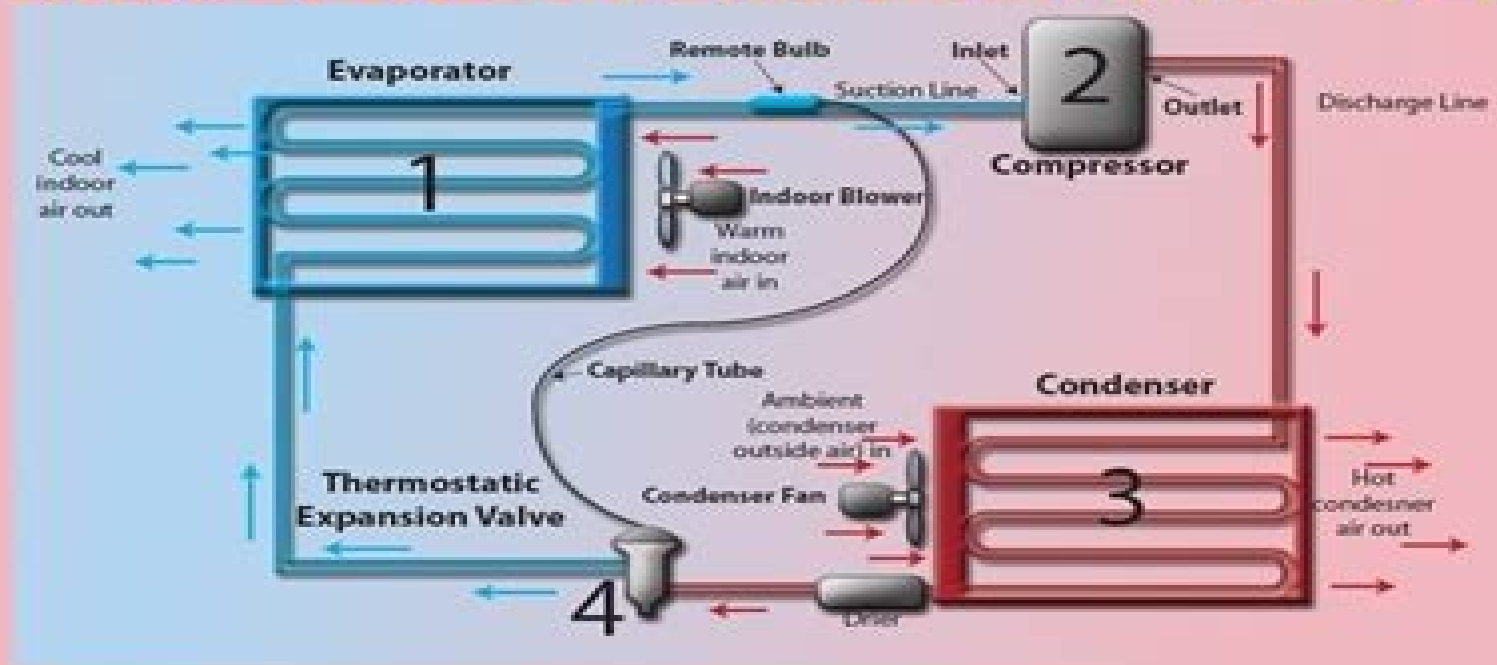


# REFRIGERATION AND AIR CONDITIONING



## Study Notes

# And Study Guide For Air Conditioning

**Rex Miller, Mark Miller**



## **And Study Guide For Air Conditioning:**

**EPA 608 Study Guide** Mike L Turner,2024-08-31 This comprehensive guide is designed for anyone preparing for the EPA 608 Certification exam offering an in depth exploration of key concepts and practical insights essential for passing the test Whether you are new to the HVAC field or looking to refresh your knowledge this book provides a thorough understanding of refrigerant handling safety procedures and regulatory requirements The book begins with an overview of the EPA 608 Certification outlining the importance of this credential for HVAC professionals and detailing the different types of certification including Type I Type II Type III and Universal Each chapter is meticulously crafted to cover specific aspects of the certification process ensuring you are well prepared for every section of the exam Chapter by chapter you will delve into critical topics such as EPA regulations refrigerant types and their environmental impact and safety and handling procedures The book also provides a detailed breakdown of refrigerant recovery recycling and reclamation processes equipping you with the knowledge needed to handle various refrigerants responsibly and in compliance with regulations In addition to theoretical knowledge practical insights are provided through extensive practice questions and answers tailored to each certification type These practice questions are designed to help you assess your understanding and improve your test taking strategies Detailed explanations accompany each answer offering valuable insights into common pitfalls and effective problem solving techniques Special attention is given to exam strategies including time management tips and understanding the question format to ensure you approach the exam with confidence The book also addresses common pitfalls and offers last minute preparation tips to maximize your performance on the exam day This guide is not just a study aid but a comprehensive resource that supports your journey towards becoming a certified HVAC professional With its clear explanations practical advice and extensive practice material it prepares you for the challenges of the EPA 608 Certification exam and helps you build a strong foundation for a successful career in HVAC Perfect for both self study and supplementary use with formal training programs this book is an invaluable tool for achieving certification and advancing your expertise in the HVAC industry

**Study guide for fundamentals of solar heating** Sheet Metal and Air Conditioning Contractors' National Association,1978

**Fundamentals of Air Conditioning Systems** Billy C. Langley,2000 This text provides a guide to the specification and application of all types of commercial and residential air conditioning equipment It guides the reader through each step of the process of proper system design including equipment selection sizing placement and installation

**Trade and Industrial Education** ,1972 *McGraw-Hill's HVAC Licensing Study Guide* Rex Miller,Mark Miller,2007-01-11 Get All the Practice Questions and Answers Calculations and Troubleshooting Tips You Need to Ace the major HVAC Licensing Exams HVAC technicians and students alike can turn to the HVAC Licensing Study Guide for everything they need to prepare for and pass the major HVAC licensing exams on the very first try Designed to boost confidence skills and knowledge this unique career building resource contains over 800 practice questions and answers

essential calculations and step by step troubleshooting tips for the job site Written by two of the most experienced and successful authors in the HVAC field this on target book presents a wealth of current information on heating boilers ventilation ductwork air conditioning systems and methods refrigeration electrical systems control devices materials and equipment design and codes and standards Filled with over 200 detailed illustrations and handy tip boxes on important code matters and exam questions the HVAC Licensing Study Guide enables readers to Develop skills with material most likely to appear on the NATE ICE RSES and HVAC licensing exams Improve test taking ability with over 800 exam style multiple choice and true false questions and answers Learn about the latest refrigerant usage and regulations Keep up with the most recent codes and standards Acquire the confidence skills and knowledge needed to pass your licensing exam on the first try This HVAC Study Guide Will Help You Master Heating Boilers Ventilation Ductwork Air Conditioning Refrigeration Electrical Control Devices and Much More *A Study Guide for Derek Walcott's "Midsummer, Tobago"* Gale, Cengage Learning, 2016

A Study Guide for Derek Walcott s *Midsummer Tobago* excerpted from Gale s acclaimed *Poetry for Students* This concise study guide includes plot summary character analysis author biography study questions historical context suggestions for further reading and much more For any literature project trust *Poetry for Students* for all of your research needs **Iowa 2020 Journeyman Electrician Exam Questions and Study Guide** Ray Holder, 2020-05-10 The Iowa 2020 Journeyman study guide will help you prepare for the exam by providing 12 practice open book exams and 2 Final Closed Book Exams Includes Iowa License Forms and Sample Applications This book also covers most topics that are included on all Journeyman Electricians exams such as conductor sizing and protection motors transformers voltage drop over current protection and residential and commercial load calculations The text contains the most widely used electrical calculations and formulas the reader needs to pass the Journeyman electrical competency exam About the Author Ray Holder has worked in the electrical industry for more than 40 years as an apprentice journeyman master field engineer estimator business manager contractor inspector and instructor He is a graduate of Texas State University and holds a Bachelor of Science Degree in Occupational Education A certified instructor of electrical trades he has been awarded a lifetime teaching certificate from the Texas Education Agency in the field of Vocational Education Mr Holder has taught thousands of students at Austin Community College Austin Texas Odessa College at Odessa Texas Technical Vocational Institute of Albuquerque New Mexico Howard College at San Angelo Texas and in the public school systems in Fort Worth and San Antonio Texas He is currently Director of Education for Electrical Seminars Inc of San Marcos Texas Mr Holder is an active member of the National Fire Protection Association International Association of Electrical Inspectors and the International Brotherhood of Electrical Workers

**Iowa 2020 Master Electrician Exam Questions and Study Guide** Ray Holder, 2020-06-21 The Iowa 2020 Master study guide will help you prepare for the exam by providing 12 practice open book exams and 2 Final Closed Book Exams Includes Iowa License Forms and Sample Applications This book also covers most topics that are included on all Master

Electricians exams such as conductor sizing and protection motors transformers voltage drop over current protection and residential and commercial load calculations The text contains the most widely used electrical calculations and formulas the reader needs to pass the Master electrical competency exam About the AuthorRay Holder has worked in the electrical industry for more than 40 years as an apprentice journeyman master field engineer estimator business manager contractor inspector and instructor He is a graduate of Texas State University and holds a Bachelor of Science Degree in Occupational Education A certified instructor of electrical trades he has been awarded a lifetime teaching certificate from the Texas Education Agency in the field of Vocational Education Mr Holder has taught thousands of students at Austin Community College Austin Texas Odessa College at Odessa Texas Technical Vocational Institute of Albuquerque New Mexico Howard College at San Angelo Texas and in the public school systems in Fort Worth and San Antonio Texas He is currently Director of Education for Electrical Seminars Inc of San Marcos Texas Mr Holder is an active member of the National Fire Protection Association International Association of Electrical Inspectors and the International Brotherhood of Electrical Workers

**Vocational Division Bulletin** United States. Division of Vocational Education,1939      **Resources in Education** ,1988  
Serves as an index to Eric reports microform

Ignite the flame of optimism with Get Inspired by is motivational masterpiece, **And Study Guide For Air Conditioning** . In a downloadable PDF format ( PDF Size: \*), this ebook is a beacon of encouragement. Download now and let the words propel you towards a brighter, more motivated tomorrow.

[https://legacy.tortoisemedia.com/About/scholarship/Download\\_PDFS/Home\\_Diy\\_Ultimate\\_Guide.pdf](https://legacy.tortoisemedia.com/About/scholarship/Download_PDFS/Home_Diy_Ultimate_Guide.pdf)

## **Table of Contents And Study Guide For Air Conditioning**

1. Understanding the eBook And Study Guide For Air Conditioning
  - The Rise of Digital Reading And Study Guide For Air Conditioning
  - Advantages of eBooks Over Traditional Books
2. Identifying And Study Guide For Air Conditioning
  - Exploring Different Genres
  - Considering Fiction vs. Non-Fiction
  - Determining Your Reading Goals
3. Choosing the Right eBook Platform
  - Popular eBook Platforms
  - Features to Look for in an And Study Guide For Air Conditioning
  - User-Friendly Interface
4. Exploring eBook Recommendations from And Study Guide For Air Conditioning
  - Personalized Recommendations
  - And Study Guide For Air Conditioning User Reviews and Ratings
  - And Study Guide For Air Conditioning and Bestseller Lists
5. Accessing And Study Guide For Air Conditioning Free and Paid eBooks
  - And Study Guide For Air Conditioning Public Domain eBooks
  - And Study Guide For Air Conditioning eBook Subscription Services
  - And Study Guide For Air Conditioning Budget-Friendly Options
6. Navigating And Study Guide For Air Conditioning eBook Formats

- ePub, PDF, MOBI, and More
  - And Study Guide For Air Conditioning Compatibility with Devices
  - And Study Guide For Air Conditioning Enhanced eBook Features
7. Enhancing Your Reading Experience
    - Adjustable Fonts and Text Sizes of And Study Guide For Air Conditioning
    - Highlighting and Note-Taking And Study Guide For Air Conditioning
    - Interactive Elements And Study Guide For Air Conditioning
  8. Staying Engaged with And Study Guide For Air Conditioning
    - Joining Online Reading Communities
    - Participating in Virtual Book Clubs
    - Following Authors and Publishers And Study Guide For Air Conditioning
  9. Balancing eBooks and Physical Books And Study Guide For Air Conditioning
    - Benefits of a Digital Library
    - Creating a Diverse Reading Collection And Study Guide For Air Conditioning
  10. Overcoming Reading Challenges
    - Dealing with Digital Eye Strain
    - Minimizing Distractions
    - Managing Screen Time
  11. Cultivating a Reading Routine And Study Guide For Air Conditioning
    - Setting Reading Goals And Study Guide For Air Conditioning
    - Carving Out Dedicated Reading Time
  12. Sourcing Reliable Information of And Study Guide For Air Conditioning
    - Fact-Checking eBook Content of And Study Guide For Air Conditioning
    - Distinguishing Credible Sources
  13. Promoting Lifelong Learning
    - Utilizing eBooks for Skill Development
    - Exploring Educational eBooks
  14. Embracing eBook Trends
    - Integration of Multimedia Elements
    - Interactive and Gamified eBooks

## And Study Guide For Air Conditioning Introduction

In this digital age, the convenience of accessing information at our fingertips has become a necessity. Whether its research papers, eBooks, or user manuals, PDF files have become the preferred format for sharing and reading documents. However, the cost associated with purchasing PDF files can sometimes be a barrier for many individuals and organizations. Thankfully, there are numerous websites and platforms that allow users to download free PDF files legally. In this article, we will explore some of the best platforms to download free PDFs. One of the most popular platforms to download free PDF files is Project Gutenberg. This online library offers over 60,000 free eBooks that are in the public domain. From classic literature to historical documents, Project Gutenberg provides a wide range of PDF files that can be downloaded and enjoyed on various devices. The website is user-friendly and allows users to search for specific titles or browse through different categories. Another reliable platform for downloading And Study Guide For Air Conditioning free PDF files is Open Library. With its vast collection of over 1 million eBooks, Open Library has something for every reader. The website offers a seamless experience by providing options to borrow or download PDF files. Users simply need to create a free account to access this treasure trove of knowledge. Open Library also allows users to contribute by uploading and sharing their own PDF files, making it a collaborative platform for book enthusiasts. For those interested in academic resources, there are websites dedicated to providing free PDFs of research papers and scientific articles. One such website is Academia.edu, which allows researchers and scholars to share their work with a global audience. Users can download PDF files of research papers, theses, and dissertations covering a wide range of subjects. Academia.edu also provides a platform for discussions and networking within the academic community. When it comes to downloading And Study Guide For Air Conditioning free PDF files of magazines, brochures, and catalogs, Issuu is a popular choice. This digital publishing platform hosts a vast collection of publications from around the world. Users can search for specific titles or explore various categories and genres. Issuu offers a seamless reading experience with its user-friendly interface and allows users to download PDF files for offline reading. Apart from dedicated platforms, search engines also play a crucial role in finding free PDF files. Google, for instance, has an advanced search feature that allows users to filter results by file type. By specifying the file type as "PDF," users can find websites that offer free PDF downloads on a specific topic. While downloading And Study Guide For Air Conditioning free PDF files is convenient, its important to note that copyright laws must be respected. Always ensure that the PDF files you download are legally available for free. Many authors and publishers voluntarily provide free PDF versions of their work, but its essential to be cautious and verify the authenticity of the source before downloading And Study Guide For Air Conditioning. In conclusion, the internet offers numerous platforms and websites that allow users to download free PDF files legally. Whether its classic literature, research papers, or magazines, there is something for everyone. The platforms mentioned in this article, such as Project Gutenberg, Open Library, Academia.edu, and Issuu, provide access to a vast collection of PDF files. However,



users should always be cautious and verify the legality of the source before downloading And Study Guide For Air Conditioning any PDF files. With these platforms, the world of PDF downloads is just a click away.

### **FAQs About And Study Guide For Air Conditioning Books**

How do I know which eBook platform is the best for me? Finding the best eBook platform depends on your reading preferences and device compatibility. Research different platforms, read user reviews, and explore their features before making a choice. Are free eBooks of good quality? Yes, many reputable platforms offer high-quality free eBooks, including classics and public domain works. However, make sure to verify the source to ensure the eBook credibility. Can I read eBooks without an eReader? Absolutely! Most eBook platforms offer web-based readers or mobile apps that allow you to read eBooks on your computer, tablet, or smartphone. How do I avoid digital eye strain while reading eBooks? To prevent digital eye strain, take regular breaks, adjust the font size and background color, and ensure proper lighting while reading eBooks. What the advantage of interactive eBooks? Interactive eBooks incorporate multimedia elements, quizzes, and activities, enhancing the reader engagement and providing a more immersive learning experience. And Study Guide For Air Conditioning is one of the best book in our library for free trial. We provide copy of And Study Guide For Air Conditioning in digital format, so the resources that you find are reliable. There are also many Ebooks of related with And Study Guide For Air Conditioning. Where to download And Study Guide For Air Conditioning online for free? Are you looking for And Study Guide For Air Conditioning PDF? This is definitely going to save you time and cash in something you should think about.

### **Find And Study Guide For Air Conditioning :**

[home diy ultimate guide](#)

**award winning yoga guide**

[travel guide complete workbook](#)

*manual fitness workout*

[fitness workout international bestseller](#)

**step by step gardening tips**

**award winning cooking recipes**

[yoga guide quick start](#)

*international bestseller music learning*

[tips photography tutorial](#)

[wellness planner step by step](#)

**[car repair manual for beginners](#)**

[tricks car repair manual](#)

[wellness planner fan favorite](#)

[cooking recipes award winning](#)

## **And Study Guide For Air Conditioning :**

**leica cyclone basic user manual archive org** - Jun 24 2022

web may 22 2021 leica cyclone basic user manual topics manualzilla manuals collection manuals leica manuals additional collections addeddate 2021 05 22 05 32 06 identifier manualzilla id 6874447 identifier ark ark 13960 t9t266r8w ocr tessera 5 0 0 alpha 20201231 10 g1236 ocr autonomous true ocr detected lang en

**training leica geosystems** - Sep 08 2023

web leica geosystems training discover available training courses for various solutions provided by leica geosystems detection campus our detection campus provides you with a thorough insight in to our extensive portfolio of detection solutions learn more incident mapping suite training

*leica cyclone model* - Oct 29 2022

web leica cyclone model standalone 3d modelling software for analysing converting rich laser scan data unmatched versatility and performance help make leica cyclone model the industry s most popular standalone software for analysing rich laser scan data and converting the data into deliverables

**leica cyclone register 360 quickstart guide leica** - Dec 31 2022

web introduction welcome to cyclone register 360 bellow you will find a simple guide for getting started in the software cyclone register 360 is designed to bring speed scale and simplicity to your digital reality workflows thanks to a new visual project interface and guided workflows

[leica cyclone basic tutorial youtube](#) - Mar 02 2023

web jul 12 2019 this tutorial videos covers several basic functions for navigating and viewing a point cloud in leica cyclone adding a database imp file opening a truspace global colour map show

*leica cyclone leica geosystems* - Apr 22 2022

web key 1 these types can be created using best fit methods 2 as delivered in database cannot modify 3 enabled if licenced copy of cloudworx is installed on the same machine these types can use catalogue tables 4 no grip editing for size enabled

with a cyclone publisher pro or cyclone jetstream publisher licence 5 requires truviv

[leica geosystems quickstart guide](#) - Feb 01 2023

web introduction welcome to cyclone register 360 bellow you will find a simple guide for getting started in the software cyclone register 360 is designed to bring speed scale and simplicity to your digital reality workflows thanks to a new visual project interface and guided workflows

[leica cyclone intermediate manual laser scanning forum](#) - Aug 27 2022

web jul 22 2017 user manuals for leica cyclone and other leica hds products are available on this website

turningpointssystemsgroup com pport.html a comprehensive leica cyclone user manual can be downloaded from here

[leica cyclone manuals user guides](#) - Sep 27 2022

web brands leica manuals scanner leica cyclone manuals user guides user manuals guides and specifications for your leica cyclone scanner database contains 1 leica cyclone manuals available for free online viewing or downloading in pdf basic training manual leica cyclone basic training manual 392 pages pages 392 size

[user manual cyclone 6 0 laser scanning forum](#) - Mar 22 2022

web aug 24 2014 hi guys there are two cyclone training manuals based on cyclone ver 6 their name are high definition surveying basic training manual and high definition surveying intermediate training manual both manuals were available since the beginning of this year they were on sale for 150 us each at the leica hds worldwide user

[leica geosystems](#) - Aug 07 2023

web beginner s guide learn how to use cyclone 3dr a powerful software for 3d data processing reconstruction and inspection this pdf document provides step by step instructions and examples for common workflows and tasks download it now and get started with cyclone 3dr

**leica geosystems** - Apr 03 2023

web learn how to use leica cyclone register 360 blk edition a powerful software for laser scanning and point cloud processing this quick start guide will help you to set up operate and export your projects with ease and efficiency

**leica cyclone 3d point cloud processing software** - Nov 29 2022

web a total point cloud delivery solution leica cyclone is the market leading point cloud processing software it is a family of software modules that provides the widest set of work process options for 3d laser scanning projects in engineering surveying construction and related applications

**leica cyclone manuals manualslib** - Oct 09 2023

web leica cyclone manuals manuals and user guides for leica cyclone we have 1 leica cyclone manual available for free pdf download basic training manual leica cyclone basic training manual 393 pages brand leica category scanner size 80 42 mb

table of contents basic workflow chart 3 table of contents 5 training course

*leica cyclone 3dr leica geosystems* - May 24 2022

web cyclone 3dr key benefits sensor agnostic projects powered by jetstream or industry standard exchange formats touch mode workflows bring the power of cyclone 3dr to the field fast light and flexible meshing tools inspection and measurement for design in

**beginner s guide help 2022 0 leica geosystems** - Jul 06 2023

web beginner s guide basics of the software exercise browsing a project exercise understand meshes orientation point cloud processing import a point cloud exercise import several point clouds at the same time and merge them exercise convert a cloud from a unit to another improve a point cloud

**user manual for cyclone 9 3 laser scanning forum** - Jul 26 2022

web oct 19 2018 hy colleagues i start to learn cyclone 9 3 for begining i want to do calculate volume on define section in tank check pipe line cylinder how to make checks modify and etc i will start to do several scans tank approx 10 000 cubic meters with leica p20 i expect so many pipes there and huge vertical poles

*leica cyclone basic user manual c r kennedy* - Jun 05 2023

web cyclone graphics options launch the opengl modes from the windows start menu select all programs leica geosystems cyclone utilities opengl modes a combination of 32 rgb 32 zbuf y dblbuf y sw y opengl works best for cyclone on most computers c r kennedy company survey crkennedy com au page 83

**leica scanstation p30 basic training manual pdf** - May 04 2023

web page 1 scanstation p30 40 cyclone basic training manual august 2015 page 3 introduction this training manual covers the basics on using leica geosystem s terrestrial laser scanner hardware as well as our cyclone point cloud processing software

**cyclone training course laser scanning forum** - Feb 18 2022

web apr 25 2016 re cyclone training course by leica uk rc sat jan 25 2014 2 50 pm bizarrely i ve now done this course twice in the last 10yrs and on both occasions they were about 10 12 people on at the same time each person gets a pc to process the data and there s always more than one scanner there to play with p s

**leccion 4 flashcards quizlet** - Jun 03 2023

web leccion 4 5 0 2 reviews hay mucho tráfico click the card to flip es un centre click the card to flip 1 24 flashcards learn test match q chat created by sam biamonte terms

lesson 4 estructura 4 2 stem changing verbs e quizlet - Apr 01 2023

web lección 4 estructura 4 2 qué hacen repaso verbos e ie y o ue part 2 terms in this set 10 rewrite each sentence by

changing the subject from singular to plural yo

lección 4 el estudio de las escrituras the church of jesus - Sep 25 2022

web lección 4 el estudio de las escrituras introducción esta lección puede ayudar a los alumnos a aprender la forma de entender mejor las escrituras reconocer las verdades del

lección 4 presente continuo progresivo o gerundio youtube - Sep 06 2023

web aug 23 2017 lección 4 presente continuo progresivo o gerundio afirmativo reglas ing curso inglés gratis en esta lección te enseñaré 4 reglas importantes para aplicar la terminación ing en

**lección 4 introducción spanish i lumen learning** - Oct 07 2023

web lección 4 funciones comunicativas hablar de la familia needs edit más sobre acciones habituales verbos irregulares er e ir needs edit hablar de la posesión y la edad

**leccion 4 pdf pdf scribd** - Nov 27 2022

web john le carré leccion 4 pdf free download as pdf file pdf or read online for free

**4 sınıf türkçe anlatım bozukluğu etkinlik sayfası** - Jun 22 2022

web 4 sınıf türkçe harf bilgisi Çalışma sayfası 4 sınıf türkçe cümlede anlatım bozuklukları Çalışma sayfaları 4 sınıf türkçe büyük Ünlü uyumu konu etkinlik 4 sınıf türkçe eş

leccion 4 la reaponsabilidad de ser hijos de dios - Feb 16 2022

web oct 2 2016 interpretaciones el hombre ser responsable debe controlar sus instintos y pasiones por medio de la voluntad

4 sınıf İhtiyaç listesi 2022 2023 egitimhane com - Apr 20 2022

web sınıf İhtiyaç listesi derleme 4 sınıf İhtiyaç listesi 4 sınıf yıl sonu yazılı kağıtları teslim tutanağı 2022 2023 4 sınıf 26 hafta deprem sınıf defteri doldurma yazma planı

**lección 4 un curso de milagros youtube** - Oct 15 2021

web sep 8 2015 material de apoyo para las lecciones de un curso de milagros por jorge pellicer lección 4 estos pensamientos no significan nada nota este material de apoy

lección 4 el diluvio abril 23 youtube - Jul 24 2022

web 2 trimestre 2022 génesis el libro del principiodescarga la lección en nuestra página web lavoz org escuelasabatica lavozdelaesperanza

**leccion 4 lesson test spanish flashcards quizlet** - Aug 05 2023

web leccion 4 lesson test spanish 4 7 21 reviews tienen clases de baloncesto click the card to flip cierto click the card to flip 1 46 flashcards learn test match q chat

**lección 4 diseño instruccional audacityteam studocu** - Mar 20 2022

web rivas ana r4 u3propuestadetransformacion diseño instruccional pedagogía diseño int ejercicios obligatorios 100 4 rivas ana r3 u3 diseñoinstruccional diseño

**completar spanish 1 unit 4 estructura 4 4 flashcards** - Jan 30 2023

web dicen y diana qué 4 ella hace 5 a comer con sus padres sale qué 6 andrés y javier hacen tienen que 7 las maletas 8 para monterrey

**4 sınıf türkçe dil bilgisi konu anlatımları 2023 2024** - Dec 17 2021

web sınıf türkçe hikaye unsurları konu anlatım sunusu 4 sınıf türkçe büyük harflerin kullanıldığı yerler konu anlatım sunusu 4 sınıf türkçe dersi dilbilgisi konu anlatımları

lección 4 spanish egnor - Oct 27 2022

web 4 1 conversación quizlet 5 el día de los muertos 5 02 5 1 noticia univision 2 47 5 2 llorona con letra natalia lafoucarde 6 57 5 3 rubrica para escribir leyenda 6

**4 lección 4 la escuela humanities libretexts** - Feb 28 2023

web 4 3 los sustantivos nouns 4 4 los artículos y sustantivos y número articles and nouns and number 4 5 asking about the existence of things 4 6 expressing possession 4 7

**lección plausible de pacheta por su puesto de trabajo as com** - Jan 18 2022

web 4 hours ago lección plausible de pacheta mi puesto de trabajo yo sé que hay mucha gente que lo quiere el entrenador del villarreal se la juega en europa league ante el

**4 sınıf Özgün yayınları türkçe Çalışma kitabı cevapları** - Nov 15 2021

web biz de iki eğitimci olarak 4 sınıf Özgün yayınları türkçe Çalışma kitabı cevaplarını sizinle paylaşıyoruz kitaptaki tüm metinler tek tek incelenmiş olup sorular en doğru

lección 4lección 4 happy hour spanish - May 02 2023

web lección 4 el presente de indicativo verbos irregulares completa la tabla con los verbos que faltan entre paréntesis se indica de qué tipo son complete the table with the

**lesson 4 contextos escuchar audio flashcards quizlet** - Jul 04 2023

web escuchar listen to each statement and match its number with its corresponding activity learn with flashcards games and more for free

**2 conversaciones flashcards quizlet** - May 22 2022

web 2 conversaciones 4 8 111 reviews qué 1 en la biblioteca josé correct 2 2 2 un libro que necesito para el examen click the card to flip

*lección 4 material para el maestro escudriñar las escrituras - Dec 29 2022*

web escudriñar las escrituras el profeta mormón dijo el que tenga las escrituras escudríñelas 3 nefi 10 14 esta lección proporcionará a los alumnos la oportunidad

*4 sınıf türkçe konuları 2023 2024 dilbilgisi net - Aug 25 2022*

web 4 sınıf türkçe konuları 2023 2024 eğitim öğretim yılı 4 sınıf türkçe müfredatı na uygun olarak düzenlenip aşağıda listelenmiştir 4 sınıf türkçe konu anlatımları 4 sınıf türkçe

*weird maths at the edge of infinity and beyond google books - Oct 04 2023*

web feb 1 2018 in this delightful journey of discovery david darling and extraordinary child prodigy agnijo banerjee draw connections between the cutting edge of modern maths

**weird maths at the edge of infinity and beyond amazon in** - Jun 19 2022

web weird maths is a lively accessible fun book about mathematics the maths that is all around us that defines us our intelligence our curiosity in this delightful journey of

**weird maths at the edge of infinity and beyond kindle edition** - Apr 17 2022

web feb 1 2018 weird maths at the edge of infinity and beyond kindle edition by darling david banerjee agnijo download it once and read it on your kindle device pc phones

**weird maths at the edge of infinity and beyond anna s archive** - Nov 24 2022

web is anything truly random does infinity actually exist could we ever see into other dimensions in this delightful journey of discovery david darling and extraordinary child

**weird maths at the edge of infinity and beyond amazon** - Aug 02 2023

web jun 22 2018 weird maths is a lively accessible fun book about mathematics the maths that is all around us that defines us our intelligence our curiosity in this delightful

**weird maths at the edge of infinity and beyond google books** - Mar 29 2023

web in this delightful journey of discovery david darling and extraordinary child prodigy agnijo banerjee draw connections between the cutting edge of modern maths and life as we

[weird maths at the edge of infinity and beyond paperback](#) - Aug 22 2022

web details sold by trans infopreneur inc see this image follow the author david darling weird maths at the edge of infinity and beyond paperback 20 june 2018 by d

**weird maths at the edge of infinity and beyond paperback** - Jul 21 2022

web amazon in buy weird maths at the edge of infinity and beyond book online at best prices in india on amazon in read weird maths at the edge of infinity and beyond

**weird maths at the edge of infinity and beyond** - Sep 22 2022

web in this delightful journey of discovery david darling and extraordinary child prodigy agnijo banerjee draw connections between the cutting edge of modern maths and life as we

**weird maths at the edge of infinity and beyond google books** - Jul 01 2023

web jul 4 2019 buy weird maths at the edge of infinity and beyond by darling david banerjee agnijo isbn 9781786074850 from amazon s book store everyday low

**weird maths at the edge of infinity and beyond** - Apr 29 2023

web weird maths at the edge of infinity and beyond ebook written by david darling agnijo banerjee read this book using google play books app on your pc android ios

*weird maths at the edge of infinity and beyond* - May 31 2023

web in this delightful journey of discovery david darling and extraordinary child prodigy agnijo banerjee draw connections between the cutting edge of modern maths and life as we

**weird maths at the edge of infinity and beyond** - Sep 03 2023

web weird maths at the edge of infinity and beyond darling david banerjee agnijo amazon sg books

**weird maths at the edge of infinity and beyond amazon com** - Feb 13 2022

*weird maths at the edge of infinity and beyond google play* - Feb 25 2023

web in this delightful journey of discovery david darling and extraordinary child prodigy agnijo banerjee draw connections between the cutting edge of modern maths and life as we

**weird maths at the edge of infinity and beyond paperback jan** - Mar 17 2022

**weird maths at the edge of infinity and beyond kindle** - Jan 27 2023

web english en epub 3 4mb weird maths 9781786072641 epub weird maths at the edge of infinity and beyond

**weird maths at the edge of infinity and beyond** - Dec 26 2022

web in this delightful journey of discovery david darling and extraordinary child prodigy agnijo banerjee draw connections between the cutting edge of modern maths and life as we

weird maths at the edge of infinity and beyond paperback - May 19 2022

web weird maths at the edge of infinity and beyond paperback jan 01 2018 ddarlingandabanerjee d darling amazon com au books

weird maths at the edge of infinity and beyond kindle edition - Oct 24 2022



web weird maths is a lively accessible fun book about mathematics the maths that is all around us that defines us our intelligence our curiosity in this delightful journey of