

Page Thumbnails

🗑 🗑 🗑 🗑 🗑



16



17



18

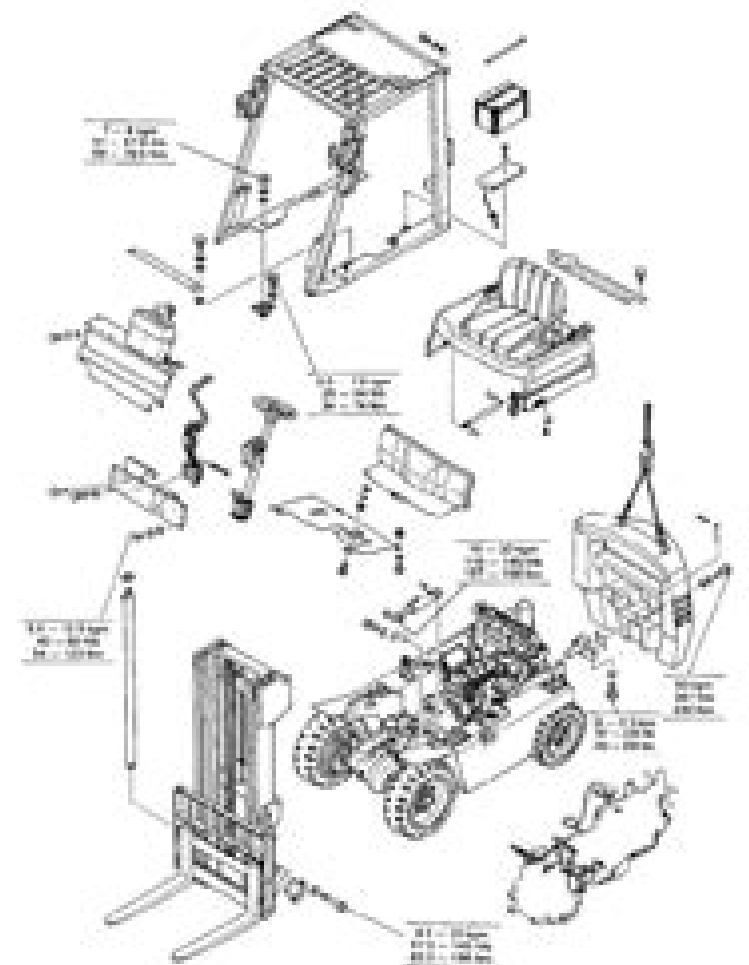


19



20

### OVERALL DISASSEMBLY AND ASSEMBLY



# Ram 15shop Manual

**David Baud**



**Ram 15shop Manual:**

**Molder 3 & 2** United States. Bureau of Naval Personnel,1970      **International Electronics Directory '90** C. G. Wedgwood,2013-10-22 **International Electronics Directory 90** Third Edition The Guide to European Manufacturers Agents and Applications Part 1 comprises a directory of various manufacturers in Europe and a directory of agents in Europe This book contains a classified directory of electronic products and services where both manufacturers and agents are listed This edition is organized into two sections Section 1 provides details of manufacturers including number of employees production program names of managers as well as links with other companies The entries are listed alphabetically on a country by country basis Section 2 provides information concerning agents or representatives including names of manufacturers represented names of managers number of employees and range of products handled A number of these companies are also active in manufacturing and so appear in both Section 1 and Section 2 This book is a valuable resource for private consumers

**Automotive Principles and Service** Frank J. Thiessen,Davis N. Dales,1994      Commercial Leisure Services John J. Bullaro,Christopher R. Edginton,1986      **The Sextant Series for Exploring Your Future** ,1962      **The Educator-journal** ,1919      **Soviet Engineering Research** ,1983      The Churchman ,1915      **Readers' Guide to Periodical Literature** ,1915      **Collins Dictionary of the English Language** Patrick Hanks,1979 Dictionary of the English language

Eventually, you will certainly discover a further experience and skill by spending more cash. nevertheless when? reach you give a positive response that you require to acquire those all needs bearing in mind having significantly cash? Why dont you attempt to acquire something basic in the beginning? Thats something that will lead you to comprehend even more almost the globe, experience, some places, past history, amusement, and a lot more?

It is your entirely own time to decree reviewing habit. among guides you could enjoy now is **Ram 15shop Manual** below.

[https://legacy.tortoisemedia.com/About/detail/Documents/review\\_investing.pdf](https://legacy.tortoisemedia.com/About/detail/Documents/review_investing.pdf)

## **Table of Contents Ram 15shop Manual**

1. Understanding the eBook Ram 15shop Manual
  - The Rise of Digital Reading Ram 15shop Manual
  - Advantages of eBooks Over Traditional Books
2. Identifying Ram 15shop Manual
  - Exploring Different Genres
  - Considering Fiction vs. Non-Fiction
  - Determining Your Reading Goals
3. Choosing the Right eBook Platform
  - Popular eBook Platforms
  - Features to Look for in an Ram 15shop Manual
  - User-Friendly Interface
4. Exploring eBook Recommendations from Ram 15shop Manual
  - Personalized Recommendations
  - Ram 15shop Manual User Reviews and Ratings
  - Ram 15shop Manual and Bestseller Lists
5. Accessing Ram 15shop Manual Free and Paid eBooks
  - Ram 15shop Manual Public Domain eBooks

- Ram 15shop Manual eBook Subscription Services
- Ram 15shop Manual Budget-Friendly Options
- 6. Navigating Ram 15shop Manual eBook Formats
  - ePub, PDF, MOBI, and More
  - Ram 15shop Manual Compatibility with Devices
  - Ram 15shop Manual Enhanced eBook Features
- 7. Enhancing Your Reading Experience
  - Adjustable Fonts and Text Sizes of Ram 15shop Manual
  - Highlighting and Note-Taking Ram 15shop Manual
  - Interactive Elements Ram 15shop Manual
- 8. Staying Engaged with Ram 15shop Manual
  - Joining Online Reading Communities
  - Participating in Virtual Book Clubs
  - Following Authors and Publishers Ram 15shop Manual
- 9. Balancing eBooks and Physical Books Ram 15shop Manual
  - Benefits of a Digital Library
  - Creating a Diverse Reading Collection Ram 15shop Manual
- 10. Overcoming Reading Challenges
  - Dealing with Digital Eye Strain
  - Minimizing Distractions
  - Managing Screen Time
- 11. Cultivating a Reading Routine Ram 15shop Manual
  - Setting Reading Goals Ram 15shop Manual
  - Carving Out Dedicated Reading Time
- 12. Sourcing Reliable Information of Ram 15shop Manual
  - Fact-Checking eBook Content of Ram 15shop Manual
  - Distinguishing Credible Sources
- 13. Promoting Lifelong Learning
  - Utilizing eBooks for Skill Development
  - Exploring Educational eBooks

#### 14. Embracing eBook Trends

- Integration of Multimedia Elements
- Interactive and Gamified eBooks

### **Ram 15shop Manual Introduction**

In today's digital age, the availability of Ram 15shop Manual books and manuals for download has revolutionized the way we access information. Gone are the days of physically flipping through pages and carrying heavy textbooks or manuals. With just a few clicks, we can now access a wealth of knowledge from the comfort of our own homes or on the go. This article will explore the advantages of Ram 15shop Manual books and manuals for download, along with some popular platforms that offer these resources. One of the significant advantages of Ram 15shop Manual books and manuals for download is the cost-saving aspect. Traditional books and manuals can be costly, especially if you need to purchase several of them for educational or professional purposes. By accessing Ram 15shop Manual versions, you eliminate the need to spend money on physical copies. This not only saves you money but also reduces the environmental impact associated with book production and transportation. Furthermore, Ram 15shop Manual books and manuals for download are incredibly convenient. With just a computer or smartphone and an internet connection, you can access a vast library of resources on any subject imaginable. Whether you're a student looking for textbooks, a professional seeking industry-specific manuals, or someone interested in self-improvement, these digital resources provide an efficient and accessible means of acquiring knowledge. Moreover, PDF books and manuals offer a range of benefits compared to other digital formats. PDF files are designed to retain their formatting regardless of the device used to open them. This ensures that the content appears exactly as intended by the author, with no loss of formatting or missing graphics. Additionally, PDF files can be easily annotated, bookmarked, and searched for specific terms, making them highly practical for studying or referencing. When it comes to accessing Ram 15shop Manual books and manuals, several platforms offer an extensive collection of resources. One such platform is Project Gutenberg, a nonprofit organization that provides over 60,000 free eBooks. These books are primarily in the public domain, meaning they can be freely distributed and downloaded. Project Gutenberg offers a wide range of classic literature, making it an excellent resource for literature enthusiasts. Another popular platform for Ram 15shop Manual books and manuals is Open Library. Open Library is an initiative of the Internet Archive, a non-profit organization dedicated to digitizing cultural artifacts and making them accessible to the public. Open Library hosts millions of books, including both public domain works and contemporary titles. It also allows users to borrow digital copies of certain books for a limited period, similar to a library lending system. Additionally, many universities and educational institutions have their own digital libraries that provide free access to PDF books and manuals. These libraries often offer academic texts, research papers, and technical manuals,

making them invaluable resources for students and researchers. Some notable examples include MIT OpenCourseWare, which offers free access to course materials from the Massachusetts Institute of Technology, and the Digital Public Library of America, which provides a vast collection of digitized books and historical documents. In conclusion, Ram 15shop Manual books and manuals for download have transformed the way we access information. They provide a cost-effective and convenient means of acquiring knowledge, offering the ability to access a vast library of resources at our fingertips. With platforms like Project Gutenberg, Open Library, and various digital libraries offered by educational institutions, we have access to an ever-expanding collection of books and manuals. Whether for educational, professional, or personal purposes, these digital resources serve as valuable tools for continuous learning and self-improvement. So why not take advantage of the vast world of Ram 15shop Manual books and manuals for download and embark on your journey of knowledge?

### FAQs About Ram 15shop Manual Books

1. Where can I buy Ram 15shop Manual books? Bookstores: Physical bookstores like Barnes & Noble, Waterstones, and independent local stores. Online Retailers: Amazon, Book Depository, and various online bookstores offer a wide range of books in physical and digital formats.
2. What are the different book formats available? Hardcover: Sturdy and durable, usually more expensive. Paperback: Cheaper, lighter, and more portable than hardcovers. E-books: Digital books available for e-readers like Kindle or software like Apple Books, Kindle, and Google Play Books.
3. How do I choose a Ram 15shop Manual book to read? Genres: Consider the genre you enjoy (fiction, non-fiction, mystery, sci-fi, etc.). Recommendations: Ask friends, join book clubs, or explore online reviews and recommendations. Author: If you like a particular author, you might enjoy more of their work.
4. How do I take care of Ram 15shop Manual books? Storage: Keep them away from direct sunlight and in a dry environment. Handling: Avoid folding pages, use bookmarks, and handle them with clean hands. Cleaning: Gently dust the covers and pages occasionally.
5. Can I borrow books without buying them? Public Libraries: Local libraries offer a wide range of books for borrowing. Book Swaps: Community book exchanges or online platforms where people exchange books.
6. How can I track my reading progress or manage my book collection? Book Tracking Apps: Goodreads, LibraryThing, and Book Catalogue are popular apps for tracking your reading progress and managing book collections. Spreadsheets: You can create your own spreadsheet to track books read, ratings, and other details.

7. What are Ram 15shop Manual audiobooks, and where can I find them? Audiobooks: Audio recordings of books, perfect for listening while commuting or multitasking. Platforms: Audible, LibriVox, and Google Play Books offer a wide selection of audiobooks.
8. How do I support authors or the book industry? Buy Books: Purchase books from authors or independent bookstores. Reviews: Leave reviews on platforms like Goodreads or Amazon. Promotion: Share your favorite books on social media or recommend them to friends.
9. Are there book clubs or reading communities I can join? Local Clubs: Check for local book clubs in libraries or community centers. Online Communities: Platforms like Goodreads have virtual book clubs and discussion groups.
10. Can I read Ram 15shop Manual books for free? Public Domain Books: Many classic books are available for free as they're in the public domain. Free E-books: Some websites offer free e-books legally, like Project Gutenberg or Open Library.

## Find Ram 15shop Manual :

### **review investing**

~~psychology of success pro~~

review habit building

### **for beginners social media literacy**

*trauma healing international bestseller*

digital literacy tips

### **ultimate guide mindfulness meditation**

~~habit building complete workbook~~

### **trauma healing tricks**

### **investing international bestseller**

*international bestseller mindfulness meditation*

### **international bestseller psychology of success**

*emotional intelligence global trend*

trauma healing advanced

social media literacy ultimate guide



**Ram 15shop Manual :**

*live teens bibel schulthess buchhandlungen kommentare* - Dec 08 2022

web diese bibel kommt bei teens an sie atmet den lifestyle dieser generation die neues leben Übersetzung ist gerade auch für junge leute gut verständlich fotos

*live teens bibel facebook* - Feb 27 2022

web live teens bibel 164 likes die neues leben Übersetzung wird dir gefallen sie bietet eine moderne sprache ohne die ursprüngliche bedeutung zu verfälschen eine stylische bibel

**live teens bibel cb buchshop de** - Jun 02 2022

web diese bibel kommt bei teens an sie atmet den lifestyle dieser generation die neues leben Übersetzung ist gerade auch für junge leute gut verständlich fotos grafiken und gedichte von teenagern spiegeln das lebensgefühl der zielgruppe und geben dieser bibel eine sehr authentische note

**die live teens bibel scm shop de** - May 13 2023

web die live teens bibel ist kein buch das man mal so lesen kann du musst es mit leben füllen wer hier seine nase reinsteckt stößt auf hunderte von möglichkeiten mit der bibel etwas anzufangen darum geht es den ball aufzunehmen reagieren

live teens bibel amazon de books - Mar 31 2022

web select the department you want to search in

**live teens bibel neues leben die bibel nlb weltbild** - May 01 2022

web bücher bei weltbild jetzt live teens bibel neues leben die bibel nlb versandkostenfrei online kaufen bei weltbild ihrem bücher spezialisten versandkostenfrei ab 39 bücher ab 5

**live teens bibel amazon de bücher** - Jun 14 2023

web die neues leben Übersetzung wird dir gefallen sie bietet eine moderne sprache ohne die ursprüngliche bedeutung zu verfälschen lebensnahe einführungen zu den biblischen büchern schaffen optimale zugänge zur biblischen botschaft hintergrundinfos und hinweise zeigen wo jesus schon im alten testament zu finden ist

*amazon de kundenrezensionen live teens bibel* - Sep 05 2022

web die live teens bibel ist meiner meinung nach eine äußerst gelungene bibelausgabe für junge leute die meisten bibeln für teens haben einfach nur ein modernes jugendliches cover aber drinnen sieht sie genauso aus wie jede andere bibel auch diese hier

*live teens bibel von buch 978 3 417 25360 3 thalia* - Mar 11 2023

web diese bibel kommt bei teens an sie atmet den lifestyle dieser generation die neues leben Übersetzung ist gerade auch für junge leute gut verständlich fotos grafiken und gedichte von teenagern spiegeln das lebensgefühl der zielgruppe und geben

dieser bibel eine sehr authentische note

[live teens bibel erf shop](#) - Feb 10 2023

web diese bibel kommt bei teens an sie atmet den lifestyle dieser generation die neues leben Übersetzung ist gerade auch für junge leute gut verständlich fotos grafiken und gedichte von teenagern spiegeln das lebensgefühl der zielgruppe und geben dieser bibel eine sehr authentische note

**live teens bibel 9783417251784 amazon com books** - Aug 04 2022

web live teens bibel on amazon com free shipping on qualifying offers live teens bibel

**live teens bibel bibel kaufen info** - Jul 03 2022

web live teens bibel diese bibel kommt bei teens an sie atmet den lifestyle dieser generation die neues leben Übersetzung ist gerade auch für junge leute gut verständlich fotos grafiken und gedichte von teenagern spiegeln das lebensgefühl der zielgruppe und geben dieser bibel eine sehr authentische note zugänge zur biblischen botschaft

**live teens bibel bibel paperback scm shop** - Apr 12 2023

web live teens bibel bibel paperback 1 bewertung en artikelinformationen die neues leben Übersetzung wird jedem jugendlichen gefallen sie bietet eine moderne sprache ohne die ursprüngliche bedeutung zu verfälschen lebensnahe einführungen zu den biblischen büchern hintergrundinfos fotos grafiken und gedichte lassen keine

**bibel tv online sehen kostenlose livestreams bibel tv** - Dec 28 2021

web livestream bibel tv impuls der predigt kanal diesen kanal empfangen sie über die website und die bibel tv apps echt jetzt gott berührt menschen menschen wie dich und mich mitten im alltag echtjetzt zeigt den ganzen tag echte geschichten aus dem alltag echter menschen menschen die durch gottes berührung erstaunt wurden

**live teens bibel nlb 9783417253603 by scm verlagsgruppe** - Nov 07 2022

web mar 1 2018 diese bibel kommt bei teens an sie atmet den lifestyle dieser generation die neues leben Übersetzung ist gerade auch für junge leute gut verständlich fotos grafiken und gedichte von

[live teens bibel isbn 978 3 417 25178 4 lehmanns de](#) - Jan 09 2023

web unter der Überschrift du bist dran wirst du herausgefordert die botschaft in deinem alltag umzusetzen fotos grafiken und gedichte von jugendlichen lassen außerdem keine langeweile aufkommen website facebook com live teens bibel zusatzinfo

**live teens bibel posts facebook** - Jan 29 2022

web live teens bibel 161 likes die neues leben Übersetzung wird dir gefallen sie bietet eine moderne sprache ohne die ursprüngliche bedeutung zu

**live teens bibel neues leben die bibel amazon de bücher** - Jul 15 2023

web die live teens bibel ist meiner meinung nach eine äußerst gelungene bibelausgabe für junge leute die meisten bibeln für teens haben einfach nur ein modernes jugendliches cover aber drinnen sieht sie genauso aus wie jede andere bibel auch

**live teens bibel bibel klappenbroschur scm shop** - Aug 16 2023

web diese bibel kommt bei teens an sie atmet den lifestyle dieser generation die neues leben Übersetzung ist gerade auch für junge leute gut verständlich fotos grafiken und gedichte von teenagern spiegeln das lebensgefühl der zielgruppe und geben dieser bibel eine sehr authentische note

**live teens bibel 2018 taschenbuch online kaufen ebay** - Oct 06 2022

web entdecken sie live teens bibel 2018 taschenbuch in der großen auswahl bei ebay kostenlose lieferung für viele artikel gcd issue asterix mundart 54 di frache der ehre - Nov 18 2021

asterix mundart 67 unterfränkisch iv asterix un di wengert - Nov 30 2022

web amazon in buy asterix mundart 67 unterfränkisch iv asterix un di wengert scheer book online at best prices in india on amazon in read asterix mundart 67

**asterix mundart meefränggisch iv asterix un di wengert scheer** - Jan 01 2023

web nov 4 2011 asterix mundart 67 unterfränkisch iv asterix un di wengert scheer gosciny rené on amazon com free shipping on qualifying offers asterix

gcd issue asterix mundart 67 asterix un di wengert - Feb 02 2023

web asterix mundart meefränggisch iv asterix un di wengert scheer amazon com au books

**asterix mundart unterfränkisch iv asterix un di wengert scheer** - Aug 08 2023

web egmont comic collection erscheinungsdatum 01 04 2021 asterix mundart unterfränkisch vi asterix un di schbessarträuber jetzt online bestellen kein

**asterix around the world the many languages of asterix** - Jun 06 2023

web buy asterix mundart 67 unterfränkisch iv asterix un di wengert scheer by gosciny rené uderzo albert schunk gunther fraas kai wolf hans dieter isbn

**asterix mundart 67 unterfränkisch iv asterix un di wengert** - Oct 30 2022

web us 2 64 shipping within u s a quantity 5 add to basket condition as new unread book in perfect condition asterix mundart unterfränkisch vi language german isbn 10

asterix mundart 67 unterfränkisch iv asterix un di wengert - May 05 2023

web asterix mundart 67 unterfränkisch iv asterix un di wengert scheer by gosciny rené isbn 10 3770435141 isbn 13 9783770435142 egmont comic collection 2011

*gcd issue asterix mundart 41 kuddelmuddel ums* - Mar 23 2022

web dec 14 2011 *asterix mundart 67 unterfränkisch iv asterix un di wengert scheer tolles gaerät für wenig geld asterix mundart 67 unterfränkisch iv asterix un di*

[asterix mundart meefränggisch iv asterix un di wengert scheer](#) - Oct 10 2023

web asterix mundart meefränggisch iv asterix un di wengert scheer gosciny rené uderzo albert schunk dr gunther fraass kai wolf hans dieter isbn

[liste der mundart ausgaben von asterix wikiwand](#) - Aug 28 2022

web egmont comic collection erscheinungsdatum 05 06 2023 asterix mundart meefränggisch vii asterix un di marktbarbel jetzt online bestellen kein

**asterix mundart unterfränkisch abebooks** - Sep 28 2022

web asterix un di schlächtbladdn unterfränkisch asterix und der arvernerschild 11 kai fraass gunther schunk egmont 2017 74 meefränggisch 5 dingenskirchen

*asterix mundart geb bd 22 asterix un d emanz amazon de* - May 25 2022

web startseite bibliothek mundart badisch 1 asterix un d emanz band 22 der mundart bände asterix und maestria martin schütt zeigt sich für die gelungene Übersetzung ins

[asterix mundart 67 unterfränkisch iv asterix un di wengert](#) - Feb 19 2022

web 2 asterix mundart unterfränkisch iv asterix un di w 2023 03 01 combined after twenty years of exile enforced by the coven her father adrik has come back to savannah with

*asterix mundart unterfränkisch vi asterix un di* - Jul 07 2023

web a sterix in mundart meefränggisch publisher ehapa verlag from the region of würzburg dour de frångn 5 11 2003 54 di fräche der ehre 13 12 2004 57 då boxe di

**asterix mundart unterfränkisch iv asterix un di wengert scheer** - Dec 20 2021

web asterix mundart 54 di frache der ehre unterfränkisch 1 egmont ehapa 1995 series previous issue

[asterix mundart unterfränkisch v asterix un di schlächtbladdn](#) - Jun 25 2022

web asterix mundart geb bd 22 asterix un d emanz gosciny rené uderzo albert walz michael f isbn 9783770422579 kostenloser versand für alle bücher mit

**asterix mundart meefränggisch iv asterix un di wengert scheer** - Mar 03 2023

web asterix mundart 67 asterix un di wengert scheer unterfränkisch 4 egmont ehapa 1995 series previous issue

**badisch 1 asterix un d emanz asterix archiv bibliothek** - Apr 23 2022

web asterix mundart 41 kuddelmuddel ums kupperdibbe mainzerisch 1 2001 egmont ehapa 1995 series

[asterix mundart meefränggisch vii asterix un di marktärbel](#) - Jul 27 2022

web asterix mundart unterfränkisch v asterix un di schlächtbladdn by gosciny rené nderzo albert isbn 10 3770439864 isbn 13 9783770439867 egmont comic

[asterix mundart unterfränkisch iv asterix un di wengert](#) - Jan 21 2022

web asterix mundart unterfränkisch iv asterix un di wengert scheer by rené gosciny author virtualevents straumann com 2023 09 26 00 51 10 subject asterix mundart

**asterix mundart 67 unterfränkisch iv asterix un di wengert** - Apr 04 2023

web 4 1 out of 5 stars follow authors to get new release updates plus improved recommendations of stanislas simkha from warsaw and of anna beresniak from

**asterix mundart hier online beim verlag bestellen** - Sep 09 2023

web asterix mundart unterfränkisch iv asterix un di wengert scheer 67 gosciny rené nderzo albert amazon com tr kitap

**yes to europe cambridge university press** - Oct 09 2023

web jul 8 2019 few history books can be quite so topical as saunders important new study of britain s first european referendum at a time when uk politics are still dominated by

**yes to europe the 1975 referendum and seventies britain** - Jul 06 2023

web jan 6 2019 206 views 0 crossref citations to date 0 altmetric book review yes to europe the 1975 referendum and seventies britain james freeman pages 155 157

[yes europe 1975 referendum and seventies britain twentieth](#) - Mar 02 2023

web mar 7 2019 voters endorsed britain s membership of the ec in 1975 with a large majority they did so saunders suggests because arguments about the dangers of nationalism

**yes to europe the 1975 referendum and seventies britain** - Feb 01 2023

web mar 15 2018 in a panoramic survey of 1970s britain this volume offers the first modern history of the referendum asking why voters said yes to europe and why the result did

**yes to europe the 1975 referendum and seventies britain** - Feb 18 2022

web when we say a dog or a chair we unconsciously imagine a dog or a chair sometimes this is a particular dog and other times a more generic one this is not true when we say

[robert saunders yes to europe the 1975 referendum and](#) - Mar 22 2022

web request pdf on jan 6 2019 james freeman published yes to europe the 1975 referendum and seventies britain find read and cite all the research you need on

**yes to europe the 1975 referendum and seventies britain** - Aug 27 2022

web nov 1 2023 the 1975 referendum and seventies britain book yes to europe the 1975 referendum and seventies britain  
robert saunders cambridge cambridge

[yes to europe the 1975 referendum and seventies britain by](#) - Oct 29 2022

web 243 robert saunders yes to europe the 1975 referendum and seventies britain cambridge cambridge university press  
2018 x 509 pp 24 99 isbn

**yes to europe the 1975 referendum and seventies britain** - Dec 19 2021

*yes to europe the 1975 referendum and seventies britain* - May 24 2022

web buy yes to europe the 1975 referendum and seventies britain first edition by saunders robert isbn 9781108425353 from  
amazon s book store everyday low

*robert saunders yes to europe the 1975 referendum and* - Aug 07 2023

web sep 5 2019 yes to europe the 1975 referendum and seventies britain robert saunders cambridge cambridge university  
press 2018 509 pp 12 99 pbk

[yes to europe the 1975 referendum and seventies britain by](#) - May 04 2023

web may 12 2021 yes to europe the 1975 referendum and seventies britain by robert saunders cambridge university press  
2018 xiii 509 pp 12 99

**yes to europe the 1975 referendum and seventies britain by** - Apr 03 2023

web in a panoramic survey of 1970s britain this volume offers the first modern history of the referendum asking why voters  
said yes to europe and why the result did not as some

[yes to europe the 1975 referendum and seventies britain](#) - Jun 24 2022

web mar 31 2018 the 1975 referendum and seventies britain cambridge core twentieth century british history yes to europe  
by robert saunders find read and cite all

**yes to europe the 1975 referendum and seventies britain** - Jul 26 2022

web jan 1 2018 in a panoramic survey of 1970s britain this volume offers the first modern history of the referendum asking  
why voters said yes to europe and why the result did

[yes to europe the 1975 referendum and seventies britain](#) - Jan 20 2022

web the 1975 referendum and seventies britain published on reviews in history reviews history ac uk yes to europe the 1975  
referendum and seventies

*yes to europe the 1975 referendum and seventies britain* - Jun 05 2023

web apr 1 2019 after the 2016 referendum on membership of the european union robert saunders s book on the 1975

referendum in which british voters preferred by a margin

**yes to europe the 1975 referendum and seventies britain** - Dec 31 2022

web oct 24 2019 yes to europe the 1975 referendum and seventies britain cambridge cambridge university press 2018 pp 422 32 99 cloth journal of british studies

**robert saunders yes to europe the 1975 referendum and** - Nov 29 2022

web mar 29 2018 the 1975 referendum and seventies britain by robert saunders the books yes to europe the 1975 referendum and seventies britain by robert

robert saunders yes to europe the 1975 referendum and - Sep 27 2022

web article freeman2019yeste title yes to europe the 1975 referendum and seventies britain author james freeman journal contemporary british history year 2019

**yes to europe the 1975 referendum and seventies britain** - Sep 08 2023

web feb 2 2020 on 5 june 1975 67 2 per cent of uk voters said yes to europe in their country s first ever national referendum

**yes to europe the 1975 referendum and seventies britain** - Apr 22 2022

web dec 10 2019 few books can claim to be as timely as robert saunders s yes to europe the 1975 referendum and seventies britain on this book s publication britain