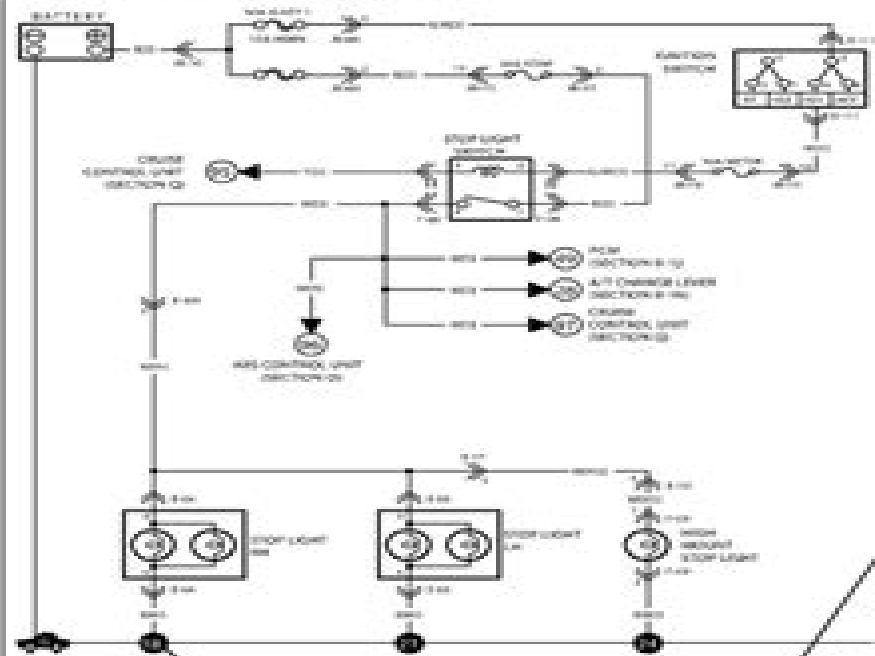
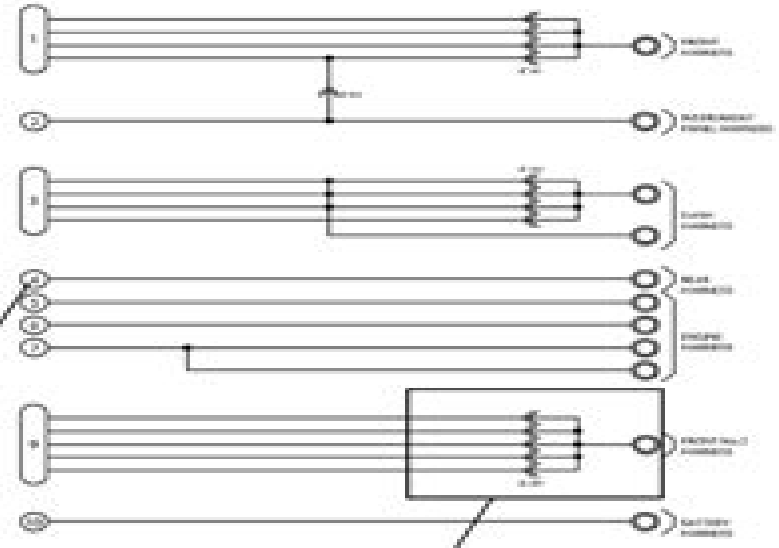


## F-2 HORN, STOP LIGHT



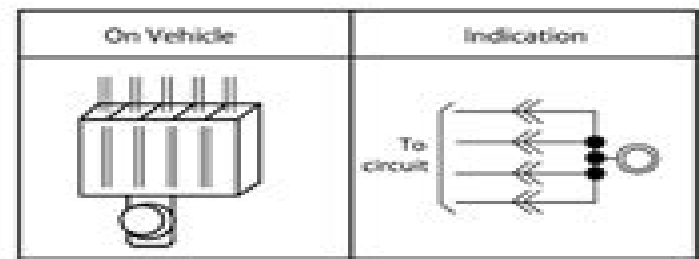
## Y GROUND POINT



### On circuit diagrams and ground points

This ground connection numbers in system circuit diagrams correspond to those in the ground point diagram.

### Ground indication



# Sedona Wiring Guide

**Lei Huang**



## **Sedona Wiring Guide:**

## **Sedona Wiring Guide** Book Review: Unveiling the Power of Words

In a world driven by information and connectivity, the ability of words has been evident than ever. They have the capability to inspire, provoke, and ignite change. Such is the essence of the book **Sedona Wiring Guide**, a literary masterpiece that delves deep into the significance of words and their impact on our lives. Written by a renowned author, this captivating work takes readers on a transformative journey, unraveling the secrets and potential behind every word. In this review, we shall explore the book's key themes, examine its writing style, and analyze its overall effect on readers.

[https://legacy.tortoisemedias.com/public/virtual-library/Download\\_PDFS/answers%20for%20igcse%20additional%20maths%20past%20questions.pdf](https://legacy.tortoisemedias.com/public/virtual-library/Download_PDFS/answers%20for%20igcse%20additional%20maths%20past%20questions.pdf)

### **Table of Contents Sedona Wiring Guide**

1. Understanding the eBook Sedona Wiring Guide
  - The Rise of Digital Reading Sedona Wiring Guide
  - Advantages of eBooks Over Traditional Books
2. Identifying Sedona Wiring Guide
  - Exploring Different Genres
  - Considering Fiction vs. Non-Fiction
  - Determining Your Reading Goals
3. Choosing the Right eBook Platform
  - Popular eBook Platforms
  - Features to Look for in an Sedona Wiring Guide
  - User-Friendly Interface
4. Exploring eBook Recommendations from Sedona Wiring Guide
  - Personalized Recommendations
  - Sedona Wiring Guide User Reviews and Ratings
  - Sedona Wiring Guide and Bestseller Lists

5. Accessing Sedona Wiring Guide Free and Paid eBooks
  - Sedona Wiring Guide Public Domain eBooks
  - Sedona Wiring Guide eBook Subscription Services
  - Sedona Wiring Guide Budget-Friendly Options
6. Navigating Sedona Wiring Guide eBook Formats
  - ePub, PDF, MOBI, and More
  - Sedona Wiring Guide Compatibility with Devices
  - Sedona Wiring Guide Enhanced eBook Features
7. Enhancing Your Reading Experience
  - Adjustable Fonts and Text Sizes of Sedona Wiring Guide
  - Highlighting and Note-Taking Sedona Wiring Guide
  - Interactive Elements Sedona Wiring Guide
8. Staying Engaged with Sedona Wiring Guide
  - Joining Online Reading Communities
  - Participating in Virtual Book Clubs
  - Following Authors and Publishers Sedona Wiring Guide
9. Balancing eBooks and Physical Books Sedona Wiring Guide
  - Benefits of a Digital Library
  - Creating a Diverse Reading Collection Sedona Wiring Guide
10. Overcoming Reading Challenges
  - Dealing with Digital Eye Strain
  - Minimizing Distractions
  - Managing Screen Time
11. Cultivating a Reading Routine Sedona Wiring Guide
  - Setting Reading Goals Sedona Wiring Guide
  - Carving Out Dedicated Reading Time
12. Sourcing Reliable Information of Sedona Wiring Guide
  - Fact-Checking eBook Content of Sedona Wiring Guide
  - Distinguishing Credible Sources
13. Promoting Lifelong Learning

- Utilizing eBooks for Skill Development
  - Exploring Educational eBooks
14. Embracing eBook Trends
- Integration of Multimedia Elements
  - Interactive and Gamified eBooks

### **Sedona Wiring Guide Introduction**

In the digital age, access to information has become easier than ever before. The ability to download Sedona Wiring Guide has revolutionized the way we consume written content. Whether you are a student looking for course material, an avid reader searching for your next favorite book, or a professional seeking research papers, the option to download Sedona Wiring Guide has opened up a world of possibilities. Downloading Sedona Wiring Guide provides numerous advantages over physical copies of books and documents. Firstly, it is incredibly convenient. Gone are the days of carrying around heavy textbooks or bulky folders filled with papers. With the click of a button, you can gain immediate access to valuable resources on any device. This convenience allows for efficient studying, researching, and reading on the go. Moreover, the cost-effective nature of downloading Sedona Wiring Guide has democratized knowledge. Traditional books and academic journals can be expensive, making it difficult for individuals with limited financial resources to access information. By offering free PDF downloads, publishers and authors are enabling a wider audience to benefit from their work. This inclusivity promotes equal opportunities for learning and personal growth. There are numerous websites and platforms where individuals can download Sedona Wiring Guide. These websites range from academic databases offering research papers and journals to online libraries with an expansive collection of books from various genres. Many authors and publishers also upload their work to specific websites, granting readers access to their content without any charge. These platforms not only provide access to existing literature but also serve as an excellent platform for undiscovered authors to share their work with the world. However, it is essential to be cautious while downloading Sedona Wiring Guide. Some websites may offer pirated or illegally obtained copies of copyrighted material. Engaging in such activities not only violates copyright laws but also undermines the efforts of authors, publishers, and researchers. To ensure ethical downloading, it is advisable to utilize reputable websites that prioritize the legal distribution of content. When downloading Sedona Wiring Guide, users should also consider the potential security risks associated with online platforms. Malicious actors may exploit vulnerabilities in unprotected websites to distribute malware or steal personal information. To protect themselves, individuals should ensure their devices have reliable antivirus software installed and validate the legitimacy of the websites they are downloading from. In conclusion, the ability to download Sedona Wiring Guide has transformed the way we access information. With the

convenience, cost-effectiveness, and accessibility it offers, free PDF downloads have become a popular choice for students, researchers, and book lovers worldwide. However, it is crucial to engage in ethical downloading practices and prioritize personal security when utilizing online platforms. By doing so, individuals can make the most of the vast array of free PDF resources available and embark on a journey of continuous learning and intellectual growth.

### FAQs About Sedona Wiring Guide Books

1. Where can I buy Sedona Wiring Guide books? Bookstores: Physical bookstores like Barnes & Noble, Waterstones, and independent local stores. Online Retailers: Amazon, Book Depository, and various online bookstores offer a wide range of books in physical and digital formats.
2. What are the different book formats available? Hardcover: Sturdy and durable, usually more expensive. Paperback: Cheaper, lighter, and more portable than hardcovers. E-books: Digital books available for e-readers like Kindle or software like Apple Books, Kindle, and Google Play Books.
3. How do I choose a Sedona Wiring Guide book to read? Genres: Consider the genre you enjoy (fiction, non-fiction, mystery, sci-fi, etc.). Recommendations: Ask friends, join book clubs, or explore online reviews and recommendations. Author: If you like a particular author, you might enjoy more of their work.
4. How do I take care of Sedona Wiring Guide books? Storage: Keep them away from direct sunlight and in a dry environment. Handling: Avoid folding pages, use bookmarks, and handle them with clean hands. Cleaning: Gently dust the covers and pages occasionally.
5. Can I borrow books without buying them? Public Libraries: Local libraries offer a wide range of books for borrowing. Book Swaps: Community book exchanges or online platforms where people exchange books.
6. How can I track my reading progress or manage my book collection? Book Tracking Apps: Goodreads, LibraryThing, and Book Catalogue are popular apps for tracking your reading progress and managing book collections. Spreadsheets: You can create your own spreadsheet to track books read, ratings, and other details.
7. What are Sedona Wiring Guide audiobooks, and where can I find them? Audiobooks: Audio recordings of books, perfect for listening while commuting or multitasking. Platforms: Audible, LibriVox, and Google Play Books offer a wide selection of audiobooks.
8. How do I support authors or the book industry? Buy Books: Purchase books from authors or independent bookstores. Reviews: Leave reviews on platforms like Goodreads or Amazon. Promotion: Share your favorite books on social media

or recommend them to friends.

9. Are there book clubs or reading communities I can join? Local Clubs: Check for local book clubs in libraries or community centers. Online Communities: Platforms like Goodreads have virtual book clubs and discussion groups.
10. Can I read Sedona Wiring Guide books for free? Public Domain Books: Many classic books are available for free as they're in the public domain. Free E-books: Some websites offer free e-books legally, like Project Gutenberg or Open Library.

### **Find Sedona Wiring Guide :**

[answers for igcse additional maths past questions](#)

**answering essay questions to what extent**

*answer to the cryptic quiz sheet 41*

**answers for the old yeller guide**

*answers for linear programming basics*

[answer key to the boy in the striped pajamas chapter 8 10](#)

[answers for looking for pythagoras ace 3](#)

**answer key to surgical technology sixth edition**

**answers for timberlake chemistry**

[answers for everfi module 2 final quiz](#)

**answer keys for algebra holt**

**answers for lesson 3 1b resource page**

**answers key standard focus bildungsroman the outsiders**

[answers for the ontario boating exam](#)

[answers lesson 1 atomic pudding](#)

### **Sedona Wiring Guide :**

[compte traduction dictionnaire français anglais wordreference com](#) - Jun 01 2022

web inflections of compte nm mpl comptes inflections of compté adj f comptée mpl comptés fpl comptées du verbe compter

conjuguer compte est 1 e personne du singulier du présent de l indicatif 3 e personne du singulier du présent de l indicatif

*expertise comptable métiers et formations je compte devenir* - Jan 28 2022



web découverte tout connaître du monde de l'expertise comptable et de l'audit le secteur de l'expertise comptable offre de nombreux métiers d'avenir en phase avec les besoins de la société des métiers stratégiques et de conseil qui recrutent beaucoup aux domaines d'activités diversifiés avec de nombreuses opportunités de carrière et d'évolution

**connexion comptes google** - Jul 02 2022

web utiliser votre compte google adresse e mail ou numéro de téléphone adresse e mail oubliée saisissez le texte que vous voyez ou entendez s'il ne s'agit pas de votre ordinateur utilisez une fenêtre de navigation privée pour vous connecter en savoir plus suivant créer un compte français france

**compter conjugaison du verbe compter conjuguer compter** - Jul 14 2023

web conjugaison du verbe compter verbe du 1er groupe le verbe compter est transitif direct et transitif indirect et intransitif le verbe compter peut se conjuguer à la forme pronominale se compter le verbe compter se conjugue avec l'auxiliaire avoir

**je compte translation in english french english dictionary** - Mar 10 2023

web mettez le sur mon compte charge it to my account autres locutions à ce compte là dans ce cas in that case à ce train là at that rate tout compte fait on the whole à bon compte s'en tirer à bon compte to get off lightly

*conjugaison compter conjuguer verbe compter reverso* - May 12 2023

web conjugaison verbe compter à tous les temps et modes modèles de conjugaison du verbe français et verbes irréguliers auxiliaires être et avoir cherchez la traduction du verbe compter en contexte et sa définition verbes français similaires brouiller arrêter historier

*conjugaison du verbe compte le conjugueur* - Apr 11 2023

web conjugaison inversée pour compte verbe à l'infinitif conjugaison du verbe temps du verbe conjugué personne de la conjugaison compter je compte indicatif présent première personne du singulier compter il compte indicatif présent troisième personne du singulier compter que je compte subjonctif présent première

*connexion comptes google* - Mar 30 2022

web connexion comptes google connexion utilisez votre compte google adresse de courriel oubliée tapez le texte que vous entendez ou que vous voyez il ne s'agit pas de votre ordinateur

**je compte traduction anglaise linguee** - Sep 04 2022

web de très nombreux exemples de phrases traduites contenant je compte dictionnaire anglais français et moteur de recherche de traductions anglaises je compte traduction anglaise linguee consulter linguee

*conjugaison du verbe compter dico en ligne le robert* - Jun 13 2023

web je compte tu comptes il compte elle compte nous comptons vous comptez ils comptent elles comptent

*je compte sur toi wikipédia* - Feb 26 2022

web je compte sur toi conto su di te est un jeu télévisé créé par jacques antoine fort boyard et jean yanne et présenté par olivier lejeune assisté de valérie lamour et diffusé du 20 août 1990 1 au 19 octobre 1990 2 sur la cinq historique bien que ses concepteurs soient français le concept a d abord été vendu en italie

*compter définition du verbe simple et facile du dictionnaire* - Aug 03 2022

web compter sur sens s appuyer sur quelque chose ou quelqu un avoir confiance en sans compter sens sans compter signifie avec générosité cette locution désigne le fait de donner sans regarder ce qu il en coûte réellement on peut dépenser son énergie sans compter mais aussi son temps ou son argent

**compter conjugaison du verbe compter le conjugueur** - Aug 15 2023

web présent je compt e tu compt es il compt e nous compt ons vous compt ez ils compt ent passé composé j ai compt é tu as compt é il a compt é nous avons compt é vous avez compt é ils ont compt é

*compte translate french to english cambridge dictionary* - Jan 08 2023

web noun masculine ko t add to word list calcul calcul d une quantité sum le compte est bon that s right voici votre compte il est certainement exact argent calcul de l argent

je compte translation in english bab la - Dec 07 2022

web vous le voyez je compte donc faire à nouveau un tour complet de la situation more vert as you see i am therefore planning to make another complete review of the situation malheureusement le temps nous fut compté et je suis le premier à le regretter more vert

google compte - Apr 30 2022

web connectez vous à votre compte google et découvrez le potentiel des services google que vous utilisez votre compte vous offre plus de possibilités en personnalisant votre expérience google et

définition de compte dictionnaire français la langue française - Nov 06 2022

web a cf supra synt b c b comptes d actif de passif comptes de bilan comptes financiers compte de caisse compte de banque comptes de gestion comptes de charges de produits comptes de résultats compte d exploitation générale de pertes et profits ou profits et pertes

**a propos je compte devenir** - Dec 27 2021

web vous souhaitez être le partenaire de confiance des associations jecompte fr vous propose de découvrir les métiers de l expertise comptable et du commissariat aux comptes des secteurs d avenir en pleine expansion avec de nombreuses opportunités de

**compter conjugaison du verbe compter forme interrogative le** - Oct 05 2022

web verbe compter la conjugaison à tous les temps du verbe compter au masculin sous forme de question à la voix active

avec l'auxiliaire avoir option de conjugaison forme interrogative synonyme du verbe compter  
[je compte translation into english reverso context](#) - Feb 09 2023

web translation of je compte in english i intend i count i m counting i plan i am counting i will i rely i hope i want i m planning  
show more enfin je compte bien entretenir cela avec tes conseils finally i intend well to maintain that with your advices

**mongodb the definitive guide powerful and scalable data** - Oct 05 2022

web kristina chodorow shannon bradshaw mongodb the definitive guide powerful and scalable data storage paperback jan 14 2020 by shannon bradshaw author eoin brazil author kristina chodorow author 4 6 168 ratings see all formats and editions  
kindle edition 57 99 read with our free app paperback

*mongodb the definitive guide powerful and scalable data storage* - Jul 02 2022

web get this from a library mongodb the definitive guide powerful and scalable data storage shannon bradshaw eoin brazil  
kristina chodorow

[mongodb the definitive guide 3e powerful and scalable data storage](#) - Jan 08 2023

web buy mongodb the definitive guide 3e powerful and scalable data storage 3rd ed by bradshaw shannon brazil eoin  
chodorow kristina isbn 9781491954461 from amazon s book store everyday low prices and free delivery on eligible orders

**mongodb the definitive guide powerful and scalable data** - Apr 30 2022

web ideal for nosql newcomers and experienced mongodb users alike this guide provides numerous real world schema design  
examples get started with mongodb core concepts and vocabulary perform basic write operations at different levels of safety  
and speed

*mongodb the definitive guide 2nd edition o reilly media* - Apr 11 2023

web ideal for nosql newcomers and experienced mongodb users alike this guide provides numerous real world schema design  
examples get started with mongodb core concepts and vocabulary perform basic write operations at different levels of safety  
and speed create complex queries with options for limiting skipping and sorting results

**mongodb the definitive guide powerful and scalable data** - Mar 10 2023

web may 10 2013 this authoritative introduction written by a core contributor to the project shows you the many  
advantages of using document oriented databases and demonstrates how this reliable high performance

*mongodb the definitive guide powerful and scalable data* - Aug 15 2023

web dec 9 2019 in six parts this book shows you how to work with mongodb perform write operations find documents and  
create complex queries index collections aggregate data and use transactions for your

**mongodb the definitive guide powerful and scalable data storage** - Jun 01 2022

web dec 24 2019 in six parts this book shows you how to work with mongodb perform write operations find documents and

create complex queries index collections aggregate data and use transactions for your application configure a local replica set and learn how replication interacts with your application

**mongodb the definitive guide powerful and scalable data** - Dec 07 2022

web the updated edition of this authoritative and accessible guide shows you the many advantages of using document oriented databases including how this secure high performance system enables flexible data models high

**mongodb the definitive guide 3rd edition o reilly media** - Jun 13 2023

web updated for mongodb 4.2 the third edition of this authoritative and accessible guide shows you the advantages of using document oriented databases you'll learn how this secure high performance system enables flexible data

*mongodb the definitive guide powerful and scalable data* - Feb 09 2023

web sep 14 2010 mongodb the definitive guide powerful and scalable data storage new from o reilly press release

september 14 2010 sebastopol ca how does mongodb help you manage a humongous amount of

**mongodb the definitive guide 3rd edition free pdf download** - Jan 28 2022

web jul 26 2019 the updated edition of this authoritative and accessible guide shows you the many advantages of using document oriented databases including how this secure high performance system enables flexible data models high

**mongodb the definitive guide book o reilly media** - Nov 06 2022

web mongodb the definitive guide by kristina chodorow michael dirolf released september 2010 publisher s o reilly media inc isbn 9781449381561 read it now on the o reilly learning platform with a 10 day free trial o reilly members get unlimited

access to books live events courses curated by job role and more from o reilly and

**download mongodb the definitive guide powerful and scalable** - Dec 27 2021

web mongodb the definitive guide powerful and scalable data storage 3rd edition author kristina chodorow eoin brazil

shannon bradshaw language english isbn 9781491954461 year 2019 file size 6.5 mb total downloads 795 total views 7 613

volume info 3rd edition edition 3 identifier 9 781 491 954 461 org file size

*mongodb the definitive guide powerful and scalable da* - Sep 04 2022

web mongodb the definitive guide powerful and scalable data storage by shannon bradshaw goodreads displaying 1 30 of 43

reviews january 17 2015 ich hätte gerne das erlernte wissen anhand von aufgaben überprüft hier fehlen beispielaufgaben

mongodb the definitive guide powerful and scalable data storage - Jul 14 2023

web dec 31 2019 mongodb the definitive guide powerful and scalable data storage 3rd edition by shannon bradshaw author eoin brazil author kristina chodorow author 4.6 190 ratings see all formats and editions manage your data with a system

designed to support modern application development

mongodb the definitive guide 3e github - Aug 03 2022

web a tag already exists with the provided branch name many git commands accept both tag and branch names so creating this branch may cause unexpected behavior

**mongodb the definitive guide powerful and scalable data** - Mar 30 2022

web sep 19 2021 mongodb the definitive guide powerful and scalable data storage 3rd edition manage your data with a system designed to support modern application development updated for mongodb 4.2 the third edition of this authoritative and accessible guide shows you the advantages of using document oriented databases

**mongodb the definitive guide powerful and scalable data** - May 12 2023

web jun 25 2013 this authoritative introduction written by a core contributor to the project shows you the many advantages of using document oriented databases and demonstrates how this reliable high performance system

*mongodb the definitive guide powerful and scalable data* - Feb 26 2022

web sep 19 2021 updated for mongodb 4.2 the third edition of this authoritative and accessible guide shows you the advantages of using document oriented databases you ll learn how this secure high performance system enables flexible data models high availability and horizontal scalability

**be in mechanical engineering course subjects colleges** - Oct 30 2022

web oct 3 2013 be in mechanical engineering is a four year undergraduate program it is a field of study that deals with designing and manufacturing any product that requires motion energy and force principles during the course of study students are taught to solve problems in a technical way

**be automobile engineering syllabus and subjects getmyuni** - May 05 2023

web jan 4 2023 syllabus and subjects job scope and salary the be automobile engineering course syllabus is a four year undergraduate degree that is divided into eight semesters be automobile engineering is a study of the basics of manufacturing designing and operations of automobiles

**be automobile engineering bachelor of engineering in automobile** - Jul 07 2023

web may 26 2023 engineering mechanics 5 mathematics 6 technical english be automobile engineering semester iii 1 automotive engines 2 engineering thermodynamics 3 fluid mechanics and machinery 4 mechanics of machines 5 production technology 6 transforms and partial differential equations be automobile

class be mechanical automobile semester pdf ceu social - Jun 25 2022

web class be mechanical automobile semester class be mechanical automobile semester 2 downloaded from ceu social on 2023 07 30 by guest degree students of mechanical engineering as well as those preparing for amie examination incorporates the latest st report of a survey of the state institutions of higher learning in kansas 1923 united

*class be mechanical automobile semester book de juncto* - Mar 03 2023

web class be mechanical automobile semester whispering the secrets of language an psychological quest through class be mechanical automobile semester in a digitally driven earth wherever monitors reign supreme and quick transmission drowns out the subtleties of language the profound secrets and mental nuances hidden within words

**class be mechanical automobile semester assets ceu social** - Mar 23 2022

web class be mechanical automobile semester book review unveiling the magic of language in an electronic digital era where connections and knowledge reign supreme the enchanting power of language has be apparent than ever

*automobile engineering latest syllabus of all semesters apy* - Sep 09 2023

web jul 14 2021 automotive electricals and electronics aee 3160210 vehicle maintenance and garage practice vmgp 3160211 automobile chassis and body engineering acbe 3160212 two and three vehicle technology ttvt 3160213 special purpose vehicle spv 3160214 vehicle testing and homologation vth 3161903 computer aided

be automobile engineering important dates entrance - Nov 30 2022

web oct 3 2013 bachelor of engineering in automobile is a part of engineering which deals with production to sell a vehicle in which designing manufacturing mechanical mechanism as well as operations of automobiles

**be mechanical engineering syllabus and subjects getmyuni** - Jun 06 2023

web jan 5 2023 the semester wise bachelor of engineering in mechanical engineering syllabus is as given below be mechanical engineering subjects the semester wise be mechanical engineering course subjects aim to impart knowledge of the various ways to design and manufacture products

**class be mechanical semester viii subject auto le download** - May 25 2022

web class be mechanical semester viii subject auto le 3 3 treatments can reduce the cost of components and extend the life of the elements their effect is of particular importance in the case of surfaces undergoing contact a problem which is addressed throughout the book topics featured surface treatment surface problems in contact mechanics

distance correspondence b tech mechanical automobile - Aug 08 2023

web jan 30 2023 so there is a difference between online mechanical automobile courses and online mechanical automobile engineering classes know more b tech online be bachelor of engineering mechanical automobile engineering

**mechanical automobile courses subjects colleges syllabus** - Feb 02 2023

web mechanical automobile engineering course offers you advanced knowledge about manufacturing fluids mechanics and machinery automotive petrol engines etc if you wish to pursue a diploma then it is a 3 year course or if you wish to pursue after your 12th then it is a 4 year graduate course

**diploma in automobile engineering syllabus and subjects** - Sep 28 2022

web jan 4 2023 diploma in automobile engineering syllabus is a semester wise subject that includes communication in

applied physics basics of information technology mechatronics automobile component design engineering drawing manufacturing technology fluid mechanics and much more the diploma in automobile

*class be mechanical automobile semester viii subject* - Oct 10 2023

web class be mechanical automobile semester viii subject en english deutsch français español português italiano română nederlands latina dansk svenska norsk magyar bahasa indonesia türkçe suomi latvian

top automobile courses in 2022 leverage edu - Jan 01 2023

web jul 2 2022 automobile designing course eligibility criteria automobile courses entrance exams for automobile engineering courses in india leading colleges for automobile engineering india top universities for automobile courses abroad required skills career options and average salary top recruiters automobile sector faqs

**class be mechanical semester viii subject auto le dna viz tpq** - Apr 23 2022

web oct 29 2023 class be mechanical semester viii subject auto le 1 omb no 1921237854589 class be mechanical semester viii subject auto le oswal gurukul biology most likely question bank icse class 9 sem ii exam 2022 catalogue of the university of michigan catalog university of michigan official publication

class be mechanical automobile semester - Feb 19 2022

web mechanics auto mechanics kevin l borg 2007 06 the history of automobiles is not just the story of invention manufacturing and marketing it is also a story of repair auto mechanics opens the repair shop to historical study for the first time by tracing the emergence of a dirty difficult and important profession kevin l borg s study

class be mechanical automobile semester copy - Apr 04 2023

web class be mechanical automobile semester automotive electrical equipment jan 13 2021 reliability in automotive and mechanical engineering dec 04 2022 defects generate a great economic problem for suppliers who are faced with increased duties customers expect increased efficiency and dependability of technical product of also

**automobile engineering course syllabus 2023 semester** - Aug 28 2022

web may 3 2022 candidates seeking admission to be btech in automobile engineering must be pass in class 12 with physics chemistry and mathematics as main subjects eligibility criteria may vary for different institutes there are around fifty subjects to be studied while pursuing this course in 4 years

**class be mechanical auto le semester solutions milnerbrowne** - Jul 27 2022

web 4 class be mechanical auto le semester 2021 11 15 peugeot delage ballot fiat and bugatti this informative work provides welcome insight into a defining period in motorsports english mechanic and world of science crc press automotive industriesautomobile topicsoccupational outlook handbookpage s engineering