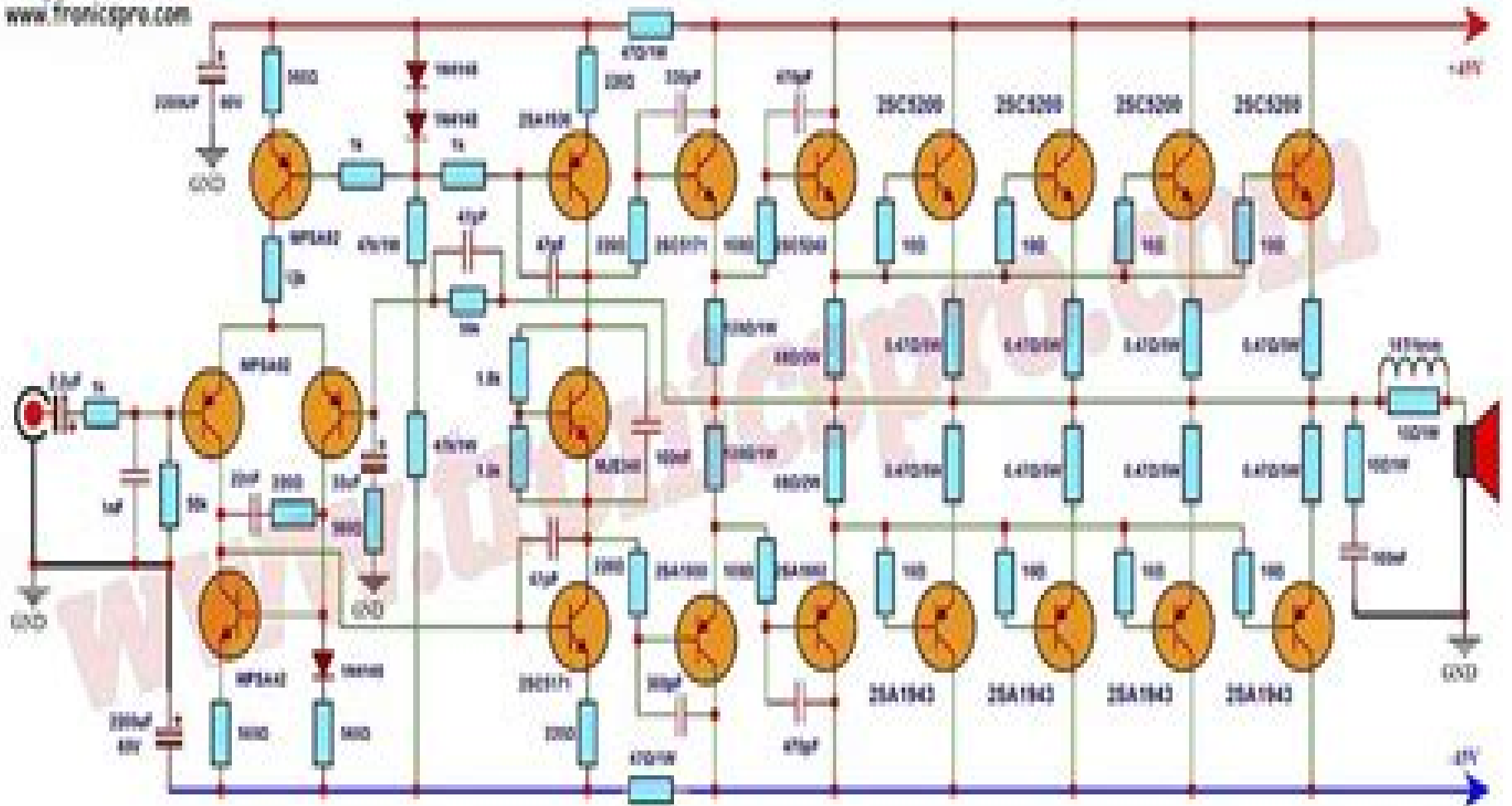


1000W Power Amplifier Circuit

Using 2SC5200 & 2SA1943 Transistors

TRONICSPRO
www.tronicspro.com



1000 Watts Amp Schematic

F Rizvi



1000 Watts Amp Schematic:

Black & Decker The Complete Guide to Wiring Updated 8th Edition Editors of Cool Springs Press,2022-02-08 The Complete Guide to Wiring is BLACK DECKER s eighth edition of the best selling home improvement book in North America for more than a decade now completely updated to conform to 2020 2023 National Electrical Code **Black and Decker the Complete Guide to Wiring, Updated 9th Edition** Editors of Cool Springs Press,2025-06-24 For over 15 years BLACK DECKER The Complete Guide to Wiring has been the best selling home wiring manual in North America With this updated 9th edition get the clearest most up to date advice available As the most current wiring book on the market you can be confident that your projects will meet national wiring codes You ll also spend more time on your project and less time scratching your head thanks to more than 750 clear color photos and over 50 diagrams that show you exactly what you need to know about home electrical service all the most common circuits all the most needed techniques all the most essential tools and materials Chapters include Working Safely with Wiring Wire Cable Conduit Boxes Panels Switches including wall switches and specialty switches Receptacles Preliminary Work planning your project highlights of the National Electrical Code and more Circuit Maps Common Wiring Projects whole house surge arrestors underfloor radiant heat systems doorbells backup power supply and many more Repair Projects light fixtures ceiling fans lamp sockets plugs and cords and more The information in this book has been created and reviewed by professional electricians under the watchful eye of the experts at BLACK DECKER You can find plenty of articles and videos about wiring online or in other publications but only The Complete Guide to Wiring has passed the rigorous test to make it part of the best DIY series from the brand you trust **Technical Manual** United States. War Department,1950 *Bureau of Standards Journal of Research* United States. National Bureau of Standards,1928 **Introduction to Media Production** Gorham Kindem,Robert B. Musburger, PhD,2012-08-21 Introduction to Media Production began years ago as an alternative text that would cover ALL aspects of media production not just film or just tv or just radio Kindem and Musburger needed a book that would show students how every form of media intersects with one another and about how one needs to know the background history of how film affects video and how video affects working in a studio and ultimately how one needs to know how to put it all together Introduction to Media Production is the book that shows this intersection among the many forms of media and how students can use this intersection to begin to develop their own high quality work Introduction to Media Production is a primary source for students of media Its readers learn about various forms of media how to make the best use of them why one would choose one form of media over another and finally about all of the techniques used to create a media project The digital revolution has exploded all the former techniques used in digital media production and this book covers the now restructured and formalized digital workflows that make all production processes by necessity digital This text will concentrate on offering students and newcomers to the field the means to become aware of the critical importance of understanding the end

destination of their production as a part of pre production not the last portion of post production Covering film tv video audio and graphics the fourth edition of Introduction to Digital Media promises to be yet another comprehensive guide for both students of media and newcomers to the media industry **Home Automation Made Easy** Dennis C Brewer,2013-11-08

Absolutely no experience needed Make your home smarter safer and more fun and save money too Home automation is finally practical useful and easy Now you can control your home exactly the way you want to without paying monthly fees This book shows how to do it all yourself with today s simpler more reliable less expensive technologies Dennis C Brewer first makes sure you re comfortable with wiring basics and safety and then guides you through installing setting up and using today s best home automation software Next he walks you through several great DIY projects you can complete in just hours Before you know it you ll be controlling appliances lighting devices home security energy consumption heating cooling and even your home entertainment center Brewer covers phone interfaces opportunities to expand and even offerings from your phone and Internet service providers When it comes to home automation the future is here and it works Pick the right products and services without overspending Control your home from anywhere with Android iPhone iPad or your computer Go green save energy all year long Make your home safer more secure and more comfortable Overcome personal mobility challenges Get more fun out of your TV and music system **Indoor Marijuana Horticulture** Jorge Cervantes,2002

Lighting for Digital Video and Television John Jackman,2012-08-06 Enhance the visual quality of your motion pictures and digital videos with a solid understanding of lighting fundamentals This complete course in digital video lighting begins with how the human eye and the camera process light and color progresses through the basics of equipment and setups and finishes with practical lessons on how to solve common problems Filled with clear illustrations and real world examples that demonstrate proper equipment use safety issues and staging techniques Lighting for Digital Video presents readers with all they need to create their own visual masterpieces Features film style techniques for digital video productions creating movie looks on a low budget lighting for HD how to maximize existing light how to be a grip safety issues interview setups color correction techniques in mixed lighting situations *Producing and Directing the Short Film and Video* David K. Irving,Peter W. Rea,2013-03-20 Producing and Directing the Short Film and Video is the definitive book on the subject for beginning filmmakers and students The book clearly illustrates all of the steps involved in preproduction production postproduction and distribution Its unique two fold approach looks at filmmaking from the perspectives of both producer and director and explains how their separate energies must combine to create a successful short film or video from script to final product This guide offers extensive examples from award winning shorts and includes insightful quotes from the filmmakers themselves describing the problems they encountered and how they solved them The companion website contains useful forms and information on grants and financing sources distributors film and video festivals film schools internet sources for short works and professional associations **Behind the Lens** Jay Holben,2015-07-16 Filmmaker Jay Holben has been

battling in the production trenches for most of his life For the past 17 years he s chronicled his adventures in the pages of American Cinematographer Digital Video Videography and TV Technology Now in Behind the Lens Dispatches from the Cinematic Trenches he s compiled nearly 100 of his best articles on everything from camera technology and lenses to tips and techniques for better lighting Whether you re making independent films commercials music videos documentaries television shows event videos or industrials this full color collection provides the tools you need to take your work to the next level and succeed in the world of digital motion imaging Featured topics include Tech including the fundamentals of how digital images are formed and how they evolved to match the look of a film as well as image compression and control Optics providing a thorough examination of lenses and lens interchangeability depth of field filters flare quality MTF and more Cameras instructing you in using exposure tools ISO white balance infrared and stabilizers Lighting featuring advice on using lighting sources and fixtures and how to tackle common lighting problems Additional tips and tricks cover improving audio celestial photography deciding if film school is right for you and much more For over a decade Jay Holben has worked as a director of photography in Los Angeles on features commercials television shows and music videos He is a former technical editor and frequent contributing writer for American Cinematographer the current technical editor and columnist for Digital Video and the lighting columnist for TV Technology The author of A Shot in the Dark A Creative DIY Guide to Digital Video Lighting on Almost No Budget Holben is also on faculty for the Global Cinematography Institute He is now an independent producer and director

Thank you for downloading **1000 Watts Amp Schematic**. As you may know, people have search numerous times for their favorite novels like this 1000 Watts Amp Schematic, but end up in malicious downloads.

Rather than enjoying a good book with a cup of coffee in the afternoon, instead they cope with some infectious bugs inside their desktop computer.

1000 Watts Amp Schematic is available in our digital library an online access to it is set as public so you can download it instantly.

Our books collection saves in multiple locations, allowing you to get the most less latency time to download any of our books like this one.

Merely said, the 1000 Watts Amp Schematic is universally compatible with any devices to read

<https://legacy.tortoisemedia.com/data/book-search/default.aspx/A%20Spanish%20Vengeance.pdf>

Table of Contents 1000 Watts Amp Schematic

1. Understanding the eBook 1000 Watts Amp Schematic
 - The Rise of Digital Reading 1000 Watts Amp Schematic
 - Advantages of eBooks Over Traditional Books
2. Identifying 1000 Watts Amp Schematic
 - Exploring Different Genres
 - Considering Fiction vs. Non-Fiction
 - Determining Your Reading Goals
3. Choosing the Right eBook Platform
 - Popular eBook Platforms
 - Features to Look for in an 1000 Watts Amp Schematic
 - User-Friendly Interface
4. Exploring eBook Recommendations from 1000 Watts Amp Schematic
 - Personalized Recommendations

- 1000 Watts Amp Schematic User Reviews and Ratings
- 1000 Watts Amp Schematic and Bestseller Lists
- 5. Accessing 1000 Watts Amp Schematic Free and Paid eBooks
 - 1000 Watts Amp Schematic Public Domain eBooks
 - 1000 Watts Amp Schematic eBook Subscription Services
 - 1000 Watts Amp Schematic Budget-Friendly Options
- 6. Navigating 1000 Watts Amp Schematic eBook Formats
 - ePub, PDF, MOBI, and More
 - 1000 Watts Amp Schematic Compatibility with Devices
 - 1000 Watts Amp Schematic Enhanced eBook Features
- 7. Enhancing Your Reading Experience
 - Adjustable Fonts and Text Sizes of 1000 Watts Amp Schematic
 - Highlighting and Note-Taking 1000 Watts Amp Schematic
 - Interactive Elements 1000 Watts Amp Schematic
- 8. Staying Engaged with 1000 Watts Amp Schematic
 - Joining Online Reading Communities
 - Participating in Virtual Book Clubs
 - Following Authors and Publishers 1000 Watts Amp Schematic
- 9. Balancing eBooks and Physical Books 1000 Watts Amp Schematic
 - Benefits of a Digital Library
 - Creating a Diverse Reading Collection 1000 Watts Amp Schematic
- 10. Overcoming Reading Challenges
 - Dealing with Digital Eye Strain
 - Minimizing Distractions
 - Managing Screen Time
- 11. Cultivating a Reading Routine 1000 Watts Amp Schematic
 - Setting Reading Goals 1000 Watts Amp Schematic
 - Carving Out Dedicated Reading Time
- 12. Sourcing Reliable Information of 1000 Watts Amp Schematic
 - Fact-Checking eBook Content of 1000 Watts Amp Schematic

- Distinguishing Credible Sources
- 13. Promoting Lifelong Learning
 - Utilizing eBooks for Skill Development
 - Exploring Educational eBooks
- 14. Embracing eBook Trends
 - Integration of Multimedia Elements
 - Interactive and Gamified eBooks

1000 Watts Amp Schematic Introduction

In this digital age, the convenience of accessing information at our fingertips has become a necessity. Whether its research papers, eBooks, or user manuals, PDF files have become the preferred format for sharing and reading documents. However, the cost associated with purchasing PDF files can sometimes be a barrier for many individuals and organizations. Thankfully, there are numerous websites and platforms that allow users to download free PDF files legally. In this article, we will explore some of the best platforms to download free PDFs. One of the most popular platforms to download free PDF files is Project Gutenberg. This online library offers over 60,000 free eBooks that are in the public domain. From classic literature to historical documents, Project Gutenberg provides a wide range of PDF files that can be downloaded and enjoyed on various devices. The website is user-friendly and allows users to search for specific titles or browse through different categories. Another reliable platform for downloading 1000 Watts Amp Schematic free PDF files is Open Library. With its vast collection of over 1 million eBooks, Open Library has something for every reader. The website offers a seamless experience by providing options to borrow or download PDF files. Users simply need to create a free account to access this treasure trove of knowledge. Open Library also allows users to contribute by uploading and sharing their own PDF files, making it a collaborative platform for book enthusiasts. For those interested in academic resources, there are websites dedicated to providing free PDFs of research papers and scientific articles. One such website is Academia.edu, which allows researchers and scholars to share their work with a global audience. Users can download PDF files of research papers, theses, and dissertations covering a wide range of subjects. Academia.edu also provides a platform for discussions and networking within the academic community. When it comes to downloading 1000 Watts Amp Schematic free PDF files of magazines, brochures, and catalogs, Issuu is a popular choice. This digital publishing platform hosts a vast collection of publications from around the world. Users can search for specific titles or explore various categories and genres. Issuu offers a seamless reading experience with its user-friendly interface and allows users to download PDF files for offline reading. Apart from dedicated platforms, search engines also play a crucial role in finding free PDF files. Google, for instance, has an advanced search

feature that allows users to filter results by file type. By specifying the file type as "PDF," users can find websites that offer free PDF downloads on a specific topic. While downloading 1000 Watts Amp Schematic free PDF files is convenient, it's important to note that copyright laws must be respected. Always ensure that the PDF files you download are legally available for free. Many authors and publishers voluntarily provide free PDF versions of their work, but it's essential to be cautious and verify the authenticity of the source before downloading 1000 Watts Amp Schematic. In conclusion, the internet offers numerous platforms and websites that allow users to download free PDF files legally. Whether it's classic literature, research papers, or magazines, there is something for everyone. The platforms mentioned in this article, such as Project Gutenberg, Open Library, Academia.edu, and Issuu, provide access to a vast collection of PDF files. However, users should always be cautious and verify the legality of the source before downloading 1000 Watts Amp Schematic any PDF files. With these platforms, the world of PDF downloads is just a click away.

FAQs About 1000 Watts Amp Schematic Books

What is a 1000 Watts Amp Schematic PDF? A PDF (Portable Document Format) is a file format developed by Adobe that preserves the layout and formatting of a document, regardless of the software, hardware, or operating system used to view or print it. **How do I create a 1000 Watts Amp Schematic PDF?** There are several ways to create a PDF: Use software like Adobe Acrobat, Microsoft Word, or Google Docs, which often have built-in PDF creation tools. Print to PDF: Many applications and operating systems have a "Print to PDF" option that allows you to save a document as a PDF file instead of printing it on paper. Online converters: There are various online tools that can convert different file types to PDF. **How do I edit a 1000 Watts Amp Schematic PDF?** Editing a PDF can be done with software like Adobe Acrobat, which allows direct editing of text, images, and other elements within the PDF. Some free tools, like PDFescape or Smallpdf, also offer basic editing capabilities. **How do I convert a 1000 Watts Amp Schematic PDF to another file format?** There are multiple ways to convert a PDF to another format: Use online converters like Smallpdf, Zamzar, or Adobe Acrobat's export feature to convert PDFs to formats like Word, Excel, JPEG, etc. Software like Adobe Acrobat, Microsoft Word, or other PDF editors may have options to export or save PDFs in different formats. **How do I password-protect a 1000 Watts Amp Schematic PDF?** Most PDF editing software allows you to add password protection. In Adobe Acrobat, for instance, you can go to "File" -> "Properties" -> "Security" to set a password to restrict access or editing capabilities. Are there any free alternatives to Adobe Acrobat for working with PDFs? Yes, there are many free alternatives for working with PDFs, such as: LibreOffice: Offers PDF editing features. PDFsam: Allows splitting, merging, and editing PDFs. Foxit Reader: Provides basic PDF viewing and editing capabilities. How do I compress a PDF file? You can use online tools like Smallpdf, ILovePDF, or desktop software

like Adobe Acrobat to compress PDF files without significant quality loss. Compression reduces the file size, making it easier to share and download. Can I fill out forms in a PDF file? Yes, most PDF viewers/editors like Adobe Acrobat, Preview (on Mac), or various online tools allow you to fill out forms in PDF files by selecting text fields and entering information. Are there any restrictions when working with PDFs? Some PDFs might have restrictions set by their creator, such as password protection, editing restrictions, or print restrictions. Breaking these restrictions might require specific software or tools, which may or may not be legal depending on the circumstances and local laws.

Find 1000 Watts Amp Schematic :

~~a spanish vengeance~~

a319 a320 a321 flight crew training manual

a very english affair affair series book english edition

a wish to build a dream on english edition

a2r unit 10 review answers

ab15 plus ph meter manual

a1 maintenance acura mdx

~~abacus worksheets with answer~~

aastra 470 user manual

a year of miracles daily devotions and reflections

a7v8x x manual

a series of regenerations in a charmed life

a320 ecam manual

a380 hydraulic pulse

a vintage affair

1000 Watts Amp Schematic :

essentials of orthognathic surgery 2nd edition hardcover - Sep 25 2022

web may 28 2011 *essentials of orthognathic surgery 2nd edition may 2011 british dental journal official journal of the british dental association bdj online 210 10 495 6*

essentials of orthognathic surgery 2nd edition hardcover - Nov 27 2022

web may 24 2022 principles and practice of orthognathic surgery 2nd edition covers the concepts and skills required to diagnose and correct dentofacial deformities featuring

essentials of orthognathic surgery 2nd edition online dental - Dec 17 2021

web essentials of orthognathic surgery second edition essentials of orthognathic surgery second edition johan p reyneke table of contents

essentials of orthognathic surgery 2nd edition researchgate - Aug 25 2022

web the revised edition of this essential text presents a concise approach to the diagnosis and surgical treatment of dentofacial deformities encountered in clinical practice the

essentials of orthognathic surgery perlego - Jan 18 2022

web essentials of orthognathic surgery 2nd edition online dental library price 7 essentials of orthognathic surgery the revised edition of this popular book presents

essentials of orthognathic surgery 2nd edition - May 02 2023

web essentials of orthognathic surgery 2nd edition johan p reyneke quintessence 2010 quintpub com 280 pages 821 illustrations most in color 180 00 reviewed by

johan reyneke essentials of orthognathic surgery - Apr 20 2022

web although the basic science of orthognathic surgery remains unchanged the contents of this book have been updated to reflect the most current interpretation of diagnostic data

essentials of orthognathic surgery second edition ebook - Jan 30 2023

web johan p reyneke quintessence publishing company 2003 face 312 pages this text offers a practical easy to follow approach to the diagnosis and treatment of the most

essentials of orthognathic surgery second edition quintessence - Jul 04 2023

web Ürün Özellikleri essentials of orthognathic surgery second edition author s editor s reyneke johan p price 180 euro stock b5006 the revised

essentials of orthognathic surgery second edition - Nov 15 2021

essentials of orthognathic surgery 2nd edition - Sep 06 2023

web oct 1 2010 essentials of orthognathic surgery 2nd edition 2nd edition by johan p reyneke author 5 0 12 ratings see all formats and editions there is a newer edition

essentials of orthognathic surgery second edition storytel - Feb 16 2022

web second edition johan p reyneke book details book preview table of contents citations about this book the revised edition

of this essential text presents a concise

essentials of orthognathic surgery 2nd edition british dental - Oct 07 2023

web may 27 2011 essentials of orthognathic surgery 2nd edition j p reyneke uk quintessence price 128 00 pp 281 isbn 9780867155006 isbn 978 0 8671 5500 6

essentials of orthognathic surgery second edition amazon in - Jul 24 2022

web description find the latest thinking on the evaluation and treatment of dentofacial deformities principles and practice of orthognathic surgery 2nd edition covers the

essentials of orthognathic surgery second edition 2nd edition - Feb 28 2023

web essentials of orthognathic surgery second edition 2nd edition is written by johan p reyneke and published by quintessence the digital and etextbook isbns for

orthognathic surgery 2 volume set 2nd edition elsevier health - Oct 27 2022

web the revised edition of this popular book presents a concise approach to the diagnosis and surgical treatment of patients with dentofacial deformities in depth chapters detail the

essentials of orthognathic surgery second edition epub - Mar 20 2022

web the revised edition of this essential text presents a concise approach to the diagnosis and surgical treatment of dentofacial deformities encountered in clinical practice the

essentials of orthognathic surgery 2nd edition goodreads - Apr 01 2023

web jan 1 2003 5 00 2 ratings0 reviews the revised edition of this popular book presents a concise approach to the diagnosis and surgical treatment of patients with dentofacial

essentials of orthognathic surgery 2nd edition american - Aug 05 2023

web essentials of orthognathic surgery 2nd edition this text begins with a concise description of the principles and treatment objectives of orthognathic surgery

essentials of orthognathic surgery 2nd edition nature - Jun 03 2023

web essentials of orthognathic surgery 2nd edition j p reyneke uk quintessence price 128 00 pp 281 isbn 9780867155006 this is the second edition

essentials of orthognathic surgery 2nd edition semantic scholar - May 22 2022

web essentials of orthognathic surgery 3rd edition 2022 book hardcover 21 6 x 28 cm 320 pages 1165 illus language english category oral maxillofacial surgery stock

orthognathic surgery 2 volume set 2nd edition us elsevier - Jun 22 2022

web may 1 2011 essentials of orthognathic surgery 2nd edition o tabbenor published 1 may 2011 medicine bdj tldr this book

covers the treatment of endodontic

essentials of orthognathic surgery johan p reyneke google - Dec 29 2022

web essentials of orthognathic surgery 2nd edition hardcover johan p reyneke 5 avg rating 2 ratings by goodreads hardcover isbn 10 0867155000 isbn 13

problem solving abstraction design using c google books - May 13 2023

web problem solving abstraction design using c this revision of the classic problem solving abstraction and design using c presents and then reinforces the basic principles of software engineering and object oriented programming while introducing the c programming language

abstraction in problem solving and learning ijcai - Jan 29 2022

web abstraction has proven to be a powerful tool for control ling the combinatorics of a problem solving search korf 1987 problem solving using abstract versions of tasks can provide cost effective search heuristics and evalua tions for the original or full tasks which significantly reduce their computational complexity and thus make

problem solving abstraction and design using c - Feb 10 2023

web nov 21 2011 problem solving abstraction and design using c home computer science programming introductory c problem solving abstraction and design

problem solving abstraction and design using c guide - Aug 16 2023

web problem solving abstraction and design using c problem solving abstraction and design using c presents and reinforces basic principles of software engineering design and object oriented programming concepts while

problem solving abstraction and design using c pearson - Sep 05 2022

web nov 20 2011 problem solving abstraction and design using c 6th edition published by pearson november 21 2011 2011 frank l friedman elliot b koffman temple university

problem solving abstraction and design using c - Jul 03 2022

web problem solving abstraction and design using c friedman frank l free download borrow and streaming internet archive

problem solving abstraction and design using c - Feb 27 2022

web the book assumes very little about the reader and is a generalintroduction to programming using c as a first language in good textbook style there are review questions and exercises of varying levels at the end of each chapter

problem solving abstraction design using c open library - Aug 04 2022

web jan 31 2023 problem solving abstraction and design using c by frank l friedman elliot b koffman robin koffman 2000 addison wesley edition in english 3rd ed

problem solving abstraction design using c archive org - May 01 2022

web ch 1 introduction to computers problem solving and programming ch 2 overview of c ch 3 top down design with functions and classes ch 4 selection structures if and switch statements ch 5 repetition and loop statements ch 6 modular programming ch 7 simple data types ch 8 streams and files ch 9

[problem solving abstraction and design using c](#) - Jun 14 2023

web mar 8 2010 problem solving abstraction and design using c presents and reinforces basic principles of software engineering design and object oriented programming concepts while introducing the c programming language the hallmark feature of this book is the software development method that is introduced in the first chapter and

problem solving abstraction and design using c pearson - Mar 11 2023

web problem solving abstraction and design using c presents and reinforces basic principles of software engineering design and object oriented programming concepts while introducing the c programming language

problem solving abstraction and design using c guide books - Nov 07 2022

web as with the original this book stresses problem solving techniques while introducing students to object oriented concepts early the system defined string and stream classes and a user defined money class are used to reinforce

problem solving abstraction and design using c - Dec 08 2022

web problem solving abstraction and design using c frank l friedman elliot b koffman addison wesley publishing company 1997 c computer program language 713 pages 1 review reviews aren t

[problem solving abstraction and design using c](#) - Jul 15 2023

web problem solving abstraction and design using c friedman frank l koffman elliot b amazon com tr kitap

[problem solving abstraction and design using c 4th edition](#) - Jan 09 2023

web aug 11 2003 problem solving abstraction and design using c presents and then reinforces the basic principles of software engineering and object oriented programming while introducing the c programming language the hallmarks of this book are the focus on problem solving and program design

[problem solving abstraction and design using c](#) - Jun 02 2022

web problem solving abstraction and design using c item preview remove circle share or embed this item share to twitter share to facebook share to reddit problem solving abstraction and design using c by friedman frank l publication date 1997 topics c computer program language c softwareentwicklung softwareentwicklung

[speeding up problem solving by abstraction a graph oriented](#) - Mar 31 2022

web aug 1 1996 this paper presents a new perspective on the traditional ai task of problem solving and the techniques of abstraction and refinement the new perspective is based on the well known but little exploited relation between problem solving and the task of finding a path in a graph between two given nodes the graph oriented view of

problem solving abstraction and design using c guide - Apr 12 2023

web feb 1 2000 from the publisher while emphasizing problem solving and programming skills the authors introduce object oriented concepts early in the text the system defined string and stream classes and a user defined money class are used to reinforce the importance of data modeling in programming

problem solving abstraction and design using c 2nd ed - Oct 06 2022

web jan 1 1997 problem solving abstraction and design using c 2nd ed january 1997

problem solving abstraction and design using c 6th edition - Dec 28 2021

web our interactive player makes it easy to find solutions to problem solving abstraction and design using c 6th edition problems you re working on just go to the chapter for your book hit a particularly tricky question bookmark it to easily review again before an

second grade big fun workbook highlights tm big f pdf - Mar 31 2022

web jun 6 2023 second grade big fun workbook highlights tm big f 2 10 downloaded from uniport edu ng on june 6 2023 by guest get a good night sleep reveals how cutting edge developments in neuroscience and evidence based practices can be used to improve your everyday life other titles by dr arden

second grade big fun workbook highlights big fun workbooks - Jul 03 2022

web oct 2 2018 with over 250 pages of fun puzzle based activities including highlights tm hidden pictures r second graders will practice a variety of skills in subjects like language arts math and science through exercises that will boost their confidence and supplement what they re learning in school

amazon com customer reviews second grade big fun workbook highlights - Feb 27 2022

web find helpful customer reviews and review ratings for second grade big fun workbook highlights big fun activity workbooks at amazon com read honest and unbiased product reviews from our users

second grade big fun workbook highlights learning google - Jun 14 2023

web power up kids second grade skills with pages of fun puzzle based activities including highlights hidden pictures this workbook offers age appropriate fundamentals in language arts math and science plus reading phonics vocabulary grammar cursive addition and subtraction fractions time social studies map skills science and more

big fun second grade workbook highlights for children - Feb 10 2023

web description the award winning big fun second grade workbook helps kids learn in a way that s fun by blending lessons with puzzles grade appropriate exercises are incorporated into hidden pictures scenes and other activities that help kids succeed and feel confident in school

highlights tm big fun activity workbooks series toppsta - Sep 05 2022

web read reviews of all the highlights tm big fun activity workbooks books and how to read highlights tm big fun activity workbooks in order book 1 in the series is the big fun preschool activity book build skills and confidence through puzzles and earl

[second grade big fun workbook highlights big fun activity workbooks](#) - Jul 15 2023

web second grade big fun workbook highlights big fun activity workbooks paperback highlights amazon com tr kitap

[second grade big fun workbook highlights tm big f pdf full](#) - Aug 04 2022

web second grade big fun workbook highlights tm big f pdf second grade big fun workbook highlights tm big f pdf book review unveiling the magic of language in an electronic digital era where connections and knowledge reign supreme the enchanting power of language has become more apparent than ever its capability to stir emotions

[second grade big fun workbook highlights big fun activity workbooks](#) - Aug 16 2023

web oct 2 2018 mastering second grade reading and writing is fun with this workbook its award winning content blends reading and writing practice with highlights puzzles humor and playful art to keep learning exciting for students this book is designed to reduce kids math anxiety with fun puzzles and humor

[second grade big fun workbook highlights tm big f music](#) - Oct 06 2022

web standards the second grade big fun workbook will engage students and get them excited about learning it s a family choice award winner pal play advances language award winner a

[kindergarten big fun workbook highlights big fun activity workbooks](#) - Dec 08 2022

web apr 4 2017 serving preschool through second grade these award winning highlights learning workbooks and learning products take our kid approved approach and organize it into a progressive framework aligned with school standards and approved by teachers

[second grade big fun workbook highlights tm big fun activity workbooks](#) - Dec 28 2021

web begin getting this details it will vastly relaxation you to see tutorial second grade big fun workbook highlights tm big fun activity workbooks by highlights learning as you such as plainly put the second grade big fun workbook highlights tm big fun activity workbooks by highlights learning is commonly congruent with any devices to

[pdf second grade big fun workbook highlights big fun](#) - Apr 12 2023

web with pages of fun puzzle based activities including highlights hidden pictures this workbook offers age appropriate fundamentals in language arts math and science plus reading phonics vocabulary grammar cursive addition and subtraction fractions time social studies map skills science and more

[second grade big fun workbook highlights tm big f](#) - Nov 07 2022

web apr 21 2023 grade big fun workbook highlights tm big f is available in our digital library an online entrance to it is set

as public for that reason you can download it instantly

read download second grade big fun workbook highlights big fun - Mar 11 2023

web big fun activity workbooks pdf read online second grade big fun workbook highlights big fun activity workbooks unlimited

second grade big fun workbook by highlights learning - May 13 2023

web oct 2 2018 power up kids second grade skills with pages of fun puzzle based activities including highlights hidden pictures this workbook offers age appropriate fundamentals in language arts math and science plus reading phonics vocabulary grammar cursive addition and subtraction fractions time social studies map skills science and more

second grade big fun workbook by highlights learning - May 01 2022

web with over 250 pages of fun puzzle based activities including highlights tm hidden pictures second graders will practice a variety of skills in subjects like language arts math and science through exercises that will boost their confidence and supplement what they re learning in school

second grade big fun workbook highlights tm big f pdf 2023 - Jan 09 2023

web educational experts teacher approved and aligned with state standards the second grade big fun workbook will engage students and get them excited about learning it s a family choice award winner pal play advances language award winner a parents choice recommended book and a pal top ten pick

second grade big fun workbook highlights big fun workbooks - Jun 02 2022

web see second grade big fun workbook highlights big fun workbooks paperback product and its price history

second grade big fun workbook highlights tm big f pdf - Jan 29 2022

web download and install second grade big fun workbook highlights tm big f in view of that simple second grade big fun workbook highlights tm big f downloaded from ol wise edu jo by guest journey ayers get ready for 2nd grade math big workbook children will enjoy dozens of fun activities in these multicurriculum workbooks each