

# PHYSICAL SCIENCES P.1

# SCOPE

# GRADE 12

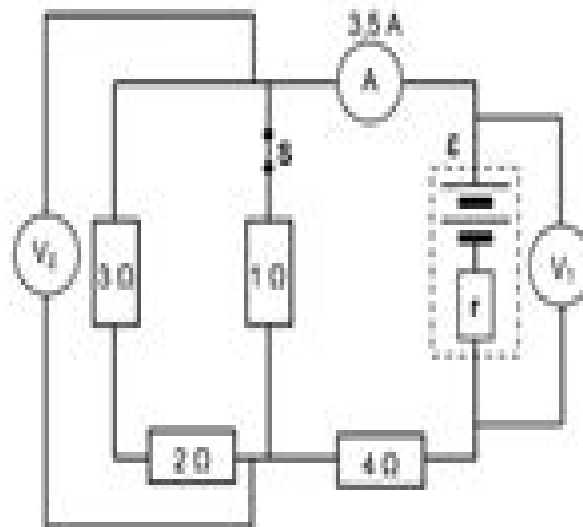
2024

## FINAL EXAM



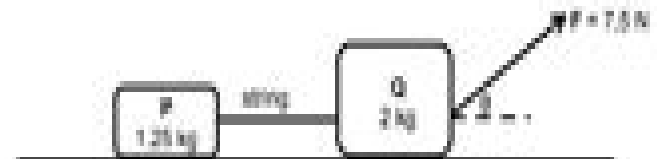
basic education

Department:  
Basic Education  
REPUBLIC OF SOUTH AFRICA



mass  $1.25 \text{ kg}$  is connected to another crate,  $Q$ , of mass  $2 \text{ kg}$  by a light string. The two crates are placed on a rough horizontal surface. A force  $F$  of magnitude  $7.5 \text{ N}$ , acting at angle  $\theta$  to the horizontal, is applied on shown in the diagram below.

accelerate at  $0.1 \text{ m s}^{-2}$  to the right.



# 14 Grade Physical Science Final Examination Scope Facebook

**Lei Huang**



**14 Grade Physical Science Final Examination Scope Facebook:**

## Unveiling the Power of Verbal Beauty: An Mental Sojourn through **14 Grade Physical Science Final Examination Scope Facebook**

In a world inundated with monitors and the cacophony of quick interaction, the profound power and psychological resonance of verbal art often fade into obscurity, eclipsed by the continuous onslaught of sound and distractions. Yet, located within the musical pages of **14 Grade Physical Science Final Examination Scope Facebook**, a interesting perform of literary beauty that impulses with organic feelings, lies an unforgettable trip waiting to be embarked upon. Penned with a virtuoso wordsmith, this interesting opus books readers on a mental odyssey, lightly exposing the latent possible and profound impact embedded within the intricate internet of language. Within the heart-wrenching expanse with this evocative examination, we will embark upon an introspective exploration of the book is key styles, dissect its captivating publishing style, and immerse ourselves in the indelible effect it leaves upon the depths of readers souls.

<https://legacy.tortoisemedia.com/public/detail/fetch.php/Alpha%20Decay%20Phet%20Answers.pdf>

### **Table of Contents 14 Grade Physical Science Final Examination Scope Facebook**

1. Understanding the eBook 14 Grade Physical Science Final Examination Scope Facebook
  - The Rise of Digital Reading 14 Grade Physical Science Final Examination Scope Facebook
  - Advantages of eBooks Over Traditional Books
2. Identifying 14 Grade Physical Science Final Examination Scope Facebook
  - Exploring Different Genres
  - Considering Fiction vs. Non-Fiction
  - Determining Your Reading Goals
3. Choosing the Right eBook Platform
  - Popular eBook Platforms
  - Features to Look for in an 14 Grade Physical Science Final Examination Scope Facebook
  - User-Friendly Interface
4. Exploring eBook Recommendations from 14 Grade Physical Science Final Examination Scope Facebook

- Personalized Recommendations
  - 14 Grade Physical Science Final Examination Scope Facebook User Reviews and Ratings
  - 14 Grade Physical Science Final Examination Scope Facebook and Bestseller Lists
5. Accessing 14 Grade Physical Science Final Examination Scope Facebook Free and Paid eBooks
    - 14 Grade Physical Science Final Examination Scope Facebook Public Domain eBooks
    - 14 Grade Physical Science Final Examination Scope Facebook eBook Subscription Services
    - 14 Grade Physical Science Final Examination Scope Facebook Budget-Friendly Options
  6. Navigating 14 Grade Physical Science Final Examination Scope Facebook eBook Formats
    - ePub, PDF, MOBI, and More
    - 14 Grade Physical Science Final Examination Scope Facebook Compatibility with Devices
    - 14 Grade Physical Science Final Examination Scope Facebook Enhanced eBook Features
  7. Enhancing Your Reading Experience
    - Adjustable Fonts and Text Sizes of 14 Grade Physical Science Final Examination Scope Facebook
    - Highlighting and Note-Taking 14 Grade Physical Science Final Examination Scope Facebook
    - Interactive Elements 14 Grade Physical Science Final Examination Scope Facebook
  8. Staying Engaged with 14 Grade Physical Science Final Examination Scope Facebook
    - Joining Online Reading Communities
    - Participating in Virtual Book Clubs
    - Following Authors and Publishers 14 Grade Physical Science Final Examination Scope Facebook
  9. Balancing eBooks and Physical Books 14 Grade Physical Science Final Examination Scope Facebook
    - Benefits of a Digital Library
    - Creating a Diverse Reading Collection 14 Grade Physical Science Final Examination Scope Facebook
  10. Overcoming Reading Challenges
    - Dealing with Digital Eye Strain
    - Minimizing Distractions
    - Managing Screen Time
  11. Cultivating a Reading Routine 14 Grade Physical Science Final Examination Scope Facebook
    - Setting Reading Goals 14 Grade Physical Science Final Examination Scope Facebook
    - Carving Out Dedicated Reading Time
  12. Sourcing Reliable Information of 14 Grade Physical Science Final Examination Scope Facebook

- Fact-Checking eBook Content of 14 Grade Physical Science Final Examination Scope Facebook
  - Distinguishing Credible Sources
13. Promoting Lifelong Learning
- Utilizing eBooks for Skill Development
  - Exploring Educational eBooks
14. Embracing eBook Trends
- Integration of Multimedia Elements
  - Interactive and Gamified eBooks

### 14 Grade Physical Science Final Examination Scope Facebook Introduction

In this digital age, the convenience of accessing information at our fingertips has become a necessity. Whether its research papers, eBooks, or user manuals, PDF files have become the preferred format for sharing and reading documents. However, the cost associated with purchasing PDF files can sometimes be a barrier for many individuals and organizations. Thankfully, there are numerous websites and platforms that allow users to download free PDF files legally. In this article, we will explore some of the best platforms to download free PDFs. One of the most popular platforms to download free PDF files is Project Gutenberg. This online library offers over 60,000 free eBooks that are in the public domain. From classic literature to historical documents, Project Gutenberg provides a wide range of PDF files that can be downloaded and enjoyed on various devices. The website is user-friendly and allows users to search for specific titles or browse through different categories. Another reliable platform for downloading 14 Grade Physical Science Final Examination Scope Facebook free PDF files is Open Library. With its vast collection of over 1 million eBooks, Open Library has something for every reader. The website offers a seamless experience by providing options to borrow or download PDF files. Users simply need to create a free account to access this treasure trove of knowledge. Open Library also allows users to contribute by uploading and sharing their own PDF files, making it a collaborative platform for book enthusiasts. For those interested in academic resources, there are websites dedicated to providing free PDFs of research papers and scientific articles. One such website is Academia.edu, which allows researchers and scholars to share their work with a global audience. Users can download PDF files of research papers, theses, and dissertations covering a wide range of subjects. Academia.edu also provides a platform for discussions and networking within the academic community. When it comes to downloading 14 Grade Physical Science Final Examination Scope Facebook free PDF files of magazines, brochures, and catalogs, Issuu is a popular choice. This digital publishing platform hosts a vast collection of publications from around the world. Users can search for specific titles or explore various categories and genres. Issuu offers a seamless reading experience with its user-friendly interface and

allows users to download PDF files for offline reading. Apart from dedicated platforms, search engines also play a crucial role in finding free PDF files. Google, for instance, has an advanced search feature that allows users to filter results by file type. By specifying the file type as "PDF," users can find websites that offer free PDF downloads on a specific topic. While downloading 14 Grade Physical Science Final Examination Scope Facebook free PDF files is convenient, its important to note that copyright laws must be respected. Always ensure that the PDF files you download are legally available for free. Many authors and publishers voluntarily provide free PDF versions of their work, but its essential to be cautious and verify the authenticity of the source before downloading 14 Grade Physical Science Final Examination Scope Facebook. In conclusion, the internet offers numerous platforms and websites that allow users to download free PDF files legally. Whether its classic literature, research papers, or magazines, there is something for everyone. The platforms mentioned in this article, such as Project Gutenberg, Open Library, Academia.edu, and Issuu, provide access to a vast collection of PDF files. However, users should always be cautious and verify the legality of the source before downloading 14 Grade Physical Science Final Examination Scope Facebook any PDF files. With these platforms, the world of PDF downloads is just a click away.

### **FAQs About 14 Grade Physical Science Final Examination Scope Facebook Books**

How do I know which eBook platform is the best for me? Finding the best eBook platform depends on your reading preferences and device compatibility. Research different platforms, read user reviews, and explore their features before making a choice. Are free eBooks of good quality? Yes, many reputable platforms offer high-quality free eBooks, including classics and public domain works. However, make sure to verify the source to ensure the eBook credibility. Can I read eBooks without an eReader? Absolutely! Most eBook platforms offer webbased readers or mobile apps that allow you to read eBooks on your computer, tablet, or smartphone. How do I avoid digital eye strain while reading eBooks? To prevent digital eye strain, take regular breaks, adjust the font size and background color, and ensure proper lighting while reading eBooks. What the advantage of interactive eBooks? Interactive eBooks incorporate multimedia elements, quizzes, and activities, enhancing the reader engagement and providing a more immersive learning experience. 14 Grade Physical Science Final Examination Scope Facebook is one of the best book in our library for free trial. We provide copy of 14 Grade Physical Science Final Examination Scope Facebook in digital format, so the resources that you find are reliable. There are also many Ebooks of related with 14 Grade Physical Science Final Examination Scope Facebook. Where to download 14 Grade Physical Science Final Examination Scope Facebook online for free? Are you looking for 14 Grade Physical Science Final Examination Scope Facebook PDF? This is definitely going to save you time and cash in something you should think about. If you trying to find then search around for online. Without a doubt there are numerous these available and many of them have the freedom.

## 14 Grade Physical Science Final Examination Scope Facebook

---

However without doubt you receive whatever you purchase. An alternate way to get ideas is always to check another 14 Grade Physical Science Final Examination Scope Facebook. This method for see exactly what may be included and adopt these ideas to your book. This site will almost certainly help you save time and effort, money and stress. If you are looking for free books then you really should consider finding to assist you try this. Several of 14 Grade Physical Science Final Examination Scope Facebook are for sale to free while some are payable. If you arent sure if the books you would like to download works with for usage along with your computer, it is possible to download free trials. The free guides make it easy for someone to free access online library for download books to your device. You can get free download on free trial for lots of books categories. Our library is the biggest of these that have literally hundreds of thousands of different products categories represented. You will also see that there are specific sites catered to different product types or categories, brands or niches related with 14 Grade Physical Science Final Examination Scope Facebook. So depending on what exactly you are searching, you will be able to choose e books to suit your own need. Need to access completely for Campbell Biology Seventh Edition book? Access Ebook without any digging. And by having access to our ebook online or by storing it on your computer, you have convenient answers with 14 Grade Physical Science Final Examination Scope Facebook To get started finding 14 Grade Physical Science Final Examination Scope Facebook, you are right to find our website which has a comprehensive collection of books online. Our library is the biggest of these that have literally hundreds of thousands of different products represented. You will also see that there are specific sites catered to different categories or niches related with 14 Grade Physical Science Final Examination Scope Facebook So depending on what exactly you are searching, you will be able to choose ebook to suit your own need. Thank you for reading 14 Grade Physical Science Final Examination Scope Facebook. Maybe you have knowledge that, people have search numerous times for their favorite readings like this 14 Grade Physical Science Final Examination Scope Facebook, but end up in harmful downloads. Rather than reading a good book with a cup of coffee in the afternoon, instead they juggled with some harmful bugs inside their laptop. 14 Grade Physical Science Final Examination Scope Facebook is available in our book collection an online access to it is set as public so you can download it instantly. Our digital library spans in multiple locations, allowing you to get the most less latency time to download any of our books like this one. Merely said, 14 Grade Physical Science Final Examination Scope Facebook is universally compatible with any devices to read.

### **Find 14 Grade Physical Science Final Examination Scope Facebook :**

[alpha decay phet answers](#)

[altec repair manual](#)

**alliteration poems for middle school**



[altivar 31 quick start guide](#)

[alstom sf6 circuit breaker](#)

**alliteration examples using math**

[along came twins](#)

**always tried and proven english edition**

[alpha chiang solution manual third](#)

[altar workers training manual](#)

[allen s daughter](#)

**allis chalmers wd hydraulic system repair**

[allende s chile an inside view](#)

[alstom 902 manual](#)

[alliteration poems sports golf](#)

### **14 Grade Physical Science Final Examination Scope Facebook :**

365 Science of Mind: A Year of Daily... by Holmes, Ernest This newly repackaged edition of one of Tarcher's bestselling Holmes backlist titles contains wisdom designed to help each reader experience the Science of Mind ... 365 Science of Mind: A Year of Daily Wisdom from Ernest ... This newly repackaged edition of one of Tarcher's bestselling Holmes backlist titles contains wisdom designed to help each reader experience the Science of Mind ... Download [PDF] 365 Science of Mind: A Year of Daily ... Jun 18, 2020 — Download [PDF] 365 Science of Mind: A Year of Daily Wisdom From Ernest Holmes Full-Access · TAGS · acces · ratings · rates · ounces · inches ... 365 Science of Mind: A Year of Daily Wisdom (Softcover) Daily meditations are central to the Science of Mind philosophy : whatever a person believes is what he or she lives. From the early 1940s until his passing in ... 365 Science of Mind: A Year of Daily Wisdom from Ernest ... This newly repackaged edition of one of Tarcher's bestselling Holmes backlist titles contains wisdom designed to help each reader experience the Science of. 365 Science of Mind: A Year of Daily Wisdom... A companion volume to The Science of Mind presents a year's worth of daily meditations--complemented by scriptural passages and words of wisdom from great ... 365 Science of Mind: A Year of Daily Wisdom From Ernest ... A companion volume to The Science of Mind presents a year's worth of daily meditations--complemented by scriptural passages and words of wisdom from great ... 365 Science of Mind 365 Science of Mind. A Year of Daily Wisdom from. Ernest Holmes. A group for reflection and comment on the daily readings in this wonderful collection of 365 Science of Mind Quotes by Ernest Shurtleff Holmes 11 quotes from 365 Science of Mind: A Year of Daily Wisdom From Ernest Holmes: 'I believe that Love is at the center of everything; therefore, I accept L... 365 Ernest Holmes Daily

Affirmations to Heal and Inspire ... Would you like to receive an affirmation by Ernest Holmes (the founder of the Science of Mind) in your email every day? Il tempo, grande scultore: 9788806577605 Il tempo, grande scultore - Softcover. 4.07 avg rating • ( 323 ratings by Goodreads ) ... Traduzione di Giuseppe Guglielmi. Numero pagine 212. Seller Inventory ... Il tempo, grande scultore - Marguerite Yourcenar Lunghezza stampa. 216 pagine · Lingua. Italiano · Editore. Einaudi · Data di pubblicazione. 18 aprile 2005 · Dimensioni. 12 x 1.2 x 19.5 cm · ISBN-10. 8806176838. Il tempo, grande scultore - Marguerite Yourcenar Lunghezza stampa. 214 pagine · Lingua. Italiano · Editore. Einaudi · Data di pubblicazione. 1 febbraio 1994 · ISBN-10. 8806134612 · ISBN-13. 978-8806134617. [PDF] Il Tempo, grande scultore Il Tempo, grande scultore · Marguerite Yourcenar, G. Guglielmi · Published 1994. Il Tempo, grande scultore - Marguerite Yourcenar Il Tempo, grande scultore - Marguerite Yourcenar · Traduzione di Giuseppe Guglielmi · Edizioni Einaudi · Saggistica · Pagg. 216 · ISBN · Prezzo € 10,00 · Un invito a ... Il tempo, grande scultore - Marguerite Yourcenar - Libro Il tempo, grande scultore ; di Marguerite Yourcenar (Autore) ; Giuseppe Guglielmi (Traduttore) ; LIBRO. Venditore: IBS ; Venditore: IBS ; Descrizione. Diciotto saggi ... Il tempo, grande scultore - Marguerite Yourcenar - Libro Nov 24, 2023 — Una scrittura in cui il gusto dell'erudito, l'intensità di taluni punti di osservazione privilegiati, una particolare attenzione al destino ... Giuseppe Guglielmi Pierre Boulez, Punti di riferimento; Raymond Queneau, Troppo buoni con le donne; Marguerite Yourcenar, Il tempo, grande scultore; Charles Baudelaire ... Il tempo, grande scultore - Marguerite Yourcenar Informazioni bibliografiche ; tradotto da, Giuseppe Guglielmi ; Edizione, 9 ; Editore, Einaudi, 2005 ; ISBN, 8806176838, 9788806176839 ; Lunghezza, 216 pagine. Citaro: Variants The term “low entry” says it all: From the front end right back to the centre entrance, buses in this category are genuine low-floor vehicles that are built as ... Citaro Ü The Citaro covers every requirement in interurban transportation. From solo coach to articulated bus, from consistent low-floor design to Low Entry variants: ... Mercedes-Benz Citaro O530 LE diesel: low entry solo bus, length 12m, 2 axles, horizontal engine, 2 or 3 doors (the 3rd door is only available as single door); O530 LE Hybrid: low ... Ebook free Mercedes citaro low entry (2023) - resp.app Apr 17, 2023 — Right here, we have countless book mercedes citaro low entry and collections to check out. We additionally meet the expense of variant types ... Free reading Mercedes citaro low entry [PDF] ? resp.app Jan 13, 2023 — Yeah, reviewing a ebook mercedes citaro low entry could be credited with your close friends listings. This is just one of the solutions for ... Setra: The new family of low-entry buses Jul 10, 2023 — The joint umbrella brand for the group's buses (Mercedes and Setra) was found to be “EvoBus” (“Evo” as in Evolution.) And currently the name “ ... Citaro City Buses ... Mercedes- Benz Citaro. A vehicle that has revolutionised ... The Citaro is now available as a rigid bus, articulated bus and low-entry variant, with differing. Premiere: customer takes delivery of first ... Apr 17, 2013 — Low Entry: passenger-friendly and economical As the term “Low Entry” suggests, these buses feature a low-floor design from the front section up ... The Citaro interurban buses. - BUILDERSBUSES Low-Entry: Passenger-friendly and efficient. Low entry means: from the front end right back to the centre entrance, buses in this

category are genuine low ...