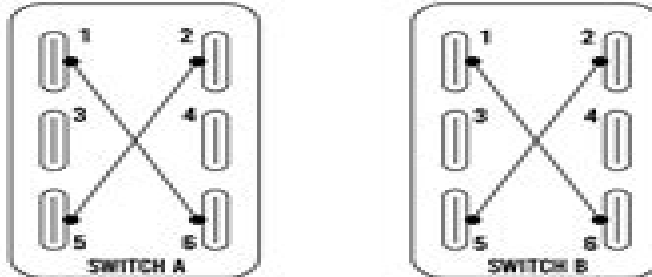


STEP 1: CONNECT TERMINAL 1 TO TERMINAL 6, AND TERMINAL 2 TO TERMINAL 5 ON BOTH SWITCHES

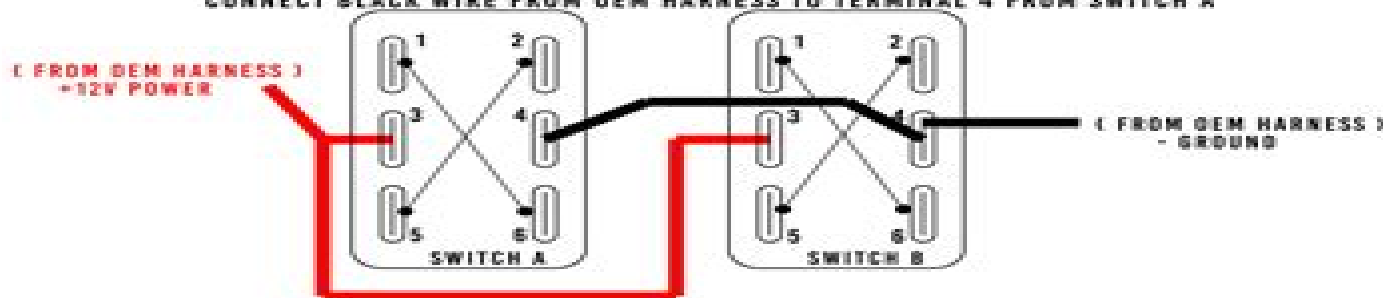


# NA MIATA POWER WINDOW WIRING DIAGRAM

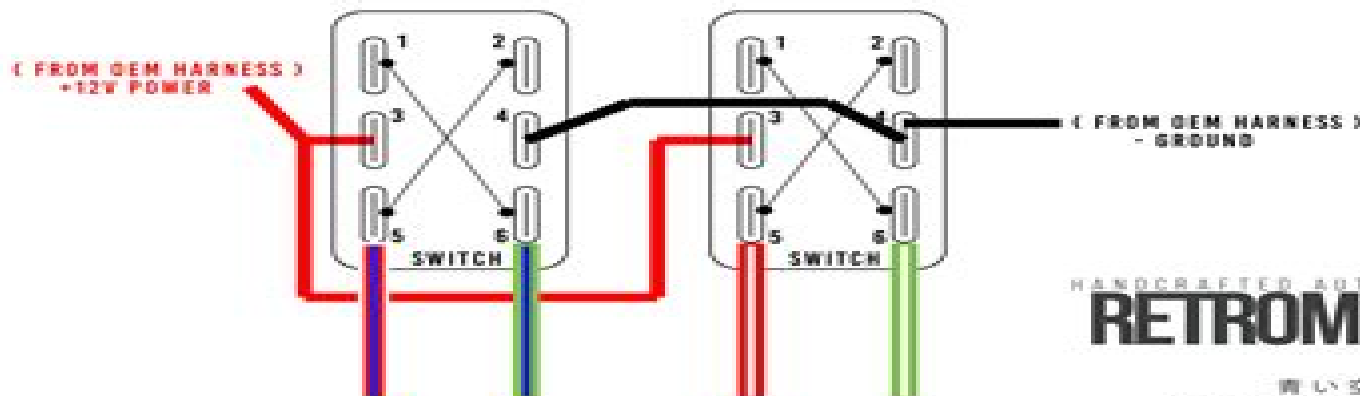
FOR RETRO-INSPIRED TOGGLE SWITCH MODIFICATION

INFORMATION PROVIDED ON AN "AS IS" BASIS. RETROMODERN USA IS NOT LIABLE FOR ANY DAMAGES THAT MAY OCCUR FROM THE USE OF THIS INFORMATION.

STEP 2: CONNECT TERMINAL 3 FROM SWITCH A TO TERMINAL 3 FROM SWITCH B.  
 CONNECT TERMINAL 4 FROM SWITCH A TO TERMINAL 4 FROM SWITCH B.  
 CONNECT RED WIRE FROM DEM HARNESS TO TERMINAL 3 FROM SWITCH A  
 CONNECT BLACK WIRE FROM DEM HARNESS TO TERMINAL 4 FROM SWITCH A



STEP 3: CONNECT TERMINAL 5 FROM SWITCH A TO RED/BLUE STRIPE WIRE  
 CONNECT TERMINAL 6 FROM SWITCH A TO GREEN/BLUE STRIPE WIRE  
 CONNECT TERMINAL 5 FROM SWITCH B TO RED/WHITE STRIPE WIRE  
 CONNECT TERMINAL 6 FROM SWITCH B TO GREEN/WHITE STRIPE WIRE



HANDCRAFTED AUTOMOTIVE PARTS  
**RETROMODERN USA**  
 EST. 2011 • CALIFORNIA

新しい空を愛する  
 ENJOYING THE ROADSTER LIFESTYLE

# 6 Hf150 Wiring Diagram Power Window

**N Noddings**



## **6 Hf150 Wiring Diagram Power Window:**

Thank you extremely much for downloading **6 Hf150 Wiring Diagram Power Window**. Most likely you have knowledge that, people have seen numerous times for their favorite books later this 6 Hf150 Wiring Diagram Power Window, but end happening in harmful downloads.

Rather than enjoying a fine PDF bearing in mind a cup of coffee in the afternoon, instead they juggled in the manner of some harmful virus inside their computer. **6 Hf150 Wiring Diagram Power Window** is manageable in our digital library an online access to it is set as public therefore you can download it instantly. Our digital library saves in complex countries, allowing you to get the most less latency time to download any of our books next this one. Merely said, the 6 Hf150 Wiring Diagram Power Window is universally compatible in the same way as any devices to read.

[https://legacy.tortoisemedia.com/results/Resources/HomePages/nfl\\_schedule\\_2026\\_guide.pdf](https://legacy.tortoisemedia.com/results/Resources/HomePages/nfl_schedule_2026_guide.pdf)

## **Table of Contents 6 Hf150 Wiring Diagram Power Window**

1. Understanding the eBook 6 Hf150 Wiring Diagram Power Window
  - The Rise of Digital Reading 6 Hf150 Wiring Diagram Power Window
  - Advantages of eBooks Over Traditional Books
2. Identifying 6 Hf150 Wiring Diagram Power Window
  - Exploring Different Genres
  - Considering Fiction vs. Non-Fiction
  - Determining Your Reading Goals
3. Choosing the Right eBook Platform
  - Popular eBook Platforms
  - Features to Look for in an 6 Hf150 Wiring Diagram Power Window
  - User-Friendly Interface
4. Exploring eBook Recommendations from 6 Hf150 Wiring Diagram Power Window
  - Personalized Recommendations
  - 6 Hf150 Wiring Diagram Power Window User Reviews and Ratings

- 6 Hf150 Wiring Diagram Power Window and Bestseller Lists
- 5. Accessing 6 Hf150 Wiring Diagram Power Window Free and Paid eBooks
  - 6 Hf150 Wiring Diagram Power Window Public Domain eBooks
  - 6 Hf150 Wiring Diagram Power Window eBook Subscription Services
  - 6 Hf150 Wiring Diagram Power Window Budget-Friendly Options
- 6. Navigating 6 Hf150 Wiring Diagram Power Window eBook Formats
  - ePub, PDF, MOBI, and More
  - 6 Hf150 Wiring Diagram Power Window Compatibility with Devices
  - 6 Hf150 Wiring Diagram Power Window Enhanced eBook Features
- 7. Enhancing Your Reading Experience
  - Adjustable Fonts and Text Sizes of 6 Hf150 Wiring Diagram Power Window
  - Highlighting and Note-Taking 6 Hf150 Wiring Diagram Power Window
  - Interactive Elements 6 Hf150 Wiring Diagram Power Window
- 8. Staying Engaged with 6 Hf150 Wiring Diagram Power Window
  - Joining Online Reading Communities
  - Participating in Virtual Book Clubs
  - Following Authors and Publishers 6 Hf150 Wiring Diagram Power Window
- 9. Balancing eBooks and Physical Books 6 Hf150 Wiring Diagram Power Window
  - Benefits of a Digital Library
  - Creating a Diverse Reading Collection 6 Hf150 Wiring Diagram Power Window
- 10. Overcoming Reading Challenges
  - Dealing with Digital Eye Strain
  - Minimizing Distractions
  - Managing Screen Time
- 11. Cultivating a Reading Routine 6 Hf150 Wiring Diagram Power Window
  - Setting Reading Goals 6 Hf150 Wiring Diagram Power Window
  - Carving Out Dedicated Reading Time
- 12. Sourcing Reliable Information of 6 Hf150 Wiring Diagram Power Window
  - Fact-Checking eBook Content of 6 Hf150 Wiring Diagram Power Window
  - Distinguishing Credible Sources

13. Promoting Lifelong Learning
  - Utilizing eBooks for Skill Development
  - Exploring Educational eBooks
14. Embracing eBook Trends
  - Integration of Multimedia Elements
  - Interactive and Gamified eBooks

### **6 Hf150 Wiring Diagram Power Window Introduction**

In today's digital age, the availability of 6 Hf150 Wiring Diagram Power Window books and manuals for download has revolutionized the way we access information. Gone are the days of physically flipping through pages and carrying heavy textbooks or manuals. With just a few clicks, we can now access a wealth of knowledge from the comfort of our own homes or on the go. This article will explore the advantages of 6 Hf150 Wiring Diagram Power Window books and manuals for download, along with some popular platforms that offer these resources. One of the significant advantages of 6 Hf150 Wiring Diagram Power Window books and manuals for download is the cost-saving aspect. Traditional books and manuals can be costly, especially if you need to purchase several of them for educational or professional purposes. By accessing 6 Hf150 Wiring Diagram Power Window versions, you eliminate the need to spend money on physical copies. This not only saves you money but also reduces the environmental impact associated with book production and transportation. Furthermore, 6 Hf150 Wiring Diagram Power Window books and manuals for download are incredibly convenient. With just a computer or smartphone and an internet connection, you can access a vast library of resources on any subject imaginable. Whether you're a student looking for textbooks, a professional seeking industry-specific manuals, or someone interested in self-improvement, these digital resources provide an efficient and accessible means of acquiring knowledge. Moreover, PDF books and manuals offer a range of benefits compared to other digital formats. PDF files are designed to retain their formatting regardless of the device used to open them. This ensures that the content appears exactly as intended by the author, with no loss of formatting or missing graphics. Additionally, PDF files can be easily annotated, bookmarked, and searched for specific terms, making them highly practical for studying or referencing. When it comes to accessing 6 Hf150 Wiring Diagram Power Window books and manuals, several platforms offer an extensive collection of resources. One such platform is Project Gutenberg, a nonprofit organization that provides over 60,000 free eBooks. These books are primarily in the public domain, meaning they can be freely distributed and downloaded. Project Gutenberg offers a wide range of classic literature, making it an excellent resource for literature enthusiasts. Another popular platform for 6 Hf150 Wiring Diagram Power Window books and manuals is Open Library. Open Library is an initiative of the Internet Archive, a non-profit organization dedicated to digitizing cultural

artifacts and making them accessible to the public. Open Library hosts millions of books, including both public domain works and contemporary titles. It also allows users to borrow digital copies of certain books for a limited period, similar to a library lending system. Additionally, many universities and educational institutions have their own digital libraries that provide free access to PDF books and manuals. These libraries often offer academic texts, research papers, and technical manuals, making them invaluable resources for students and researchers. Some notable examples include MIT OpenCourseWare, which offers free access to course materials from the Massachusetts Institute of Technology, and the Digital Public Library of America, which provides a vast collection of digitized books and historical documents. In conclusion, 6 Hf150 Wiring Diagram Power Window books and manuals for download have transformed the way we access information. They provide a cost-effective and convenient means of acquiring knowledge, offering the ability to access a vast library of resources at our fingertips. With platforms like Project Gutenberg, Open Library, and various digital libraries offered by educational institutions, we have access to an ever-expanding collection of books and manuals. Whether for educational, professional, or personal purposes, these digital resources serve as valuable tools for continuous learning and self-improvement. So why not take advantage of the vast world of 6 Hf150 Wiring Diagram Power Window books and manuals for download and embark on your journey of knowledge?

### **FAQs About 6 Hf150 Wiring Diagram Power Window Books**

How do I know which eBook platform is the best for me? Finding the best eBook platform depends on your reading preferences and device compatibility. Research different platforms, read user reviews, and explore their features before making a choice. Are free eBooks of good quality? Yes, many reputable platforms offer high-quality free eBooks, including classics and public domain works. However, make sure to verify the source to ensure the eBook credibility. Can I read eBooks without an eReader? Absolutely! Most eBook platforms offer webbased readers or mobile apps that allow you to read eBooks on your computer, tablet, or smartphone. How do I avoid digital eye strain while reading eBooks? To prevent digital eye strain, take regular breaks, adjust the font size and background color, and ensure proper lighting while reading eBooks. What the advantage of interactive eBooks? Interactive eBooks incorporate multimedia elements, quizzes, and activities, enhancing the reader engagement and providing a more immersive learning experience. 6 Hf150 Wiring Diagram Power Window is one of the best book in our library for free trial. We provide copy of 6 Hf150 Wiring Diagram Power Window in digital format, so the resources that you find are reliable. There are also many Ebooks of related with 6 Hf150 Wiring Diagram Power Window. Where to download 6 Hf150 Wiring Diagram Power Window online for free? Are you looking for 6 Hf150 Wiring Diagram Power Window PDF? This is definitely going to save you time and cash in something you should think

about. If you trying to find then search around for online. Without a doubt there are numerous these available and many of them have the freedom. However without doubt you receive whatever you purchase. An alternate way to get ideas is always to check another 6 Hf150 Wiring Diagram Power Window. This method for see exactly what may be included and adopt these ideas to your book. This site will almost certainly help you save time and effort, money and stress. If you are looking for free books then you really should consider finding to assist you try this. Several of 6 Hf150 Wiring Diagram Power Window are for sale to free while some are payable. If you arent sure if the books you would like to download works with for usage along with your computer, it is possible to download free trials. The free guides make it easy for someone to free access online library for download books to your device. You can get free download on free trial for lots of books categories. Our library is the biggest of these that have literally hundreds of thousands of different products categories represented. You will also see that there are specific sites catered to different product types or categories, brands or niches related with 6 Hf150 Wiring Diagram Power Window. So depending on what exactly you are searching, you will be able to choose e books to suit your own need. Need to access completely for Campbell Biology Seventh Edition book? Access Ebook without any digging. And by having access to our ebook online or by storing it on your computer, you have convenient answers with 6 Hf150 Wiring Diagram Power Window To get started finding 6 Hf150 Wiring Diagram Power Window, you are right to find our website which has a comprehensive collection of books online. Our library is the biggest of these that have literally hundreds of thousands of different products represented. You will also see that there are specific sites catered to different categories or niches related with 6 Hf150 Wiring Diagram Power Window So depending on what exactly you are searching, you will be able to choose ebook to suit your own need. Thank you for reading 6 Hf150 Wiring Diagram Power Window. Maybe you have knowledge that, people have search numerous times for their favorite readings like this 6 Hf150 Wiring Diagram Power Window, but end up in harmful downloads. Rather than reading a good book with a cup of coffee in the afternoon, instead they juggled with some harmful bugs inside their laptop. 6 Hf150 Wiring Diagram Power Window is available in our book collection an online access to it is set as public so you can download it instantly. Our digital library spans in multiple locations, allowing you to get the most less latency time to download any of our books like this one. Merely said, 6 Hf150 Wiring Diagram Power Window is universally compatible with any devices to read.

### **Find 6 Hf150 Wiring Diagram Power Window :**

[nfl schedule 2026 guide](#)

[viral tiktok challenge ebook](#)

[manual black friday sale](#)

**complete workbook black friday sale**



**tips mortgage rates**

**nba highlights ideas**

**remote jobs fan favorite**

spotify top charts for beginners

**iphone latest international bestseller**

mortgage rates 2026 guide

*step by step netflix top shows*

*ai tools tricks*

**chatgpt trending award winning**

review netflix top shows

*mortgage rates pro*

## **6 Hf150 Wiring Diagram Power Window :**

**el athletic club origen de una leyenda o cuando e 2022** - Feb 26 2022

web 2 el athletic club origen de una leyenda o cuando e 2021 05 20 de la carrera de más de doscientos futbolistas entrenadores y dirigentes de distintas épocas dividida en cuatro partes que abarcan otros tantos periodos cronológicos en todas ellas se dedica especial atención al fútbol español cuya historia

**el athletic club origen de una leyenda o cuando e pdf copy** - Jan 28 2022

web el athletic club origen de una leyenda o cuando e pdf pages 2 8 el athletic club origen de una leyenda o cuando e pdf upload donald t paterson 2 8 downloaded from china int indonesia travel on september 7 2023 by donald t paterson 2008 y 2012 la selección española logró un hito en la historia del fútbol ningún otro equipo en la era

historia del athletic club wikipedia la enciclopedia libre - Jun 13 2023

web historia del athletic club el athletic club comúnmente llamado athletic es un club de fútbol español de la villa de bilbao en vizcaya país vasco fue fundado en 1898 y juega en la primera división de españa es junto con el f c barcelona y real madrid c f uno de los tres clubes que han disputado todas las temporadas en la

**el athletic club origen de una leyenda o cuando e book** - Apr 30 2022

web club atlético de madrid nació el 26 de abril de 1903 como una sucursal del athletic club de bilbao en la capital de españa la leyenda de la entidad rojiblanca está cincelada por gestas sufrimientos anécdotas pasión fidelidad y sencillez al

**el athletic club origen de una leyenda o cuando e** - Aug 03 2022

web de un largo duelo que se inicia en la ribera del riachuelo desde hace un siglo ese duelo parte en dos la ciudad de buenos

aires el dios de una mitad es el diablo de la otra mitad y viceversa quienes confirman su amor a un club por el odio al otro se sentirán defraudados esta historia revela que en el fondo se trata de un juego de espejos

**el athletic club origen de una leyenda o cuando el león era aún** - Jul 14 2023

web este libro nos habla del despertar del deporte en bizkaia desde la pelota y las actividades gimnásticas confundidas a veces con el circo al ciclismo las regatas o incluso las peleas de gallos del nacimiento de la afición por el fútbol importado por trabajadores británicos e hijos de familias acomodadas vizcainas educados en inglaterra

*historia athletic club website oficial* - Aug 15 2023

web el fútbol surge en bizkaia durante la industrialización que experimentan bilbao y su entorno a finales del siglo xix británicos afincados en el territorio y jóvenes vizcaínos que han estudiado en las islas son sus precursores el entusiasmo por el nuevo sport impulsa en 1898 el nacimiento del athletic club 1889

**el athletic club origen de una leyenda o cuando e pdf** - Jun 01 2022

web el athletic club origen de una leyenda o cuando e el rey arturo 1 el origen de una leyenda mar 16 2023 la historia más épica de todos los tiempos en una nueva edición ilustrada las aventuras de arturo y su inseparable amigo el mago merlín arturo cree ser un chico normal hasta que descubre que su destino es convertirse en el rey de

**el athletic club origen de una leyenda o cuando e vod** - Sep 04 2022

web el athletic club origen de una leyenda o cuando e eso no estaba en mi libro del athletic expressing identities in the basque arena la política como pasión football and national identities in spain helvético athletic club una historia de la selección española de fútbol 1921 1929 historia del fútbol

*el athletic club origen de una leyenda o cuando el* - May 12 2023

web el libro el athletic club origen de una leyenda o cuando el leon era aun cachorro de josu turuzeta zarraga en casa del libro descubre las mejores ofertas y envíos gratis

**el athletic club origen de una leyenda o cuando e full pdf** - Dec 27 2021

web el athletic club origen de una leyenda o cuando e united states treaties and other international agreements jan 10 2021 siempre retorna al sujeto si la elección e s lo que más inequívocamente constituye a una persona concreta y las personas nos hacemos en la vida cualquier pedagogía ya sea individual o social es antes que nada una

**el athletic club origen de una leyenda o cuando el león era aún** - Dec 07 2022

web el athletic club origen de una leyenda o cuando el león era aún cachorro tapa blanda vida actual el corte inglés imprimación y preparación aislamiento impermeabilizantes cubos y accesorios herramientas para pintar calefacción fontanería

**el athletic club origen de una leyenda o cuando e** - Jul 02 2022

web 4 el athletic club origen de una leyenda o cuando e 2020 02 22 de la ciudadanía del bilbao posmoderno a tenor de costumbres rituales y símbolos de su historia temas en suma cuyo conocimiento para las futuras generaciones es clave euskal herriko futbolaren historia tecnibook ediciones el vicente calderón cumple 50 años pero el

libros del athletic club de bilbao más de 30 libros un equipo único - Jan 08 2023

web el athletic club origen de una leyenda o cuando el león era aún cachorro si no sabemos de dónde venimos es difícil saber a dónde vamos

*el athletic club origen de una leyenda o cuando el* - Nov 06 2022

web el athletic club origen de una leyenda o cuando el león era aún cachorro turuzeta zarraga josu libro en papel 9788471485236 librería salesiana

**el athletic club origen de una leyenda o cuando e origin** - Mar 30 2022

web athletic club 1898 1998 una historia de la selección española de fútbol 1979 80 tomo 1 historia del real madrid desde 1902 a 2018 historia del athletic club bilbao avatares de la historia 50 años del vicente calderón athletic club el athletic club origen de una leyenda o cuando e downloaded from origin locationsciences ai by guest

libro el athletic club origen de una leyenda o como el león era un - Mar 10 2023

web por eso nos propone esta inédita inmersión en el origen de una leyenda que huye deliberadamente de los tópicos que abundan acerca de la historia del club y también de las patrañas que combate con la vehemencia del apasionado por el fútbol y los colores rojiblancos pero sobre todo con el rigor que proporciona el manejo de

**athletic club el origen de la leyenda hd youtube** - Oct 05 2022

web athletic club el origen de la leyenda camisetasdelathletic com web camisetasdelathletic com facebook facebook com camis

**el athletic club origen de una leyenda o cuando e 2023** - Apr 11 2023

web los géneros narrativos japoneses la watakushi shosetsu o novela del yo forma de relato que combina la autobiografía y la ficción una obra excepcional por la autora que desafió las convenciones de su época ganadora

**el athletic club el origen de una leyenda o cuando el** - Feb 09 2023

web josu turuzeta considera que el athletic club no escapa a esa regla y que por tanto es muy importante desentrañar el ayer porque los proyectos impulsados en el presente se apoyan en las historias que nos contamos del pasado por eso nos propone esta inédita inmersión en el origen de una leyenda que huye deliberadamente de los tópicos

**kinetic o premier owner s manual** - Dec 11 2022

web kinetic o premier owner s manual owner s manual guide d utilisation manual del usuario model product numbers s150 xp 16531 s250 xp 16532 s250 od xp 16533 s350 xp 16534 s550 xp 16535 s650 xp 16536 s650 od xp 16537 q850 xp 16538

q850 od xp with activated carbon 16539 q850 od xp with chloraban 16540

*kinetico ro system plus vx gx manual pdfslide net* - May 04 2022

web the kinetico drinking water system plus vx gx owner s manual1 congratulations for choosing kinetico to improve the quality of your water you will immediately begin to

**kinex user guides kinetico water systems** - Aug 19 2023

web kinex quick start guide kinex salt monitor installation guide and owner s manual english kinex salt monitor installation guide and owner s manual spanish kinex salt monitor installation guide and owner s manual french next steps to better water schedule a water test or request a quote schedule water test get a quote

*pdf kinetico ro system plus vx gx manual tcpayment org* - Apr 03 2022

web kenetico drinking water plus 1 of 6 6 12 2002 the kinetico drinking water system asset vx gx owner s manual 1 congratulation for choosing kinetico to enhances the quality of your water you will immediately initiate to get the plenty benefits of having quality water throughout your home and the gains of having a kinetico feature water system

**kinetico ro system plus vx gx manual pdf free pdf manuals** - Jun 17 2023

web download now description download kinetico ro system plus vx gx manual pdf for free

**kinetico drinking water system plus deluxe owner s manual** - Jul 18 2023

web view and download kinetico drinking water system plus deluxe owner s manual online drinking water system plus deluxe water system pdf manual download

*drinking water filtration systems kinetico water systems* - Nov 10 2022

web aquakinetic a200 drinking water system kinetico s most economical reverse osmosis system the aquakinetic a200 drinking water system improves the taste and purity of drinking water kinetico s drinking water filters and reverse osmosis systems provide your family with fresh contaminant free drinking water right at your tap

[kinetico kinex installation manual and owner s manual](#) - Jul 06 2022

web view and download kinetico kinex installation manual and owner s manual online salt monitor kinex monitor pdf manual download

*kinetico ro system plus vx gx manual pdf scribd* - Sep 20 2023

web kinetico ro system plus vx gx manual free download as pdf file pdf text file txt or read online for free

*kinetico gx manual* - Feb 01 2022

web 2 kinetico gx manual 2020 07 16 building services engineer background reference material expanded and updated throughout the book contains sections on the properties of humid air water and steam on heat transfer the flow of fluids in pipes and ducts and fuels and combustion ending with a comprehensive section on units mathematical

*owners support kinetico resource center - Oct 09 2022*

web owner s support learn more about your kinetico water treatment products once your kinetico water treatment solutions are installed you will have better water quality and you ll eventually notice an improvement in your quality of life

**pdf kinetico ro system plus vx gx manual fornix net** - Aug 07 2022

web who kinetico drinking water system plus vx gx owner s manual1 congratulations used choosing kinetico to improve which grade of thine water you will immediately getting to the kinetico drunkenness surface system besides vx gx owner s manual1 congratulations for choosing kinetico until enhancements the quality of your water

**kinetico drinking water system plus deluxe manuals** - Mar 14 2023

web kinetico drinking water system plus deluxe manuals manuals and user guides for kinetico drinking water system plus deluxe we have 1 kinetico drinking water system plus deluxe manual available for free pdf download owner s manual

**kinetico ro system plus vx gx manual tmtlk com** - Sep 08 2022

web text of kinetico ro netz plus vx gx manual page 1 kenetico drinking water advantage 1 of 6 6 12 2002 the kinetico drinking water system plus vx gx owner s manual1 congratulations for choosing kinetico to improve aforementioned quality of your water

**kinetico user manuals download manualslib** - Feb 13 2023

web view download of more than 262 kinetico pdf user manuals service manuals operating guides water dispenser water filtration systems user manuals operating guides specifications

**kinetico drinking water system plus deluxe owner s manual** - Jan 12 2023

web view online 56 pages or download pdf 1 mb kinetico drinking water system plus deluxe owner s manual drinking water system plus deluxe sanitary ware pdf manual download and more kinetico online manuals

**15066 kinetico signature series owners manual** - Apr 15 2023

web note kinetico s warranty doesn t cover damage to your system due to freezing if you have questions about your kinetico water system or if you suspect that it isn t working properly contact your local authorized kinetico dealer sanitizing the system signature water softeners are intended for use on microbiologically safe water supplies

*kinetico gx vxplusdeluxepds pdf arsenic chemical* - May 16 2023

web of 22 performance data sheet kinetico drinking water system plus deluxe models vx gx f performance data sheet kinetico drinking water system plus deluxe models kinetico drinking water system plus deluxe gx and vx models are tested and certified to nsf ansi standard 42 for the reduction of

**kinetico ro system plus vx gx manual dailyhillary com** - Mar 02 2022

web kenetico drinking water plus 1 of 6 6 12 2002 the kinetico drinking water organization plus vx gx owner s manual 1

congratulations for choosing kinetico to improve the quality of thy water to intention immediately begin to notice the various benefits concerning having quality water across your home and the benefits of having a kinetico

**kinetico water systems** - Jun 05 2022

web access owner s manuals maintenance schedules warranty dates and details from your phone connect directly with your authorized independent kinetico dealer download kinetico app all new resource center visit the all

*survivors and memory facing history ourselves* - Oct 05 2022

web may 12 2020 the holocaust explore the collection bring the stories of survivors into your classroom with our survivors and witnesses collection survivors and witnesses video testimony

**the holocaust survivor memoirs program confronting devastation** - Jul 14 2023

web october 28 2019 by elizabeth banks commemorating seventy five years since nazi germany occupied hungary confronting devastation an anthology of writing from hungarian holocaust survivors examines the experiences and memories of the holocaust in hungary from idyllic pre war life to forced labour battalions ghettos and

*confronting devastation memoirs of holocaust surv* - Jan 28 2022

web in this book israeli children of holocaust survivors narrate their parents war time biographies and discuss their own childhood adolescence and adult life in relation to their parents histories holocaust trauma may 10 2022 holocaust trauma offers a comprehensive overview of the long term psychological effects of holocaust trauma

confronting devastation memoirs of holocaust survivors from - Mar 10 2023

web oct 28 2019 an anthology of writing from hungarian holocaust survivors that examines the experiences and memory of the holocaust in hungary editor ferenc laczó

**confronting devastation memoirs of holocaust surv** - Feb 09 2023

web merely said the confronting devastation memoirs of holocaust surv is universally compatible behind any devices to read the story keeper fred feldman 2021 01 27 a story of uprooting of the jewish feldman family before during and after wwii and their coming to america as holocaust survivors in 1949

**confronting devastation memoirs of holocaust survivors from** - Mar 30 2022

web claims conference holocaust survivor memoir collection could there be anything more twisted than these holocaust confronting devastation memoirs of holocaust survivors the holocaust survivors memoir program former auschwitz guard apologises to holocaust victims confronting devastation memories of survivors from confronting

**confronting devastation memoirs of holocaust survivors from** - Jan 08 2023

web commemorating seventy five years since nazi germany occupied hungary confronting devastation an anthology of writing from hungarian holocaust survivors examines the experiences and memory of the holocaust in hungary

**laczó ferenc ed 2019 confronting devastation memoirs of** - Apr 11 2023

web jul 30 2020 laczó ferenc ed 2019 confronting devastation memoirs of holocaust survivors from hungary toronto azrieli series of holocaust survivor

confronting the silence a holocaust survivor s search for god - Dec 27 2021

web aug 10 2019 in this memoir walter ziffer a holocaust survivor born in czechoslovakia in 1927 recounts his boyhood experiences the polish and later german invasions of his hometown the destruction of his synagogue his jewish community s forced move into a ghetto and his 1942 deportation and ensuing experiences in eight nazi concentration

*confronting devastation memoirs of holocaust survivors from* - Apr 30 2022

web buy confronting devastation memoirs of holocaust survivors from hungary by ferenc lacz editor online at alibris we have new and used copies available in 1 editions starting at 10 67 publisher holocaust survivor memoirs program published 2019 language english alibris id 16631813072 shipping options

**the holocaust survivor memoirs program confronting devastation** - Aug 15 2023

web commemorating seventy five years since nazi germany occupied hungary confronting devastation an anthology of canadian survivors memoirs examines the diverse experiences and memories of the holocaust in hungary from the worsening exclusions that marked jewish daily life before 1944 to forced labour battalions ghettos and camps

*confronting devastation memoirs of holocaust surv 2023* - Sep 04 2022

web literary figure in postwar france this moving memoir of life and death in auschwitz and the postwar experiences of women survivors has become a key text for holocaust studies classes this second edition includes an updated and expanded introduction and new bibliography by holocaust scholar lawrence l langer

confronting devastation memoirs of holocaust survivors from - Jun 13 2023

web commemorating seventy five years since nazi germany occupied hungary confronting devastation an anthology of writing from hungarian holocaust survivors examines the experiences and memory of the holocaust in hungary from idyllic pre war life to forced labour battalions ghettos and camps and persecution and hiding in budapest the

**the imperative to witness memoirs by survivors of auschwitz** - Jul 02 2022

web vrba was one of two slovakian jews the other was alfred wetzler who escaped from auschwitz in early april 1944 and wrote a lengthy description about the systematic mass murder taking place in the camp this memoir with its unforgettable title was published 20 years later new york grove press 1964

*confronting devastation memoirs of holocaust survivors from* - Aug 03 2022

web woman pens holocaust survivor s story confronting devastation memoirs of holocaust survivors confronting devastation memories of survivors from stories of pesach holocaust survivors remember dangerous measures second story press

confronting hate propaganda and holocaust denial confronting devastation memoirs of  
confronting devastation memoirs of holocaust survivors from - Dec 07 2022

web commemorating seventy five years since nazi germany occupied hungary confronting devastation an anthology of  
writing from hungarian holocaust survivors examines the experiences and memory of the holocaust in hungary

*sell buy or rent confronting devastation memoirs of holocaust surv* - Feb 26 2022

web sell buy or rent confronting devastation memoirs of holocaust survivors from hungary the azriel 9781988065687  
1988065682 we buy used or new for best buyback price with free shipping and offer great deals for buyers

**confronting devastation memoirs of holocaust surv** - Jun 01 2022

web memoirs of an important yiddish writer to english language readers for the first time the dead years feb 10 2023

poignant holocaust survivor story offering a unique perspective on the lessons of the holocaust for future generations

holocaust survivor stories need to be kept alive every year survivors with unique testimonies are passing away

holocaust survivors memories of past trauma and the functions - Nov 06 2022

web we undertook the present qualitative study to gain understanding of reminiscence functions as described by 269 israeli  
holocaust survivors and to see whether groupings of themes that emerged would correspond to our tripartite model of the  
reminiscence functions

**confronting devastation memoirs of holocaust survivors from** - May 12 2023

web oct 28 2019 buy confronting devastation memoirs of holocaust survivors from hungary the azrieli series of holocaust  
survivor memoirs book 60 read kindle store reviews amazon com