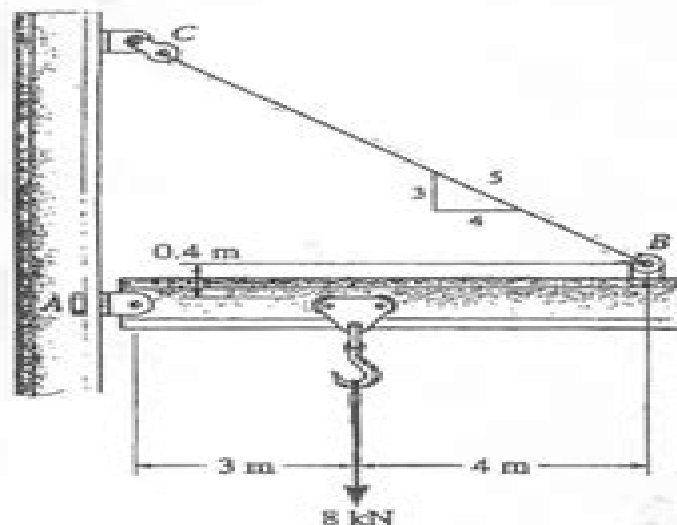


General Instructions

1. Closed books and closed notes. A one side A4 size formula sheet is allowed.
2. Write all your solutions in the space provided. Using back of the sheets is ok but you need clearly indicated on the front sheets.
3. You must draw a FBD for all the equilibrium problems. Make the diagrams and sketches as clear as possible, and show your derivations clearly. Incomplete solutions will receive only partial credit even if the answer is correct. Present your results in three significant digits with proper units; box your final results.

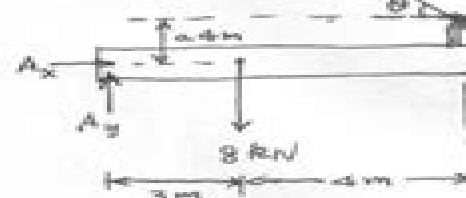
Problem 1 (20 points): A jib crane AB is shown below. It is pin-connected at A and supported by a cable BC. Neglect its weight. Find the reaction force at A and the cable tension.



Knowns: pin support at A;
BC is a cable; neglect the ^{beam} weight.

Find: reaction force at A: A_x, A_y ;
cable tension, T .

FBD of the beam AB: $\tan \theta = \frac{3}{4}$



Eqs of Equilibrium:

$$(\sum) \Sigma M_A = 0: (T \cos \theta)(0.4m) + (T \sin \theta)(7m) - (8 \text{ kN})(3m) = 0$$

Hence, $T \left(\frac{3}{4}\right)(0.4m) + T \left(\frac{3}{4}\right)(7m) = 24 \text{ kN}\cdot\text{m}$

$$\boxed{T = 5.31 \text{ kN}}$$

Also, $(\rightarrow) \Sigma F_x = 0: A_x - T \left(\frac{3}{4}\right) = 0, A_x = \frac{3}{4} T = \boxed{4.25 \text{ kN} = A_x}$

$(\uparrow) \Sigma F_y = 0: A_y - 8 \text{ kN} + T \left(\frac{3}{4}\right) = 0, A_y = 8 \text{ kN} - \frac{3}{4}(5.31) = \boxed{4.81 \text{ kN} = A_y}$

Answers For Statics Plato

Plato



Answers For Statics Plato:

The Enigmatic Realm of **Answers For Statics Plato**: Unleashing the Language is Inner Magic

In a fast-paced digital era where connections and knowledge intertwine, the enigmatic realm of language reveals its inherent magic. Its capacity to stir emotions, ignite contemplation, and catalyze profound transformations is nothing lacking extraordinary. Within the captivating pages of **Answers For Statics Plato** a literary masterpiece penned by way of a renowned author, readers embark on a transformative journey, unlocking the secrets and untapped potential embedded within each word. In this evaluation, we shall explore the book's core themes, assess its distinct writing style, and delve into its lasting impact on the hearts and minds of people who partake in its reading experience.

<https://legacy.tortoisemedia.com/data/virtual-library/index.jsp/accounting%20clerk%20pre%20employment%20exam.pdf>

Table of Contents Answers For Statics Plato

1. Understanding the eBook Answers For Statics Plato
 - The Rise of Digital Reading Answers For Statics Plato
 - Advantages of eBooks Over Traditional Books
2. Identifying Answers For Statics Plato
 - Exploring Different Genres
 - Considering Fiction vs. Non-Fiction
 - Determining Your Reading Goals
3. Choosing the Right eBook Platform
 - Popular eBook Platforms
 - Features to Look for in an Answers For Statics Plato
 - User-Friendly Interface
4. Exploring eBook Recommendations from Answers For Statics Plato
 - Personalized Recommendations
 - Answers For Statics Plato User Reviews and Ratings
 - Answers For Statics Plato and Bestseller Lists

5. Accessing Answers For Statics Plato Free and Paid eBooks
 - Answers For Statics Plato Public Domain eBooks
 - Answers For Statics Plato eBook Subscription Services
 - Answers For Statics Plato Budget-Friendly Options
6. Navigating Answers For Statics Plato eBook Formats
 - ePub, PDF, MOBI, and More
 - Answers For Statics Plato Compatibility with Devices
 - Answers For Statics Plato Enhanced eBook Features
7. Enhancing Your Reading Experience
 - Adjustable Fonts and Text Sizes of Answers For Statics Plato
 - Highlighting and Note-Taking Answers For Statics Plato
 - Interactive Elements Answers For Statics Plato
8. Staying Engaged with Answers For Statics Plato
 - Joining Online Reading Communities
 - Participating in Virtual Book Clubs
 - Following Authors and Publishers Answers For Statics Plato
9. Balancing eBooks and Physical Books Answers For Statics Plato
 - Benefits of a Digital Library
 - Creating a Diverse Reading Collection Answers For Statics Plato
10. Overcoming Reading Challenges
 - Dealing with Digital Eye Strain
 - Minimizing Distractions
 - Managing Screen Time
11. Cultivating a Reading Routine Answers For Statics Plato
 - Setting Reading Goals Answers For Statics Plato
 - Carving Out Dedicated Reading Time
12. Sourcing Reliable Information of Answers For Statics Plato
 - Fact-Checking eBook Content of Answers For Statics Plato
 - Distinguishing Credible Sources
13. Promoting Lifelong Learning

- Utilizing eBooks for Skill Development
 - Exploring Educational eBooks
14. Embracing eBook Trends
- Integration of Multimedia Elements
 - Interactive and Gamified eBooks

Answers For Statics Plato Introduction

In the digital age, access to information has become easier than ever before. The ability to download Answers For Statics Plato has revolutionized the way we consume written content. Whether you are a student looking for course material, an avid reader searching for your next favorite book, or a professional seeking research papers, the option to download Answers For Statics Plato has opened up a world of possibilities. Downloading Answers For Statics Plato provides numerous advantages over physical copies of books and documents. Firstly, it is incredibly convenient. Gone are the days of carrying around heavy textbooks or bulky folders filled with papers. With the click of a button, you can gain immediate access to valuable resources on any device. This convenience allows for efficient studying, researching, and reading on the go. Moreover, the cost-effective nature of downloading Answers For Statics Plato has democratized knowledge. Traditional books and academic journals can be expensive, making it difficult for individuals with limited financial resources to access information. By offering free PDF downloads, publishers and authors are enabling a wider audience to benefit from their work. This inclusivity promotes equal opportunities for learning and personal growth. There are numerous websites and platforms where individuals can download Answers For Statics Plato. These websites range from academic databases offering research papers and journals to online libraries with an expansive collection of books from various genres. Many authors and publishers also upload their work to specific websites, granting readers access to their content without any charge. These platforms not only provide access to existing literature but also serve as an excellent platform for undiscovered authors to share their work with the world. However, it is essential to be cautious while downloading Answers For Statics Plato. Some websites may offer pirated or illegally obtained copies of copyrighted material. Engaging in such activities not only violates copyright laws but also undermines the efforts of authors, publishers, and researchers. To ensure ethical downloading, it is advisable to utilize reputable websites that prioritize the legal distribution of content. When downloading Answers For Statics Plato, users should also consider the potential security risks associated with online platforms. Malicious actors may exploit vulnerabilities in unprotected websites to distribute malware or steal personal information. To protect themselves, individuals should ensure their devices have reliable antivirus software installed and validate the legitimacy of the websites they are downloading from. In conclusion, the ability to download Answers For Statics Plato has transformed the way we

access information. With the convenience, cost-effectiveness, and accessibility it offers, free PDF downloads have become a popular choice for students, researchers, and book lovers worldwide. However, it is crucial to engage in ethical downloading practices and prioritize personal security when utilizing online platforms. By doing so, individuals can make the most of the vast array of free PDF resources available and embark on a journey of continuous learning and intellectual growth.

FAQs About Answers For Statics Plato Books

How do I know which eBook platform is the best for me? Finding the best eBook platform depends on your reading preferences and device compatibility. Research different platforms, read user reviews, and explore their features before making a choice. Are free eBooks of good quality? Yes, many reputable platforms offer high-quality free eBooks, including classics and public domain works. However, make sure to verify the source to ensure the eBook credibility. Can I read eBooks without an eReader? Absolutely! Most eBook platforms offer webbased readers or mobile apps that allow you to read eBooks on your computer, tablet, or smartphone. How do I avoid digital eye strain while reading eBooks? To prevent digital eye strain, take regular breaks, adjust the font size and background color, and ensure proper lighting while reading eBooks. What the advantage of interactive eBooks? Interactive eBooks incorporate multimedia elements, quizzes, and activities, enhancing the reader engagement and providing a more immersive learning experience. Answers For Statics Plato is one of the best book in our library for free trial. We provide copy of Answers For Statics Plato in digital format, so the resources that you find are reliable. There are also many Ebooks of related with Answers For Statics Plato. Where to download Answers For Statics Plato online for free? Are you looking for Answers For Statics Plato PDF? This is definitely going to save you time and cash in something you should think about. If you trying to find then search around for online. Without a doubt there are numerous these available and many of them have the freedom. However without doubt you receive whatever you purchase. An alternate way to get ideas is always to check another Answers For Statics Plato. This method for see exactly what may be included and adopt these ideas to your book. This site will almost certainly help you save time and effort, money and stress. If you are looking for free books then you really should consider finding to assist you try this. Several of Answers For Statics Plato are for sale to free while some are payable. If you arent sure if the books you would like to download works with for usage along with your computer, it is possible to download free trials. The free guides make it easy for someone to free access online library for download books to your device. You can get free download on free trial for lots of books categories. Our library is the biggest of these that have literally hundreds of thousands of different products categories represented. You will also see that there are specific sites catered to different product types or categories, brands or niches related with Answers For Statics Plato. So depending on what exactly you are searching, you will be able to choose e books to suit your

own need. Need to access completely for Campbell Biology Seventh Edition book? Access Ebook without any digging. And by having access to our ebook online or by storing it on your computer, you have convenient answers with Answers For Statics Plato To get started finding Answers For Statics Plato, you are right to find our website which has a comprehensive collection of books online. Our library is the biggest of these that have literally hundreds of thousands of different products represented. You will also see that there are specific sites catered to different categories or niches related with Answers For Statics Plato So depending on what exactly you are searching, you will be able to choose ebook to suit your own need. Thank you for reading Answers For Statics Plato. Maybe you have knowledge that, people have search numerous times for their favorite readings like this Answers For Statics Plato, but end up in harmful downloads. Rather than reading a good book with a cup of coffee in the afternoon, instead they juggled with some harmful bugs inside their laptop. Answers For Statics Plato is available in our book collection an online access to it is set as public so you can download it instantly. Our digital library spans in multiple locations, allowing you to get the most less latency time to download any of our books like this one. Merely said, Answers For Statics Plato is universally compatible with any devices to read.

Find Answers For Statics Plato :

accounting clerk pre employment exam

accord epabx ax3manual

accounting concepts and applications 11th edition answers

access chapter 3 answers

[accounting definition of gross revenue](#)

accounting paper june 2013 1 9706

accent 2000 2005 service repair manual

[accounting grade 10 november 2014](#)

accounting coach cheat sheet

accounting grade 10 exemplar november 2014

[accounting information systems 8e gelinas solution manual](#)

accounting microsoft excel tutorial

accounting clerk test study guide

accounting exemplar of 2014 november for grade 10

accounting november grade 2013 question paper

Answers For Statics Plato :

edexcel as a level practical chemistry student guide stem - Nov 28 2022

web edexcel as a level practical chemistry student guide ensure your students get to grips with the core practicals and develop the skills needed to succeed with an in depth assessment driven approach that builds and reinforces understanding clear summaries of practical work with sample questions and answers help to improve exam technique in

edexcel a level chemistry student guide practical chemistry - Dec 30 2022

web jun 5 2017 exam board edexcel level a level subject chemistry first teaching september 2015 first exam june 2016 ensure your students get to grips with the core practicals and develop the skills needed to succeed with an in depth assessm [preparing for practical work pearson qualifications](#) - Oct 08 2023

web a levels chemistry 2015 preparing for practical work to make sure our courses help your students become capable and confident scientists we ve put practical work at the heart of our as and a level chemistry specifications

[edexcel a level chemistry student guide practical chemistry google play](#) - Jun 04 2023

web edexcel a level chemistry student guide practical chemistry ebook written by david scott read this book using google play books app on your pc android ios devices download for offline reading highlight bookmark or take notes while you read edexcel a level chemistry student guide practical chemistry

[edexcel a level chemistry student guide practical chemistry](#) - Jan 31 2023

web written by experienced teacher and author david scott this student guide for practical chemistry help students easily identify what they need to know with a concise summary of required practical work examined in the a level specifications

edexcel as and a level chemistry 2015 pearson qualifications - Oct 28 2022

web zip 1 sort by specification and sample assessments 4 expand all specification erratum notice sample assessment material specimen paper and mark scheme information about the new edexcel as and a levels in chemistry 2015 for students and teachers including the draft specification and other key documents

[as and a level chemistry pearson qualifications](#) - Apr 02 2023

web over the two years of your a level course your teacher will assess your competence as a practical chemist by letting you carry out core practicals at the end of the course your teacher will list some of the practical work you have carried out and decide if you have passed as a competent practical chemist

edexcel a level chemistry student guide practical waterstones - Aug 26 2022

web mar 31 2017 number of pages 96 weight 200 g dimensions 244 x 188 x 8 mm buy edexcel a level chemistry student guide practical chemistry by david scott from waterstones today click and collect from your local waterstones or get free uk delivery on orders over 25

edexcel a level chemistry student guide practical chemistry - Jul 05 2023

web buy edexcel a level chemistry student guide practical chemistry by scott david isbn 9781471885679 from amazon s book store everyday low prices and free delivery on eligible orders

edexcel a level chemistry student guide practical chemistry - Sep 26 2022

web written by experienced teacher and author david scott this student guide for practical chemistry help students easily identify what they need to know with a concise summary of required practical work examined in the a level specifications

edexcel a level chemistry student guide practical chemistry 1471885674 - Jul 25 2022

web this means students working scientifically developing competence in manipulating quantities and their units including making estimates experiencing a wide variety of practical work developing practical and investigative skills by planning carrying out and evaluating experiments and becoming knowledgeable about the ways in which

edexcel a level chemistry student guide practical chemistry - May 23 2022

web mar 31 2017 exam board edexcel level a level subject chemistry first teaching september 2015 first exam june 2017 ensure your students get to grips with the core practicals and develop the skills needed to succeed with an in depth assessment driven approach that builds and reinforces understanding clear summaries of practical work

a level chemistry pearson qualifications - Mar 01 2023

web the aims and objectives of the pearson edexcel level 3 advanced gce in chemistry are to enable students to develop essential knowledge and understanding of different areas of the subject and how they relate to each other a deep appreciation of the skills knowledge and understanding of scientific methods competence and confidence

edexcel a level chemistry student guide practical chemistry - Sep 07 2023

web edexcel a level chemistry student guide practical chemistry anna s archive english en pdf 2 2mb edexcel a level chemistry student guide practical chemistry pdf edexcel a level chemistry student guide practical

practical guide edexcel chemrevise - Aug 06 2023

web practical guide edexcel this guide includes details about the core practicals for a level chemistry it also contains information about other experiments that often occur in a level examinations you may be asked to describe these experiments in details or be asked about reasons for doing individual steps

teaching and learning pearson qualifications - Feb 17 2022

web teaching and learning the tools and resources available for as and a level chemistry will support you as you deliver the courses and help students develop a deeper understanding of the subject and overcome potential barriers to learning

revise edexcel as a level chemistry revision guide - Apr 21 2022

web revise edexcel as a level chemistry revision guide samples pdf 7 97 mb designed for hassle free classroom and

independent study our revision guides are designed to complement the student books with a range of specially designed features such as the one topic per page format practice questions knowledge checks and skills checks

edexcel as and a level chemistry 2015 pearson qualifications - May 03 2023

web international primary curriculum 1 qualification nvq and competence based qualifications 2 qualifications information about the new edexcel as and a levels in chemistry 2015 for students and teachers including the draft specification and other key documents

edexcel a level chemistry student guide practical chemistry - Mar 21 2022

web amazon in buy edexcel a level chemistry student guide practical chemistry book online at best prices in india on amazon in read edexcel a level chemistry student guide practical chemistry book reviews author details and more at amazon in free delivery on qualified orders

support for the practical endorsement at a level - Jun 23 2022

web support for the practical endorsement at a level 25 february 2016 as part of our on going support for the new practical endorsement in a level biology chemistry and physics we re pleased to announce the release of further training materials to support you with applying cpac

elementary analysis the theory of calculus springerlink - Feb 27 2023

web the theory of calculus home textbook authors kenneth a ross revised and updated second edition with new material text for a transition course between calculus and more advanced analysis courses

solution manual to elementary analysis 2 ed by kenneth a ross - Jan 29 2023

web solution manual to elementary analysis 2nd ed by kenneth a ross david buch december 18 2018 contents basic properties of the derivative the mean value theorem 7 iii 2 the mean value theorem 29 1 x 1 2 x 2 not di erentiable at x 0 not p continuous or di erentiable at x 0 x 3 f not continuous or di erentiable at 0

elementary analysis the theory of calculus pdf - Nov 26 2022

web elementary analysis the theory of calculus free pdf download kenneth a ross 422 pages year 2013 basic calculus read online pdf room

mat 125a real analysis uc davis - Sep 24 2022

web we will ise elementary analysis by kenneth ross it is available for free online from the uc davis library system we will also use elementary real analysis by thomas bruckner and bruckner

elementary analysis piazza - Sep 05 2023

web elementary analysis kenneth a ross the theory of calculus second edition also serve as a foundation for an in depth study of real analysis giveninbookssuchas 4 33 34 53 62 65 listedinthebibliography solution ournthpropositionis p n 1 2

[elementary analysis by kenneth a ross z library](#) - Apr 19 2022

web discover elementary analysis book written by kenneth a ross explore elementary analysis in z library and find free summary reviews read online quotes related books ebook resources

[elementary analysis the theory of calculus academia edu](#) - Dec 28 2022

web kenneth a ross in collaboration with jorge m l opez university of puerto rico r 10 piedras preface to the first edition a study of this book and especially the exercises should give the reader a thorough understanding of a few basic concepts in analysis such as continuity convergence of sequences and series of numbers and convergence

solutions for elementary analysis the theory of calculus by kenneth ross - Mar 31 2023

web solutions for elementary analysis the theory of calculus by kenneth ross free download as pdf file pdf text file txt or read online for free got this online not my work

elementary analysis kenneth a ross free download borrow - Jun 02 2023

web apr 10 2020 kenneth a ross topics real analysis maths collection opensource language english an awesome book written by kenneth ross on real analysis a nice book for beginners

elementary analysis the theory of calculus ross kenneth a - Jun 21 2022

web elementary analysis the theory of calculus by ross kenneth a publication date 2013 topics calculus publisher new york springer collection inlibrary printdisabled internetarchivebooks contributor internet archive language english xi 409 pages 25 cm includes bibliographical references pages 397 401 and indexes

[elementary analysis 2nd edition textbook solutions chegg com](#) - Jul 03 2023

web chapter ch1 problem 1e step by step solution step 1 of 3 consider the following statement the objective is to prove this statement for all positive integers n by the principle of mathematical induction the n th proposition is step 2 of 3 first show that the basis for induction is true the 1st proposition asserts

[ross elementary analysis solutions pdf compact space](#) - Aug 04 2023

web ross elementary analysis solutions free download as pdf file pdf text file txt or read online for free kenneth ross elementary real analysis intro to complex analysis solutions student manual yellow real numbers complex numbers lebesgue integral

elementary analysis the theory of calculus google books - Feb 15 2022

web nov 10 2010 a limited number of concepts involving the real line and functions on the real line are studied many abstract ideas such as metric spaces and ordered systems are avoided the least upper bound property is taken as an axiom and the order properties of the real line are exploited throughout

[solutions for elementary analysis the theory of calculus by kenneth](#) - May 01 2023

web step by step video answers explanations by expert educators for all elementary analysis the theory of calculus by kenneth a ross only on numerade com

elementary analysis the theory of calculus springerlink - Oct 26 2022

web a limited number of concepts involving the real line and functions on the real line are studied many abstract ideas such as metric spaces and ordered systems are avoided the least upper bound property is taken as an axiom and the order properties of the real line are exploited throughout

elementary analysis by kenneth a ross open library - Jul 23 2022

web aug 24 2020 elementary analysis edit for over three decades this best selling classic has been used by thousands of students in the united states and abroad as a must have textbook for a transitional course from calculus to analysis

elementary analysis the theory of calculus anna s archive - Mar 19 2022

web kenneth a ross designed for students having no previous experience with rigorous proofs this text can be used immediately after standard calculus courses it is highly recommended for anyone planning to study advanced analysis as well as for future secondary school teachers

elementary analysis the theory of calculus google books - May 21 2022

web apr 16 2013 kenneth a ross springer science business media apr 16 2013 mathematics 412 pages for over three decades this best selling classic has been used by thousands of students in the united states and abroad as a must have textbook for a transitional course from calculus to analysis

elementary analysis the theory of calculus 2nd edition solutions - Oct 06 2023

web elementary analysis the theory of calculus 2nd edition solutions and answers quizlet math calculus elementary analysis the theory of calculus 2nd edition isbn 9781461462705 kenneth a ross textbook solutions verified chapter 1 introduction section 1 the set of n of natural numbers section 2 the set q of rational numbers

elementary analysis the theory of calculus google books - Aug 24 2022

web a limited number of concepts involving the real line and functions on the real line are studied many abstract ideas such as metric spaces and ordered systems are avoided the least upper bound property is taken as an axiom and the order properties of the real line are exploited throughout

geschichte der landwirtschaft traktoren planet wissen - Jun 14 2023

web der traktor hat die landwirtschaft revolutioniert er löste die tierischen helfer ab denn er war nicht nur stärker und wendiger sondern auch kostengünstiger und pflegeleichter ein traktor kostet eben nur wenn er arbeitet in der zeit dazwischen ist er genügsam

deutsche traktoren daten fakten geschichte by karl andresen - May 01 2022

web jun 14 2023 deutsche traktoren daten fakten geschichte von karl andresen 9 99 eur in den warenkorb isbn ean 9783961282685 alter 12 99 jahre format 21 5 x 27 cm seiten marken geschichte und modelle deutsche traktoren von 1915 bis heute übersichtlich gegliedert nach dekaden jedes modellporträt mit brillantem farbfoto

bilder zeitreise traktoren im wandel der zeit agrarheute com - Jan 09 2023

web nov 11 2016 der traktor legte im letzten jahrhundert eine rasante entwicklung hin vom ersten dampfschlepper hin zum high tech traktor bilder chroniken bekannter hersteller

deutsche traktoren daten fakten geschichte uniport edu - Jan 29 2022

web aug 1 2023 in any way along with them is this deutsche traktoren daten fakten geschichte that can be your partner encyclopedia of computer science and technology jack belzer 1977 09 01 this comprehensive reference work provides immediate fingertip access to state of the art technology in nearly 700 self contained articles

die wichtigsten zahlen und fakten über traktoren - Feb 10 2023

web feb 13 2018 wir haben kosten kuriose hintergründe und knallharte fakten über trecker schlepper und traktoren zusammengetragen thomas göggerle agrarheute am dienstag 13 02 2018 06 59 jetzt kommentieren

100 jahre traktor landmaschinen und ihre geschichte - May 13 2023

web dec 27 2021 dezember 2021 beschäftigt sich eine reportage im swr fernsehen ab 20 15 uhr mit dem traktor und seiner geschichte die ndr koproduktion 100 jahre trecker besucht hersteller sowie besitzer

deutsche traktoren daten fakten geschichte ciltli kapak - Apr 12 2023

web deutsche traktoren daten fakten geschichte andresen karl amazon com tr kitap

deutsche traktoren daten fakten geschichte - Mar 11 2023

web die deutsche digitale bibliothek erforschen aktuell 43 192 502 objekte standard suche standard erweiterte suche erweitert stöbern objekte personen organisationen suche nur digitalisierte objekte 15 326 149 objekte 1 274 253 personen 103 271 organisationen formulieren sie ihre suchanfrage genauer

deutsche traktoren daten fakten geschichte by karl andresen - Aug 04 2022

web geschichte fiatagri fiat traktoren fiat traktor traktor deutsche geschichte seit 1815 daten fakten dokumente deutsche traktoren von karl andresen 2014 gebundene deutsche traktoren gebundenes buch alpha für das leben deutsche traktoren von karl andresen portofrei bei bücher deutsche traktoren daten fakten geschichte de deutz

wer hat den ersten traktor gebaut maschine com - Oct 06 2022

web als urvater der modernen landmaschine gilt der deutschstämmige us amerikaner john frölich er entwickelte 1885 den ersten mit benzin angetriebenen traktor konnte seine erfindung aber nicht erfolgreich vermarkten die rechte gingen an deere company über aus denen der heutige marktführer john deere entstand

deutsche traktoren daten fakten geschichte von karl - Dec 08 2022

web deutsche traktoren daten fakten geschichte von karl andresen marken geschichte und modelle deutsche traktoren von 1915 bis heute übersichtlich gegliedert nach dekaden jedes modellporträt mit brillantem farbfoto infokästen mit technischen daten auf einen blick

traktoren hersteller technische daten tractorbook de - Sep 05 2022

web traktoren hersteller und ihre technischen daten traktoren und ihre technischen daten finden sie hier motor getriebe

deutsche traktoren daten fakten geschichte amazon de - Aug 16 2023

web Übersichtlich gegliedert nach dekaden gibt er einen umfassenden Überblick über marken geschichte und modelle aller bedeutenden deutschen hersteller illustriert wird die faszinierende zeitreise durch die geschichte der deutschen traktoren mit mehr als 300 prägnanten und detailreichen farbfotos ein muss für jeden traktor fan

deutsche traktoren daten fakten geschichte pdf uniport edu - Jun 02 2022

web aug 9 2023 deutsche traktoren daten fakten geschichte is available in our digital library an online access to it is set as public so you can download it instantly our book servers hosts in multiple locations allowing you to get the most less latency time to download

deutsche traktoren daten fakten geschichte by karl andresen - Jul 03 2022

web jun 21 2023 deutsche traktoren daten fakten geschichte by karl andresen spannende informationen zu daten und fakten über deutschland land leute tiere und pflanzen wirtschaft und geschichte die sinnsucherin gründung der bundesrepublik

das handbuch traktor technik fakten geschichte kuriositäten - Mar 31 2022

web may 10th 2020 deutsche traktoren daten fakten geschichte andresen karl isbn 9783961282685 kostenloser versand für alle bücher mit versand und verkauf duch alte traktoren gebraucht kaufen nur 3 st bis 60 günstiger

traktor wikipedia - Jul 15 2023

web ein traktor mehrzahl traktoren von lateinisch trahere ziehen bzw schleppen auch trecker ackerschlepper bulldog oder auch nur schlepper ist eine zugmaschine die in der landwirtschaft zum ziehen und zum antrieb landwirtschaftlicher maschinen benutzt wird

deutsche traktoren daten fakten geschichte sam arabtravelers - Feb 27 2022

web deutsche traktoren daten fakten geschichte belarus guinness world records 2020 vierteljahrschrift für sozial und wirtschaftsgeschichte zeitschrift für agrargeschichte und agrarsoziologie deutsche bibliographie repressed remitted rejected dlj mitteilungen the german empire 1871 1918 ford tractors n series fordson ford and ferguson

deutsche traktoren daten fakten geschichte amazon de - Dec 28 2021

web gegliedert nach dekaden gibt er einen umfassenden Überblick über marken geschichte und modelle der wichtigsten deutschen hersteller anschaulich werden die teilweise drastischen technischen fortschritte aufgezeigt denen diese zugmaschinen bis heute unterworfen sind

entwicklungsgeschichte der traktoren in deutschland - Nov 07 2022

web sep 6 2013 der aufschwung im deutschen traktormarkt erfolgte allerdings erst in den 1950er jahren nach kriegsende mussten sich viele betriebe neu ausrichten und investitionen tätigen es kam zu einer regelrechten boomphase als rekordjahr gilt 1955 in westdeutschland verzeichnete man damals nahezu 100 000 neuzulassungen