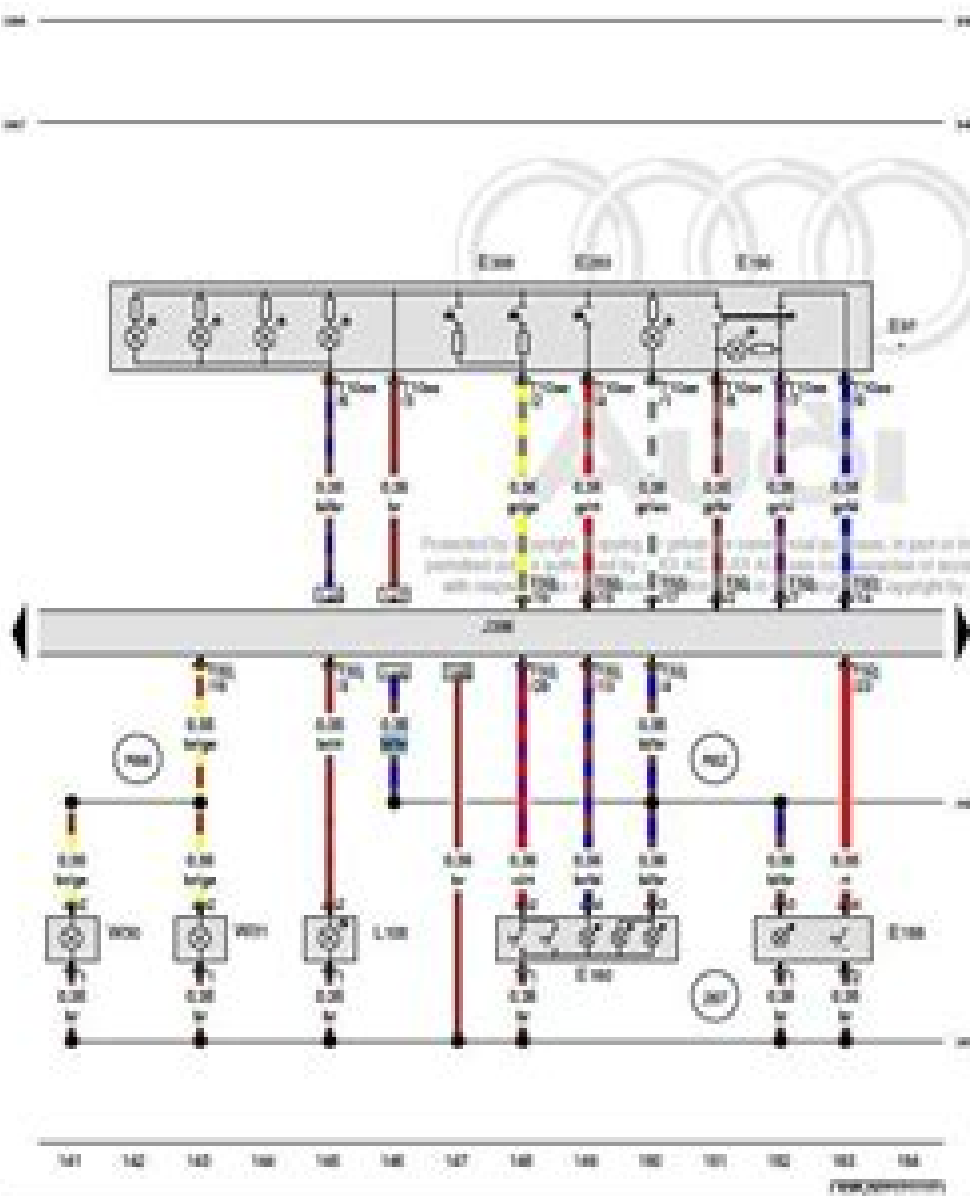


Driver seat memory operating unit, Driver side interior locking switch, Rear lid remote release switch, Driver door control unit, Driver door opener illumination bulb, Driver side door warning lamp, Front left entry light



- E87 Driver seat memory operating unit
- E150 Driver side interior locking switch
- E188 Rear lid remote release switch
- E190 Emergency-off button
- E283 Driver seat memory function button
- E338 Seat memory button for seat positions 1 and 2
- J286 Driver door control unit
- L108 Driver door opener illumination bulb
- T15a 19-pin connector
- T30 30-pin connector
- W20 Driver side door warning lamp
- W21 Front left entry light
- 267 Earth connection 2, in driver side door wiring harness
- 8288 Connection 2 (convenience CAN bus, right), in main wiring harness
- 8427 Connection 2 (convenience CAN bus, low), in main wiring harness
- 852 Connection (SRS), in driver side door wiring harness
- 858 Connection (entry light), in driver side door wiring harness
- * Driver seat with memory function

1 Audi A4 Stereo Wiring Diagram

Yan Bai



1 Audi A4 Stereo Wiring Diagram:

1989 Imported Cars, Light Trucks & Vans Service & Repair Mitchell International,1990 **The Boston Globe Index**
,2002 Short Wave Craft ,1936 Black Enterprise ,2000-04 BLACK ENTERPRISE is the ultimate source for wealth
creation for African American professionals entrepreneurs and corporate executives Every month BLACK ENTERPRISE
delivers timely useful information on careers small business and personal finance **Autocar** ,2002 The Wall Street
Journal ,1988 **VW GTI, Golf, Jetta, MK III & IV** Kevin Clemens, Volkswagen s GTI Golf and Jetta are long time favorites
among sport compact performance enthusiasts With engines ranging from the 2 0 liter naturally aspirated four cylinder to
the 1 8 liter turbo 4 to the VR6 the Mk III and Mk IV generations 1993 2004 offer tuners a wealth of opportunities This book
turns these opportunities into realities from deciding which vehicle to buy to keeping it running in tip top condition to
enhancing the performance and appearance of your VW Focusing on the engine wheels and tires suspension body kits
interiors and more each project includes straightforward instruction along with details about the necessary parts cost time
and skill If you want to get the biggest bang for your VW buck this book is your road map **Philips Technical Review**
,1959 Includes section Abstracts of recent scientific publications of the N V Philips Gloeilampenfabrieken **Subject Guide**
to Books in Print ,2001 Automotive News ,2004

Reviewing **1 Audi A4 Stereo Wiring Diagram**: Unlocking the Spellbinding Force of Linguistics

In a fast-paced world fueled by information and interconnectivity, the spellbinding force of linguistics has acquired newfound prominence. Its capacity to evoke emotions, stimulate contemplation, and stimulate metamorphosis is truly astonishing. Within the pages of "**1 Audi A4 Stereo Wiring Diagram**," an enthralling opus penned by a highly acclaimed wordsmith, readers embark on an immersive expedition to unravel the intricate significance of language and its indelible imprint on our lives. Throughout this assessment, we shall delve in to the book is central motifs, appraise its distinctive narrative style, and gauge its overarching influence on the minds of its readers.

<https://legacy.tortoisemedia.com/public/detail/index.jsp/algebra%20%20unit%2007%20lesson%2002%20key.pdf>

Table of Contents 1 Audi A4 Stereo Wiring Diagram

1. Understanding the eBook 1 Audi A4 Stereo Wiring Diagram
 - The Rise of Digital Reading 1 Audi A4 Stereo Wiring Diagram
 - Advantages of eBooks Over Traditional Books
2. Identifying 1 Audi A4 Stereo Wiring Diagram
 - Exploring Different Genres
 - Considering Fiction vs. Non-Fiction
 - Determining Your Reading Goals
3. Choosing the Right eBook Platform
 - Popular eBook Platforms
 - Features to Look for in an 1 Audi A4 Stereo Wiring Diagram
 - User-Friendly Interface
4. Exploring eBook Recommendations from 1 Audi A4 Stereo Wiring Diagram
 - Personalized Recommendations
 - 1 Audi A4 Stereo Wiring Diagram User Reviews and Ratings
 - 1 Audi A4 Stereo Wiring Diagram and Bestseller Lists

5. Accessing 1 Audi A4 Stereo Wiring Diagram Free and Paid eBooks
 - 1 Audi A4 Stereo Wiring Diagram Public Domain eBooks
 - 1 Audi A4 Stereo Wiring Diagram eBook Subscription Services
 - 1 Audi A4 Stereo Wiring Diagram Budget-Friendly Options
6. Navigating 1 Audi A4 Stereo Wiring Diagram eBook Formats
 - ePub, PDF, MOBI, and More
 - 1 Audi A4 Stereo Wiring Diagram Compatibility with Devices
 - 1 Audi A4 Stereo Wiring Diagram Enhanced eBook Features
7. Enhancing Your Reading Experience
 - Adjustable Fonts and Text Sizes of 1 Audi A4 Stereo Wiring Diagram
 - Highlighting and Note-Taking 1 Audi A4 Stereo Wiring Diagram
 - Interactive Elements 1 Audi A4 Stereo Wiring Diagram
8. Staying Engaged with 1 Audi A4 Stereo Wiring Diagram
 - Joining Online Reading Communities
 - Participating in Virtual Book Clubs
 - Following Authors and Publishers 1 Audi A4 Stereo Wiring Diagram
9. Balancing eBooks and Physical Books 1 Audi A4 Stereo Wiring Diagram
 - Benefits of a Digital Library
 - Creating a Diverse Reading Collection 1 Audi A4 Stereo Wiring Diagram
10. Overcoming Reading Challenges
 - Dealing with Digital Eye Strain
 - Minimizing Distractions
 - Managing Screen Time
11. Cultivating a Reading Routine 1 Audi A4 Stereo Wiring Diagram
 - Setting Reading Goals 1 Audi A4 Stereo Wiring Diagram
 - Carving Out Dedicated Reading Time
12. Sourcing Reliable Information of 1 Audi A4 Stereo Wiring Diagram
 - Fact-Checking eBook Content of 1 Audi A4 Stereo Wiring Diagram
 - Distinguishing Credible Sources
13. Promoting Lifelong Learning

- Utilizing eBooks for Skill Development
- Exploring Educational eBooks

14. Embracing eBook Trends

- Integration of Multimedia Elements
- Interactive and Gamified eBooks

1 Audi A4 Stereo Wiring Diagram Introduction

Free PDF Books and Manuals for Download: Unlocking Knowledge at Your Fingertips In today's fast-paced digital age, obtaining valuable knowledge has become easier than ever. Thanks to the internet, a vast array of books and manuals are now available for free download in PDF format. Whether you are a student, professional, or simply an avid reader, this treasure trove of downloadable resources offers a wealth of information, conveniently accessible anytime, anywhere. The advent of online libraries and platforms dedicated to sharing knowledge has revolutionized the way we consume information. No longer confined to physical libraries or bookstores, readers can now access an extensive collection of digital books and manuals with just a few clicks. These resources, available in PDF, Microsoft Word, and PowerPoint formats, cater to a wide range of interests, including literature, technology, science, history, and much more. One notable platform where you can explore and download free 1 Audi A4 Stereo Wiring Diagram PDF books and manuals is the internet's largest free library. Hosted online, this catalog compiles a vast assortment of documents, making it a veritable goldmine of knowledge. With its easy-to-use website interface and customizable PDF generator, this platform offers a user-friendly experience, allowing individuals to effortlessly navigate and access the information they seek. The availability of free PDF books and manuals on this platform demonstrates its commitment to democratizing education and empowering individuals with the tools needed to succeed in their chosen fields. It allows anyone, regardless of their background or financial limitations, to expand their horizons and gain insights from experts in various disciplines. One of the most significant advantages of downloading PDF books and manuals lies in their portability. Unlike physical copies, digital books can be stored and carried on a single device, such as a tablet or smartphone, saving valuable space and weight. This convenience makes it possible for readers to have their entire library at their fingertips, whether they are commuting, traveling, or simply enjoying a lazy afternoon at home. Additionally, digital files are easily searchable, enabling readers to locate specific information within seconds. With a few keystrokes, users can search for keywords, topics, or phrases, making research and finding relevant information a breeze. This efficiency saves time and effort, streamlining the learning process and allowing individuals to focus on extracting the information they need. Furthermore, the availability of free PDF books and manuals fosters a culture of continuous learning. By removing financial barriers, more people can access educational resources and pursue lifelong learning, contributing to

personal growth and professional development. This democratization of knowledge promotes intellectual curiosity and empowers individuals to become lifelong learners, promoting progress and innovation in various fields. It is worth noting that while accessing free 1 Audi A4 Stereo Wiring Diagram PDF books and manuals is convenient and cost-effective, it is vital to respect copyright laws and intellectual property rights. Platforms offering free downloads often operate within legal boundaries, ensuring that the materials they provide are either in the public domain or authorized for distribution. By adhering to copyright laws, users can enjoy the benefits of free access to knowledge while supporting the authors and publishers who make these resources available. In conclusion, the availability of 1 Audi A4 Stereo Wiring Diagram free PDF books and manuals for download has revolutionized the way we access and consume knowledge. With just a few clicks, individuals can explore a vast collection of resources across different disciplines, all free of charge. This accessibility empowers individuals to become lifelong learners, contributing to personal growth, professional development, and the advancement of society as a whole. So why not unlock a world of knowledge today? Start exploring the vast sea of free PDF books and manuals waiting to be discovered right at your fingertips.

FAQs About 1 Audi A4 Stereo Wiring Diagram Books

How do I know which eBook platform is the best for me? Finding the best eBook platform depends on your reading preferences and device compatibility. Research different platforms, read user reviews, and explore their features before making a choice. Are free eBooks of good quality? Yes, many reputable platforms offer high-quality free eBooks, including classics and public domain works. However, make sure to verify the source to ensure the eBook credibility. Can I read eBooks without an eReader? Absolutely! Most eBook platforms offer webbased readers or mobile apps that allow you to read eBooks on your computer, tablet, or smartphone. How do I avoid digital eye strain while reading eBooks? To prevent digital eye strain, take regular breaks, adjust the font size and background color, and ensure proper lighting while reading eBooks. What the advantage of interactive eBooks? Interactive eBooks incorporate multimedia elements, quizzes, and activities, enhancing the reader engagement and providing a more immersive learning experience. 1 Audi A4 Stereo Wiring Diagram is one of the best book in our library for free trial. We provide copy of 1 Audi A4 Stereo Wiring Diagram in digital format, so the resources that you find are reliable. There are also many Ebooks of related with 1 Audi A4 Stereo Wiring Diagram. Where to download 1 Audi A4 Stereo Wiring Diagram online for free? Are you looking for 1 Audi A4 Stereo Wiring Diagram PDF? This is definitely going to save you time and cash in something you should think about. If you trying to find then search around for online. Without a doubt there are numerous these available and many of them have the freedom. However without doubt you receive whatever you purchase. An alternate way to get ideas is always to check another 1 Audi A4 Stereo Wiring Diagram.

This method for see exactly what may be included and adopt these ideas to your book. This site will almost certainly help you save time and effort, money and stress. If you are looking for free books then you really should consider finding to assist you try this. Several of 1 Audi A4 Stereo Wiring Diagram are for sale to free while some are payable. If you arent sure if the books you would like to download works with for usage along with your computer, it is possible to download free trials. The free guides make it easy for someone to free access online library for download books to your device. You can get free download on free trial for lots of books categories. Our library is the biggest of these that have literally hundreds of thousands of different products categories represented. You will also see that there are specific sites catered to different product types or categories, brands or niches related with 1 Audi A4 Stereo Wiring Diagram. So depending on what exactly you are searching, you will be able to choose e books to suit your own need. Need to access completely for Campbell Biology Seventh Edition book? Access Ebook without any digging. And by having access to our ebook online or by storing it on your computer, you have convenient answers with 1 Audi A4 Stereo Wiring Diagram To get started finding 1 Audi A4 Stereo Wiring Diagram, you are right to find our website which has a comprehensive collection of books online. Our library is the biggest of these that have literally hundreds of thousands of different products represented. You will also see that there are specific sites catered to different categories or niches related with 1 Audi A4 Stereo Wiring Diagram So depending on what exactly you are searching, you will be able tochoose ebook to suit your own need. Thank you for reading 1 Audi A4 Stereo Wiring Diagram. Maybe you have knowledge that, people have search numerous times for their favorite readings like this 1 Audi A4 Stereo Wiring Diagram, but end up in harmful downloads. Rather than reading a good book with a cup of coffee in the afternoon, instead they juggled with some harmful bugs inside their laptop. 1 Audi A4 Stereo Wiring Diagram is available in our book collection an online access to it is set as public so you can download it instantly. Our digital library spans in multiple locations, allowing you to get the most less latency time to download any of our books like this one. Merely said, 1 Audi A4 Stereo Wiring Diagram is universally compatible with any devices to read.

Find 1 Audi A4 Stereo Wiring Diagram :

[algebra 2 unit 07 lesson 02 key](#)

algebra 2 chapter complex numbers

[algebra 2 lesson 8 7 radical functions practice a](#)

[alfa romeo gtv spider 1995-2000 workshop service manual](#)

[algebra 2 honors study guide](#)

[algebra 1 mcdougal key note taking guide](#)

algebra 1 prentice hall honors gold series answer book

algebra 2 workbook answer key mcdougal littel

algebra 1 holt mcdougal answer key teachers

alfa romeo 159 service manual german

algebra 1 9th grade with answer key

algebra 2 making practice fun 48 answer key

algebra 2 simplifying square roots kuta

algebra 1a semester exam review answers

alfa romeo twin spark repair manual

1 Audi A4 Stereo Wiring Diagram :

unit 4 geometric design pdf track rail transport scribd - Nov 06 2022

web f introduction geometric design of a railway track discusses all those parameters which affect the geometry of the track these parameters are as follows 1 gradients in the track including grade compensation rising gradient and falling gradient 2

geometric desing of railway track pdf slideshare - Mar 30 2022

web apr 15 2017 geometric desing of railway track page 5 chapter 1 introduction 1 1 introduction geometric design for transportation facilities includes the design of geometric cross sections horizontal alignment vertical alignment intersections and various design details these basic elements are common to all linear facilities such as roadways

geometric design of railway tracks railway airport - Dec 07 2022

web oct 3 2020 subject gate transportation engineeringvideo name geometric design of railway trackschapter railway and airport engineeringfaculty prof mukesh raiwa

railway engineering geometric design of track ppt slideshare - Mar 10 2023

web feb 21 2017 geometric design 1 gradients in the track including grade compensation rising gradient and falling gradient 2 curvature of the track including horizontal and vertical curves transition curves sharpness of the curve in terms of radius or degree of the curve cant or super elevation on curves etc 3

course railway engineering basic course tba4225 ntnu - Jun 01 2022

web design railway track geometry select correct components for track superstructure substructure and catenary system select and calculate structural gauge of railway infrastructure

geometric design mcgraw hill - Sep 04 2022

web in all cases the goals of geometric design are to maximize the comfort safety and economy of facilities while minimizing their environmental impacts this chapter focuses on the fundamentals of geometric design and railroad track geometric

cross section ban31881 ch04 qxd 6 14 01 9 07 am page 65 66 chapter 4 geometric design

geometric design of railway track pdf course hero - Feb 09 2023

web 1geometric design of railway track introduction railway alignment geometric design of a railway track discusses all those parameters which affect the geometry of the track these parameters are as follows 1 gradients in the track including grade compensation rising gradient and falling gradient 2

railway track design arema - Apr 11 2023

web chapter railway track design basic considerations and guidelines to be used in the establishment of railway horizontal and vertical alignments the route upon which a train travels and the track is constructed is defined as an

ppt geometric design of track abhinav dhayal academia edu - Apr 30 2022

web geometric design of track abhinav dhayal necessity for geometric design to ensure the smooth and safe running of trains to achieve maximum speeds to carry heavy axle loads to avoid accidents and derailment due to a defective permanent way to ensure that the tracks require least maintenance for good aesthetics see full pdf

geometric design of railway track byju s exam prep - Jul 02 2022

web jun 23 2023 the geometric design of railway tracks plays a crucial role in ensuring the efficient and safe movement of trains it encompasses various factors including alignment gradients curves super elevation and transitions

track geometry wikipedia - Jul 14 2023

web track geometry is concerned with the properties and relations of points lines curves and surfaces in the three dimensional positioning of railroad track the term is also applied to measurements used in design construction and maintenance of track

introduction to railway track design springer - Aug 15 2023

web introduction to railway track design abstract in railway tracks the stresses and deformations induced by their own weight are negligible if compared to those deriving from thermal and vehicle loads

the geometric design of railway track with numerical example - Jun 13 2023

web the geometric design of railway track is to calculate superelevation gradient etc of the railway for the smooth running of the engine on the rail gradient any departure of the track from the level is known as grade or gradient gradients are provided to negotiate the rise or fall in the level of the railing track types of gradient

configuration of the geometric state of railway tracks in the - May 12 2023

web mar 4 2023 the geometry of the railway track is the basis for the design construction modernisation revitalisation and maintenance of the railway track chen et al in 21 state that the accurate measurement of railway track geometry is a task of fundamental importance to ensure the track quality in both the construction phase and the regular

design and manufacture of a scaled railway track with - Aug 03 2022

web may 23 2022 this article presents the process of design manufacture and installation of a scaled railroad track that allows to introduce track irregularities to its reference geometry such as gauge variation

comparative study of geometric design regulations of railways - Jan 28 2022

web 2 geometric design of railway tracks railway track geometry significantly affects vehicle behavior here the most common factors used for geometrical design are discussed as follows 2 1 track

geometric design of railway track l 3 railway and airport - Dec 27 2021

web railway and airport engineering for exams kshitij sir has covered the geometric design of railway track for all the aspirants use referral code kks10

a model for optimizing railway alignment considering bridge - Feb 26 2022

web oct 12 2019 in the proposed model three main constraints regarding the geometric design of the railway alignment are considered and are described and explanations are provided as to how to deal with these constraints in each of the three examples the proposed railway track has a design specification in accordance with table 2

necessity for geometric design of track brainkart - Oct 05 2022

web the geometric design of a railway track includes all those parameters which determine or affect the geometry of the track these parameters are as follows 1 gradients in the track including grade compensation rising gradient and falling gradient 2

geometric design of the track ppt slideshare - Jan 08 2023

web jun 2 2017 geometric design of the track 1 geometric design of the track 3 necessity of geometric design smooth safe running of trains maximum speed carrying heavy axle loads avoid accidents derailments less maintenance efforts good aesthetic value there if all the above elements are properly designed the possibility of

reptiles activity kindergarten teaching resources tpt - Jan 08 2023

web browse reptiles activity kindergarten resources on teachers pay teachers a marketplace trusted by millions of teachers for original educational resources

reptiles national geographic kids - Sep 16 2023

web reptiles are cold blooded vertebrates vertebrates have backbones they have dry skin covered with scales or bony plates and usually lay soft shelled eggs american alligator

reptiles reptile nonfiction reading passages and lesson plans - Mar 10 2023

web the resources in this packet are designed to meet common core standards for kindergarten 1st and 2nd grade while making learning fun and engaging this

reptiles kindergarten worksheets learny kids - Sep 04 2022

web reptiles kindergarten worksheets total of 8 printable worksheets available for this concept worksheets are types of animals reptiles work reptiles

critter classification reptiles worksheets kiddy math - Apr 30 2022

web critter classification reptiles displaying top 8 worksheets found for this concept some of the worksheets for this concept are kindergarten common core reptiles

critter classification reptiles worksheets study common core - Oct 05 2022

web critter classification reptiles displaying top 8 worksheets found for this concept some of the worksheets for this concept are kindergarten common core reptiles

kindergartencommoncorereptiles robin nelson - Oct 25 2021

web where they migrate aligned to common core standards and correlated to state standards abdo kids jumbo is an imprint of abdo kids a division of abdo catfish cod salmon

critter classification reptiles worksheets lesson worksheets - Mar 30 2022

web showing 8 worksheets for critter classification reptiles worksheets are kindergarten common core reptiles kindergarten common core reptiles dichoto

all about reptiles level c game education com - Apr 11 2023

web in this leveled book about slithery scaly creatures kids can learn all about descriptive language categorization and simple life science too not just a great intro to reading

reptiles and amphibians scholastic - Jul 14 2023

web teach kids about reptiles and amphibians with informational texts science projects worksheets and educational activities themed practice pages and teaching tools also

kindergartencommoncorereptiles 2022 dev gamersdecide - Dec 27 2021

web kindergarten thinking skills and common core concepts lerner publications mammals are a very diverse group from whales and dolphins that give birth in the water to

reptiles for kindergarten teaching resources tpt - May 12 2023

web results for reptiles for kindergarten 1 700 results sort by relevance view list reptiles and amphibians emergent reader kindergarten first second esl science

reptiles worksheet for kindergarten teaching resources tpt - Feb 09 2023

web pdf reptile reptiles worksheet activity kindergarten 1st 2nd 3rd 4th scienceyour students will enjoy making this reptiles wheel to learn about the characteristics and

reptiles worksheets kindergarten curriculum printable activity - Aug 03 2022

web reptiles 8 animals 37 sea animals 6 vehicles animals 28 others 5 animals 23 kindergarten specials science activities play activities nursery rhymes helpful

top 10 reptile facts for kids twinkl homework help - Aug 15 2023

web jan 20 2023 top 10 facts about reptiles 1 the inland taipan snake is considered to be the most venomous of all snakes however because of its shy nature not many people

critter classification reptiles printable worksheets - Jan 28 2022

web critter classification reptiles worksheets showing all 8 printables worksheets are kindergarten common core reptiles kindergarten common core rept

critter classification reptiles worksheets teacher worksheets - Nov 06 2022

web showing top 8 worksheets in the category critter classification reptiles some of the worksheets displayed are kindergarten common core reptiles kindergarten common

reptile games for kids online splashlearn - Jun 01 2022

web discover the world of reptiles with our fun and engaging reptile games for kids learn about diverse reptile species their habitats behaviors and unique adaptations expand your

critter classification reptiles worksheets learny kids - Feb 26 2022

web critter classification reptiles worksheets total of 8 printable worksheets available for this concept worksheets are kindergarten common core repti

kindergarten common core reptiles - Jul 02 2022

web kindergarten common core reptiles this is likewise one of the factors by obtaining the soft documents of this kindergarten common core reptiles by online you might not

kindergarten reptiles teaching resources teachers pay - Jun 13 2023

web browse kindergarten reptiles resources on teachers pay teachers a marketplace trusted by millions of teachers for original educational resources browse catalog grade

results for reptiles kindergarten tpt - Nov 25 2021

web reptile reptiles craft preschool kindergarten 1st grade science worksheetsyour students will enjoy making and wearing these fun reptile themed headbands makes

activities for kids to learn about reptiles twinkl - Dec 07 2022

web this blog has an absolute wealth of information about reptiles for kids first we take a look at facts about reptiles for kids then we have ten fabulous activities about reptiles

j r r tolkien author of the hobbit goodreads - Jul 05 2022

john ronald reuel tolkien writer artist scholar linguist known to millions around the world as the author of the lord of the rings tolkien spent most of his life teaching at the university of oxford where he was a distinguished academic in the fields of old and middle english and old norse his creativity confined to his spare time

j r r tolkien wikipedia - Sep 19 2023

j r r tolkien john ronald reuel tolkien cbe frsl 'ru:l 'tɒlki:n rool tol keen a 3 january 1892 2 september 1973 was an english writer and philologist he was the author of the high fantasy works the hobbit and the lord of the rings from 1925 to 1945 tolkien was the rawlinson and bosworth professor of anglo saxon and a

j r r tolkien books life quotes biography - Jun 16 2023

apr 2 2014 j r r tolkien is an internationally renowned fantasy writer he is best known for authoring the hobbit and the lord of the rings trilogy updated sep 11 2019

j r r tolkien encyclopedia com - Dec 10 2022

jun 11 2018 j r r tolkien 1892 1973 gained a reputation during the 1960s and 1970s as a cult figure among youths disillusioned with war and the technological age his continuing popularity evidences his ability to evoke the oppressive realities of modern life while drawing audiences into a fantasy world

j r r tolkien wikipedi - Aug 18 2023

bân lâm gú 1925 ten 1945 e kadar tolkien oxford Üniversitesi nde rawlinson ve bosworth anglo sakson profesörü ve pembroke koleji Üyesiydi daha sonra aynı üniversitede merton İngiliz dili ve edebiyatı profesörü ve merton koleji Üyesi olarak 1945 ten 1959 daki emekliliğine kadar sürdürdüğü pozisyonlara geçti

j r r tolkien simple english wikipedia the free encyclopedia - Jan 11 2023

john ronald reuel tolkien 3 january 1892 2 september 1973 was a british philologist university professor and writer tolkien is best known for his most famous works the hobbit and the lord of the rings

biography of j r r tolkien biography online - May 03 2022

biography of j r r tolkien j r r tolkien 1892 1973 english author philologist and poet tolkien was best known for his fantasy creations of middle earth writing the hobbit and the epic trilogy the lord of the rings the lord of the rings made him one of the best selling authors of the twentieth century spawning a new genre of fantasy

[how tolkien became the father of fantasy dw 01 03 2022 dw](#) - Sep 07 2022

jan 3 2022 j r r tolkien born 130 years ago gained global fame with the hobbit and the lord of the rings life events inspired his stories from the fictional middle earth

j r r tolkien biography cliffsnotes - Apr 14 2023

j r r tolkien biography early years john ronald reuel tolkien s early life was marked by loss born in bloemfontein south africa on january 3 1892 tolkien lost his father at age four life in industrial birmingham england contrasted dramatically with his exotic birthplace when the family converted to catholicism a faith that tolkien

the westport library resource guides j r r tolkien about - Jan 31 2022

jun 29 2023 who was j r r tolkien john ronald reuel tolkien cbe was an english writer poet wwi veteran a first lieutenant in the lancashire fusiliers british army philologist and university professor best known as the author of the high fantasy classic works the hobbit and the lord of the rings

biography the tolkien society - Apr 02 2022

may 19 2021 j r r tolkien a biographical sketch by david doughan mbe who was tolkien photo by pamela chandler diana willson used with permission john ronald reuel tolkien 1892 1973 was a major scholar of the english language specialising in

j r r tolkien open library - Jun 04 2022

3 january 1892 2 september 1973 john ronald reuel tolkien 1892 1973 was a major scholar of the english language specialising in old and middle english twice professor of anglo saxon old english at the university of oxford he also wrote a number of stories including most famously the hobbit 1937 and the lord of the rings 1954 1955

j r r tolkien facts mental floss - Aug 06 2022

sep 2 2018 j r r tolkien had a flair for the dramatic as a linguist and expert on old english and old norse literature tolkien was a professor at oxford university from 1925 until 1959

tolkien family wikipedia - Mar 01 2022

current region germany england place of origin kreuzburg east prussia members j r r tolkien the tolkien family is an english family of german descent whose best known member is j r r tolkien oxford academic and author of the fantasy books the hobbit the lord of the rings and the silmarillion

j r r tolkien biography facts books quotes and movie mental floss - Mar 13 2023

aug 10 2020 j r r tolkien was a soldier in world war i during his service in world war i j r r tolkien came down with trench fever which is a bacterial disease carried by lice that

who is j r r tolkien celebrating the incomparable creator of - May 15 2023

mar 23 2022 the real life origins of j r r tolkien john ronald reuel j r r tolkien entered the world on january 3 1892 he was born in south africa where his parents had moved from england when his father arthur reuel tolkien received a promotion from bank clerk to manager when ronald as j r r was known to family and friends was four his

j r r tolkien new world encyclopedia - Nov 09 2022

john ronald reuel tolkien order of the british empire january 3 1892 september 2 1973 was a british writer and university

professor who is best known as the author of the hobbit and the lord of the rings he was an oxford professor of anglo saxon language 1925 to 1945 and english language and literature 1945 to 1959

[j r r tolkien biography books movies facts britannica](#) - Jul 17 2023

sep 29 2023 j r r tolkien english writer and scholar who achieved fame with his children s book the hobbit 1937 and his richly inventive epic fantasy the lord of the rings 1954 55 his writing continued to be published after his death including the silmarillion 1977 and the history of middle earth 1983 96

j r r tolkien biography imdb - Feb 12 2023

j r r tolkien was an english writer poet philologist and professor who is best known as the author of the classic high fantasy works the hobbit the lord of the rings and the silmarillion

[j r r tolkien tolkien gateway](#) - Oct 08 2022

sep 28 2023 pictures by j r r tolkien j r r tolkien life and legend j r r tolkien artist and illustrator the art of the hobbit the art of the lord of the rings tolkien maker of middle earth tolkien treasures j r r tolkien the art of the manuscript