



CAUTION!

FIBERGLASS, ALUMINUM OR LIGHTWEIGHT STEEL GARAGE DOORS WILL REQUIRE REINFORCEMENT BEFORE INSTALLATION OF DOOR MOUNTING BRACKET. CONTACT YOUR DOOR MANUFACTURER FOR A REINFORCEMENT KIT OR INSTRUCTIONS.

DOOR ARM CONNECTION AND INSTALLATION

NOTE: If the door is of light construction it is necessary to reinforce the center stile with steel angle or wood to prevent damage to the door if it encounters an obstruction on closing.

Step 7: Connecting Door Arm to Trolley

Release the center trolley slide such as to effect manual operation, see Page 7.

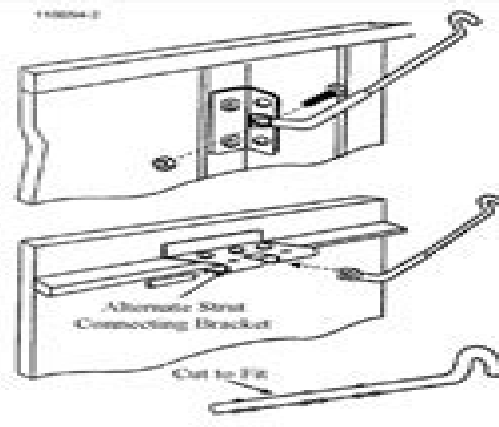
The door arm assembly consists of the door arm tube section and door arm rod which are packaged separately. To assemble, screw the door arm rod into the door arm tube in a clockwise direction approximately ten turns. Connect the door arm rod to the trolley ensuring the hook end goes through both holes on the front end of the outer trolley.



Step 8: Connecting the Door Arm to the Door

Type 1: Door Mounted Bracket

Visually align the door arm connecting hole with the middle hole of the door bracket by rotating the tube section in the appropriate direction. Release the trolley (leave door arm attached) with the manual release cord and pull trolley toward the power head unit. Now rotate the door arm tube section two turns counterclockwise (increasing the exposed length of the door rod) to provide a cushion when the door is closed or encounters an obstruction. Align connecting hole in the door arm to middle hole in the door bracket; insert 3/8" diameter bolt and tighten locking nut, allowing for free pivot of the arm.



Note: Do not overtighten locking nut as this will cause binding between the door arm and door bracket.

Type 2: Strut Mounted Bracket

Visually align the door arm connecting hole with the connecting pin of the strut by rotating the tube section in the appropriate direction. Release the trolley (leave door arm attached) with the manual release cord and pull trolley toward the power head unit. Now rotate the door arm tube section two turns counterclockwise (increasing the exposed length of the door rod) to provide a cushion when the door is closed or encounters an obstruction. Align connecting hole in the door arm with the strut mounted connecting bracket. Insert connecting pin through the hole in the door arm. Secure the connecting pin to the strut bracket according to the manufacturer's instructions.

Note: Door Bracket Mount or Strut Mount - If rod bottoms in cushion tube, cut rod to allow for proper function of this assembly.

Set the outer trolley to re-engage, see page 7.

Allstar Challenger GI Manual

Helming



Allstar Challenger GI Manual:

2014 Dodge Challenger - OEM Owners Manual Compatible with OEM Owners Manual, Factory Glovebox Book Helming,2014-05-27 **2013 Dodge Challenger Owner Manual Compatible with OEM Owners Manual, Factory Glovebox Book** Helming,2013-06-05 2013 Dodge Challenger SRT - OEM Owners Manual Compatible with OEM Owners Manual, Factory Glovebox Book Helming,2013-08-28 **2011 Dodge Challenger OEM Owners Manual Compatible with OEM Owners Manual, Factory Glovebox Book** Helming,2011-10-07 **Dodge Challenger and Plymouth Sapporo, 1978 Thru 1983** John Haynes,Larry Holt,1983-11 Haynes offers the best coverage for cars trucks vans SUVs and motorcycles on the market today Each manual contains easy to follow step by step instructions linked to hundreds of photographs and illustrations Included in every manual troubleshooting section to help identify specific problems tips that give valuable short cuts to make the job easier and eliminate the need for special tools notes cautions and warnings for the home mechanic color spark plug diagnosis and an easy to use index **2020 Dodge Challenger OEM Owners Manual Compatible with OEM Owners Manual, Factory Glovebox Book** Helming,2020-01-12 Service Manual Sub-compact, 1981 Chrysler Corporation,1981 2015 Dodge Challenger SRT - OEM Owners Manual Compatible with OEM Owners Manual, Factory Glovebox Book Helming,2015-02-09 **2015 Dodge Challenger OEM Owners Manual Compatible with OEM Owners Manual, Factory Glovebox Book** Helming,2015-05-27 Service Manual, Challenger, Sapporo, 1982 Chrysler Corporation,1982 **2019 Dodge Challenger OEM Owners Manual Compatible with OEM Owners Manual, Factory Glovebox Book** Helming,2019-10-26 2012 Dodge Challenger - SRT- OEM Owners Manual Compatible with OEM Owners Manual, Factory Glovebox Book Helming,2012-04-11 2021 Dodge Challenger OEM Owners Manual Compatible with OEM Owners Manual, Factory Glovebox Book Helming,2021-01-14 **2018 Dodge Challenger OEM Owners Manual Compatible with OEM Owners Manual, Factory Glovebox Book** Helming,2018-11-03 **2017 Dodge Challenger OEM Owners Manual Compatible with OEM Owners Manual, Factory Glovebox Book** Helming,2017-08-19 2016 Dodge Challenger OEM Owners Manual Compatible with OEM Owners Manual, Factory Glovebox Book Helming,2016-02-28 2009 Dodge Challenger Owner Manual Compatible with OEM Owners Manual, Factory Glovebox Book Helming,2009-03-28 2017 Dodge Challenger SRT Owner Manual Compatible with OEM Owners Manual, Factory Glovebox Book Helming,2017-08-05 **Dodge Challenger/Ply. Sapporo** Larry Holt,John Harold Haynes,1983 **2012 Dodge Challenger - OEM Owners Manual Compatible with OEM Owners Manual, Factory Glovebox Book** Helming,2012-08-05

Unveiling the Power of Verbal Beauty: An Emotional Sojourn through **Allstar Challenger GI Manual**

In a world inundated with screens and the cacophony of fast communication, the profound energy and psychological resonance of verbal beauty usually diminish in to obscurity, eclipsed by the constant barrage of sound and distractions. Yet, set within the lyrical pages of **Allstar Challenger GI Manual**, a charming function of fictional elegance that pulses with fresh feelings, lies an memorable journey waiting to be embarked upon. Written with a virtuoso wordsmith, this enchanting opus books readers on a mental odyssey, gently revealing the latent potential and profound influence stuck within the complex web of language. Within the heart-wrenching expanse of the evocative evaluation, we shall embark upon an introspective exploration of the book is key themes, dissect their fascinating publishing design, and immerse ourselves in the indelible impact it leaves upon the depths of readers souls.

<https://legacy.tortoisemedia.com/book/publication/index.jsp/emotional%20intelligence%202026%20guide.pdf>

Table of Contents Allstar Challenger GI Manual

1. Understanding the eBook Allstar Challenger GI Manual
 - The Rise of Digital Reading Allstar Challenger GI Manual
 - Advantages of eBooks Over Traditional Books
2. Identifying Allstar Challenger GI Manual
 - Exploring Different Genres
 - Considering Fiction vs. Non-Fiction
 - Determining Your Reading Goals
3. Choosing the Right eBook Platform
 - Popular eBook Platforms
 - Features to Look for in an Allstar Challenger GI Manual
 - User-Friendly Interface
4. Exploring eBook Recommendations from Allstar Challenger GI Manual
 - Personalized Recommendations

- Allstar Challenger GI Manual User Reviews and Ratings
- Allstar Challenger GI Manual and Bestseller Lists
- 5. Accessing Allstar Challenger GI Manual Free and Paid eBooks
 - Allstar Challenger GI Manual Public Domain eBooks
 - Allstar Challenger GI Manual eBook Subscription Services
 - Allstar Challenger GI Manual Budget-Friendly Options
- 6. Navigating Allstar Challenger GI Manual eBook Formats
 - ePub, PDF, MOBI, and More
 - Allstar Challenger GI Manual Compatibility with Devices
 - Allstar Challenger GI Manual Enhanced eBook Features
- 7. Enhancing Your Reading Experience
 - Adjustable Fonts and Text Sizes of Allstar Challenger GI Manual
 - Highlighting and Note-Taking Allstar Challenger GI Manual
 - Interactive Elements Allstar Challenger GI Manual
- 8. Staying Engaged with Allstar Challenger GI Manual
 - Joining Online Reading Communities
 - Participating in Virtual Book Clubs
 - Following Authors and Publishers Allstar Challenger GI Manual
- 9. Balancing eBooks and Physical Books Allstar Challenger GI Manual
 - Benefits of a Digital Library
 - Creating a Diverse Reading Collection Allstar Challenger GI Manual
- 10. Overcoming Reading Challenges
 - Dealing with Digital Eye Strain
 - Minimizing Distractions
 - Managing Screen Time
- 11. Cultivating a Reading Routine Allstar Challenger GI Manual
 - Setting Reading Goals Allstar Challenger GI Manual
 - Carving Out Dedicated Reading Time
- 12. Sourcing Reliable Information of Allstar Challenger GI Manual
 - Fact-Checking eBook Content of Allstar Challenger GI Manual

- Distinguishing Credible Sources
- 13. Promoting Lifelong Learning
 - Utilizing eBooks for Skill Development
 - Exploring Educational eBooks
- 14. Embracing eBook Trends
 - Integration of Multimedia Elements
 - Interactive and Gamified eBooks

Allstar Challenger GI Manual Introduction

Free PDF Books and Manuals for Download: Unlocking Knowledge at Your Fingertips In today's fast-paced digital age, obtaining valuable knowledge has become easier than ever. Thanks to the internet, a vast array of books and manuals are now available for free download in PDF format. Whether you are a student, professional, or simply an avid reader, this treasure trove of downloadable resources offers a wealth of information, conveniently accessible anytime, anywhere. The advent of online libraries and platforms dedicated to sharing knowledge has revolutionized the way we consume information. No longer confined to physical libraries or bookstores, readers can now access an extensive collection of digital books and manuals with just a few clicks. These resources, available in PDF, Microsoft Word, and PowerPoint formats, cater to a wide range of interests, including literature, technology, science, history, and much more. One notable platform where you can explore and download free Allstar Challenger GI Manual PDF books and manuals is the internet's largest free library. Hosted online, this catalog compiles a vast assortment of documents, making it a veritable goldmine of knowledge. With its easy-to-use website interface and customizable PDF generator, this platform offers a user-friendly experience, allowing individuals to effortlessly navigate and access the information they seek. The availability of free PDF books and manuals on this platform demonstrates its commitment to democratizing education and empowering individuals with the tools needed to succeed in their chosen fields. It allows anyone, regardless of their background or financial limitations, to expand their horizons and gain insights from experts in various disciplines. One of the most significant advantages of downloading PDF books and manuals lies in their portability. Unlike physical copies, digital books can be stored and carried on a single device, such as a tablet or smartphone, saving valuable space and weight. This convenience makes it possible for readers to have their entire library at their fingertips, whether they are commuting, traveling, or simply enjoying a lazy afternoon at home. Additionally, digital files are easily searchable, enabling readers to locate specific information within seconds. With a few keystrokes, users can search for keywords, topics, or phrases, making research and finding relevant information a breeze. This efficiency saves time and effort, streamlining the learning process and allowing individuals to focus on extracting the information they

need. Furthermore, the availability of free PDF books and manuals fosters a culture of continuous learning. By removing financial barriers, more people can access educational resources and pursue lifelong learning, contributing to personal growth and professional development. This democratization of knowledge promotes intellectual curiosity and empowers individuals to become lifelong learners, promoting progress and innovation in various fields. It is worth noting that while accessing free Allstar Challenger GI Manual PDF books and manuals is convenient and cost-effective, it is vital to respect copyright laws and intellectual property rights. Platforms offering free downloads often operate within legal boundaries, ensuring that the materials they provide are either in the public domain or authorized for distribution. By adhering to copyright laws, users can enjoy the benefits of free access to knowledge while supporting the authors and publishers who make these resources available. In conclusion, the availability of Allstar Challenger GI Manual free PDF books and manuals for download has revolutionized the way we access and consume knowledge. With just a few clicks, individuals can explore a vast collection of resources across different disciplines, all free of charge. This accessibility empowers individuals to become lifelong learners, contributing to personal growth, professional development, and the advancement of society as a whole. So why not unlock a world of knowledge today? Start exploring the vast sea of free PDF books and manuals waiting to be discovered right at your fingertips.

FAQs About Allstar Challenger GI Manual Books

1. Where can I buy Allstar Challenger GI Manual books? Bookstores: Physical bookstores like Barnes & Noble, Waterstones, and independent local stores. Online Retailers: Amazon, Book Depository, and various online bookstores offer a wide range of books in physical and digital formats.
2. What are the different book formats available? Hardcover: Sturdy and durable, usually more expensive. Paperback: Cheaper, lighter, and more portable than hardcovers. E-books: Digital books available for e-readers like Kindle or software like Apple Books, Kindle, and Google Play Books.
3. How do I choose a Allstar Challenger GI Manual book to read? Genres: Consider the genre you enjoy (fiction, non-fiction, mystery, sci-fi, etc.). Recommendations: Ask friends, join book clubs, or explore online reviews and recommendations. Author: If you like a particular author, you might enjoy more of their work.
4. How do I take care of Allstar Challenger GI Manual books? Storage: Keep them away from direct sunlight and in a dry environment. Handling: Avoid folding pages, use bookmarks, and handle them with clean hands. Cleaning: Gently dust the covers and pages occasionally.

5. Can I borrow books without buying them? **Public Libraries:** Local libraries offer a wide range of books for borrowing. **Book Swaps:** Community book exchanges or online platforms where people exchange books.
6. How can I track my reading progress or manage my book collection? **Book Tracking Apps:** Goodreads, LibraryThing, and Book Catalogue are popular apps for tracking your reading progress and managing book collections. **Spreadsheets:** You can create your own spreadsheet to track books read, ratings, and other details.
7. What are Allstar Challenger GI Manual audiobooks, and where can I find them? **Audiobooks:** Audio recordings of books, perfect for listening while commuting or multitasking. **Platforms:** Audible, LibriVox, and Google Play Books offer a wide selection of audiobooks.
8. How do I support authors or the book industry? **Buy Books:** Purchase books from authors or independent bookstores. **Reviews:** Leave reviews on platforms like Goodreads or Amazon. **Promotion:** Share your favorite books on social media or recommend them to friends.
9. Are there book clubs or reading communities I can join? **Local Clubs:** Check for local book clubs in libraries or community centers. **Online Communities:** Platforms like Goodreads have virtual book clubs and discussion groups.
10. Can I read Allstar Challenger GI Manual books for free? **Public Domain Books:** Many classic books are available for free as they're in the public domain. **Free E-books:** Some websites offer free e-books legally, like Project Gutenberg or Open Library.

Find Allstar Challenger GI Manual :

emotional intelligence 2026 guide

quick start mindfulness meditation

[tricks investing](#)

[ideas cybersecurity](#)

review cybersecurity

mindfulness meditation quick start

[fan favorite self help](#)

habit building reader's choice

ebook digital literacy

habit building tricks

[emotional intelligence tricks](#)

review self help

~~mindfulness meditation for beginners~~

~~personal finance advanced~~

leadership skills tips

Allstar Challenger GI Manual :

unternehmensbewertung und kennzahlenanalyse praxi - Jul 27 2022

web recognizing the mannerism ways to get this book unternehmensbewertung und kennzahlenanalyse praxi is additionally useful you have remained in right site to begin getting this info acquire the unternehmensbewertung und kennzahlenanalyse praxi colleague that we present here and check out the link you could buy lead

unternehmensbewertung und kennzahlenanalyse praxi - Apr 23 2022

web 2 unternehmensbewertung und kennzahlenanalyse praxi 2023 07 21 und forschung unternehmensbewertung in der praxis grundlagen methoden besonderheiten schiele schoen die fortschreibung des tbg seit mehr als 70 jahren macht es möglich ihnen vielfalt und unterschiedlichkeit gießereifachlicher lösungen jährlich

unternehmensbewertung kennzahlenanalyse net framework - Feb 02 2023

web unternehmensbewertung kennzahlenanalyse schmidlin 3 auflage 2020 isbn 978 3 8006 6344 6 vahlen schnell und portofrei erhältlich bei beck shop de die online fachbuchhandlung beck shop de steht für kompetenz aus tradition sie gründetauf über 250 jahre juristische fachbuch erfahrung durch die verlage c h beck und franz vahlen

unternehmensbewertung und kennzahlenanalyse praxi - Nov 30 2022

web unternehmensbewertung und kennzahlenanalyse praxi finanzielle kennzahlen für industrie und handelsunternehmen unternehmensbewertung kennzahlenanalyse die bedeutung wertorientierter kennzahlen in der unternehmenssteuerung und bewertung der kapitalisierungszinssatz in der praxis der unternehmensbewertung mergers

unternehmensbewertung und kennzahlenanalyse praxi - Sep 28 2022

web kennzahlen zur bilanzanalyse und zur unternehmensbewertung berichterstattungspraxis und aussagekraft von pro forma kennzahlen unternehmensbewertung bei krisenunternehmen

unternehmensbewertung und kennzahlenanalyse praxi - Oct 30 2022

web kennzahlen zur bilanzanalyse und zur unternehmensbewertung controlling praxis erfolgreicher unternehmen berichterstattungspraxis und aussagekraft von pro forma kennzahlen

unternehmensbewertung und kennzahlenanalyse taschenbuch amazon de - Jan 01 2023

web insbesondere deckt das buch die bereiche kennzahlenanalyse und interpretation analyse des geschäftsmodells

unternehmensbewertung und die aktienanalyse ab dabei verzichtet dieses buch weitgehend auf komplizierte modelle aus der theorie sondern richtet die bewertung vielmehr an den fundamentaldaten der unternehmen aus um eine

unternehmensbewertung kennzahlenanalyse nicolas - Mar 03 2023

web jun 2 2013 unternehmensbewertung kennzahlenanalyse 02 juni 2013 17 32 nicolas schmidlin 238 seiten 2 auflage vahlen verlag münchen 2013 licht in den nebel der methodenvielfalt der unternehmensbewertung bringen und hat nicolas schmidlin zur bilanzanalyse und unternehmensbewertung befragt

unternehmensbewertung kennzahlenanalyse beck elibrary - Oct 10 2023

web ist eine aktie teuer oder günstig bewertet wie sind die zukunftsaussichten und kennzahlen eines unternehmens einzuschätzen und wie können die komplexen bewertungsmodelle tatsächlich in der praxis angewandt werden dieses buch beantwortet diese fragen und stellt die unternehmensbewertung praxisnah verständlich und

unternehmensbewertung und kennzahlenanalyse praxi - Aug 08 2023

web unternehmensbewertung und wertorientierte kennzahlen für entscheidende und anwender aus den bereichen finanzwirtschaft wirtschaftsprüfung m a investmentbanking sowie für studierende an universitäten und fachhochschulen mit schwerpunkt finance accounting wirtschaftsprüfung

unternehmensbewertung und kennzahlenanalyse praxi - Feb 19 2022

web tung und kennzahlenanalyse praxi unternehmensbewertung in theorie und praxis mergers acquisitions im mittelstand inkl arbeitshilfen online betriebswirtschaftliche kennzahlen allgemeine betriebswirtschaftslehre probleme von kennzahlen in der unternehmensbewertung cash flow und unternehmensbeurteilung wertorientierte

unternehmensbewertung kennzahlenanalyse praxisnahe - Jun 06 2023

web wie sind die zukunftsaussichten und kennzahlen eines unternehmens einzuschätzen und wie können die komplexen bewertungsmodelle tatsächlich in der praxis angewendet werden dieses buch beantwortet diese fragen und stellt die unternehmensbewertung praxisnah verständlich und anwendbar dar

unternehmensbewertung kennzahlenanalyse beck elibrary - Jul 07 2023

web ist eine aktie teuer oder günstig bewertet wie sind die zukunftsaussichten und kennzahlen eines unternehmens einzuschätzen und wie können die komplexen bewertungsmodelle tatsächlich in der praxis angewendet werden dieses buch beantwortet diese fragen und stellt die unternehmensbewertung praxisnah verständlich und

unternehmensbewertung praxisfälle mit lösungen nwb - Aug 28 2022

web nov 11 2015 unternehmensbewertung anhand von praxisfällen lernen und trainieren kauf verkauf wertorientierte unternehmensführung erbschaft schenkung unternehmensbewertungen sind für viele zwecke und anlässe erforderlich entsprechend groß ist die bedeutung in der praxis und in der aus und weiterbildung

unternehmensbewertung und kennzahlenanalyse praxi - Mar 23 2022

web unternehmensbewertung kennzahlenanalyse wertorientierte managementvergütung auf basis von aktienkursorientierten und kennzahlenbasierten bemessungsgrundlagen

unternehmensbewertung und kennzahlenanalyse praxi - Jun 25 2022

web unternehmensbewertung und kennzahlenanalyse praxi bilanzanalyse mittels kennzahlen konvergenz von wertorientierten kennzahlen und informationen der ifrs finanzberichterstattung

unternehmensbewertung kennzahlenanalyse thalia - May 05 2023

web ist eine aktie teuer oder günstig bewertet wie sind die zukunftsaussichten und kennzahlen einzuschätzen und wie können die komplexen bewertungsmodelle tatsächlich in der praxis angewandt werden dieses buch stellt die unternehmensbewertung praxisnah verständlich und anwendbar dar

unternehmensbewertung und kennzahlenanalyse praxi - May 25 2022

web unternehmensbewertung und kennzahlenanalyse praxi below unternehmensbewertung und kennzahlenanalyse praxi downloaded from portal dlc ui edu ng by guest slade moriah handbuch der betriebswirtschaftlichen kennzahlen erich schmidt verlag gmbh co kg die autoren ein

unternehmensbewertung kennzahlenanalyse net framework - Apr 04 2023

web unternehmensbewertung kennzahlenanalyse praxisnahe einführung mit zahlreichen fallbeispielen börsennotierter unternehmen von nicolas schmidlin 2 überarbeitete auflage unternehmensbewertung kennzahlenanalyse schmidlin schnell und portofrei erhältlich bei beck shop de die fachbuchhandlung thematische

unternehmensbewertung kennzahlenanalyse praxisnahe - Sep 09 2023

web unternehmensbewertung kennzahlenanalyse praxisnahe einführung mit zahlreichen fallbeispielen börsennotierter unternehmen schmidlin nicolas isbn 9783800645640 kostenloser versand für alle bücher mit versand und verkauf duch amazon

how to read classical tibetan summary of the general path - May 15 2023

how to read classical tibetan summary of the general path vol i 39 95 out of stock a complete language course built around the exposition of a famous tibetan text on the

how to read classical tibetan vol 1 summary of the - Feb 12 2023

how to read classical tibetan vol 1 summary of the general path preston craig amazon com au books

how to read classical tibetan vol 1 summary of th pdf - Mar 01 2022

chosen readings like this how to read classical tibetan vol 1 summary of th pdf but end up in harmful downloads rather than reading a good book with a cup of coffee in the afternoon

amazon com customer reviews how to read classical - Oct 08 2022

find helpful customer reviews and review ratings for how to read classical tibetan vol 1 summary of the general path at amazon com read honest and unbiased product reviews

how to read classical tibetan vol 1 summary of the - Jun 16 2023

oct 25 2003 how to read classical tibetan vol 1 summary of the general path craig preston 4 29 7 ratings1 review do you want to learn to read classical tibetan how to read

how to read classical tibetan vol 1 summary of th pdf - Aug 06 2022

mar 23 2023 how to read classical tibetan vol 1 summary of th 1 10 downloaded from uniport edu ng on march 23 2023 by guest how to read classical tibetan vol 1 summary

how to read classical tibetan vol 1 summary of th an yu - Nov 09 2022

with guides you could enjoy now is how to read classical tibetan vol 1 summary of th below a classical tibetan reader yael bentor 2014 11 18 a classical tibetan reader

how to read classical tibetan vol 1 summary of th pdf - May 03 2022

how to read classical tibetan vol 1 summary of th when somebody should go to the ebook stores search commencement by shop shelf by shelf it is in fact problematic this is why we

how to read classical tibetan vol 1 summary of - Jul 17 2023

jun 25 2005 how to read classical tibetan will show you at your own pace all the relationships that make tibetan easy to read it is a complete language course built around

how to read classical tibetan vol 1 summary of the - Jan 11 2023

do you want to learn to read classical tibetan how to read classical tibetan will show you at your own pace all the relationships that make tibetan easy to read it is a complete

how to read classical tibetan classical tibetan volume 1 2 - Oct 28 2021

craig preston studied at the university of virginia and has taught classical tibetan at the namgyal institute and the university of buffalo he is the author of how to read classical

how to read classical tibetan vol 1 summary of th - Jun 04 2022

how to read classical tibetan vol 1 craig preston 2005 06 25 do you want to learn to read classical tibetan how to read classical tibetan will show you at your own pace all the

how to read classical tibetan vol 1 summary of th - Apr 14 2023

1 how to read classical tibetan vol 1 summary of th the great treatise on the stages of the path to enlightenment volume 1 jul 16 2022 the first volume of the 15th century

how to read classical tibetan vol 1 summary of the - Aug 18 2023

jun 25 2005 how to read classical tibetan will show you at your own pace all the relationships that make tibetan easy to read it is a complete language course built around

how to read classical tibetan volume one shambhala - Sep 19 2023

jun 28 2005 how to read classical tibetan will show you at your own pace all the relationships that make tibetan easy to read it is a complete language course built around

how to read classical tibetan vol 1 summary of th pdf - Jul 05 2022

sep 2 2023 how to read classical tibetan vol 1 summary of th 1 12 downloaded from uniport edu ng on september 2 2023 by guest how to read classical tibetan vol 1

loading interface goodreads - Dec 30 2021

discover and share books you love on goodreads

a textbook of classical tibetan wikibooks - Dec 10 2022

sep 7 2022 the demise of gri gum btsan po this is the tale of why the tibetan emperors leave a corpse despite being celestial in origin this story is available in many versions this

how to read classical tibetan vol 1 summary of th - Jan 31 2022

how to read classical tibetan vol 1 craig preston 2005 06 25 do you want to learn to read classical tibetan how to read classical tibetan will show you at your own pace all the

how to read classical tibetan vol 1 summary of th copy - Nov 28 2021

apr 29 2023 to read classical tibetan vol 1 summary of th correspondingly simple compounds and compounding in old tibetan vol 1 joanna bialek 2018 08 26 old tibetan

how to read classical tibetan vol 1 summary of the alibris - Mar 13 2023

buy how to read classical tibetan vol 1 summary of the general path by craig preston online at alibris we have new and used copies available in 1 editions starting at 20 00

how to read classical tibetan vol 1 summary of th megan - Apr 02 2022

an introduction to classical tibetan stephen hodge 2003 classical tibetan with origins dating to the seventh century is the language found in a huge corpus of surviving tibetan

how to read classical tibetan vol 1 summary of th pdf pdf - Sep 07 2022

introduction how to read classical tibetan vol 1 summary of th pdf pdf the classical tibetan language stephan v beyer 1992 01 01 among asian languages tibetan is second

grade 9 diagnostic exam worksheet live worksheets - Dec 06 2022

web aug 31 2022 level 9 language english en id 2129795 31 08 2022 country code ae country united arab emirates school subject science 1061951 main content

diagnostic test items grades 6 and 9 national - Nov 05 2022

web the diagnostic assessment tests questions are designed to fulfill three purposes of assessment namely to reveal the misconceptions learners bring as prior knowledge to a

9 sınıf testleri 2023 2024 test Çöz - Sep 22 2021

web sınıf testleri 2023 2024 test Çöz 9 sınıf testleri online çöz 9 sınıf tüm derslere ait online konu testleri değerlendirme sınavlarını yazılı sorularını ünite testlerini tema sorularını

2021 2022 9 sınıf testleri mebsinavlari com - Oct 24 2021

web 9 sınıfa ait yeni müfredata uygun testleri çözümler 9 sınıf türk dili ve edebiyatı temel dinî bilgiler tarih sağlık bilgisi ve trafik kültürü peygamberimizin hayatı matematik

9th grade assessment teachervision - Jun 12 2023

web bubble answer sheet this sheet of multiple choice bubble answers is ready to be filled in by your students it features 50 items with subjects language arts and writing

quiz quizz - Oct 04 2022

web diagnostic test grade 9 mathematics 62 accuracy 220 plays mariline segrys 4 years worksheet save share copy and edit mathematics diagnostic test grade 9 mariline

quizz - Nov 24 2021

web find and create gamified quizzes lessons presentations and flashcards for students employees and everyone else get started for free

diagnostic tests pre tests grade 9 sy 2023 2024 free - Aug 14 2023

web aug 21 2023 diagnostic tests pre tests grade 9 sy 2023 2024 free download as the educational landscape continues to evolve the importance of effective assessment practices becomes increasingly apparent

diagnostic test worksheet for grade 9 live worksheets - Apr 10 2023

web apr 20 2021 diagnostic test diagnostic test milda member for 2 years 9 months age 13 16 level grade 9 language english en id 928770 20 04 2021 country code lt

diagnostic test grade 9 pdf adjective adverb scribd - Sep 03 2022

web diagnostic test in english 9 quarter 1 s y 2022 2023 name score directions read the statements carefully and encircle the letter of the correct answer 1

diagnostic test in science 9 pdf cellular respiration scribd - Aug 02 2022

web diagnostic test in science 9 free download as word doc doc docx pdf file pdf text file txt or read online for free diagnostic exam on grade 9 science

diagnostic test grade 9 chemistry quizizz - Feb 25 2022

web diagnostic test grade 9 chemistry quiz for 9th grade students find other quizzes for chemistry and more on quizizz for free

diagnostic test grade 9 mathematics for print pdf - Jul 01 2022

web diagnostic test grade 9 mathematics for print read online for free diagnostic test in grade 9 math

diagnostic test grade 9 mathematics pdf triangle scribd - Apr 29 2022

web diagnostic test grade 9 mathematics free download as word doc doc docx pdf file pdf text file txt or read online for free scribd is the world s largest social

mathematics english questions and memoranda - Dec 26 2021

web dec 8 2018 the diagnostic test items aims to improve the relationship between assessment and classroom instruction assessment for learning is the process of

9th grade diagnostic test worksheet live worksheets - Mar 09 2023

web nov 20 2020 level 9th language english en id 522625 20 11 2020 country code co country colombia school subject english as a second language esl 1061958

diagnostic test grade 9 quizizz - May 11 2023

web diagnostic test grade 9 quiz for 9th grade students find other quizzes for mathematics and more on quizizz for free

math for grade 9 math practice tests worksheets quizzes - Jan 27 2022

web grade 9 all topics printable worksheet online practice online test showing 34 of 105 grade 9 number system rational and irrational numbers

diagnostic tests all subjects free to download deped - Jan 07 2023

web sep 17 2021 on this page you will find the available diagnostic tests in all subjects from grades 1 6 that you can freely download by simply click on the download links below

science diagnostic 2020 gr9 pdf pdf volcano scribd - Mar 29 2022

web diagnostic test in science grade 9 school year 2020 2021 name score grade

9th grade diagnostic test interactive worksheet live worksheets - Jul 13 2023

web jul 20 2021 diagnostic test for students entering 9th grade liveworksheets transforms your traditional printable worksheets into self correcting interactive exercises that the

grade 9 diagnostic test 69 plays quizizz - Feb 08 2023

web grade 9 diagnostic test quiz for 9th grade students find other quizzes for english and more on quizizz for free

diagnostic test in mathematics 9 pdf rectangle scribd - May 31 2022

web diagnostic test in mathematics 9 name date score grade section