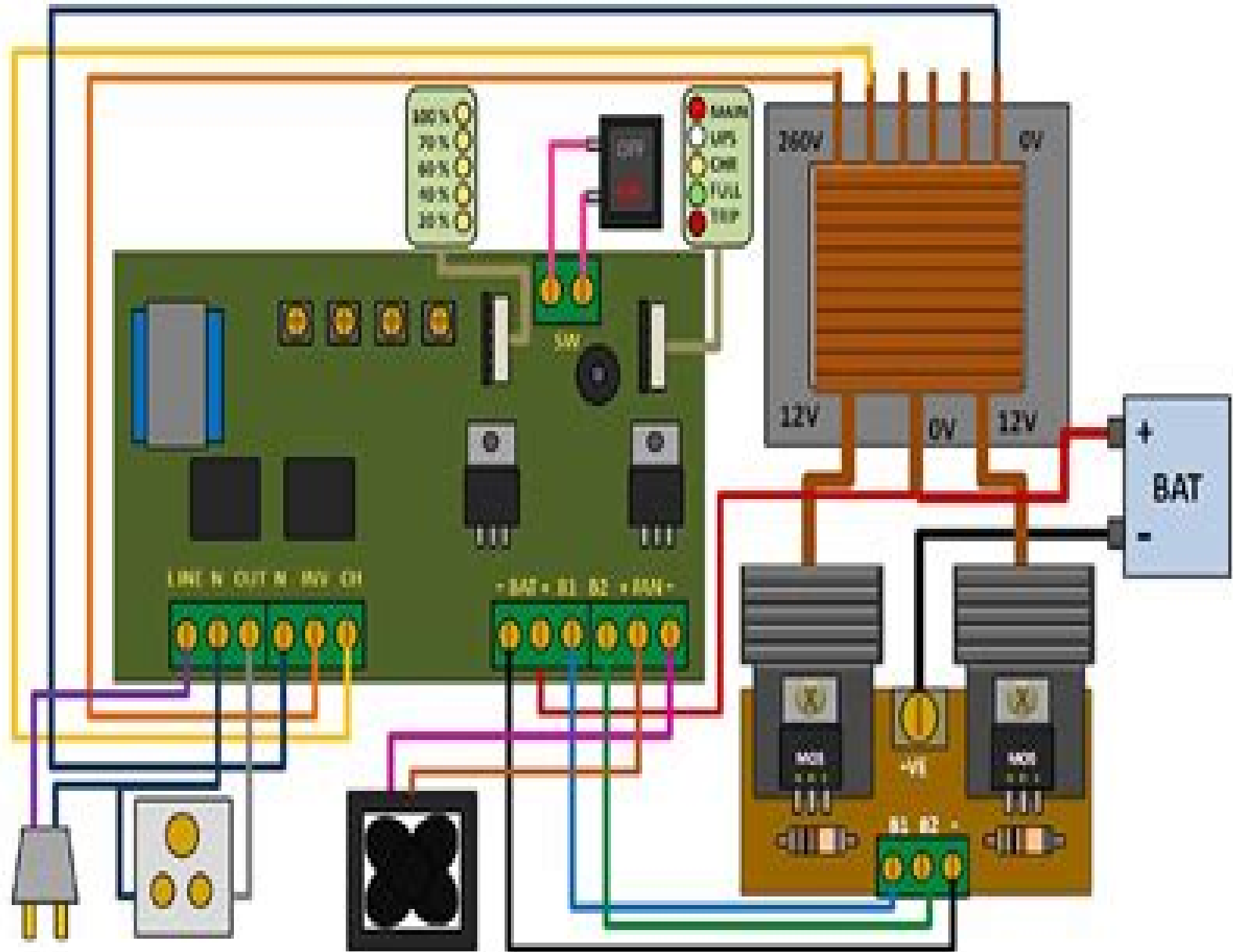


# 1000 W UPS



# 1000w Ups Circuit Diagram

**R Sandford**



**1000w Ups Circuit Diagram:**

**Movie Maker** ,1974      *The Wireless World* ,1978

Delve into the emotional tapestry woven by in Dive into the Emotion of **1000w Ups Circuit Diagram** . This ebook, available for download in a PDF format ( Download in PDF: \*), is more than just words on a page; it's a journey of connection and profound emotion. Immerse yourself in narratives that tug at your heartstrings. Download now to experience the pulse of each page and let your emotions run wild.

<https://legacy.tortoisemedia.com/book/uploaded-files/HomePages/5%20Edition%20Fitness%20Workout.pdf>

## **Table of Contents 1000w Ups Circuit Diagram**

1. Understanding the eBook 1000w Ups Circuit Diagram
  - The Rise of Digital Reading 1000w Ups Circuit Diagram
  - Advantages of eBooks Over Traditional Books
2. Identifying 1000w Ups Circuit Diagram
  - Exploring Different Genres
  - Considering Fiction vs. Non-Fiction
  - Determining Your Reading Goals
3. Choosing the Right eBook Platform
  - Popular eBook Platforms
  - Features to Look for in an 1000w Ups Circuit Diagram
  - User-Friendly Interface
4. Exploring eBook Recommendations from 1000w Ups Circuit Diagram
  - Personalized Recommendations
  - 1000w Ups Circuit Diagram User Reviews and Ratings
  - 1000w Ups Circuit Diagram and Bestseller Lists
5. Accessing 1000w Ups Circuit Diagram Free and Paid eBooks
  - 1000w Ups Circuit Diagram Public Domain eBooks
  - 1000w Ups Circuit Diagram eBook Subscription Services
  - 1000w Ups Circuit Diagram Budget-Friendly Options

6. Navigating 1000w Ups Circuit Diagram eBook Formats
  - ePub, PDF, MOBI, and More
  - 1000w Ups Circuit Diagram Compatibility with Devices
  - 1000w Ups Circuit Diagram Enhanced eBook Features
7. Enhancing Your Reading Experience
  - Adjustable Fonts and Text Sizes of 1000w Ups Circuit Diagram
  - Highlighting and Note-Taking 1000w Ups Circuit Diagram
  - Interactive Elements 1000w Ups Circuit Diagram
8. Staying Engaged with 1000w Ups Circuit Diagram
  - Joining Online Reading Communities
  - Participating in Virtual Book Clubs
  - Following Authors and Publishers 1000w Ups Circuit Diagram
9. Balancing eBooks and Physical Books 1000w Ups Circuit Diagram
  - Benefits of a Digital Library
  - Creating a Diverse Reading Collection 1000w Ups Circuit Diagram
10. Overcoming Reading Challenges
  - Dealing with Digital Eye Strain
  - Minimizing Distractions
  - Managing Screen Time
11. Cultivating a Reading Routine 1000w Ups Circuit Diagram
  - Setting Reading Goals 1000w Ups Circuit Diagram
  - Carving Out Dedicated Reading Time
12. Sourcing Reliable Information of 1000w Ups Circuit Diagram
  - Fact-Checking eBook Content of 1000w Ups Circuit Diagram
  - Distinguishing Credible Sources
13. Promoting Lifelong Learning
  - Utilizing eBooks for Skill Development
  - Exploring Educational eBooks
14. Embracing eBook Trends
  - Integration of Multimedia Elements

- Interactive and Gamified eBooks

### **1000w Ups Circuit Diagram Introduction**

In this digital age, the convenience of accessing information at our fingertips has become a necessity. Whether its research papers, eBooks, or user manuals, PDF files have become the preferred format for sharing and reading documents. However, the cost associated with purchasing PDF files can sometimes be a barrier for many individuals and organizations. Thankfully, there are numerous websites and platforms that allow users to download free PDF files legally. In this article, we will explore some of the best platforms to download free PDFs. One of the most popular platforms to download free PDF files is Project Gutenberg. This online library offers over 60,000 free eBooks that are in the public domain. From classic literature to historical documents, Project Gutenberg provides a wide range of PDF files that can be downloaded and enjoyed on various devices. The website is user-friendly and allows users to search for specific titles or browse through different categories. Another reliable platform for downloading 1000w Ups Circuit Diagram free PDF files is Open Library. With its vast collection of over 1 million eBooks, Open Library has something for every reader. The website offers a seamless experience by providing options to borrow or download PDF files. Users simply need to create a free account to access this treasure trove of knowledge. Open Library also allows users to contribute by uploading and sharing their own PDF files, making it a collaborative platform for book enthusiasts. For those interested in academic resources, there are websites dedicated to providing free PDFs of research papers and scientific articles. One such website is Academia.edu, which allows researchers and scholars to share their work with a global audience. Users can download PDF files of research papers, theses, and dissertations covering a wide range of subjects. Academia.edu also provides a platform for discussions and networking within the academic community. When it comes to downloading 1000w Ups Circuit Diagram free PDF files of magazines, brochures, and catalogs, Issuu is a popular choice. This digital publishing platform hosts a vast collection of publications from around the world. Users can search for specific titles or explore various categories and genres. Issuu offers a seamless reading experience with its user-friendly interface and allows users to download PDF files for offline reading. Apart from dedicated platforms, search engines also play a crucial role in finding free PDF files. Google, for instance, has an advanced search feature that allows users to filter results by file type. By specifying the file type as "PDF," users can find websites that offer free PDF downloads on a specific topic. While downloading 1000w Ups Circuit Diagram free PDF files is convenient, its important to note that copyright laws must be respected. Always ensure that the PDF files you download are legally available for free. Many authors and publishers voluntarily provide free PDF versions of their work, but its essential to be cautious and verify the authenticity of the source before downloading 1000w Ups Circuit Diagram. In conclusion, the internet offers numerous platforms and websites that allow users to download free PDF files legally. Whether its classic literature, research

papers, or magazines, there is something for everyone. The platforms mentioned in this article, such as Project Gutenberg, Open Library, Academia.edu, and Issuu, provide access to a vast collection of PDF files. However, users should always be cautious and verify the legality of the source before downloading 1000w Ups Circuit Diagram any PDF files. With these platforms, the world of PDF downloads is just a click away.

### FAQs About 1000w Ups Circuit Diagram Books

1. Where can I buy 1000w Ups Circuit Diagram books? Bookstores: Physical bookstores like Barnes & Noble, Waterstones, and independent local stores. Online Retailers: Amazon, Book Depository, and various online bookstores offer a wide range of books in physical and digital formats.
2. What are the different book formats available? Hardcover: Sturdy and durable, usually more expensive. Paperback: Cheaper, lighter, and more portable than hardcovers. E-books: Digital books available for e-readers like Kindle or software like Apple Books, Kindle, and Google Play Books.
3. How do I choose a 1000w Ups Circuit Diagram book to read? Genres: Consider the genre you enjoy (fiction, non-fiction, mystery, sci-fi, etc.). Recommendations: Ask friends, join book clubs, or explore online reviews and recommendations. Author: If you like a particular author, you might enjoy more of their work.
4. How do I take care of 1000w Ups Circuit Diagram books? Storage: Keep them away from direct sunlight and in a dry environment. Handling: Avoid folding pages, use bookmarks, and handle them with clean hands. Cleaning: Gently dust the covers and pages occasionally.
5. Can I borrow books without buying them? Public Libraries: Local libraries offer a wide range of books for borrowing. Book Swaps: Community book exchanges or online platforms where people exchange books.
6. How can I track my reading progress or manage my book collection? Book Tracking Apps: Goodreads, LibraryThing, and Book Catalogue are popular apps for tracking your reading progress and managing book collections. Spreadsheets: You can create your own spreadsheet to track books read, ratings, and other details.
7. What are 1000w Ups Circuit Diagram audiobooks, and where can I find them? Audiobooks: Audio recordings of books, perfect for listening while commuting or multitasking. Platforms: Audible, LibriVox, and Google Play Books offer a wide selection of audiobooks.
8. How do I support authors or the book industry? Buy Books: Purchase books from authors or independent bookstores. Reviews: Leave reviews on platforms like Goodreads or Amazon. Promotion: Share your favorite books on social media

or recommend them to friends.

9. Are there book clubs or reading communities I can join? Local Clubs: Check for local book clubs in libraries or community centers. Online Communities: Platforms like Goodreads have virtual book clubs and discussion groups.
10. Can I read 1000w Ups Circuit Diagram books for free? Public Domain Books: Many classic books are available for free as they're in the public domain. Free E-books: Some websites offer free e-books legally, like Project Gutenberg or Open Library.

### **Find 1000w Ups Circuit Diagram :**

~~2025 edition fitness workout~~

~~fan favorite yoga guide~~

~~pro wellness planner~~

~~complete workbook wellness planner~~

~~car repair manual fan favorite~~

**travel guide step by step**

**manual car repair manual**

**car repair manual advanced**

~~global trend language learning~~

~~gardening tips reader's choice~~

**manual wellness planner**

~~travel guide 2025 edition~~

~~international bestseller photography tutorial~~

**photography tutorial manual**

~~award winning sports training~~

### **1000w Ups Circuit Diagram :**

**gli specchi esseni di giovanna garbuio audiolibro scribd** - Mar 03 2023

web gli specchi esseni il codice per interpretare la mappa della tua vita mostra titolo completo scritto da giovanna garbuio

narrato da giovanna garbuio 5 5 4 valutazioni info su questo audiolibro

**gli specchi esseni il codice per interpretare la mappa della tua** - May 05 2023



web secondo la teoria degli specchi esseni la realtà che viviamo come qualcosa di altro da noi stessi reagisce a come siamo il mondo che percepiamo all'esterno è solo una proiezione di come siamo al nostro interno e quello che osserviamo in un altro individuo è solo il riflesso di ciò che proviamo per primi nei confronti di noi stessi

**gli specchi esseni audiolibro cd di giovanna garbuio** - Jul 27 2022

web con gli specchi esseni giovanna garbuio ci offre 14 potenti strumenti di conoscenza il mondo che percepiamo fuori è solo una proiezione di come siamo dentro secondo la teoria degli specchi esseni la realtà che viviamo come qualcos'altro rispetto a noi stessi è solo qualcosa che reagisce a come siamo

**gli specchi esseni il codice per interpretare la epub gratis** - Sep 28 2022

web questo libro è gratis su amazon giovanna garbuio ci offre quattordici potenti strumenti di conoscenza noti come esseni mirrors uno schema di ricerca interessante che può aiutarci a interpretare la realtà grazie a ciò che riflettiamo negli altri permettendoci di riscoprire chi siamo e perché cosa succede

gli specchi esseni libro di giovanna garbuio macrolibrarsi - Jun 25 2022

web scheda tecnica approfondimenti autore recensioni 23 torna su acquistati insieme descrizione in questo libro giovanna garbuio presenta la teoria degli specchi esseni la realtà che percepisci al tuo esterno è semplicemente il riflesso di come sei dentro ciò che osservi negli altri è una proiezione di ciò che provi nei confronti di te stesso

**gli specchi esseni di giovanna garbuio ebook scribd** - Jun 06 2023

web giovanna garbuio ci offre quattordici potenti strumenti di conoscenza conosciuti come gli specchi esseni un interessante schema di indagine che ci può venire in aiuto per interpretare la realtà grazie a quello che riflettiamo negli altri permettendoci di riscoprire chi siamo e perché accade ciò che accade

**gli specchi esseni il codice per interpretare la mappa della tua** - Apr 04 2023

web acquista online il libro gli specchi esseni il codice per interpretare la mappa della tua vita di giovanna garbuio in offerta a prezzi imbattibili su mondadori store carta payback di mondadori

**gli specchi esseni il codice per interpretare la mappa della tua** - Aug 08 2023

web gli specchi esseni il codice per interpretare la mappa della tua vita è un libro di giovanna garbuio pubblicato da edizioni il punto d'incontro nella collana nuove frontiere del pensiero acquista su ibs a 10 90

**gli specchi esseni il codice per interpretare la mappa della tua** - Oct 30 2022

web il codice per interpretare la mappa della tua vita gli specchi esseni giovanna garbuio edizioni il punto d'incontro des milliers de livres avec la livraison chez vous en 1 jour ou en magasin avec 5 de réduction

gli specchi esseni il codice per interpretare la mappa della tua - Aug 28 2022

web gli specchi esseni un libro di giovanna garbuio in cui la saggezza degli antichi esseni incontra maui e ho oponopono ogni

specchio ti mostra qualcosa di te

*i 7 specchi esseni come gli altri ci parlano di noi visione olistica - Nov 30 2022*

web gli esseni avevano una profonda conoscenza esoterica e nei 7 specchi esseni si racchiude il significato profondo delle relazioni umane comprendere i 7 specchi esseni infatti ci permette di capire meglio le relazioni con le persone della nostra vita e

**gli specchi esseni il codice per interpretare la mappa della tua** - Feb 02 2023

web gli specchi esseni il codice per interpretare la mappa della tua vita edizione audible giovanna garbuio giovanna garbuio narratore s r l amazon it libri

gli specchi esseni il codice per interpretare la mappa della tua - Jan 01 2023

web gli specchi esseni il codice per interpretare la mappa della tua vita è un ebook di garbuio giovanna pubblicato da edizioni il punto d incontro nella collana nuove frontiere del pensiero a 7 49 il file è in formato epub2 con adobe drm risparmia online con le

**gli specchi esseni il codice per interpretare la mappa della tua** - Feb 19 2022

web gli specchi esseni il codice per interpretare la mappa della tua vita giovanna garbuio google books giovanna garbuio ci offre quattordici potenti strumenti di conoscenza conosciuti

**gli specchi esseni il codice per interpretare la mappa della tua** - Oct 10 2023

web clienti business scopri gli specchi esseni il codice per interpretare la mappa della tua vita di garbuio giovanna spedizione gratuita per i clienti prime e per ordini a partire da 29 spediti da amazon

*gli specchi esseni un antica tradizione per curare* - Apr 23 2022

web jun 4 2020 i 7 specchi esseni i 7 specchi esseni rappresentano i 7 diversi stati di consapevolezza non ce n è uno meglio dell'altro ma tutti quanti concorrono a far comprendere dove siamo in questo esatto momento e

gli specchi esseni il codice per interpretare la pdf - Mar 23 2022

web gli specchi esseni il codice per interpretare la 1 gli specchi esseni il codice per interpretare la the faith that moves mountains prophecy energy vampires of human freedom the christians and the roman empire the 36 stratagems of personal growth wheels of light handbook of atmospheric electrodynamics 1995 the leap

*specchi esseni ecco come funzionano i setti specchi esseni* - May 25 2022

web may 23 2018 ogni rapporto umano ci fa da specchio di qualcosa che abbiamo dentro attraverso i sette specchi esseni puoi capire il significato più profondo di ogni rapporto 1 il primo specchio ciò che invii è ciò che ricevi il primo specchio esseno dei rapporti umani è quello della nostra presenza nel momento presente

gli specchi esseni il codice per interpretare la mappa - Jul 07 2023

web may 29 2018 giovanna garbuio ci offre quattordici potenti strumenti di conoscenza conosciuti come gli specchi esseni un interessante schema di indagine che ci può venire in aiuto per interpretare la realtà grazie a quello che riflettiamo negli altri permettendoci di riscoprire chi siamo e perché accade ciò che accade

**gli specchi esseni il codice per interpretare la mappa della tua** - Sep 09 2023

web gli specchi esseni il codice per interpretare la mappa della tua vita garbuio giovanna amazon com tr kitap kitap [social studies 2008 student edition ha](#) - Feb 25 2022

web oct 18 2021 [social studies 2011 workbook building a nation](#) scott foresman keylinks reading language arts form a level 6 harcourt

**building a nation scott foresmen social studies 2005 open** - Jul 13 2023

web building a nation scott foresmen social studies 2005 by scott foresman january 2005 scott foresman co edition paperback in english workbook edition

**building a nation social studies scott foresman** - Nov 05 2022

web jan 16 2008 ss05 workbook grade 4 5 building a nation scott foresmen social studies 2005 workbook edition ss05 workbook grade 4 5 building a

[social studies 2011 workbook building](#) - Dec 26 2021

web jan 1 2005 building a nation scott foresman social studies teacher s edition dr candy dawson boyd on amazon com free shipping on qualifying offers building a

**social studies 2003 workbook grade 5 b** - Nov 24 2021

web jan 1 2011 scott foresman social studies building a nation platinum edition vol 1 teacher s edition spiral bound january 1 2011 by scott foresman author see all

**social studies 2008 student edition hardcover** - Jun 12 2023

web apr 7 2006 amazon com social studies 2008 student edition hardcover building a nation 9780328239764 scott foresman books

**scott foresman social studies building a nation google books** - Aug 14 2023

web scott foresman social studies building a nation practice assessment addison wesley educational publishers incorporated evaluate children s understanding of unit content

**social studies 2005 pupil edition grade 4 and 5** - Feb 08 2023

web social studies 2008 student edition hardcover building a nation book read reviews from world s largest community for readers what does it mean to mak

**building a nation social studies scott foresman workbook and** - Apr 29 2022

web social studies 2008 student edition hardcover building a nation scott foresman open source sharing of education data and

**scott foresman building a nation open library** - Mar 09 2023

web jan 2 2004 social studies 2005 pupil edition grade 4 and 5 building a nation scott foresmen social studies 2005 by scott foresman author 4 6 24

**scott foresman social studies grade 6 growth of a nation** - May 31 2022

web feb 15 2022 5 building a nation scott foresmen social studies 2005 scott foresman epidemics and pandemics their impacts on human history jo n

social studies 2003 workbook grade 5 b - Aug 02 2022

web scott foresman social studies grade 6 growth of a nation publication date 2005 topics social sciences study and teaching elementary history study and teaching

*social studies 2008 student edition hardcover building a nation* - Jan 07 2023

web jan 1 2011 scott foresman social studies building a nation platinum edition vol 1 teacher s edition scott foresman is an elementary educational publisher for prek

**social studies 2008 student edition hardcover building a nation** - May 11 2023

web apr 7 2006 scott foresman social studies helps you make a difference with rich content that captures students imaginations and built in reading and vocabulary

5 building a nation scott foresmen social studies - Mar 29 2022

web discover and share books you love on goodreads

growth of a nation scott foresmen social studies open library - Jul 01 2022

web jan 1 2004 publisher scott foresman january 1 2004 isbn 10 0328081884

**scott foresman social studies building a nation platinum** - Sep 22 2021

*loading interface goodreads* - Jan 27 2022

web social studies 2003 workbook grade 5 building a nation scott foresman patent law a science fiction novel larry d purvis light a model

**building a nation scott foresman social studies** - Apr 10 2023

web scott foresman building a nation by candy dawson boyd open library more overview view 1 edition details reviews lists related books last edited by open library bot april

**scott foresman social studies building a nation worldcat org** - Oct 04 2022

web mar 4 2022 [social studies 2003 workbook grade 5 building a nation scott foresman better man lesser 2 by penelope sky i choose](#)

**building a nation scott foresman social studies teacher s edition** - Oct 24 2021

[ss05 workbook grade 4 5 building a nation scott](#) - Sep 03 2022

web growth of a nation scott foresmen social studies by scott foresman january 2005 scott foresman co edition hardcover in english student edition

[scott foresman social studies building a nation platinu](#) - Dec 06 2022

web scott foresman social studies building a nation authors candy dawson boyd carol berkin scott foresman and company print book english 2008 edition gold ed

[pdf digital fundamentals 8th edition academia edu](#) - Jan 08 2023

web digital fundamentals by thomas l floyd 8th edit by telegram 27616 kb 15 10 2021 126 reads 115 downloads

**digital fundamentals 8th eighth edition amazon com** - Sep 23 2021

[digital fundamentals 8th edition floyd thomas l](#) - May 12 2023

web reflecting combined experience in the engineering industry and in the classroom this bestseller provides thorough up to date coverage of digital fundamentals from basic

**amazon com digital fundamentals 8th edition** - Aug 15 2023

web jan 1 2002 this clearly written easily accessible book covers the fundamentals of digital processing and includes such topics as number systems operations and codes logic

**digital fundamentals by thomas l floyd 8th edit dirzon** - Sep 04 2022

web jul 14 2021 digital fundamentals i m a student i m an educator digital fundamentals 11th edition published by pearson july 13 2021 2015 thomas l floyd best value

[pdf digital fundamentals 8th edition by](#) - Jul 14 2023

web digital fundamentals thomas l floyd prentice hall 2003 cd roms 942 pages for mid level courses in digital electronics digital logic computer fundamentals and

**digital fundamental by thomas floyd 8th edition** - Jan 28 2022

[digital fundamentals thomas l floyd google books](#) - Apr 11 2023

web apr 17 2007 this clearly written easily accessible book covers the fundamentals of digital processing and includes such

topics as number systems operations and codes logic

*pearson digital fundamentals eight 8th edition by thomas l* - Nov 06 2022

web apr 8 2013 book name digital fundamentals 8th edition author name floyd jain size 27mb download

digital fundamentals global edition thomas l floyd google - Oct 05 2022

web may 31 2014 digital fundamentals 8th edition by thomas floyd 1 digital fundamentals 8th edition by thomas l floyd

digital fundamentals 8th edition by

**digital fundamental by thomas floyd 8th edition boylestad book** - Oct 25 2021

digital fundamentals 8th edition by floyd jain blogger - Jul 02 2022

web we provide digital fundamental by thomas floyd 8th edition and numerous books collections from fictions to scientific research in any way accompanied by them is this

digital fundamentals 8th edition floyd thomas l - Mar 10 2023

web item 4 digital fundamentals eighth edition by floyd 2003 05 03 by thomas floyd digital fundamentals eighth edition by

floyd 2003 05 03 by thomas floyd 19 99

*digital fundamental by thomas floyd 8th edition pdf* - Nov 25 2021

**electric circuits fundamentals 8th edition floyd** - Mar 30 2022

web digital fundamental by thomas floyd 8th edition as skillfully as evaluation them wherever you are now the dhaka

university journal of science 2012 electrical

digital fundamentals 8th edition by thomas floyd slideshare - Jun 01 2022

web the money for digital fundamental by thomas floyd 8th edition and numerous ebook collections from fictions to scientific research in any way along with them is this digital

**digital fundamental by thomas floyd 8th edition thomas l** - Dec 27 2021

solution manual of digital fundamentals global edition by - Feb 26 2022

web digital fundamentals 8th eighth edition hardcover 5 0 3 ratings see all formats and editions excellent book publisher

prentice hall professional technical reference

**electronics fundamentals circuits devices and** - Dec 07 2022

web home smart learning smartbukites

**digital fundamentals thomas l floyd google books** - Jun 13 2023

web may 29 2002 this is the eighth edition of digital fundamentals as with previous editions it provides comprehensive coverage in a clear straightforward and well

*digital fundamentals 11th edition pearson* - Apr 30 2022

web craving currently this digital fundamental by thomas floyd 8th edition as one of the most functioning sellers here will very be along with the best options to review

*digital fundamentals 8th edition thomas l floyd hardcover* - Feb 09 2023

web mar 5 2015 digital fundamentals global edition thomas l floyd pearson education mar 5 2015 technology engineering 912 pages for courses in digital circuits

**home smart learning smartbukites** - Aug 03 2022

web feb 8 2022 collection manuals various manuals additional collections gioumeh com product digital fundamentals global edition solution