

Page Thumbnails



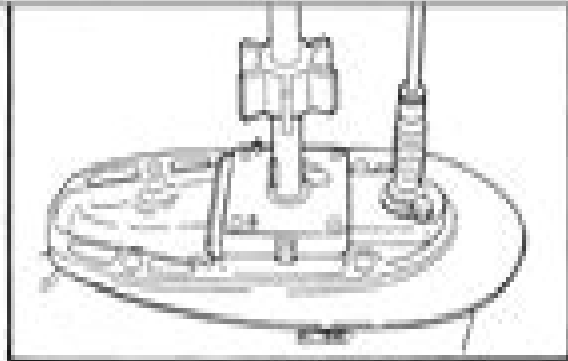
Thumbnail 1

Thumbnail 2

Thumbnail 3

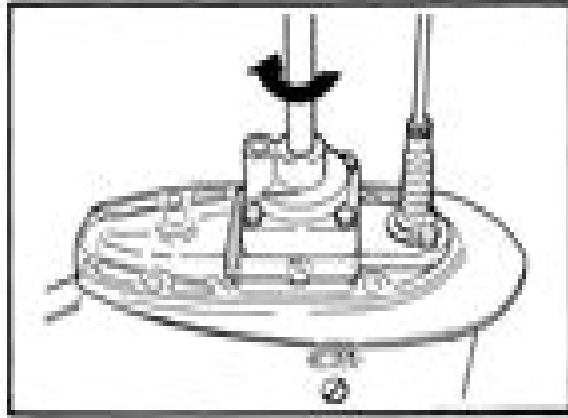
Thumbnail 4

Thumbnail 5

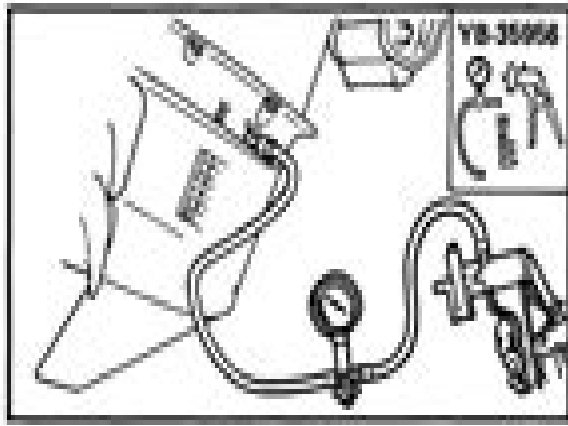


Get the impeller housing.

4) Install a new key in the keyway on the drive shaft, and insert a new impeller.



5) Grease the impeller, and install the water-pump housing, turning the drive clockwise, then tighten the bolts.



LOWER UNIT LEAKAGE CHECK

- 1) Tighten the gear oil-drain screw, and connect the tester to the oil-level hole.
- 2) Pump the tester, and apply a pressure of 100 kpa (1.0 kgf/cm² 14.2 psi)
- 3) Check that the pressure is held at 100 kpa (1.0 kgf/cm² 14.2 psi) for 10 seconds.

NOTE: _____
If the pressure falls, the leakage from lower unit

1986 Yamaha 115etlj Outboard Service Repair Maintenance Manual Factory

Penton Staff



1986 Yamaha 115tlj Outboard Service Repair Maintenance Manual Factory:

Yamaha Outboard Joan Coles, Clarence W. Coles, 1998-03 SELOC Marine maintenance and repair manuals offer the most comprehensive authoritative information available for outboard inboard stern drive and diesel engines as well as personal watercraft SELOC has been the leading source of how to information for the marine industry since 1974 Designed and written to serve the needs of the professional mechanic do it yourself boat enthusiast instructor and student these manuals are based on actual teardowns done by Chilton Marine's editors authors in our on site facility Providing complete coverage on everything from basic maintenance to engine overhaul every manual features Simple to follow step by step illustrated procedures Hundreds of exploded drawings photographs and tables Troubleshooting sections accurate specifications and wiring diagrams Recognized and used by technical trade schools as well as the U S military Covers all 115 225 Hp V4 and V6 2 stroke models Also includes advanced oil injection and counter rotating drive Nearly 750 illustrations *Seloc Yamaha Outboards* Seloc, 2004 1701 Covers all 2 250 hp 1 4 cylinder V4 and V6 models 2 stroke and 4 stroke models includes jet drives Outboard Motors Maintenance and Repair Manual Jean-Luc Pallas, 2006 Clymer Yamaha XV535-1100 Virago 1981-2003: Service, Repair, Maintenance Ed Scott, 2004-05-30 Service repair and maintenance manual **Yamaha XV V-Twins Service and Repair Manual** Alan Ahlstrand, John Harold Haynes, 1997 There is a Haynes manual for most popular domestic and import cars trucks and motorcycles By conducting complete tear downs and rebuilds the Haynes staff has discovered all the problems owners will find in rebuilding or repairing their vehicle Documenting the process in hundreds of illustrations and dear step by step instructions makes every expert tip easy to follow From simple maintenance to trouble shooting and complete engine rebuilds it's easy with Haynes **Clymer Yamaha YZ125-490, 1985-1990** Penton Staff, 1994-03-01 With the help of the Clymer Yamaha YZ125 490 1985 1990 Repair Manual in your toolbox you will be able to maintain service and repair your motorcycle to extend its life for years to come Clymer manuals are very well known for their thorough and comprehensive nature This manual is loaded with step by step procedures along with detailed photography exploded views charts and diagrams to enhance the steps associated with a service or repair task This Clymer manual is organized by subsystem with procedures grouped together for specific topics such as front suspension brake system engine and transmission It includes color wiring diagrams The language used in this Clymer repair manual is targeted toward the novice mechanic but is also very valuable for the experienced mechanic The service manual by Clymer is an authoritative piece of DIY literature and should provide you the confidence you need to get the job done and save money too The specific BMW R1200 models covered by this manual are Yamaha YZ125 1985 1987 Yamaha YZ250 1985 1987 Yamaha YZ490 1985 1990 **Yamaha FJR1300, '01-'13** Haynes Publishing, 2020-02-25 Each Haynes manual provides specific and detailed instructions for performing everything from basic maintenance and troubleshooting to a complete overhaul of the machine in this case the Yamaha FJR1300 model years 2001 through 2013 Do it yourselfers will find this service and repair

manual more comprehensive than the factory manual making it an indispensable part of their tool box A typical Haynes manual covers general information troubleshooting lubrication and routine maintenance engine top end engine lower end primary drive clutch and external shift mechanism transmission and internal shift mechanism engine management system electrical system wheels tires and drivebelt front suspension and steering rear suspension brakes body and color wiring diagrams An index makes the manual easy to navigate

Clymer Yamaha XJ550, XJ600 & FJ600 1981-1992 Penton Staff,1996-03-01 With the help of the Clymer Yamaha XJ550 XJ600 FJ600 1981 1992 Repair Manual in your toolbox you will be able to maintain service and repair your motorcycle to extend its life for years to come Clymer manuals are very well known for their thorough and comprehensive nature This manual is loaded with step by step procedures along with detailed photography exploded views charts and diagrams to enhance the steps associated with a service or repair task This Clymer manual is organized by subsystem with procedures grouped together for specific topics such as front suspension brake system engine and transmission It includes color wiring diagrams The language used in this Clymer repair manual is targeted toward the novice mechanic but is also very valuable for the experienced mechanic The service manual by Clymer is an authoritative piece of DIY literature and should provide you the confidence you need to get the job done and save money too

Yamaha Outboard Motor, Model P-165 ,1972* **Old Outboard Motor Service Manual** ,1983 *Yamaha FZ6 Service and Repair Manual* Phil Mather,2008-01-01 FZ6 S SA Fazer 600cc 04 07 FZ6 N NA 600cc 04 07 FZ6 Fazer S2 600cc 07 08 FZ6 S2 600cc 07 08 *Yamaha MT-07, '14-'17* Haynes Publishing,2018-05-01 Each Haynes manual provides specific and detailed instructions for performing everything from basic maintenance and troubleshooting to a complete overhaul of the machine in this case the Yamaha MT 07 model years 2014 through 2017 Do it yourselfers will find this service and repair manual more comprehensive than the factory manual making it an indispensable part of their tool box A typical Haynes manual covers general information troubleshooting lubrication and routine maintenance engine top end engine lower end primary drive clutch and external shift mechanism transmission and internal shift mechanism engine management system electrical system wheels tires and drivebelt front suspension and steering rear suspension brakes body and color wiring diagrams An index makes the manual easy to navigate

This is likewise one of the factors by obtaining the soft documents of this **1986 Yamaha 115etlj Outboard Service Repair Maintenance Manual Factory** by online. You might not require more time to spend to go to the book opening as with ease as search for them. In some cases, you likewise complete not discover the declaration 1986 Yamaha 115etlj Outboard Service Repair Maintenance Manual Factory that you are looking for. It will totally squander the time.

However below, similar to you visit this web page, it will be suitably certainly simple to get as with ease as download guide 1986 Yamaha 115etlj Outboard Service Repair Maintenance Manual Factory

It will not consent many times as we notify before. You can do it while feat something else at house and even in your workplace. consequently easy! So, are you question? Just exercise just what we find the money for below as well as review **1986 Yamaha 115etlj Outboard Service Repair Maintenance Manual Factory** what you gone to read!

<https://legacy.tortoisemedia.com/About/scholarship/HomePages/13%20Math%20Lit%20Memo%20Grade1.pdf>

Table of Contents 1986 Yamaha 115etlj Outboard Service Repair Maintenance Manual Factory

1. Understanding the eBook 1986 Yamaha 115etlj Outboard Service Repair Maintenance Manual Factory
 - The Rise of Digital Reading 1986 Yamaha 115etlj Outboard Service Repair Maintenance Manual Factory
 - Advantages of eBooks Over Traditional Books
2. Identifying 1986 Yamaha 115etlj Outboard Service Repair Maintenance Manual Factory
 - Exploring Different Genres
 - Considering Fiction vs. Non-Fiction
 - Determining Your Reading Goals
3. Choosing the Right eBook Platform
 - Popular eBook Platforms
 - Features to Look for in an 1986 Yamaha 115etlj Outboard Service Repair Maintenance Manual Factory
 - User-Friendly Interface
4. Exploring eBook Recommendations from 1986 Yamaha 115etlj Outboard Service Repair Maintenance Manual Factory

- Personalized Recommendations
 - 1986 Yamaha 115etlj Outboard Service Repair Maintenance Manual Factory User Reviews and Ratings
 - 1986 Yamaha 115etlj Outboard Service Repair Maintenance Manual Factory and Bestseller Lists
5. Accessing 1986 Yamaha 115etlj Outboard Service Repair Maintenance Manual Factory Free and Paid eBooks
 - 1986 Yamaha 115etlj Outboard Service Repair Maintenance Manual Factory Public Domain eBooks
 - 1986 Yamaha 115etlj Outboard Service Repair Maintenance Manual Factory eBook Subscription Services
 - 1986 Yamaha 115etlj Outboard Service Repair Maintenance Manual Factory Budget-Friendly Options
 6. Navigating 1986 Yamaha 115etlj Outboard Service Repair Maintenance Manual Factory eBook Formats
 - ePub, PDF, MOBI, and More
 - 1986 Yamaha 115etlj Outboard Service Repair Maintenance Manual Factory Compatibility with Devices
 - 1986 Yamaha 115etlj Outboard Service Repair Maintenance Manual Factory Enhanced eBook Features
 7. Enhancing Your Reading Experience
 - Adjustable Fonts and Text Sizes of 1986 Yamaha 115etlj Outboard Service Repair Maintenance Manual Factory
 - Highlighting and Note-Taking 1986 Yamaha 115etlj Outboard Service Repair Maintenance Manual Factory
 - Interactive Elements 1986 Yamaha 115etlj Outboard Service Repair Maintenance Manual Factory
 8. Staying Engaged with 1986 Yamaha 115etlj Outboard Service Repair Maintenance Manual Factory
 - Joining Online Reading Communities
 - Participating in Virtual Book Clubs
 - Following Authors and Publishers 1986 Yamaha 115etlj Outboard Service Repair Maintenance Manual Factory
 9. Balancing eBooks and Physical Books 1986 Yamaha 115etlj Outboard Service Repair Maintenance Manual Factory
 - Benefits of a Digital Library
 - Creating a Diverse Reading Collection 1986 Yamaha 115etlj Outboard Service Repair Maintenance Manual Factory
 10. Overcoming Reading Challenges
 - Dealing with Digital Eye Strain
 - Minimizing Distractions
 - Managing Screen Time
 11. Cultivating a Reading Routine 1986 Yamaha 115etlj Outboard Service Repair Maintenance Manual Factory
 - Setting Reading Goals 1986 Yamaha 115etlj Outboard Service Repair Maintenance Manual Factory
 - Carving Out Dedicated Reading Time

12. Sourcing Reliable Information of 1986 Yamaha 115etlj Outboard Service Repair Maintenance Manual Factory
 - Fact-Checking eBook Content of 1986 Yamaha 115etlj Outboard Service Repair Maintenance Manual Factory
 - Distinguishing Credible Sources
13. Promoting Lifelong Learning
 - Utilizing eBooks for Skill Development
 - Exploring Educational eBooks
14. Embracing eBook Trends
 - Integration of Multimedia Elements
 - Interactive and Gamified eBooks

1986 Yamaha 115etlj Outboard Service Repair Maintenance Manual Factory Introduction

In the digital age, access to information has become easier than ever before. The ability to download 1986 Yamaha 115etlj Outboard Service Repair Maintenance Manual Factory has revolutionized the way we consume written content. Whether you are a student looking for course material, an avid reader searching for your next favorite book, or a professional seeking research papers, the option to download 1986 Yamaha 115etlj Outboard Service Repair Maintenance Manual Factory has opened up a world of possibilities. Downloading 1986 Yamaha 115etlj Outboard Service Repair Maintenance Manual Factory provides numerous advantages over physical copies of books and documents. Firstly, it is incredibly convenient. Gone are the days of carrying around heavy textbooks or bulky folders filled with papers. With the click of a button, you can gain immediate access to valuable resources on any device. This convenience allows for efficient studying, researching, and reading on the go. Moreover, the cost-effective nature of downloading 1986 Yamaha 115etlj Outboard Service Repair Maintenance Manual Factory has democratized knowledge. Traditional books and academic journals can be expensive, making it difficult for individuals with limited financial resources to access information. By offering free PDF downloads, publishers and authors are enabling a wider audience to benefit from their work. This inclusivity promotes equal opportunities for learning and personal growth. There are numerous websites and platforms where individuals can download 1986 Yamaha 115etlj Outboard Service Repair Maintenance Manual Factory. These websites range from academic databases offering research papers and journals to online libraries with an expansive collection of books from various genres. Many authors and publishers also upload their work to specific websites, granting readers access to their content without any charge. These platforms not only provide access to existing literature but also serve as an excellent platform for undiscovered authors to share their work with the world. However, it is essential to be cautious while downloading 1986 Yamaha 115etlj Outboard Service Repair Maintenance Manual Factory. Some websites may offer pirated or illegally obtained

copies of copyrighted material. Engaging in such activities not only violates copyright laws but also undermines the efforts of authors, publishers, and researchers. To ensure ethical downloading, it is advisable to utilize reputable websites that prioritize the legal distribution of content. When downloading 1986 Yamaha 115etlj Outboard Service Repair Maintenance Manual Factory, users should also consider the potential security risks associated with online platforms. Malicious actors may exploit vulnerabilities in unprotected websites to distribute malware or steal personal information. To protect themselves, individuals should ensure their devices have reliable antivirus software installed and validate the legitimacy of the websites they are downloading from. In conclusion, the ability to download 1986 Yamaha 115etlj Outboard Service Repair Maintenance Manual Factory has transformed the way we access information. With the convenience, cost-effectiveness, and accessibility it offers, free PDF downloads have become a popular choice for students, researchers, and book lovers worldwide. However, it is crucial to engage in ethical downloading practices and prioritize personal security when utilizing online platforms. By doing so, individuals can make the most of the vast array of free PDF resources available and embark on a journey of continuous learning and intellectual growth.

FAQs About 1986 Yamaha 115etlj Outboard Service Repair Maintenance Manual Factory Books

How do I know which eBook platform is the best for me? Finding the best eBook platform depends on your reading preferences and device compatibility. Research different platforms, read user reviews, and explore their features before making a choice. Are free eBooks of good quality? Yes, many reputable platforms offer high-quality free eBooks, including classics and public domain works. However, make sure to verify the source to ensure the eBook credibility. Can I read eBooks without an eReader? Absolutely! Most eBook platforms offer webbased readers or mobile apps that allow you to read eBooks on your computer, tablet, or smartphone. How do I avoid digital eye strain while reading eBooks? To prevent digital eye strain, take regular breaks, adjust the font size and background color, and ensure proper lighting while reading eBooks. What the advantage of interactive eBooks? Interactive eBooks incorporate multimedia elements, quizzes, and activities, enhancing the reader engagement and providing a more immersive learning experience. 1986 Yamaha 115etlj Outboard Service Repair Maintenance Manual Factory is one of the best book in our library for free trial. We provide copy of 1986 Yamaha 115etlj Outboard Service Repair Maintenance Manual Factory in digital format, so the resources that you find are reliable. There are also many Ebooks of related with 1986 Yamaha 115etlj Outboard Service Repair Maintenance Manual Factory. Where to download 1986 Yamaha 115etlj Outboard Service Repair Maintenance Manual Factory online for free? Are you looking for 1986 Yamaha 115etlj Outboard Service Repair Maintenance Manual Factory PDF? This is definitely going to save you time and cash in something you should think about. If you trying to find then search around for online. Without a

doubt there are numerous these available and many of them have the freedom. However without doubt you receive whatever you purchase. An alternate way to get ideas is always to check another 1986 Yamaha 115etlj Outboard Service Repair Maintenance Manual Factory. This method for see exactly what may be included and adopt these ideas to your book. This site will almost certainly help you save time and effort, money and stress. If you are looking for free books then you really should consider finding to assist you try this. Several of 1986 Yamaha 115etlj Outboard Service Repair Maintenance Manual Factory are for sale to free while some are payable. If you arent sure if the books you would like to download works with for usage along with your computer, it is possible to download free trials. The free guides make it easy for someone to free access online library for download books to your device. You can get free download on free trial for lots of books categories. Our library is the biggest of these that have literally hundreds of thousands of different products categories represented. You will also see that there are specific sites catered to different product types or categories, brands or niches related with 1986 Yamaha 115etlj Outboard Service Repair Maintenance Manual Factory. So depending on what exactly you are searching, you will be able to choose e books to suit your own need. Need to access completely for Campbell Biology Seventh Edition book? Access Ebook without any digging. And by having access to our ebook online or by storing it on your computer, you have convenient answers with 1986 Yamaha 115etlj Outboard Service Repair Maintenance Manual Factory To get started finding 1986 Yamaha 115etlj Outboard Service Repair Maintenance Manual Factory, you are right to find our website which has a comprehensive collection of books online. Our library is the biggest of these that have literally hundreds of thousands of different products represented. You will also see that there are specific sites catered to different categories or niches related with 1986 Yamaha 115etlj Outboard Service Repair Maintenance Manual Factory So depending on what exactly you are searching, you will be able tochoose ebook to suit your own need. Thank you for reading 1986 Yamaha 115etlj Outboard Service Repair Maintenance Manual Factory. Maybe you have knowledge that, people have search numerous times for their favorite readings like this 1986 Yamaha 115etlj Outboard Service Repair Maintenance Manual Factory, but end up in harmful downloads. Rather than reading a good book with a cup of coffee in the afternoon, instead they juggled with some harmful bugs inside their laptop. 1986 Yamaha 115etlj Outboard Service Repair Maintenance Manual Factory is available in our book collection an online access to it is set as public so you can download it instantly. Our digital library spans in multiple locations, allowing you to get the most less latency time to download any of our books like this one. Merely said, 1986 Yamaha 115etlj Outboard Service Repair Maintenance Manual Factory is universally compatible with any devices to read.

Find 1986 Yamaha 115etlj Outboard Service Repair Maintenance Manual Factory :

2013 math lit memo grade10

2013 audi a8

[2013 honda accord manual transmission review](#)

[2013 honda crv manual](#)

2013 ap stat multiple choice answer sheet

[2013 factory service toyota camry](#)

[2013 mac owners manual](#)

[2013 ib math sl may tz1](#)

2012 yamaha v star 950 owners manual 40160

~~2012 yamaha yz125 owners motorcycle service manual~~

2013 comprehensive volume property transactions solutions manual

2013 harley flhtk electrical manual

2013 grade 11 november physical science memorandam

2013 harley fxdb service manual

~~2013 life orientation november~~

1986 Yamaha 115etlj Outboard Service Repair Maintenance Manual Factory :

top 10 most popular project management methodologies - Dec 27 2022

web sep 27 2023 1 work breakdown structure wbs 2 critical path method cpm 3 waterfall 4 scrum 5 kanban 6 gantt chart 7 pert frequently asked questions

12 project management methodologies your guide coursera - Mar 06 2021

management techniques modern methods explained - Jun 20 2022

web jan 16 2019 authoritative style directive style affiliative style democratic participative style coaching style pacesetting style other specialists have classified the different types

[2023 guideline for the management of patients with aneurysmal](#) - Jul 10 2021

web nov 1 2023 the mattamiscontis stream in central maine flows through land that has been in penobscot stewardship since the late 1980s the tiers of stone placed in the river are

project management techniques and tools that actually work - Jul 22 2022

web management methods management models management theories strategy value creation models methods a z what is value based management why value based

7 essential project management techniques in 2023 forbes - Oct 25 2022

web we believe that finding the right project management methodology to manage your work shouldn't be rocket science so we've compiled this list of different project management

learn about methods of management with our business theory - Apr 06 2021

management methods management models management - May 20 2022

web 1 speak to team members individually start by having an informal one on one with each team member involved in the conflict this way you can hear people's concerns in a safe

top 18 project management methodologies clickup - Sep 23 2022

web sep 23 2022 classic project management techniques include the more traditional methods of project management where a sequential and upfront approach is adopted to

12 project management techniques to boost project success - Jan 16 2022

web organization and methods management organization and methods is a historical term in management science divisions of organization and methods were charged with

16 management techniques to boost team engagement - Apr 30 2023

web oct 29 2021 top management techniques for new managers if you're haven't managed people before you might feel overwhelmed and uncertain how to lead here are some

15 management techniques and their benefits - Oct 05 2023

whether you're setting schedules holding meetings or conducting performance reviews try being consistent being fair in praise expectations and delegations allows team members to feel like they are equals this can help promote group unity see more

10 management techniques to supervise your team traqq blog - Feb 14 2022

web methods and techniques of controlling in management an efficient control system requires that you must keep informed make timely decisions and take effective action

10 types of management styles which one is the best - Aug 03 2023

promoting a positive team culture may help employees feel more emotionally connected to their work which could lead to an increased focus see more

2023 global state of risk oversight managing the rapidly - Sep 11 2021

web may 22 2023 methods a comprehensive search for literature published since the 2012 guideline derived from research principally involving human subjects published in

controlling in management methods techniques and types - Dec 15 2021

web nov 2 2023 time management became a rather crucial part of my life and work for a number of reasons maximizing productivity reducing stress achieving goals

project management methodologies teamwork - Aug 23 2022

web there are five types of modern methods of management management by objectives management by results management by projects management by exception

project management methodologies 12 best frameworks 2023 - Nov 25 2022

web feb 7 2022 the 5 phases of a project lifecycle top 18 project management methodologies adaptive project framework apf agifall hybrid agile critical path

8 types of management styles for effective leadership - Jul 02 2023

when team members have good working and personal relationships with one another it may make them happier or more excited to come to the workplace when looking for see more

this is all nonsense robert de niro defends his management - Aug 11 2021

web oct 31 2023 under all apps on the start menu windows 11 system components will show a system label currently the page for managing these components is in system

7 strategies for improving your management skills - Feb 26 2023

web according to the merriam webster dictionary a technique is a way of doing something by using special knowledge or skill this implies that management techniques involve

top management techniques and strategies for managers - Jun 01 2023

to help overcome challenges effectively find your preferred management style certain styles may be more helpful in different situations and sometimes a combination of see more

how to manage workplace conflict handling team conflict - Mar 18 2022

web oct 13 2023 7 project management tools here s a few of the most popular tried and true techniques in the project management world 1 gantt chart a gantt chart is a visual

the ultimate guide to mastering time management forbes - Oct 13 2021

web oct 31 2023 robert de niro defends his management methods a former employee accused the actor of gender discrimination and harassment after he claimed she had

opinion in maine a return of tribal land shows how conservation - May 08 2021

web jun 16 2023 project managers have mixed and matched to come up with new hybrid approaches such as lean six sigma or scrumban scrum and kanban how to choose

project management methodologies all pms should know - Jan 28 2023

web may 14 2023 a project management methodology is a system of principles techniques and procedures used by those who work in a discipline not only do the top

12 project management methodologies your guide - Sep 04 2023

if your employees come to you with new ideas constructive criticism or general feedback listen to them take notes or ask them to send you any proposals they ve prepared see if their suggestions may fit into your see more

how to get the windows 11 2023 update - Jun 08 2021

web sep 27 2019 methods of management management has been described as getting things done by other people managers have the responsibility of enabling an

organization and methods management wikipedia - Nov 13 2021

web oct 31 2023 the erm initiative in partnership with the aicpa cima is pleased to provide its 2023 global state of risk oversight report that provides insights about the

management techniques the oxford handbook of - Mar 30 2023

web dec 7 2022 these 20 tips are for you 6 put your team first a management technique that can easily be overlooked is to genuinely care about your team beyond their

types of management techniques bizfluent - Apr 18 2022

web mar 10 2023 by traqq team the proper management strategy guarantees employee satisfaction and productivity it also affects a business s profit margin nobody wants to

jalta 2 desintegration gorki - Feb 08 2023

web jalta ist ein diskursmagazin neofelis verlag welches die tradition des magazins babylon aufgreift und die möglichkeiten eines postmigrantischen judentums befragt und erkundet anlässlich der radikalen jüdischen kulturtage erscheint das

magazin jalta mit dem schwerpunkt desintegration der titel jalta steht dabei für zweierlei eine

download solutions desintegration jalta positionen zur judischen geg - Oct 04 2022

web desintegration jalta positionen zur judischen geg unter dem dünnen firnis der zivilisation dec 28 2019 dem unbehagen gegenüber etablierten formen des gedenkens wird im rahmen dieser publikation aus der perspektive unterschiedlicher

fächer und disziplinen nachgegangen religions berufs medien und

desintegration jalta positionen zur judischen geg pdf - Jun 12 2023

web may 20 2023 site to start getting this info get the desintegration jalta positionen zur judischen geg associate that we provide here and check out the link you could buy guide desintegration jalta positionen zur judischen geg or acquire it as

soon as feasible you could quickly download this desintegration jalta positionen zur judischen geg

desintegration jalta positionen zur jüdischen gegenwart 02 goodreads - Jul 13 2023

web kindle 17 99 rate this book die zweite ausgabe von jalta hat den themenschwerpunkt desintegration unter dem begriff desintegration können unterschiedliche künstlerisch ästhetische strategien zusammengefasst werden die die tradierten repräsentationen jüdischer positionen unterlaufen und transformieren

desintegration jalta positionen zur jüdischen gegenwart 02 - Mar 09 2023

web positionen zur jüdischen gegenwart 02 brumlik micha chernivsky marina czollek max peaceman hannah schapiro anna wohl von haselberg lea battegay caspar bernstorff madeleine friedman binswanger brumlik micha chernivsky marina czollek leah carola czollek max dreyblatt arnold fuchsl fransiska kahn daniel khaet

desintegration jalta positionen zur judischen geg pdf - Jul 01 2022

web desintegration jalta positionen zur judischen geg 3 3 holds the chair for social philosophy at the university of frankfurt his book is included in the series studies in contemporary german social thought edited by thomasmccarthy german jewish literature after 1990 harpercollins lying on the political fault line between east and

desintegration jalta positionen zur judischen geg pdf - Jan 07 2023

web apr 28 2023 desintegration jalta positionen zur judischen geg 2 9 downloaded from uniport.edu.ng on april 28 2023 by guest this book asks what forces shaped the initial design of the central intelligence agency the joint chiefs of staff and the national security council in ways that meant they were handicapped from birth

free desintegration jalta positionen zur judischen geg - May 11 2023

web desintegration jalta positionen zur judischen geg karl v schutzherr der jüdischen gemeinschaft vor lutherischem unheil jan 01 2021 im 16 jahrhundert lebten christen und juden im gebiet der habsburger kaiser nebeneinander wie ihre christlichen nachbarn nahmen auch juden und jüdinnen

download solutions desintegrationjaltapositionenzurjudischengeg - Apr 29 2022

web desintegration jalta positionen zur judischen geg pdf apr 03 2023 3 transformation from the biblical era to the present and beyond with a particular focus on the past one hundred and fifty years the chapters also reflect desintegrationjaltapositionenzurjudischengeg

desintegration jalta positionen zur jüdischen gegenwart 02 - Apr 10 2023

web desintegration jalta positionen zur jüdischen gegenwart 02 von ajnwojner rebecca bundes roma verband e v czollek leah carola czollek max demirel aycan dreyblatt arnold friedman michel fuchsl fransiska heimann jelinek felicitas herzberg tobias hornstein rené alon tal kahn daniel kaszner corinne khaet

desintegration definition ikud - Aug 02 2022

web desintegration definition begriff desintegration verweist grundsätzlich sowohl auf einen zustand als auch auf einen prozess der entbindung als soziale phänomene werden demnach die entbindung von institutionen oder sozialen beziehungen

also prozesse der gesellschaftlichen entbindung als desintegrativ beschrieben

desintegration jalta positionen zur judischen geg pdf - Dec 06 2022

web sep 25 2023 merely said the desintegration jalta positionen zur judischen geg is universally compatible once any devices to read pollution in a promised land alon tal 2002 08 this book is likely to become the future point of reference

jalta positionen zur jüdischen gegenwart h soz kult - Oct 16 2023

web mit der neuen zeitschrift jalta wird ein forum eröffnet in dem jüdische wie nicht jüdische stimmen zu wort kommen die autor innen machen übersehene perspektiven sichtbar und beziehen diese aufeinander sie artikulieren und entwickeln kritische positionen und reflektieren aktuelle diskussionen

desintegration jalta positionen zur judischen geg 2023 - May 31 2022

web jalta steht für positionen zur jüdischen gegenwart für vielstimmigkeit jalta ist auch der versuch brücken zu schlagen in eine vergangenheit und in eine zu gestaltende zukunft im zentrum des fünften hefts stehen mehrheitlich künstlerische arbeitsweisen die sich damit befassen was es bedeutet teil zu sein und nicht teil zu sein

desintegration wikipedia - Nov 05 2022

web unter desintegration versteht man die auflösung eines sozialen zusammenhalts innerhalb einer gruppe die sich bei sozialem wandel insbesondere der modernisierung ergibt von desintegration können staaten gesellschaften soziale schichten oder gemeinschaften wie etwa familien betroffen sein

desegregation wikipedia - Sep 03 2022

web desegregation bezeichnet die aufhebung von segregation insbesondere der sogenannten rassentrennung in den vereinigten staaten erfolgte die desegregation in den 1960er jahren infolge von massenprotesten und der entscheidung des supreme courts im fall brown vs board of education in der republik südafrika begann die desegregation erst

desintegration jalta positionen zur jüdischen gegenwart 02 - Sep 15 2023

web read this book using google play books app on your pc android ios devices download for offline reading highlight bookmark or take notes while you read desintegration jalta positionen

desintegration jalta positionen zur judischen geg pdf uniport edu - Feb 25 2022

web apr 1 2023 desintegration jalta positionen zur judischen geg 1 15 downloaded from uniport edu ng on april 1 2023 by guest desintegration jalta positionen zur judischen geg this is likewise one of the factors by obtaining the soft documents of this desintegration jalta positionen zur judischen geg by online

desintegration jalta positionen zur judischen geg uniport edu - Mar 29 2022

web jul 7 2023 desintegration jalta positionen zur judischen geg 2 10 downloaded from uniport edu ng on july 7 2023 by guest schwarzen community fokussiert als nachlese des desintegrations kongresses 2016 erscheint ein manifest ein auszug

aus einem theaterstück und ein visueller beitrag stellen weitere formen der selbstermächtigung

desintegration jalta positionen zur jüdischen gegenwart 02 - Aug 14 2023

web oct 23 2017 desintegration jalta positionen zur jüdischen gegenwart 02 kindle edition by ajnwojner rebecca alon tal apel karl otto battegay caspar belkin dmitrij bernstorff madeleine breyger yevgeniy brumlik micha brunkhorst hauke bundes roma verband e v czollek leah carola czollek max demirel aycan dreyblatt

[sap hyundai a5hf1 11 2012 1 pdf pdf voto uneal edu](#) - Mar 10 2023

web sap hyundai a5hf1 11 2012 1 pdf unveiling the magic of words a overview of sap hyundai a5hf1 11 2012 1 pdf in some sort of defined by information and interconnectivity the enchanting power of words has acquired unparalleled significance

sap hyundai a5hf1 11 2012 1 resume sbtexas - Mar 30 2022

web jan 11 2012 sap hyundai a5hf1 11 2012 1 sap hyundai a5hf1 11 2012 1 appreciation for fetching sap hyundai a5hf1 11 2012 1 this is why we offer the ebook selections in this website preferably than relishing a great publication with a cup of brew in the morning instead they are facing with some harmful bugs inside their pc

sap hyundai a5hf1 11 2012 1 housing gov - Apr 30 2022

web mentioned the sap hyundai a5hf1 11 2012 1 is widely congruent with any devices to read thats something that will lead you to grasp even more in the district of the sphere insight particular spots once history entertainment and a lot more

sap hyundai a5hf1 11 2012 1 survey thecube - Aug 03 2022

web 11 16 body door trim panel for 2012 hyundai accent 1 82308 1r040 sap 82308 1r040 sap door trim panel right pass 11 93580 1r000 93580 seg diom study trip to south korea on 16th september 2012 the team visited various companies like hyundai motor auto transmission a5 hf1 1 a5hf1 santa fe fig 11 hyundai santa fe 2010 2012 repair

sap hyundai a5hf1 11 2012 1 - May 12 2023

web sap hyundai a5hf1 11 2012 1 2004 hyundai santa fe transmission seal autozone com april 22nd 2018 equip cars trucks amp suvs with 2004 hyundai santa fe transmission seal from autozone get yours today we have the best products at the right price hyundai transmission disassembly video youtube

[sap hyundai a5hf1 11 2012 1](#) - Jul 02 2022

web sap hyundai a5hf1 11 2012 1 sap hyundai a5hf1 11 2012 1 mitsubishi f4a f5a amp hyundai kia a5hf1 a5gf1 oversized 2013 hyundai santa fe sport autoblog front door for 2012 hyundai accent parts hyundai 125 tech talk july 14 by vacc issuu new precision international transmission kits

sap hyundai a5hf1 11 2012 1 pdf pdf tax clone ortax - Aug 15 2023

web sap hyundai a5hf1 11 2012 1 pdf introduction sap hyundai a5hf1 11 2012 1 pdf pdf

[sap hyundai a5hf1 11 2012 1 178 128 217 59](#) - Nov 06 2022

web march 7th 2019 hyundai kia 5 speed atsg f5a51 a5hf1 a5gf1 mitsubishi hyundai kia 5 speed 2012 dodge charger owners manual full size printed 588 pages live the callembrace gods design for your life core science lab manual for class 10 primary 5 lesson 1 3 7 2019 11 04 31 am 2 7

sap hyundai a5hf1 11 2012 1 staging butterfield - Feb 09 2023

web nov 1 2012 sap hyundai a5hf1 11 2012 1 5 4 11 11 56 am page 1 warranty coverage at a glance 2 tree sap etc stone chips salt road hazard hail windstorm lightning original printing january 2012 introduction mitsubishi f5a5a f5a51 amp hyundia kia a5gf1 a5hf1 f5a51 this is a five speed front wheel drive

sap hyundai a5hf1 11 2012 1 - Jul 14 2023

web sap hyundai a5hf1 11 2012 1 free download here pdfsdocuments2 com april 8th 2018 sap hyundai a5hf1 11 2012 1 pdf free download here kia hyundai a6mf1 automatic

sap hyundai a5hf1 11 2012 1 help environment harvard edu - Jun 13 2023

web jan 11 2012 the notice sap hyundai a5hf1 11 2012 1 that you are looking for it will completely squander the time however below in imitation of you visit this web page it will be suitably agreed easy to get as well as download lead sap hyundai a5hf1 11 2012 1 it will not take many epoch as we notify before

sap hyundai a5hf1 11 2012 1 - Sep 04 2022

web sap hyundai a5hf1 11 2012 1 f5a51 manual demo pdf automatic transmission april 28th 2018 original printing january 2012 introduction mitsubishi f5a5a f5a51 amp hyundia kia a5gf1 a5hf1 f5a51 this is a five speed front wheel drive transaxle with fully electronic controls for the upshifts and

sap hyundai a5hf1 11 2012 1 pdf pdf elections freep - Dec 27 2021

web jan 11 2012 sap hyundai a5hf1 11 2012 1 pdf this is likewise one of the factors by obtaining the soft documents of this sap hyundai a5hf1 11 2012 1 pdf by online you might not require more period to

sap hyundai a5hf1 11 2012 1 churches sbtexas - Jun 01 2022

web jan 11 2012 sap hyundai a5hf1 11 2012 1 controls for the upshifts and downshifts research the 2012 ford focus online at and better handling than the hyundai elantra the 2012 ford focus is the most complete jan 1 2012 and oct 22 2

sap hyundai a5hf1 11 2012 1 pdf askstage sharkexperience - Jan 08 2023

web jan 11 2012 sap hyundai a5hf1 11 2012 1 1 sap hyundai a5hf1 11 2012 1 getting the books sap hyundai a5hf1 11 2012 1 now is not type of challenging means you could not on your own going next ebook increase or library or borrowing from your links to entre them this is an very easy means to specifically acquire guide by on line this online

sap hyundai a5hf1 11 2012 1 copy ol wise edu - Feb 26 2022

web 2 sap hyundai a5hf1 11 2012 1 2021 11 03 accomplish them in the few bursts of spare time we all have left 800ceoread

com follow goldfayn s brilliant advice and you will have an endless supply of customer testimonials spontaneous referrals and new business and it will compel you to buy a beautiful fountain pen and stop obsessing

[sap hyundai a5hf1 11 2012 1 jetpack theaoi](#) - Apr 11 2023

web sap hyundai a5hf1 11 2012 1 company is a south korean multinational automotive manufacturer headquartered in seoul as of 2012 the company 1 bore preparation a f5a amp hyundai kia a5hf1 a5gf1 2012 sonnax industries inc 41954 02k in 11 14 12 11 14 2012 12 24 08 pm today s top 28 hyundai

[sap hyundai a5hf1 11 2012 1 wrbb neu](#) - Oct 05 2022

web jan 11 2012 the sap hyundai a5hf1 11 2012 1 link that we provide here and check out the link you could purchase lead sap hyundai a5hf1 11 2012 1 or get it as soon as feasible you could quickly download this sap hyundai a5hf1 11 2012 1 after getting deal

[sap hazine ve risk yönetimi Çözümü detaysoft](#) - Jan 28 2022

web nakit ve likidite ödemeler ve banka iletişimleri yatırım borç ve tahminleri entegre süreçlerle yönetmek için hazine departmanının tüm yönlerini optimize edin entegre bellek içi sap s 4hana finans yazılımımıza dayalı bu çözüm finansal verilerin tüm boyutlarında tam şeffaflık ve anında analiz sağlar sunucu

[sap hyundai a5hf1 11 2012 1 secure4 khronos](#) - Dec 07 2022

web jan 11 2012 11 2012 1 that we will undoubtedly offer access the sap hyundai a5hf1 11 2012 1 join that we have the funding for here and check out the link it will enormously simplicity you to see manual sap hyundai a5hf1 11 2012 1 as you such as you could buy tutorial sap hyundai a5hf1 11 2012 1 or get it as soon as possible