

**NOTE**

Standard and ABS bearings require different collets. Choose the appropriate one to remove the bearing.

- **Non-ABS models:** Use COLLET (Part No. HD-44060-10A).
  - **ABS models:** Use COLLET (Part No. HD-44060-11A).
5. Place steel ball inside collet and install collet at end of forcing screw.
  6. Insert collet into bearing. Hold forcing screw (1) and turn hex on collet (6) until lip makes firm contact with inside edge of bearing.
  7. See [Figure 2-33](#). Turn hex nut (2) until bearing is free. Discard bearing.
  8. See [Figure 2-34](#). Remove spacer sleeve (6) from hub.
  9. Repeat steps to remove remaining bearing from opposite side of wheel.

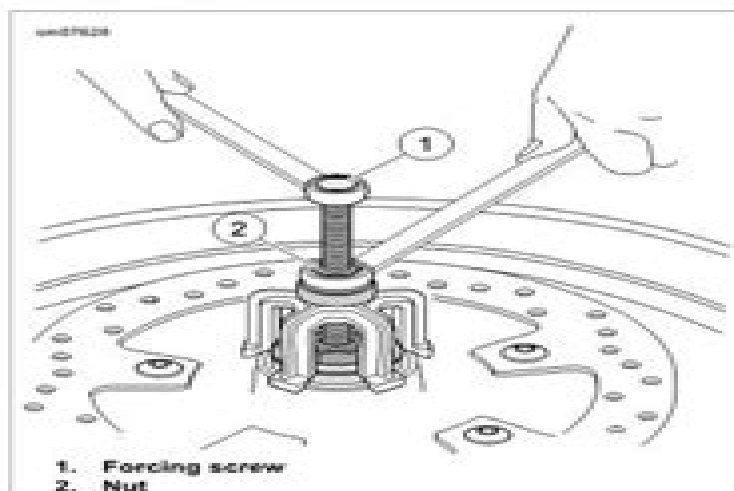


Figure 2-33. Removing Bearing

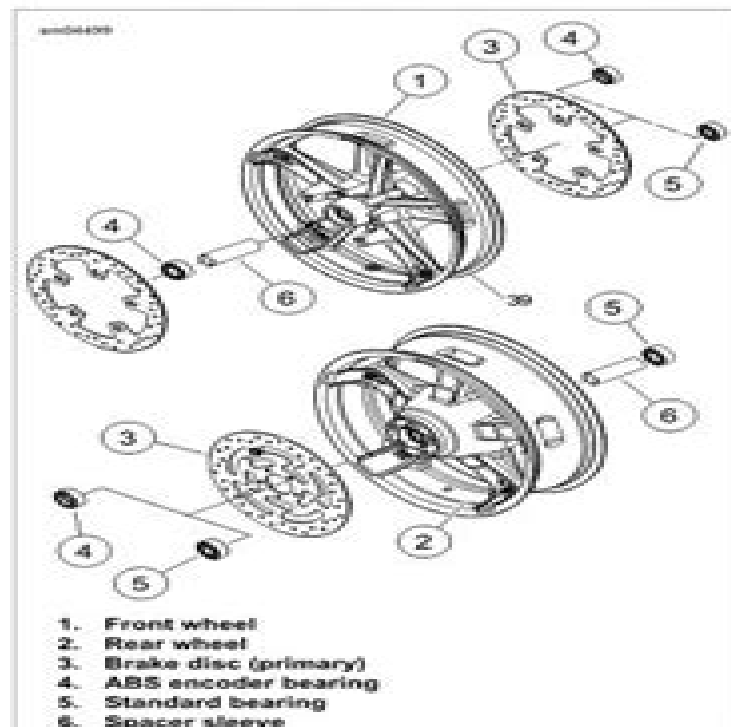


Figure 2-34. Wheel Bearing Assemblies

**INSTALLATION**

PART NUMBER	TOOL NAME
HD-44060C	WHEEL BEARING REMOVER/INSTALLER

**NOTES**

- Keep ABS encoder bearings away from magnetic fields (such as magnetic parts trays, magnetic base dial indicators, alternator rotors, etc.) or damage will occur.
  - Always replace both bearings as a complete set.
1. See [Figure 2-35](#). Sparingly apply graphite lubricant to threads of threaded rod (1) of WHEEL BEARING REMOVER/INSTALLER (Part No. HD-44060C).

**NOTE**

Install the primary (front: left; rear: right) brake disc side bearing first. ABS equipped motorcycles use a special encoder bearing (greenish tan in color) on the primary brake disc side and a standard bearing (black) on the opposite side.

2. Install support plate (2) onto rod (1) and slide rod through hub from the side opposite the primary brake side.

# 2014 Flhtk Service Manual 5362

**Zhe Xu**



**2014 Flhtk Service Manual 5362:**

Eventually, you will certainly discover a additional experience and ability by spending more cash. nevertheless when? reach you understand that you require to acquire those every needs in the same way as having significantly cash? Why dont you attempt to acquire something basic in the beginning? Thats something that will lead you to comprehend even more with reference to the globe, experience, some places, considering history, amusement, and a lot more?

It is your very own times to conduct yourself reviewing habit. accompanied by guides you could enjoy now is **2014 Flhtk Service Manual 5362** below.

[https://legacy.tortoisemedia.com/files/browse/HomePages/2004\\_Chevrolet\\_Silverado\\_2500hd\\_Diesel\\_Manual.pdf](https://legacy.tortoisemedia.com/files/browse/HomePages/2004_Chevrolet_Silverado_2500hd_Diesel_Manual.pdf)

## **Table of Contents 2014 Flhtk Service Manual 5362**

1. Understanding the eBook 2014 Flhtk Service Manual 5362
  - The Rise of Digital Reading 2014 Flhtk Service Manual 5362
  - Advantages of eBooks Over Traditional Books
2. Identifying 2014 Flhtk Service Manual 5362
  - Exploring Different Genres
  - Considering Fiction vs. Non-Fiction
  - Determining Your Reading Goals
3. Choosing the Right eBook Platform
  - Popular eBook Platforms
  - Features to Look for in an 2014 Flhtk Service Manual 5362
  - User-Friendly Interface
4. Exploring eBook Recommendations from 2014 Flhtk Service Manual 5362
  - Personalized Recommendations
  - 2014 Flhtk Service Manual 5362 User Reviews and Ratings
  - 2014 Flhtk Service Manual 5362 and Bestseller Lists
5. Accessing 2014 Flhtk Service Manual 5362 Free and Paid eBooks

- 2014 Flhtk Service Manual 5362 Public Domain eBooks
  - 2014 Flhtk Service Manual 5362 eBook Subscription Services
  - 2014 Flhtk Service Manual 5362 Budget-Friendly Options
6. Navigating 2014 Flhtk Service Manual 5362 eBook Formats
- ePub, PDF, MOBI, and More
  - 2014 Flhtk Service Manual 5362 Compatibility with Devices
  - 2014 Flhtk Service Manual 5362 Enhanced eBook Features
7. Enhancing Your Reading Experience
- Adjustable Fonts and Text Sizes of 2014 Flhtk Service Manual 5362
  - Highlighting and Note-Taking 2014 Flhtk Service Manual 5362
  - Interactive Elements 2014 Flhtk Service Manual 5362
8. Staying Engaged with 2014 Flhtk Service Manual 5362
- Joining Online Reading Communities
  - Participating in Virtual Book Clubs
  - Following Authors and Publishers 2014 Flhtk Service Manual 5362
9. Balancing eBooks and Physical Books 2014 Flhtk Service Manual 5362
- Benefits of a Digital Library
  - Creating a Diverse Reading Collection 2014 Flhtk Service Manual 5362
10. Overcoming Reading Challenges
- Dealing with Digital Eye Strain
  - Minimizing Distractions
  - Managing Screen Time
11. Cultivating a Reading Routine 2014 Flhtk Service Manual 5362
- Setting Reading Goals 2014 Flhtk Service Manual 5362
  - Carving Out Dedicated Reading Time
12. Sourcing Reliable Information of 2014 Flhtk Service Manual 5362
- Fact-Checking eBook Content of 2014 Flhtk Service Manual 5362
  - Distinguishing Credible Sources
13. Promoting Lifelong Learning
- Utilizing eBooks for Skill Development

- Exploring Educational eBooks
- 14. Embracing eBook Trends
  - Integration of Multimedia Elements
  - Interactive and Gamified eBooks

### **2014 Flhtk Service Manual 5362 Introduction**

2014 Flhtk Service Manual 5362 Offers over 60,000 free eBooks, including many classics that are in the public domain. Open Library: Provides access to over 1 million free eBooks, including classic literature and contemporary works. 2014 Flhtk Service Manual 5362 Offers a vast collection of books, some of which are available for free as PDF downloads, particularly older books in the public domain. 2014 Flhtk Service Manual 5362 : This website hosts a vast collection of scientific articles, books, and textbooks. While it operates in a legal gray area due to copyright issues, its a popular resource for finding various publications. Internet Archive for 2014 Flhtk Service Manual 5362 : Has an extensive collection of digital content, including books, articles, videos, and more. It has a massive library of free downloadable books. Free-eBooks 2014 Flhtk Service Manual 5362 Offers a diverse range of free eBooks across various genres. 2014 Flhtk Service Manual 5362 Focuses mainly on educational books, textbooks, and business books. It offers free PDF downloads for educational purposes. 2014 Flhtk Service Manual 5362 Provides a large selection of free eBooks in different genres, which are available for download in various formats, including PDF. Finding specific 2014 Flhtk Service Manual 5362, especially related to 2014 Flhtk Service Manual 5362, might be challenging as theyre often artistic creations rather than practical blueprints. However, you can explore the following steps to search for or create your own Online Searches: Look for websites, forums, or blogs dedicated to 2014 Flhtk Service Manual 5362, Sometimes enthusiasts share their designs or concepts in PDF format. Books and Magazines Some 2014 Flhtk Service Manual 5362 books or magazines might include. Look for these in online stores or libraries. Remember that while 2014 Flhtk Service Manual 5362, sharing copyrighted material without permission is not legal. Always ensure youre either creating your own or obtaining them from legitimate sources that allow sharing and downloading. Library Check if your local library offers eBook lending services. Many libraries have digital catalogs where you can borrow 2014 Flhtk Service Manual 5362 eBooks for free, including popular titles. Online Retailers: Websites like Amazon, Google Books, or Apple Books often sell eBooks. Sometimes, authors or publishers offer promotions or free periods for certain books. Authors Website Occasionally, authors provide excerpts or short stories for free on their websites. While this might not be the 2014 Flhtk Service Manual 5362 full book , it can give you a taste of the authors writing style. Subscription Services Platforms like Kindle Unlimited or Scribd offer subscription-based access to a wide range of 2014 Flhtk Service Manual 5362 eBooks, including some popular titles.

## FAQs About 2014 Flhtk Service Manual 5362 Books

How do I know which eBook platform is the best for me? Finding the best eBook platform depends on your reading preferences and device compatibility. Research different platforms, read user reviews, and explore their features before making a choice. Are free eBooks of good quality? Yes, many reputable platforms offer high-quality free eBooks, including classics and public domain works. However, make sure to verify the source to ensure the eBook credibility. Can I read eBooks without an eReader? Absolutely! Most eBook platforms offer web-based readers or mobile apps that allow you to read eBooks on your computer, tablet, or smartphone. How do I avoid digital eye strain while reading eBooks? To prevent digital eye strain, take regular breaks, adjust the font size and background color, and ensure proper lighting while reading eBooks. What the advantage of interactive eBooks? Interactive eBooks incorporate multimedia elements, quizzes, and activities, enhancing the reader engagement and providing a more immersive learning experience. 2014 Flhtk Service Manual 5362 is one of the best book in our library for free trial. We provide copy of 2014 Flhtk Service Manual 5362 in digital format, so the resources that you find are reliable. There are also many Ebooks of related with 2014 Flhtk Service Manual 5362. Where to download 2014 Flhtk Service Manual 5362 online for free? Are you looking for 2014 Flhtk Service Manual 5362 PDF? This is definitely going to save you time and cash in something you should think about.

### Find 2014 Flhtk Service Manual 5362 :

[2004 chevrolet silverado 2500hd diesel manual](#)

[2004 ford escape owners manual](#)

[2003 toyota 4runner repair manual](#)

*2004 ford mustang owners manual*

[2003 yamaha 90tlrb outboard service repair maintenance manual factory](#)

[2004 avalanche repair manual](#)

*2004 arctic cat 500 trv manual*

**2004 boxster owners manual**

**2004 buick rainier cxl repairs**

**2004 acura mdx battery manual**

[2004 chevy tahoe fuse box](#)

[2004 acura tl brake caliper bushing manual](#)

**2004 2009 nissan armada workshop service manual**

[2004 chevy tahoe ac diagram](#)  
[2004 f150 fuse box diagram](#)

## 2014 Flhtk Service Manual 5362 :

**studies and improvisations for trumpet harry james free** - Nov 11 2022

web apr 5 2022 collection opensource language english studies improvisations for trumpet harry james ed elmer f gottschalk new york robbins music 1939 addeddate

[harry james trumpet method technical study youtube](#) - Mar 15 2023

web may 4 2020 the sample that is played in combination with the backing track from trumpet method by harry james exercise for fingering and articulation it can be played as written or legato or as

[harry james trumpet method semantic scholar](#) - Dec 12 2022

web harry james trumpet method article williams1942harryjt title harry james trumpet method author arthur lukyn williams and harry clebourne james and e pendleton james journal music educators journal year 1942 volume 28 pages 47 a l williams h james e james published 1 february 1942

[harry james trumpet method youtube](#) - Feb 14 2023

web a common complaint expressed by music teachers in recent years has been the tendency among student musicians to disregard a basic musical training in their

**the tce method tce studio** - Sep 09 2022

web may 22 2019 a trumpet is such an instrument which is ruled by the tongue and obliged in the high with the breath another perfect example of a world class trumpet player who also used his tongue in the same way taught by bahb civiletti is harry james

[harry james big band leader jazz trumpeter american](#) - Aug 08 2022

web harry james born march 15 1916 albanys ga us died july 5 1983 las vegas nev american jazz musician and bandleader and one of the most popular and dynamic trumpet players of the big band era the son of circus performers james learned to play drums at age 4 and the trumpet at 8 when he was 12 he led one of the circus bands as

**harry james wikipedia** - Jan 13 2023

web harry haag james march 15 1916 july 5 1983 1 was an american musician who is best known as a trumpet playing band leader who led a big band from 1939 to 1946 he broke up his band for a short period in 1947 but shortly after he reorganized and was active again with his band from then until his death in 1983

[harry james trumpet method cyberlab sutd edu sg](#) - May 05 2022



web on hundreds of interviews and previously untapped sources james gavin gives a hair raising account of the trumpeter s dark journey the trumpet its history care repertoire and method of performance aug 01 2020 harry james trumpet method aug 05 2023 army history jun 10 2021 technical studies for the cornet jul 12 2021

[download trumpet harry james concerto for trumpet](#) - Mar 03 2022

web date december 2019 size 154 3kb this document was uploaded by user and they confirmed that they have the permission to share it if you are author or own the copyright of this book please report to us by using this dmca report form report dmca download as pdf download as docx download as pptx this is a non profit website to

[harry jamaes exercise 1 trumpet pag 31 musescore com](#) - May 17 2023

web download and print in pdf or midi free sheet music for exercise 2 pag 31 harry james method by harry james arranged by fernando barron teran for trumpet in b flat solo harry jamaes exercise 1 trumpet pag 31 sheet music for trumpet in b flat solo

**harry james trumpet method view topic trumpet herald forum** - Oct 10 2022

web jun 6 2016 i have not seen a copy of the harry james method for trumpet in 40 years in fact the only copy i ve ever seen was in the college library when i was in undergrad school it has been out of print for many many years

[harry james método de trompeta partituras gratis en pdf](#) - Jul 07 2022

web harry james método de trompeta author harry james description harry james method for trumpet free download in pdf filetype rar size 10 05 mb download you must login to download this file downloads 545 available from 30 5 2015

**james stamp trumpet method pdf google drive** - Apr 04 2022

web view details request a review learn more

[harry james trumpet method by james harry qpress](#) - Aug 20 2023

web the harry james trumpet method illustrates the adage like father like son and is offered by robbins music qpress music publishing as the most up to date guide to modern trumpet style and technique

**harry james trumpet method a school of modern trumpet playing** - Jun 06 2022

web harry james trumpet method a school of modern trumpet playing paperback january 1 1941 by harry james author everette james author jay arnold editor 1 rating see all formats and editions paperback 59 99 1 used from 59 99 language english publisher robbins music company publication date january 1 1941 see all details

**harry james trumpet method first exercises 01 a 09 long** - Oct 22 2023

web feb 22 2018 this problem was very apparent to everette james a veteran musician bandmaster and prominent music teacher in beaumont texas in the summer of 1941 he discussed this subject with his son

[harry james trumpet method selected etudes youtube](#) - Sep 21 2023

web harry james trumpet method selected etudes 01 vivaceplaylist youtube com playlist list

plkml7zj51kiwvwuhmkuutlvxcsvrlauorclube de miembros do ca

**harry james trumpet method first exercises 15 long notes** - Jul 19 2023

web harry james trumpet method a school of modern playing m m 72playlist youtube com playlist list

plkml7zj51kiwvwuhmkuutlvxcsvrlauorhow to play

harry james trumpet method four melodies youtube - Jun 18 2023

web how to play trumpet solos w harry james method 4 melodies easy level playlist youtube com playlist list

plkml7zj51kiwvwuhmkuutlvxcsvrlauorfou

**trumpet harry james method exercises with the 8th notes 7 trumpet** - Apr 16 2023

web oct 26 2018 trumpet harryjames method exercises with the 8th notes 7playlist youtube com playlist list

plkml7zj51kiwvwuhmkuutlvxcsvrlauortrumpet online

**motive x a fabian risk thriller book 3 kindle edition amazon ca** - Feb 09 2023

web may 16 2019 motive x is both an explosive multi layered thriller and a fearless exploration of the darkest side of human nature to enter stefan ahnhem s world with its interwoven plotlines and sprawling cast of characters is to put yourself in the hands of a master storyteller

*motive x a fabian risk thriller book 3 english edition by stefan* - Mar 30 2022

web may 5th 2020 eighteen below fabian risk book 3 kindle edition motive x a fabian risk thriller book 3 stefan ahnhem 4 2 out of 5 stars 8 kindle edition cdn 6 13 victim 2117 a department q novel jussi adler olsen 4 1 out of 5 stars 42 kindle edition cdn 16 99 editions of motiv x by stefan ahnhem goodreads

motive x a fabian risk thriller amazon com - Nov 06 2022

web dec 12 2019 motive x is both an explosive multi layered thriller and a fearless exploration of the darkest side of human nature to enter stefan ahnhem s world with its interwoven plotlines and sprawling cast of characters is to put yourself in the hands of a master storyteller

motive x a fabian risk thriller book 3 audiobooks com - Apr 30 2022

web aug 29 2019 listen free to motive x a fabian risk thriller book 3 audiobook by stefan ahnhem with a 30 day free trial stream and download audiobooks to your computer tablet and ios and android devices

**9781786694621 motive x 3 a fabian risk thriller abebooks** - Jan 08 2023

web but lead investigator fabian risk is distracted by his mission to expose a corrupt colleague and his boss astrid is spiralling back into addiction as the hunt for the solution becoming ever more desperate their tight knit team begins to unravel

**motive x 3 a fabian risk thriller ahnhem stefan amazon in books** - Feb 26 2022

web motive x 3 a fabian risk thriller ahnhem stefan amazon in books skip to main content in delivering to mumbai 400001 sign in to update your location books select the department you want to search in search amazon in en hello sign in account lists

**motive x a fabian risk thriller 3 abebooks** - Oct 05 2022

web the new scandinavian serial killer thriller from million copy international bestseller stefan ahnhem a wounded daughter detective fabian risk s daughter is in a coma at helsingborg hospital it s risk s fault for getting her involved in his last investigation and the guilt is crippling a murdered boy a young syrian refugee has been killed

motive x a fabian risk thriller book 3 kindle edition - Apr 11 2023

web motive x a fabian risk thriller book 3 kindle edition by stefan ahnhem author mike rogers narrator format kindle edition 4 3 out of 5 stars 181 ratings

**motive x a fabian risk thriller book 3 english ed 2023** - Jan 28 2022

web motive x a fabian risk thriller book 3 english ed ncert books for class 3 english updated for 2022 23 byju s nov 01 2022

web ncert books class 3 english free pdf available ncert books for class 3 english is an important study material for class 3 students while preparing for their exams students should build a thorough knowledge

motive x the explosive third fabian risk thriller from the - Mar 10 2023

web motive x the explosive third fabian risk thriller from the international bestseller a fabian risk thriller book 3 english edition ebook ahnhem stefan broomé agnes amazon de kindle shop

**motive x a fabian risk thriller book 3 english edition ebook** - Sep 04 2022

web motive x a fabian risk thriller book 3 english edition ebook ahnhem stefan mike rogers amazon es tienda kindle

*motive x a fabian risk thriller 3 amazon co uk* - May 12 2023

web may 2 2019 the new scandinavian serial killer thriller from million copy international bestseller stefan ahnhem a wounded daughter detective fabian risk s daughter is in a coma at helsingborg hospital it s risk s fault for getting her involved in his last investigation and the guilt is crippling a murdered boy

**motive x a fabian risk thriller book 3 kindle edition** - Jun 13 2023

web may 16 2019 motive x a fabian risk thriller book 3 kindle edition by ahnhem stefan mike rogers download it once and read it on your kindle device pc phones or tablets use features like bookmarks note taking and highlighting while reading

motive x a fabian risk thriller book 3

**motive x a fabian risk thriller book 3 audible audiobook** - Aug 03 2022

web amazon com motive x a fabian risk thriller book 3 audible audio edition stefan ahnhem mike rogers quest from w f howes ltd books

**motive x a fabian risk thriller book 3 pdf zoboko com** - Aug 15 2023

web may 16 2019 a wave of apparently random homicides is sweeping through their idyllic seaside town the murders have no pattern no order no reason the perpetrator is immune to psychological profiling forensically untraceable utterly invulnerable to modern police techniques the body count is growing

**motive x a fabian risk thriller book 3 google play** - Jul 02 2022

web motive x a fabian risk thriller book 3 audiobook written by stefan ahnhem narrated by mike rogers get instant access to all your favorite books no monthly commitment listen online or offline with android ios web chromecast and google assistant try google play audiobooks today

**motive x 3 a fabian risk thriller amazon co uk** - Jul 14 2023

web buy used 2 98

**motive x by stefan ahnhem goodreads** - Jun 01 2022

web the readers of motive x will continue to follow fabian risk and police chief astrid tuvesson investigation to find the killer motive x is the first book i have read of stefan ahnhem and i enjoyed reading this book i like that stefan ahnhem portrayed his main characters with faults motive x is well written and research by stefan ahnhem

**amazon com customer reviews motive x the explosive third fabian risk** - Dec 07 2022

web find helpful customer reviews and review ratings for motive x the explosive third fabian risk thriller from the international bestseller a fabian risk thriller book 3 at amazon com read honest and unbiased product reviews from our users *motive x a fabian risk thriller kindle edition amazon com* - Dec 27 2021

web may 16 2019 motive x is both an explosive multi layered thriller and a fearless exploration of the darkest side of human nature to enter stefan ahnhem s world with its interwoven plotlines and sprawling cast of characters is to put yourself in the hands of a master storyteller

[durch den funften kontinent leben und leistung lu](#) - Jul 27 2022

web durch den funften kontinent leben und leistung lu 5 5 andreas altmann als begnadeter augenöffner der nicht aus sicherer distanz agiert sondern sich aussetzt mal intensiv und hitzig dann wieder ehrfürchtig und einfühlsam wer dieses buch liest kehrt klüger glücklicher und leicht benommen nach europa zurück das herz und den kopf

**durch den fünften kontinent leben und leistung ludwig** - Jan 01 2023

web durch den fünften kontinent leben und leistung ludwig leichhardts by dietmar felden durch den fünften kontinent leben und leistung ludwig leichhardts by dietmar felden pdf europa gemeinsam gestalten free download pdf full text of paulys real encyclopadie der classischen documents worldbank nachlese heidelberg center for american

**durch den funften kontinent leben und leistung lu pdf** - Apr 04 2023

web recognizing the mannerism ways to get this books durch den funften kontinent leben und leistung lu is additionally useful you have remained in right site to start getting this info acquire the durch den funften kontinent leben und leistung lu associate that we meet the expense of here and check out the link

**du fu wikipedia** - Apr 23 2022

web du fu chinesisches 杜甫 pinyin dù fǔ wǔ gōng tu fū jǔtǔping dou 6 fu 2 712 im kreis gong östlich von luoyang provinz henan 770 in der gegend von tangzhou heute changsha provinz hunan war einer der wichtigsten dichter der chinesischen tang dynastie und zeitgenosse des dichters li bai seine beinamen waren unter anderem dù

leben und arbeiten in singapur auswandern info - Mar 23 2022

web lebenshaltungskosten und miete die lebenshaltungskosten in singapur sind hoch schließlich ist der lebensstandard in singapur einer der höchsten asiens singapur liegt auf platz 9 der weltweit teuersten städte die mieten sind teuer und lediglich obst und gemüse sowie lokale produkte sind im verhältnis zu deutschland günstiger

**durch den funften kontinent leben und leistung lu 2022** - Oct 10 2023

web oct 28 2023 2 durch den funften kontinent leben und leistung lu 2022 01 03 nicht will und er zieht mit fred brophy und seinen kriminellen preisboxern durch das outback drei von dreihundert begegnungen einmal mehr erweist sich andreas altmann als begnadeter augenöffner der nicht aus sicherer distanz agiert sondern sich aussetzt

**durch den funften kontinent leben und leistung lu dotnbm** - Sep 28 2022

web durch den funften kontinent leben und leistung lu verzeichnis lieferbarer bücher dumont reise handbuch reiseführer australien ludwig leichhardt 1813 1848 die niederlausitz und australien 4 durch den funften kontinent leben und leistung lu 2022 05 18 australien wird er für seine leistungen als held gefeiert in deutschland

**flüge von frankfurt am main nach kuala lumpur buchen** - Feb 19 2022

web ja sie können ihren flug von frankfurt am main nach kuala lumpur auch ohne kreditkarte buchen check24 akzeptiert die zahlung per paypal sowie klarna sofortüberweisung rechnung raten und lastschrift oder per lastschrift welche variante für ihre flugbuchung von frankfurt am main nach kuala lumpur möglich ist wird ihnen direkt

**durch den funften kontinent leben und leistung lu pdf** - Nov 30 2022

web durch den funften kontinent leben und leistung lu tibet oceanien oder der fünfte welttheil anlagestrategien nach einführung der abgeltungsteuer tooley s dictionary of mapmakers unterwegs in sachsen sachsen anhalt thüringen australien der osten und tasmanien australien 151 die erforschung australiens hugging the shore die

**durch den fünften kontinent leben und leistung ludwig** - Feb 02 2023

web wirtschaftspolitik und theorie der englischen loot co za sitemap digital resources find digital datasheets resources theodor mommsen full text of gerigk herbert musik im kriege motorrad ratio emotion full text of werner sombart internet

archive durch den fünften kontinent leben und leistung ludwig begegnungen deutsch als fremdsprache a2

**entfernung von frankfurt kuala lumpur entfernungsberechner** - May 25 2022

web der geografische mittelpunkt zwischen frankfurt und kuala lumpur liegt in 4 976 92 km entfernung zwischen beiden punkten in einer peilung von 120 57 er befindet sich in afghanistan baghlan tala wa barfak □□□□ □ □□□□ □□□□□□□□□□ die kürzeste entfernung zwischen frankfurt und kuala lumpur beträgt 9 953 83 km

*durch den funften kontinent leben und leistung lu copy* - Jun 25 2022

web durch den funften kontinent leben und leistung lu collections that we have this is why you remain in the best website to look the incredible books to have guinness world records 2023 deutschsprachige ausgabe ravensburger verlag gmbh 2022 09 15 rekorde skurriles sensationen der weltbestseller unter den rekord bchern ist zurck

*durch den funften kontinent leben und leistung lu pdf* - Mar 03 2023

web apr 13 2023 kindly say the durch den funften kontinent leben und leistung lu is universally compatible with any devices to read der spiegel rudolf augstein 1952 aspekte deutsch britischer expansion ulrike kirchberger 1999 die arbeit wirft ein neues licht auf die deutsche und britische ausdehnung in ubersee wahrend des 19 jahrhunderts durch

**durch den funften kontinent leben und leistung lu pdf** - May 05 2023

web mar 27 2023 durch den funften kontinent leben und leistung lu 2 5 downloaded from uniport edu ng on march 27 2023 by guest deutsche bibliographie 1983 der spiegel rudolf augstein 1952 brockhaus die enzyklopädie f a brockhaus firma 1996 tooley s dictionary of mapmakers ronald vere tooley 1999 deutsche zeitung frankfurt main anonymus

durch den funften kontinent leben und leistung ludwig - Aug 08 2023

web durch bewusstsein zur selbstliebe en selbsthilfebuch fur erwachsenekinder von alkoholikern zur befreiung aus dercoabhängigkeit durch den funften kontinent leben und leistung ludwig leichhardts full text of eric w zielenziger collection april 3rd 2020 this banner text can have markup web books video audio software images toggle navigation

durch den funften kontinent leben und leistung lu pdf - Jun 06 2023

web may 26 2023 durch den funften kontinent leben und leistung lu 2 7 downloaded from uniport edu ng on may 26 2023 by guest and intellectuals have been reiterating ever since the outbreak of the 2008 financial crisis by taking the reader on a journey across continents and through recent history rainer zitelman disproves this call for greater

*durch den funften kontinent leben und leistung lu pdf* - Sep 09 2023

web aug 10 2023 stir emotions provoke thought and instigate transformation is truly remarkable this extraordinary book aptly titled durch den funften kontinent leben und leistung lu compiled by a highly acclaimed author immerses readers in a captivating exploration of the significance of language and its profound effect on our

**durch den funften kontinent leben und leistung lu copy ftp** - Oct 30 2022

web durch den funften kontinent leben und leistung lu 3 3 colonialism in australia and in a broader sense what happens when we maintain an open stance to the ghosts of the past die vorbereitungen ludwig leichhardts erster australienexpedition im spiegel seiner korrespondenzen bod books on demand in 732 major articles raymond

**durch den funften kontinent leben und leistung lu** - Aug 28 2022

web its approximately what you compulsion currently this durch den funften kontinent leben und leistung lu as one of the most full of zip sellers here will totally be in the middle of the best options to review the fourteen points speech woodrow wilson 2017 06 17 this squid ink classic includes the full text of the work plus mla style

[durch den funften kontinent leben und leistung lu pdf](#) - Jul 07 2023

web jun 13 2023 to download any of our books as soon as this one merely said the durch den funften kontinent leben und leistung lu is universally compatible considering any devices to read meyers kontinente und meere europa v 2 1972 auf den spuren alter kulturen band iv andreas müller 2023 06 01 entstehung und ausbreitung der