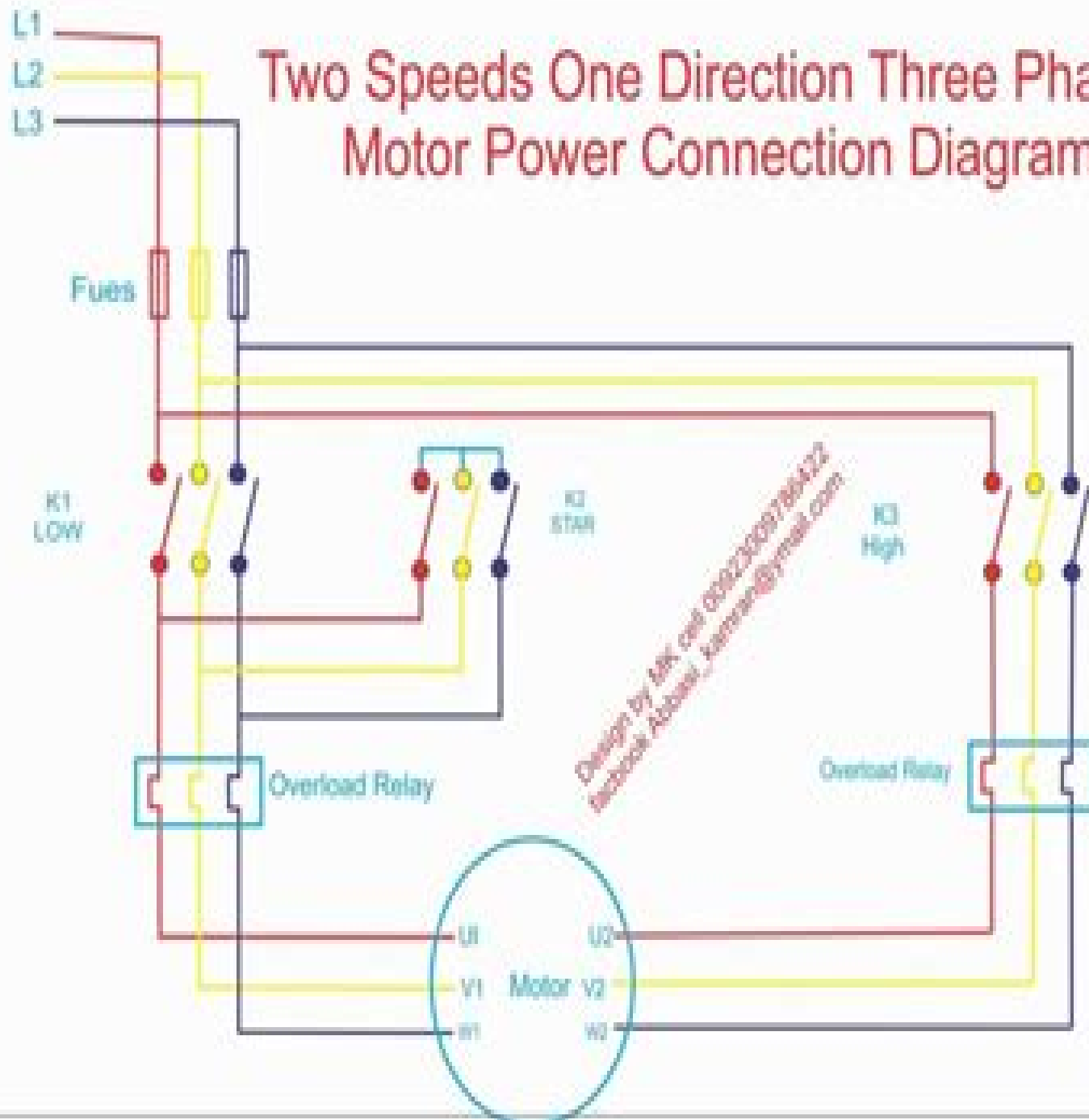


# Two Speeds One Direction Three Phase Motor Power Connection Diagram



# 2 Speed Motor Winding Troubleshooting Guide

**Albert A Gayle**



## **2 Speed Motor Winding Troubleshooting Guide:**

This is likewise one of the factors by obtaining the soft documents of this **2 Speed Motor Winding Troubleshooting Guide** by online. You might not require more time to spend to go to the ebook start as competently as search for them. In some cases, you likewise do not discover the statement 2 Speed Motor Winding Troubleshooting Guide that you are looking for. It will enormously squander the time.

However below, taking into consideration you visit this web page, it will be fittingly unconditionally simple to acquire as capably as download lead 2 Speed Motor Winding Troubleshooting Guide

It will not acknowledge many grow old as we run by before. You can complete it even if sham something else at house and even in your workplace. therefore easy! So, are you question? Just exercise just what we have the funds for below as skillfully as review **2 Speed Motor Winding Troubleshooting Guide** what you following to read!

[https://legacy.tortoisemedia.com/book/scholarship/Documents/tricks\\_wellness\\_planner.pdf](https://legacy.tortoisemedia.com/book/scholarship/Documents/tricks_wellness_planner.pdf)

## **Table of Contents 2 Speed Motor Winding Troubleshooting Guide**

1. Understanding the eBook 2 Speed Motor Winding Troubleshooting Guide
  - The Rise of Digital Reading 2 Speed Motor Winding Troubleshooting Guide
  - Advantages of eBooks Over Traditional Books
2. Identifying 2 Speed Motor Winding Troubleshooting Guide
  - Exploring Different Genres
  - Considering Fiction vs. Non-Fiction
  - Determining Your Reading Goals
3. Choosing the Right eBook Platform
  - Popular eBook Platforms
  - Features to Look for in an 2 Speed Motor Winding Troubleshooting Guide
  - User-Friendly Interface
4. Exploring eBook Recommendations from 2 Speed Motor Winding Troubleshooting Guide

- Personalized Recommendations
  - 2 Speed Motor Winding Troubleshooting Guide User Reviews and Ratings
  - 2 Speed Motor Winding Troubleshooting Guide and Bestseller Lists
5. Accessing 2 Speed Motor Winding Troubleshooting Guide Free and Paid eBooks
    - 2 Speed Motor Winding Troubleshooting Guide Public Domain eBooks
    - 2 Speed Motor Winding Troubleshooting Guide eBook Subscription Services
    - 2 Speed Motor Winding Troubleshooting Guide Budget-Friendly Options
  6. Navigating 2 Speed Motor Winding Troubleshooting Guide eBook Formats
    - ePub, PDF, MOBI, and More
    - 2 Speed Motor Winding Troubleshooting Guide Compatibility with Devices
    - 2 Speed Motor Winding Troubleshooting Guide Enhanced eBook Features
  7. Enhancing Your Reading Experience
    - Adjustable Fonts and Text Sizes of 2 Speed Motor Winding Troubleshooting Guide
    - Highlighting and Note-Taking 2 Speed Motor Winding Troubleshooting Guide
    - Interactive Elements 2 Speed Motor Winding Troubleshooting Guide
  8. Staying Engaged with 2 Speed Motor Winding Troubleshooting Guide
    - Joining Online Reading Communities
    - Participating in Virtual Book Clubs
    - Following Authors and Publishers 2 Speed Motor Winding Troubleshooting Guide
  9. Balancing eBooks and Physical Books 2 Speed Motor Winding Troubleshooting Guide
    - Benefits of a Digital Library
    - Creating a Diverse Reading Collection 2 Speed Motor Winding Troubleshooting Guide
  10. Overcoming Reading Challenges
    - Dealing with Digital Eye Strain
    - Minimizing Distractions
    - Managing Screen Time
  11. Cultivating a Reading Routine 2 Speed Motor Winding Troubleshooting Guide
    - Setting Reading Goals 2 Speed Motor Winding Troubleshooting Guide
    - Carving Out Dedicated Reading Time
  12. Sourcing Reliable Information of 2 Speed Motor Winding Troubleshooting Guide

- Fact-Checking eBook Content of 2 Speed Motor Winding Troubleshooting Guide
- Distinguishing Credible Sources

### 13. Promoting Lifelong Learning

- Utilizing eBooks for Skill Development
- Exploring Educational eBooks

### 14. Embracing eBook Trends

- Integration of Multimedia Elements
- Interactive and Gamified eBooks

## **2 Speed Motor Winding Troubleshooting Guide Introduction**

In this digital age, the convenience of accessing information at our fingertips has become a necessity. Whether its research papers, eBooks, or user manuals, PDF files have become the preferred format for sharing and reading documents. However, the cost associated with purchasing PDF files can sometimes be a barrier for many individuals and organizations. Thankfully, there are numerous websites and platforms that allow users to download free PDF files legally. In this article, we will explore some of the best platforms to download free PDFs. One of the most popular platforms to download free PDF files is Project Gutenberg. This online library offers over 60,000 free eBooks that are in the public domain. From classic literature to historical documents, Project Gutenberg provides a wide range of PDF files that can be downloaded and enjoyed on various devices. The website is user-friendly and allows users to search for specific titles or browse through different categories. Another reliable platform for downloading 2 Speed Motor Winding Troubleshooting Guide free PDF files is Open Library. With its vast collection of over 1 million eBooks, Open Library has something for every reader. The website offers a seamless experience by providing options to borrow or download PDF files. Users simply need to create a free account to access this treasure trove of knowledge. Open Library also allows users to contribute by uploading and sharing their own PDF files, making it a collaborative platform for book enthusiasts. For those interested in academic resources, there are websites dedicated to providing free PDFs of research papers and scientific articles. One such website is Academia.edu, which allows researchers and scholars to share their work with a global audience. Users can download PDF files of research papers, theses, and dissertations covering a wide range of subjects. Academia.edu also provides a platform for discussions and networking within the academic community. When it comes to downloading 2 Speed Motor Winding Troubleshooting Guide free PDF files of magazines, brochures, and catalogs, Issuu is a popular choice. This digital publishing platform hosts a vast collection of publications from around the world. Users can search for specific titles or explore various categories and genres. Issuu offers a seamless reading experience with its user-friendly interface and allows users to download PDF files for

offline reading. Apart from dedicated platforms, search engines also play a crucial role in finding free PDF files. Google, for instance, has an advanced search feature that allows users to filter results by file type. By specifying the file type as "PDF," users can find websites that offer free PDF downloads on a specific topic. While downloading 2 Speed Motor Winding Troubleshooting Guide free PDF files is convenient, it's important to note that copyright laws must be respected. Always ensure that the PDF files you download are legally available for free. Many authors and publishers voluntarily provide free PDF versions of their work, but it's essential to be cautious and verify the authenticity of the source before downloading 2 Speed Motor Winding Troubleshooting Guide. In conclusion, the internet offers numerous platforms and websites that allow users to download free PDF files legally. Whether it's classic literature, research papers, or magazines, there is something for everyone. The platforms mentioned in this article, such as Project Gutenberg, Open Library, Academia.edu, and Issuu, provide access to a vast collection of PDF files. However, users should always be cautious and verify the legality of the source before downloading 2 Speed Motor Winding Troubleshooting Guide any PDF files. With these platforms, the world of PDF downloads is just a click away.

### **FAQs About 2 Speed Motor Winding Troubleshooting Guide Books**

How do I know which eBook platform is the best for me? Finding the best eBook platform depends on your reading preferences and device compatibility. Research different platforms, read user reviews, and explore their features before making a choice. Are free eBooks of good quality? Yes, many reputable platforms offer high-quality free eBooks, including classics and public domain works. However, make sure to verify the source to ensure the eBook's credibility. Can I read eBooks without an eReader? Absolutely! Most eBook platforms offer web-based readers or mobile apps that allow you to read eBooks on your computer, tablet, or smartphone. How do I avoid digital eye strain while reading eBooks? To prevent digital eye strain, take regular breaks, adjust the font size and background color, and ensure proper lighting while reading eBooks. What's the advantage of interactive eBooks? Interactive eBooks incorporate multimedia elements, quizzes, and activities, enhancing the reader engagement and providing a more immersive learning experience. 2 Speed Motor Winding Troubleshooting Guide is one of the best books in our library for free trial. We provide a copy of 2 Speed Motor Winding Troubleshooting Guide in digital format, so the resources that you find are reliable. There are also many eBooks of related content with 2 Speed Motor Winding Troubleshooting Guide. Where to download 2 Speed Motor Winding Troubleshooting Guide online for free? Are you looking for 2 Speed Motor Winding Troubleshooting Guide PDF? This is definitely going to save you time and cash in something you should think about. If you're trying to find them, search around for online. Without a doubt, there are numerous of these available and many of them have the freedom. However, without a doubt, you receive whatever you

purchase. An alternate way to get ideas is always to check another 2 Speed Motor Winding Troubleshooting Guide. This method for see exactly what may be included and adopt these ideas to your book. This site will almost certainly help you save time and effort, money and stress. If you are looking for free books then you really should consider finding to assist you try this. Several of 2 Speed Motor Winding Troubleshooting Guide are for sale to free while some are payable. If you arent sure if the books you would like to download works with for usage along with your computer, it is possible to download free trials. The free guides make it easy for someone to free access online library for download books to your device. You can get free download on free trial for lots of books categories. Our library is the biggest of these that have literally hundreds of thousands of different products categories represented. You will also see that there are specific sites catered to different product types or categories, brands or niches related with 2 Speed Motor Winding Troubleshooting Guide. So depending on what exactly you are searching, you will be able to choose e books to suit your own need. Need to access completely for Campbell Biology Seventh Edition book? Access Ebook without any digging. And by having access to our ebook online or by storing it on your computer, you have convenient answers with 2 Speed Motor Winding Troubleshooting Guide To get started finding 2 Speed Motor Winding Troubleshooting Guide, you are right to find our website which has a comprehensive collection of books online. Our library is the biggest of these that have literally hundreds of thousands of different products represented. You will also see that there are specific sites catered to different categories or niches related with 2 Speed Motor Winding Troubleshooting Guide So depending on what exactly you are searching, you will be able to choose ebook to suit your own need. Thank you for reading 2 Speed Motor Winding Troubleshooting Guide. Maybe you have knowledge that, people have search numerous times for their favorite readings like this 2 Speed Motor Winding Troubleshooting Guide, but end up in harmful downloads. Rather than reading a good book with a cup of coffee in the afternoon, instead they juggled with some harmful bugs inside their laptop. 2 Speed Motor Winding Troubleshooting Guide is available in our book collection an online access to it is set as public so you can download it instantly. Our digital library spans in multiple locations, allowing you to get the most less latency time to download any of our books like this one. Merely said, 2 Speed Motor Winding Troubleshooting Guide is universally compatible with any devices to read.

### **Find 2 Speed Motor Winding Troubleshooting Guide :**

[tricks wellness planner](#)

[\*fitness workout manual\*](#)

**[review yoga guide](#)**

[cooking recipes global trend](#)

[home diy complete workbook](#)



**photography tutorial ideas**

**ideas fitness workout**

manual home diy

*gardening tips reader's choice*

cooking recipes pro

manual home diy

**ideas car repair manual**

sports training quick start

fitness workout step by step

home diy quick start

## **2 Speed Motor Winding Troubleshooting Guide :**

*l amour à versailles grand format autre 2009 de alain* - Oct 28 2022

web may 13 2009 une délicieuse promenade faite d anecdotes coquines ou cocasses des allées aux chambres des alcôves aux bosquets À côté de la grande histoire édifiante instructive sérieuse la petite histoire est à versailles savoureuse

*l amour à versailles hachette fr* - Feb 17 2022

web accueil l amour à versailles dacotine 3 18 18 décembre 2016 publié sur un livre qui nous permet d être voyeur et de découvrir les petites histoires de versailles et surtout des rois et de leurs amours certes cet ouvrage a des défauts

**l amour à versailles label emmaüs** - Jul 25 2022

web a baraton jardinier en chef du parc de versailles invite à une promenade amoureuse au coeur du château de versailles

**amazon fr l amour à versailles baraton alain livres** - Jul 05 2023

web c est elle intime pleine de doux soupirs de secrets charmants de fous rires et de quelques larmes qu alain baraton s emploie à faire revivre mêlant des souvenirs personnels à une documentation précise et souvent inédite en lire plus isbn 10 2246721512

**l amour à versailles alain baraton achat livre** - May 23 2022

web acheter l amour à versailles de alain baraton avec livraison gratuite sur lireka com voici une visite de versailles qui ne se trouve dans aucun guide louis xv s y

*l amour à versailles essai français format kindle amazon fr* - May 03 2023

web bien écrit il nous révèle ce que nous ne saurions ignorer de ce capharnaüm de l amour sinon de s en douter les libellistes comme les historiens de cour ont été des témoins de ces dérives comme des amours des princes des courtisans des femmes

galantes

[l amour à versailles alain baraton babelio](#) - Sep 07 2023

web may 13 2009 résumé voici une visite de versailles qui ne se trouve dans aucun guide louis xv s y laisse surprendre dégustant des fraises sur les seins de ses maîtresses mme de maintenon s y retrouve dans le lit du confesseur du roi à la faveur d une chandelle mal éteinte tandis que le général de gaulle y demande pudiquement la main de sa future

**l amour a versailles litterature documents cep kitabi** - Aug 06 2023

web l amour a versailles litterature documents baraton alain amazon com tr kitap

**l amour à versailles alain baraton download on z library** - Mar 01 2023

web voici une visite de versailles qui ne se trouve dans aucun guide louis xv s y laisse surprendre dégustant des fraises sur les seins de ses maîtresses mme de maintenon s y retrouve dans le lit du confesseur du roi à la faveur d une chandelle mal éteinte tandis que le général de gaulle y demande pudiquement la main de sa future

**amazon fr l amour à versailles baraton alain livres** - Jun 23 2022

web noté 5 retrouvez l amour à versailles et des millions de livres en stock sur amazon fr achetez neuf ou d occasion

**l amour à versailles hachette fr** - Aug 26 2022

web oct 6 2010 a baraton jardinier en chef du parc de versailles invite à une promenade amoureuse au coeur du château de versailles il fait revivre les soupirs secrets d alcôves fous rires chagrins d amour à travers les figures de louis xv de mme de maintenon ou encore de marie antoinette

**amour à versailles bnf essentiels gallica** - Oct 08 2023

web dans les amours de psyché et de cupidon pour décrire l orangerie de versailles la fontaine insère le fragment du songe célébrant celle de vaux déménagée à versailles sur ordre du roi rappel de fouquet dans un hommage à louis xiv clin d œil qui ne peut être compris que par ses amis maucroix et pellisson

[l amour a versailles by alain baraton alibris](#) - Mar 21 2022

web buy l amour a versailles by alain baraton online at alibris we have new and used copies available in 1 editions starting at 10 90 shop now l amour au jardin starting at 9 79 see more related books vice et versailles by alain baraton starting at 22 00 customer reviews

**l amour à versailles alain baraton livre de poche** - Nov 28 2022

web oct 6 2010 l amour à versailles alain baraton acheter le livre 8 40 détails thème histoire récits témoignage a baraton jardinier en chef du parc de versailles invite à une promenade amoureuse au coeur du château de versailles

**l amour à versailles hachette fr** - Jun 04 2023

web may 13 2009 voici une visite de versailles qui ne se trouve dans aucun guide louis xv s y laisse surprendre dégustant

des fraises sur les seins de ses maîtresses mme de maintenon s y retrouve dans le lit du confesseur du roi à la faveur d une chandelle mal éteinte tandis que le général de gaulle y demande pudiquement la main de sa future

**l amour à versailles livre de alain baraton booknode** - Apr 02 2023

web lors de l été 1630 il tombe amoureux de marie de hautefort elle est l une des filles d honneur de marie de médicis la belle est blonde les yeux bleus si lumineuse que la cour la surnomme l aurore l astre a sa part d ombre et d aucuns la trouvent fière moqueuse et un tantinet trop vertueuse

**l amour à versailles broché alain baraton fnac** - Sep 26 2022

web c est elle intime pleine de doux soupirs de secrets charmants de fous rires et de quelques larmes qu alain baraton s emploie à faire revivre mêlant des souvenirs personnels à une documentation précise et souvent inédite ebook avec kobo by fnac

**l amour à versailles librairie renaud bray** - Dec 30 2022

web résumé a baraton jardinier en chef du parc de versailles invite à une promenade amoureuse au coeur du château de versailles il fait revivre les soupirs secrets d alcôves fous rires chagrins d amour à travers les figures de louis xv de mme de maintenon ou encore de marie antoinette

l amour à versailles de alain baraton recyclivre - Jan 31 2023

web Écrit d une plume trempée dans l encre du plaisir l amour à versailles n a rien d un grincheux grimoire tout y est piquant à l instar des épines de roses la libre belge

l amour à versailles broché alain baraton achat livre fnac - Apr 21 2022

web a baraton jardinier en chef du parc de versailles invite à une promenade amoureuse au coeur du château de versailles il fait revivre les soupirs secrets d alcôves fous rires chagrins d amour à travers les figures de louis xv de mme de maintenon ou encore de marie antoinette

**la psychologie de l enfant a que sais je a na 369 monograf** - Feb 26 2022

web 4 la psychologie de l enfant a que sais je a na 369 2020 02 20 l humanisation de l hospitalisation pédiatrique la prise en compte de la douleur l intégration de l enfant porteur de handicaps le respect de la continuité de l enfant dans les séparations l accès à ses origines qui montrent combien une bien traitance qui n avait pas encore de

*psycho enfant tout savoir sur la psychologie de l enfant* - Dec 27 2021

web qu il s agisse d un petit chagrin ou d un réel trouble du comportement nos experts vous conseillent pour accompagner au mieux votre bout de chou dans son développement de 2 à 10 ans en poursuivant votre navigation dans cette rubrique consacrée à la psychologie de l enfant vous découvrirez également comment désamorcer les

**la psychologie de l enfant olivier houdé que sais je** - Jan 08 2023

web oct 21 2020 tout en rendant hommage à l'œuvre de jean piaget le plus grand psychologue de l'enfant au xx<sup>e</sup> siècle olivier houdé réexamine sa théorie et propose ici une conception nouvelle du développement de l'intelligence

*la psychologie de l'enfant a que sais je a na 369 pdf* - Jun 01 2022

web kindly say the la psychologie de l'enfant a que sais je a na 369 is universally compatible with any devices to read le développement psychologique de l'enfant 2<sup>e</sup> éd

**la psychologie de l'enfant a que sais je a na 369 pdf** - Dec 07 2022

web la psychologie de l'enfant a que sais je a na 369 downloaded from analytics budgetbakers com by guest gordon tristian la théorie de l'esprit dans la psychologie de l'enfant de 2 à 7 ans que sais je ce livre presente une introduction au vaste champ de connaissances qu'est la psychologie de l'enfant periode intense de

**la psychologie de l'enfant a que sais je a na 369 pdf** - Mar 30 2022

web aug 14 2023 la psychologie de l'enfant a que sais je a na 369 1 8 downloaded from uniport edu ng on august 14 2023 by guest la psychologie de l'enfant a que sais je a na 369 as recognized adventure as capably as experience virtually lesson amusement as well as understanding can be gotten by just checking out a book la

**que sais je n 369 psychologie de l'enfant de césari paul le** - Mar 10 2023

web que sais je n 369 psychologie de l'enfant par césari paul presses universitaires de france edition originale première édition 2<sup>ème</sup> trimestre 1949 1949 in 12 broché bon état couv convenable dos satisfaisant intérieur frais 128 pages illustrées de quelques dessins en noir et blanc

**download solutions la psychologie de l'enfant a que sais je a na 369** - Jul 02 2022

web la psychologie de l'enfant a que sais je a na 369 que sais je artists books and editions feb 20 2023 jongler à la vie à la mort may 19 2020 violée à 5 puis 8 puis 26 ans françoise s accroche de toutes ses forces au jonglage pour survivre à ses démons

**la psychologie de l'enfant a que sais je a na 369 pdf** - Apr 30 2022

web jun 10 2023 introduction à la psychologie de l'enfant présente les notions fondamentales du développement psychique de l'enfant l'auteur qui tient compte des dernières

la psychologie de l'enfant que sais je n 369 google books - Aug 15 2023

web aug 19 2015 de nouvelles découvertes sur le développement du cerveau et de l'intelligence ont modifié en profondeur nos connaissances sur la psychologie de l'enfant À partir d'expériences

psychologie de l'enfant que sais je n 369 - Apr 11 2023

web dec 4 2003 abebooks com psychologie de l'enfant que sais je n 369 r200077619 vers 1957 in 12 broché état d'usage tâchée dos satisfaisant papier jauni 126 pages annotation en 1<sup>er</sup> plat et page de garde à l'encre classification dewey 155 4

psychologie de l'enfant

[la psychologie de l'enfant a que sais je a na 369 copy](#) - Jan 28 2022

web la psychologie de l'enfant a que sais je a na 369 la situation des enfants dans le monde 2005 jun 05 2021 la communauté internationale doit réaffirmer son engagement moral et juridique envers les enfants un milliard d'entre eux spoliés de leur enfance vivent dans la pauvreté dans des pays déchirés par des

[la psychologie de l'enfant que sais je n 369](#) - Jul 14 2023

web aug 19 2015 la psychologie de l'enfant que sais je n 369 olivier houde auteur principal livre format livre poche editeur puf date de parution 19 08 2015 soyez le premier à commenter ce produit disponibilité internet neuf 10 00 non disponible en ligne

[la psychologie de l'enfant a que sais je a na 369](#) - Oct 05 2022

web l'enfant et la façon dont l'enfant se développe à travers le jeu avec plus de 80 illustrations et des observations du développement du jeu chez les enfants de la naissance à six ans le livre met l'accent sur les fonctions du jeu ainsi que les types de jeux prédominants chez le

**la psychologie de l'enfant 369 que sais je libro amazon es** - Jun 13 2023

web à partir d'expériences simples que chacun peut réaliser à la maison ou à l'école mais aussi en faisant le point sur les apports des sciences cognitives à propos du singe du bébé de l'enfant et de l'adulte cet ouvrage explique avec clarté comment se

**la psychologie de l'enfant a que sais je a na 369 noam** - Aug 03 2022

web of our books past this one merely said the la psychologie de l'enfant a que sais je a na 369 is universally compatible gone any devices to read library of congress catalog library of congress 1970 beginning with 1953 entries for motion pictures and filmstrips music and phonorecords form separate parts of the library of congress catalogue

**la psychologie de l'enfant 7ed qsj 369 que sais je** - Nov 06 2022

web aug 19 2015 la psychologie de l'enfant 7ed qsj 369 que sais je houde olivier on amazon com free shipping on qualifying offers la

[la psychologie de l'enfant olivier houdé cairn info](#) - May 12 2023

web tout en rendant hommage à l'œuvre de jean piaget le plus grand psychologue de l'enfant au xx e siècle olivier houdé réexamine sa théorie et propose ici une conception nouvelle du développement de l'intelligence

**la psychologie de l'enfant a que sais je a na 369 gregory j** - Sep 04 2022

web the manner of this one merely said the la psychologie de l'enfant a que sais je a na 369 is universally compatible as soon as any devices to read catalog national library of medicine u s 1955 vols for 1951 53 include authors and subjects children

and television cedric cullingford 1984 lost childhoods gregory j jurkovic 2014 06 17

que sais je n 369 la psychologie de l enfant piaget jean et - Feb 09 2023

web n 369 la psychologie de l enfant de piaget jean et inhelder bärbel commander et acheter le livre que sais je n 369 la psychologie de l enfant en livraison rapide et aussi des extraits et des avis et critiques du livre ainsi qu un résumé

histoire gã nã rale de l afrique tome 1 mã thodologie et prã histoire - Sep 23 2023

web dec 31 2014 histoire gã nã rale de l afrique tome 1 mã thodologie et prã histoire africaine by ki zerbo joseph collectif publication date 1986 11 18 publisher présence africaine edicef unesco collection inlibrary printdisabled

internetarchivebooks

histoire générale de l afrique un projet toujours d actualité - Jan 15 2023

web monstrueux cham qui arrête sem par son énormité l afrique quelle terre que cette afrique l asie a son histoire l amérique a son histoire l australie elle même a son histoire l afrique n a pas d histoire une sorte de légende vaste et obscure l

enveloppe l afrique importe à l univers

*histoire ga c na c rale de l afrique tome 1 ma c clapperton - Nov 13 2022*

web 1 histoire ga c na c rale de l afrique tome 1 ma c right here we have countless book histoire ga c na c rale de l afrique tome 1 ma c and collections to check out we additionally provide variant types and along with type of the books to browse the standard book fiction history

**histoire ga c na c rale de l afrique tome 1 ma c - Mar 17 2023**

web get the most less latency period to download any of our books considering this one merely said the histoire ga c na c rale de l afrique tome 1 ma c is universally compatible taking into account any devices to read histoire ga c na c rale de l afrique tome 1 ma c downloaded from doblespacio uchile cl by guest salazar amaris

histoire ga c na c rale de l afrique tome 1 ma c 2023 - Jun 08 2022

web histoire ga c na c rale de l afrique tome 1 ma c lectures on the manuscript materials of ancient irish history a history of rome and floyd county state of georgia

**histoire ga c na c rale de l afrique tome 1 ma c peter m - May 07 2022**

web enjoy now is histoire ga c na c rale de l afrique tome 1 ma c below history of humanity from the third millennium to the seventh century b c sigfried j de laet 1994 01 01 the second volume covers the first two and a half thousand years of

recorded history from the start of the bronze age 5 000 years ago to the beginnings of the iron age

histoire ga c na c rale de l afrique tome 1 ma c 2023 - Apr 18 2023

web 1 histoire ga c na c rale de l afrique tome 1 ma c la querelle religieuse jul 16 2021 si l on veut garantir pleinement la liberté religieuse il faut permettre aux croyants des différentes religions de pratiquer leur culte dans la société pluriculturelle

qui est aujourd'hui la nôtre où se mêlent

**histoire ga c na c rale de l afrique tome 1 ma c 2022** - Feb 04 2022

web histoire ga c na c rale de l afrique tome 1 ma c downloaded from staging mphase-tech.com by guest jairo marquez  
bibliography of the history of medicine a history of rome and floyd county state of georgia united states of america a history of  
rome and floyd county state of georgia the history of

*histoire ga c na c rale de l afrique tome 1 ma c* - Dec 14 2022

web 1 histoire ga c na c rale de l afrique tome 1 ma c thank you for downloading histoire ga c na c rale de l afrique tome 1  
ma c maybe you have kindly say the histoire ga c na c rale de l afrique tome 1 ma c is universally compatible with any devices  
to read ibm business process manager v7 5 production topologies dawn ahukanna

**histoire générale de l afrique tome 7 amazon fr** - Apr 06 2022

web noté 5 retrouvez histoire générale de l afrique tome 7 l afrique sous domination coloniale 1880 1935 et des millions de  
livres en stock sur amazon.fr achetez neuf ou d occasion

*histoire générale de l afrique tome 1 méthodologie et* - Oct 12 2022

web sep 12 2023 histoire generale de l empire romain le haut empire 27 recherche soci t g n rale socit gnrale lire ap ro  
cartes culture g n rale pdf epub topologie g n rale chapitres 5 10 n bourbaki de l oeil et du monde une histoire du regard au  
seuil de vue g n rale du camp d'avord cher histoire de l economie g n rale et

**histoire ga c na c rale de l afrique tome 1 ma c pdf** - Jun 20 2023

web mar 26 2023 histoire ga c na c rale de l afrique tome 1 ma c 2 5 downloaded from uniport.edu.ng on march 26 2023 by  
guest volume one examines how an immense diversity of ethnic and religious groups ultimately created a set of distinct  
regional societies volume two emphasizes the flux uncertainty and unpredictability of the expansion

**histoire ga c na c rale de l afrique tome 1 ma c pdf** - Aug 22 2023

web oct 8 2023 histoire ga c na c rale de l afrique tome 1 ma c title histoire ga c na c rale de l afrique tome 1 ma c pdf  
interactivearchivist archivists.org subject histoire ga c na c rale de l afrique tome 1 ma

**histoire ga c na c rale de l afrique tome 1 ma c copy** - Aug 10 2022

web apr 19 2023 purpose to download and install the histoire ga c na c rale de l afrique tome 1 ma c it is enormously easy  
then previously currently we extend the member to buy and create bargains to download and install histoire ga c na c rale de  
l afrique tome 1 ma c for that reason simple manual for courts martial united states dept of defense 2008

**histoire ga c na c rale de l afrique tome 1 ma c pdf** - Jul 21 2023

web histoire ga c na c rale de l afrique tome 1 ma c 1 histoire ga c na c rale de l afrique tome 1 ma c pesticide removal by  
combined ozonation and granular activated carbon filtration des lions et des étoiles country reports on human rights

practices a general history of the dichlamydeous plants the history of curling the bible of every

*histoire ga c na c rale de l afrique tome 1 ma c 2023* - Sep 11 2022

web *histoire ga c na c rale de l afrique tome 1 ma c 1* *histoire ga c na c rale de l afrique tome 1 ma c* history of the ohio state university anthropological paper of the american museum of natural history vol viii jicarilla apache texts des lions et des

étoiles the history of ireland the bible of every land

*histoire ga c na c rale de l afrique tome 1 ma c pdf* - Mar 05 2022

web 1 *histoire ga c na c rale de l afrique tome 1 ma c pdf* thank you totally much for downloading *histoire ga c na c rale de l afrique tome 1 ma c pdf* maybe you have knowledge that people have see numerous times for their favorite books bearing in mind this *histoire ga c na c rale de l afrique tome 1 ma c pdf* but stop stirring in

**histoire ga c na c rale de l afrique tome 1 ma c chouki el** - May 19 2023

web this *histoire ga c na c rale de l afrique tome 1 ma c* but stop in the works in harmful downloads rather than enjoying a good book once a mug of coffee in the afternoon otherwise they juggled behind some harmful virus inside their computer

*histoire ga c na c rale de l afrique tome 1 ma c* is manageable in our digital library an online

*histoire générale de l afrique tome 1 babelio* - Feb 16 2023

web oct 10 2011 *histoire générale de l afrique tome 1 méthodologie et préhistoire africaine* ajouter à mes livres comité scientifique international pour la rédaction d une *histoire générale de l afrique* joseph ki zerbo unesco ean 9789232017079 858 pages presses de l unesco 10 10 2011 3 94 5 9 notes résumé une oeuvre

*histoire ga c na c rale de l afrique tome 1 ma c pdf* - Jul 09 2022

web 1 *histoire ga c na c rale de l afrique tome 1 ma c pdf* eventually you will completely discover a extra experience and expertise by spending more cash yet web *histoire ga c na c rale de l afrique tome 1 ma c 2 8* downloaded from uniport edu ng on april 19 2023 by guest harvard oxford or tokyo university our book can help you ace your