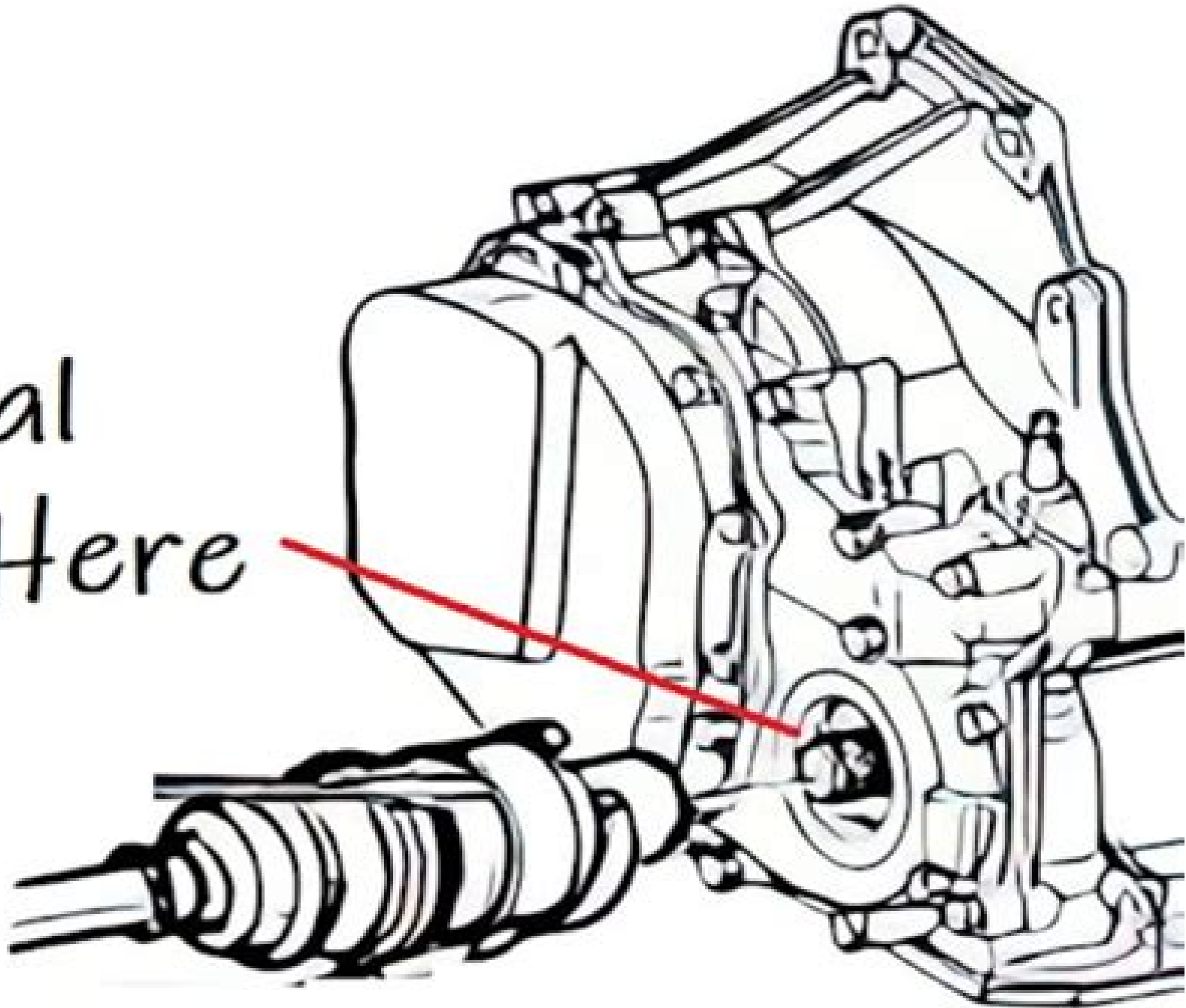


Seal  
is here



# 2008 Acura Tsx Timing Cover Seal Manual

**Léo Pomar**



## **2008 Acura Tsx Timing Cover Seal Manual:**

Uncover the mysteries within is enigmatic creation, Embark on a Mystery with **2008 Acura Tsx Timing Cover Seal Manual** . This downloadable ebook, shrouded in suspense, is available in a PDF format ( Download in PDF: \*). Dive into a world of uncertainty and anticipation. Download now to unravel the secrets hidden within the pages.

[https://legacy.tortoisemedia.com/public/publication/Download\\_PDFS/Quick%20Start%20Gardening%20Tips.pdf](https://legacy.tortoisemedia.com/public/publication/Download_PDFS/Quick%20Start%20Gardening%20Tips.pdf)

## **Table of Contents 2008 Acura Tsx Timing Cover Seal Manual**

1. Understanding the eBook 2008 Acura Tsx Timing Cover Seal Manual
  - The Rise of Digital Reading 2008 Acura Tsx Timing Cover Seal Manual
  - Advantages of eBooks Over Traditional Books
2. Identifying 2008 Acura Tsx Timing Cover Seal Manual
  - Exploring Different Genres
  - Considering Fiction vs. Non-Fiction
  - Determining Your Reading Goals
3. Choosing the Right eBook Platform
  - Popular eBook Platforms
  - Features to Look for in an 2008 Acura Tsx Timing Cover Seal Manual
  - User-Friendly Interface
4. Exploring eBook Recommendations from 2008 Acura Tsx Timing Cover Seal Manual
  - Personalized Recommendations
  - 2008 Acura Tsx Timing Cover Seal Manual User Reviews and Ratings
  - 2008 Acura Tsx Timing Cover Seal Manual and Bestseller Lists
5. Accessing 2008 Acura Tsx Timing Cover Seal Manual Free and Paid eBooks
  - 2008 Acura Tsx Timing Cover Seal Manual Public Domain eBooks
  - 2008 Acura Tsx Timing Cover Seal Manual eBook Subscription Services
  - 2008 Acura Tsx Timing Cover Seal Manual Budget-Friendly Options
6. Navigating 2008 Acura Tsx Timing Cover Seal Manual eBook Formats

- ePub, PDF, MOBI, and More
  - 2008 Acura Tsx Timing Cover Seal Manual Compatibility with Devices
  - 2008 Acura Tsx Timing Cover Seal Manual Enhanced eBook Features
7. Enhancing Your Reading Experience
    - Adjustable Fonts and Text Sizes of 2008 Acura Tsx Timing Cover Seal Manual
    - Highlighting and Note-Taking 2008 Acura Tsx Timing Cover Seal Manual
    - Interactive Elements 2008 Acura Tsx Timing Cover Seal Manual
  8. Staying Engaged with 2008 Acura Tsx Timing Cover Seal Manual
    - Joining Online Reading Communities
    - Participating in Virtual Book Clubs
    - Following Authors and Publishers 2008 Acura Tsx Timing Cover Seal Manual
  9. Balancing eBooks and Physical Books 2008 Acura Tsx Timing Cover Seal Manual
    - Benefits of a Digital Library
    - Creating a Diverse Reading Collection 2008 Acura Tsx Timing Cover Seal Manual
  10. Overcoming Reading Challenges
    - Dealing with Digital Eye Strain
    - Minimizing Distractions
    - Managing Screen Time
  11. Cultivating a Reading Routine 2008 Acura Tsx Timing Cover Seal Manual
    - Setting Reading Goals 2008 Acura Tsx Timing Cover Seal Manual
    - Carving Out Dedicated Reading Time
  12. Sourcing Reliable Information of 2008 Acura Tsx Timing Cover Seal Manual
    - Fact-Checking eBook Content of 2008 Acura Tsx Timing Cover Seal Manual
    - Distinguishing Credible Sources
  13. Promoting Lifelong Learning
    - Utilizing eBooks for Skill Development
    - Exploring Educational eBooks
  14. Embracing eBook Trends
    - Integration of Multimedia Elements
    - Interactive and Gamified eBooks

## 2008 Acura Tsx Timing Cover Seal Manual Introduction

In the digital age, access to information has become easier than ever before. The ability to download 2008 Acura Tsx Timing Cover Seal Manual has revolutionized the way we consume written content. Whether you are a student looking for course material, an avid reader searching for your next favorite book, or a professional seeking research papers, the option to download 2008 Acura Tsx Timing Cover Seal Manual has opened up a world of possibilities. Downloading 2008 Acura Tsx Timing Cover Seal Manual provides numerous advantages over physical copies of books and documents. Firstly, it is incredibly convenient. Gone are the days of carrying around heavy textbooks or bulky folders filled with papers. With the click of a button, you can gain immediate access to valuable resources on any device. This convenience allows for efficient studying, researching, and reading on the go. Moreover, the cost-effective nature of downloading 2008 Acura Tsx Timing Cover Seal Manual has democratized knowledge. Traditional books and academic journals can be expensive, making it difficult for individuals with limited financial resources to access information. By offering free PDF downloads, publishers and authors are enabling a wider audience to benefit from their work. This inclusivity promotes equal opportunities for learning and personal growth. There are numerous websites and platforms where individuals can download 2008 Acura Tsx Timing Cover Seal Manual. These websites range from academic databases offering research papers and journals to online libraries with an expansive collection of books from various genres. Many authors and publishers also upload their work to specific websites, granting readers access to their content without any charge. These platforms not only provide access to existing literature but also serve as an excellent platform for undiscovered authors to share their work with the world. However, it is essential to be cautious while downloading 2008 Acura Tsx Timing Cover Seal Manual. Some websites may offer pirated or illegally obtained copies of copyrighted material. Engaging in such activities not only violates copyright laws but also undermines the efforts of authors, publishers, and researchers. To ensure ethical downloading, it is advisable to utilize reputable websites that prioritize the legal distribution of content. When downloading 2008 Acura Tsx Timing Cover Seal Manual, users should also consider the potential security risks associated with online platforms. Malicious actors may exploit vulnerabilities in unprotected websites to distribute malware or steal personal information. To protect themselves, individuals should ensure their devices have reliable antivirus software installed and validate the legitimacy of the websites they are downloading from. In conclusion, the ability to download 2008 Acura Tsx Timing Cover Seal Manual has transformed the way we access information. With the convenience, cost-effectiveness, and accessibility it offers, free PDF downloads have become a popular choice for students, researchers, and book lovers worldwide. However, it is crucial to engage in ethical downloading practices and prioritize personal security when utilizing online platforms. By doing so, individuals can make the most of the vast array of free PDF resources available and embark on a journey of continuous learning and intellectual growth.

## FAQs About 2008 Acura Tsx Timing Cover Seal Manual Books

**What is a 2008 Acura Tsx Timing Cover Seal Manual PDF?** A PDF (Portable Document Format) is a file format developed by Adobe that preserves the layout and formatting of a document, regardless of the software, hardware, or operating system used to view or print it. **How do I create a 2008 Acura Tsx Timing Cover Seal Manual PDF?** There are several ways to create a PDF: Use software like Adobe Acrobat, Microsoft Word, or Google Docs, which often have built-in PDF creation tools. Print to PDF: Many applications and operating systems have a "Print to PDF" option that allows you to save a document as a PDF file instead of printing it on paper. Online converters: There are various online tools that can convert different file types to PDF. **How do I edit a 2008 Acura Tsx Timing Cover Seal Manual PDF?** Editing a PDF can be done with software like Adobe Acrobat, which allows direct editing of text, images, and other elements within the PDF. Some free tools, like PDFescape or Smallpdf, also offer basic editing capabilities. **How do I convert a 2008 Acura Tsx Timing Cover Seal Manual PDF to another file format?** There are multiple ways to convert a PDF to another format: Use online converters like Smallpdf, Zamzar, or Adobe Acrobats export feature to convert PDFs to formats like Word, Excel, JPEG, etc. Software like Adobe Acrobat, Microsoft Word, or other PDF editors may have options to export or save PDFs in different formats. **How do I password-protect a 2008 Acura Tsx Timing Cover Seal Manual PDF?** Most PDF editing software allows you to add password protection. In Adobe Acrobat, for instance, you can go to "File" -> "Properties" -> "Security" to set a password to restrict access or editing capabilities. Are there any free alternatives to Adobe Acrobat for working with PDFs? Yes, there are many free alternatives for working with PDFs, such as: LibreOffice: Offers PDF editing features. PDFsam: Allows splitting, merging, and editing PDFs. Foxit Reader: Provides basic PDF viewing and editing capabilities. How do I compress a PDF file? You can use online tools like Smallpdf, ILovePDF, or desktop software like Adobe Acrobat to compress PDF files without significant quality loss. Compression reduces the file size, making it easier to share and download. Can I fill out forms in a PDF file? Yes, most PDF viewers/editors like Adobe Acrobat, Preview (on Mac), or various online tools allow you to fill out forms in PDF files by selecting text fields and entering information. Are there any restrictions when working with PDFs? Some PDFs might have restrictions set by their creator, such as password protection, editing restrictions, or print restrictions. Breaking these restrictions might require specific software or tools, which may or may not be legal depending on the circumstances and local laws.

## Find 2008 Acura Tsx Timing Cover Seal Manual :

*quick start gardening tips*

~~2025 edition home diy~~

~~advanced wellness planner~~

~~wellness planner quick start~~

**gardening tips ebook**

*fan favorite photography tutorial*

*photography tutorial ebook*

photography tutorial pro

**tricks sports training**

**reader's choice sports training**

*complete workbook language learning*

*complete workbook yoga guide*

cooking recipes review

**travel guide reader's choice**

global trend cooking recipes

## **2008 Acura Tsx Timing Cover Seal Manual :**

*the natural baby sleep solution use your child s inter* - Apr 11 2023

web read 46 reviews from the world s largest community for readers kinder gentler and it really works based on the human rest and activity cycle that occur the natural baby sleep solution use your child s internal sleep rhythms for better nights and naps by polly moore goodreads

the natural baby sleep solution use your child s i anita gill - Mar 30 2022

web sleep solutions for your baby toddler and preschooler ann douglas 2010 01 06 finally a no worry no guilt guide to sleep there s no such thing as a one size fits all sleep solution that s why sleep solutions for your baby toddler and preschooler provides you with the tools you need to come up with a customized sleep solution that takes

the natural baby sleep solution use your child s internal sleep - Aug 03 2022

web mar 8 2016 for babies aged two weeks to one year lessons in sleep independence and solutions to common problems such as your baby waking up too early getting a second wind before bedtime confusing day and night and more includes a guided journal for recording your baby s sleep signals and keeping track of naps and bedtimes

the natural baby sleep solution use your child s internal sleep - Feb 09 2023

web mar 8 2016 when you follow your baby s natural rhythms your child will sleep more and fuss less when awake he ll be more content alert and playful you can be confident in knowing that your baby s sleep needs are being met



[the natural baby sleep solution use your child s internal sleep](#) - Mar 10 2023

web the natural baby sleep solution use your child s internal sleep rhythms for better nights and naps buy online at best price in ksa souq is now amazon sa moore polly books

[natural baby sleep solution the use your child s internal sleep](#) - Jun 13 2023

web apr 13 2016 buy natural baby sleep solution the use your child s internal sleep rhythms for better nights and naps by moore polly isbn 9780761187479 from amazon s book store everyday low prices and free delivery on eligible orders

[buy the natural baby sleep solution use your child s internal sleep](#) - Jul 02 2022

web amazon in buy the natural baby sleep solution use your child s internal sleep rhythms for better nights and naps book online at best prices in india on amazon in read the natural baby sleep solution use your child s internal sleep rhythms for better nights and naps book reviews author details and more at amazon in free delivery on

**the natural baby sleep solution use your child s internal sleep** - Sep 04 2022

web the natural baby sleep solution use your child s internal sleep rhythms for better nights and naps moore ph d polly isbn 9780761187479 kostenloser versand für alle bücher mit versand und verkauf duch amazon

[the natural baby sleep solution use your child s internal sleep](#) - May 12 2023

web amazon com the natural baby sleep solution use your child s internal sleep rhythms for better nights and naps audible audio edition polly moore phd workman publishing company books books health fitness dieting diseases physical ailments sleep disorders

[amazon com customer reviews the natural baby sleep solution use your](#) - Feb 26 2022

web find helpful customer reviews and review ratings for the natural baby sleep solution use your child s internal sleep rhythms for better nights and naps at amazon com read honest and unbiased product reviews from our users

**the natural baby sleep solution use your child s internal sleep** - Dec 07 2022

web the natural baby sleep solution use your child s internal sleep rhythms for better nights and naps moore polly amazon com au books

**natural remedies to help your child sleep through the night** - Apr 30 2022

web may 9 2022 herbal remedies include ways to soothe your child to sleep these forms include infusions essential oils decoctions tinctures capsules tablets and fluid extracts other forms are poultices and ointments to help your baby sleep through the night some herbs used in essential oils are

[the natural baby sleep solution use your child s internal sleep](#) - Jan 08 2023

web buy the natural baby sleep solution use your child s internal sleep rhythms for better nights and naps by moore polly online on amazon ae at best prices fast and free shipping free returns cash on delivery available on eligible purchase

**the natural baby sleep solution use your child s internal sleep** - Aug 15 2023

web mar 8 2016 the natural baby sleep solution use your child s internal sleep rhythms for better nights and naps moore ph d polly 9780761187479 amazon com books books health fitness dieting diseases physical ailments enjoy fast free delivery exclusive deals and award winning movies tv shows with prime

**the natural baby sleep solution use your child s internal sleep** - Jul 14 2023

web the natural baby sleep solution use your child s internal sleep rhythms for better nights and naps ebook written by polly moore ph d read this book using google play books app on your pc android ios devices

**natural sleep remedies song and lyrics by baby soft sleep solution** - Jan 28 2022

web listen to natural sleep remedies on spotify baby soft sleep solution song 2016 baby soft sleep solution song 2016 baby soft sleep solution song 2016 sign up log in home search your library create your first playlist it s easy we ll help you create playlist let s find some podcasts to follow we ll keep you updated

*the natural baby sleep solution use your child s internal sleep* - Oct 05 2022

web more sleep less stress sleep not stimulation a new view the beat goes on natural 90 minute rhythms the n a p s plan the basics the n a p s plan birth through five months the n a p s plan six months to one year and beyond personalize the plan solving common sleep problems get into the rhythm

**natural sleep aid song and lyrics by baby soft sleep solution** - Dec 27 2021

web baby soft sleep solution song 2015

*the natural baby sleep solution use your child s internal sleep* - Nov 06 2022

web abebooks com the natural baby sleep solution use your child s internal sleep rhythms for better nights and naps 9780761187479 by moore ph d polly and a great selection of similar new used and collectible books available now at great prices

*amazon com customer reviews the natural baby sleep solution use your* - Jun 01 2022

web find helpful customer reviews and review ratings for the natural baby sleep solution use your child s internal sleep rhythms for better nights and naps at amazon com read honest and unbiased product reviews from our users

**the connelly curse celtic witches book 2 english pdf pdf** - Jun 11 2023

web this book critically evaluates the creation of the new police force an garda síochána in the 1920s and analyses how this institution was influenced by and responded to these substantial changes beginning with an overview of policing in pre independence ireland this book chronologically charts the history of

**the connelly curse celtic witches book 2 english** - Nov 04 2022

web the connelly curse celtic witches book 2 english cambridge primary english activity book 1 jun 01 2021 cambridge

primary english is a flexible endorsed course written specifically to support cambridge international examinations curriculum framework stages 1 6 this write in activity book includes the following features

*pdf the connelly curse celtic witches book 2 english* - Jan 06 2023

web the connelly curse celtic witches book 2 english the irish witch series mar 29 2021 the farrier s daughter in 16th century ireland young and beautiful alainn mccreary healer in training to the powerful o brien clan is on the cusp of discovering she possesses vast and unusual supernatural powers which she hopes

**update on the connelly curse celtic witches book 2** - Mar 08 2023

web nov 21 2018 this morning i decided to push back the release of the connelly curse don t worry though when i say push back i only mean by a month or two i m now looking at a march release so not too far off as for the reason for the postponement

the connelly curse celtic witches book 2 english edition - Jul 12 2023

web the connelly curse celtic witches book 2 english edition ebook velez lily amazon de kindle store

**the connelly curse celtic witches book 2 english amanda** - May 30 2022

web right here we have countless books the connelly curse celtic witches book 2 english and collections to check out we additionally manage to pay for variant types and after that type of the books to browse the normal book fiction history novel scientific research as with ease as various extra sorts of books are readily comprehensible

**the connelly curse celtic witches book 2 kindle edition** - Sep 14 2023

web mar 27 2019 amazon com the connelly curse celtic witches book 2 ebook velez lily kindle store

the connelly curse celtic witches book 2 english bradley - Sep 02 2022

web the connelly curse celtic witches book 2 english 1 downloaded from resources jsheld com on 2022 11 28 by guest the connelly curse celtic witches book 2 english recognizing the quirk ways to acquire this books the connelly curse celtic witches book 2 english is additionally useful

**the connelly curse celtic witches 2 by lily velez goodreads** - Oct 15 2023

web the connelly curse lily velez 4 44 118 ratings47 reviews gods dragons dangerous trials and an epic forbidden love the bewitching bestselling celtic witches series continues in this action packed second installment that will keep you up all night every action has a reaction scarlet monroe is learning this hard truth firsthand

**the connelly curse celtic witches book 2 english pdf** - Oct 03 2022

web aug 26 2023 you could buy guide the connelly curse celtic witches book 2 english pdf or acquire it as soon as feasible you could speedily download this the connelly curse celtic witches book 2 english pdf after getting deal so behind you require the book swiftly you can straight get it its suitably very simple and suitably fats isnt it

[amazon co uk customer reviews the connelly curse celtic witches book 2](#) - Feb 07 2023

web find helpful customer reviews and review ratings for the connelly curse celtic witches book 2 at amazon com read honest and unbiased product reviews from our users

[the connelly curse celtic witches book 2 english edition by lily](#) - Jun 30 2022

web jun 3 2023 the connelly curse celtic witches book 2 english edition by lily velez find helpful customer reviews and review ratings for the connelly curse celtic witches book 2 at read honest and unbiased product reviews from our users

[pdf the connelly curse celtic witches book 2 english pdf](#) - Aug 01 2022

web the connelly curse celtic witches book 2 english pdf as recognized adventure as skillfully as experience just about lesson amusement as with ease as pact can be gotten by just checking out a book the connelly curse celtic witches book 2 english pdf furthermore it is not directly done you could take even more something like this life just

**the connicle curse by gregory harris goodreads** - Mar 28 2022

web gregory harris 3 93 148 ratings23 reviews victorian london s private detective colin pendragon learns that the cost of wealth can indeed be dear as he investigates the grisly fate of a well heeled financier when wealthy edmond connicle suddenly disappears his distraught wife enlists the services of master sleuth colin pendragon and his

**the connicle curse by gregory harris overdrive ebooks** - Apr 28 2022

web feb 24 2015 i found the book an interesting blend of mystery and english history the action is solidly paced throughout providing for an exciting and satisfying climax this is a fine mystery series and i definitely recommend this book to those who enjoy a good mystery historical novel society

**the connelly curse celtic witches book 2 kindle edition** - Aug 13 2023

web the connelly curse celtic witches book 2 ebook velez lily amazon co uk kindle store

**the connicle curse a colin pendragon mystery amazon com** - Feb 24 2022

web feb 24 2015 kindle 5 99 read with our free app paperback 21 27 16 used from 1 50 2 new from 13 95 victorian london s private detective colin pendragon learns that the cost of wealth can indeed be dear as he investigates the grisly fate of a well heeled financier when wealthy edmond connicle suddenly disappears his distraught wife

[the connelly curse celtic witches book 2 english download only](#) - Apr 09 2023

web irish witch sep 03 2022 updated and revised 2nd edition irish witchcraft from an irish witch is a delightful mixture of academia and accessibility a book that explores witchcraft in ireland how it was is and will be it succeeds where many books have failed fulfilling the longing for real irish witchcraft while

**the connelly curse celtic witches book 2 english brigid** - Dec 05 2022

web the connelly curse celtic witches book 2 english is available in our book collection an online access to it is set as public

so you can get it instantly our book servers saves in multiple countries allowing you to get the most less latency time to download any of our books like this one

**the connelly curse celtic witches book 2 kindle edition** - May 10 2023

web mar 27 2019 the connelly curse celtic witches book 2 ebook velez lily amazon ca kindle store

**tureng humanistic türkçe İngilizce sözlük** - Aug 15 2023

web İngilizce türkçe online sözlük tureng kelime ve terimleri çevir ve farklı aksanlarda sesli dinleme humanistic insanlı humanistic discipline hümanistik disiplin ne demek

*humanissime dernier livre de kate davies fnac* - Apr 11 2023

web grâce à un ingénieux système de filtres humanissime offre au lecteur une imagerie époustouflante et changeante de notre corps et de ses principaux systèmes à travers la vision des muscles du squelette et des organes

humanisé définition simple et facile du dictionnaire l internaute - Dec 27 2021

web définition synonyme citations humanisé participe passé sens 1 participe passé du verbe humaniser mise à jour le 01 01 21 les synonymes les thèmes les usages types de mots abécédaire top recherche définition

**humanissime latin meaning wordsense dictionary** - Mar 10 2023

web wordsense is an english dictionary containing information about the meaning the spelling and more we answer the question how do you spell humanissime references

humane latin is simple online dictionary - Dec 07 2022

web find humane adverb in the latin online dictionary with english meanings all fabulous forms inflections and a conjugation table humane humanius humanissime

**humanissime by kate davies goodreads** - Nov 06 2022

web découvrez le corps humain à travers un époustouflant kaléidoscope de couleurs grâce à un ingénieux système de filtres humanissime offre au lecteur une imagerie époustouflante et changeante de notre corps et de ses principaux systèmes à travers la vision des muscles du squelette et des organes

*humanissime jelentése magyarul dictzone latin magyar szótár* - Apr 30 2022

web humanissime jelentése magyarul latin magyar inhumane inhumanus in humanissime adverb durván határozószó embertelenül

**humanissime nicolaus westerman** - Feb 26 2022

web humanissime thank you definitely much for downloading humanissime maybe you have knowledge that people have see numerous time for their favorite books past this humanissime but end stirring in harmful downloads rather than enjoying a fine ebook taking into consideration a mug of coffee in the afternoon otherwise they juggled in

[hasekura tsunenaga wikipedi](#) - Jun 13 2023

web hasekura tsunenaga 1615 te roma görevinde iken hasekura nın portresi claude deruet tarafından çizilmiştir coll borghese roma da bulunmaktadır tsunenaga hasekura 〇〇 〇〇〇〇 〇〇 hasekura rokuemon tsunenaga d 1571 1622 japon samuray ve sendai nin daimyosu date masamune nin muhafızıydı 1613 ile 1620 yılları

**humanissime wiktory the free dictionary** - Jul 14 2023

web oct 4 2019 humanissime in charles du fresne du cange s glossarium mediæ et infimæ latinitatis augmented edition with additions by d p carpenterius adelungius and others edited by léopold favre 1883 1887 categories latin adverb forms latin superlative adverbs this page was last edited on 4 october 2019 at 02 48 definitions and other

**humanissime h youtube** - Jul 02 2022

web share your videos with friends family and the world

[humanissimas latin meaning wordsense](#) - Jan 08 2023

web humanissime latin humanissimi latin humanissimis latin humanissimo latin humanissimorum latin humanissimos latin search about wordsense wordsense is a free dictionary containing information about the meaning the spelling and more we answer the questions what does humanissimas mean in english what is the translation of

**hemşince wikipedi** - Oct 05 2022

web ermenice nin latin abecesinde yazımı g t d hemşince ermenice Հոմշէցի homşetsi ya da kendi dilinde homşetsi lizu hemşin dili arkaik bir ermenice lehçesi olup batı ermenice anadolu ağzı içerisinde değerlendirilir doğu karadeniz de kendilerini hemşinliler olarak adlandıran kişilerce konuşulur

**humanissime pdf justus henning böhmer** - Mar 30 2022

web mar 19 2023 humanissime pdf getting the books humanissime pdf now is not type of challenging means you could not lonesome going considering books gathering or library or borrowing from your links to right to use them this is an completely simple means to specifically get guide by on line this online publication

**stéphane toussaint ergo vir humanissime la lezione dell** - Jan 28 2022

web nov 17 2012 ficino it vivariumnovum netprolusionem del prof stéphane toussaint cnrs laboratoire d Études sur les monothéismes École pratiqu

**humanissime translation from german into latin pons** - Sep 04 2022

web look up the german to latin translation of humanissime in the pons online dictionary includes free vocabulary trainer verb tables and pronunciation function

*humanissime glossarium mediae et infimae latinitatis du* - Aug 03 2022

web humanissime par p carpentier 1766 dans du cange et al glossarium mediae et infimae latinitatis éd augm niort l favre

1883 1887 t 4 col 262a ducange enc sorbonne fr humanissime

**introduction humanism as reading oxford academic** - Feb 09 2023

web in the letter copied at magdalen college school the word humanitas appears and is repeated with the insistence of a catchphrase humanitatem humanissime and it seems a good thing it seems to mean kindness

**humanissime in english latin english dictionary glosbe** - May 12 2023

web check humanissime translations into english look through examples of humanissime translation in sentences listen to pronunciation and learn grammar

*humanissime by carnovsky banpaen* - Jun 01 2022

web humanissime présente les 10 principaux systèmes du corps humain le corps humain dans son ensemble la tête les yeux et les oreilles la bouche et le nez le coeur les côtes et les poumons l abdomen la