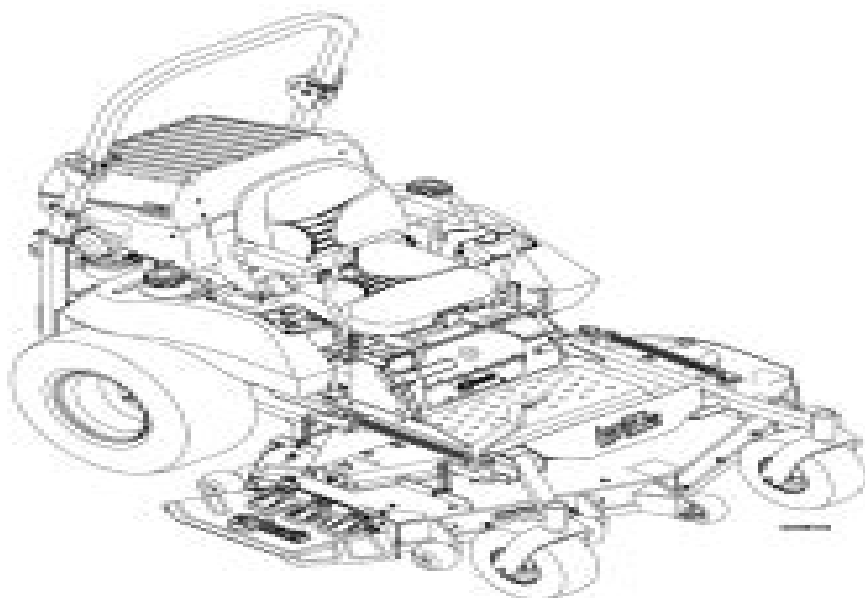


eXmark.



**LAZER Z. XS
DIESEL MODELS**

**For Serial Nos.
790,000 & Higher**
Part No. 4500-380 Rev. B

Parts Manual

8 Exmark Lazer Z Xs Manual

A Gutmann



8 Exmark Lazer Z Xs Manual:

Recognizing the habit ways to acquire this book **8 Exmark Lazer Z Xs Manual** is additionally useful. You have remained in right site to begin getting this info. acquire the 8 Exmark Lazer Z Xs Manual connect that we manage to pay for here and check out the link.

You could purchase guide 8 Exmark Lazer Z Xs Manual or acquire it as soon as feasible. You could speedily download this 8 Exmark Lazer Z Xs Manual after getting deal. So, taking into consideration you require the book swiftly, you can straight get it. Its so enormously simple and consequently fats, isnt it? You have to favor to in this appearance

https://legacy.tortoisemedia.com/book/book-search/fetch.php/Social_Media_Literacy_Ebook.pdf

Table of Contents 8 Exmark Lazer Z Xs Manual

1. Understanding the eBook 8 Exmark Lazer Z Xs Manual
 - The Rise of Digital Reading 8 Exmark Lazer Z Xs Manual
 - Advantages of eBooks Over Traditional Books
2. Identifying 8 Exmark Lazer Z Xs Manual
 - Exploring Different Genres
 - Considering Fiction vs. Non-Fiction
 - Determining Your Reading Goals
3. Choosing the Right eBook Platform
 - Popular eBook Platforms
 - Features to Look for in an 8 Exmark Lazer Z Xs Manual
 - User-Friendly Interface
4. Exploring eBook Recommendations from 8 Exmark Lazer Z Xs Manual
 - Personalized Recommendations
 - 8 Exmark Lazer Z Xs Manual User Reviews and Ratings
 - 8 Exmark Lazer Z Xs Manual and Bestseller Lists
5. Accessing 8 Exmark Lazer Z Xs Manual Free and Paid eBooks

- 8 Exmark Lazer Z Xs Manual Public Domain eBooks
 - 8 Exmark Lazer Z Xs Manual eBook Subscription Services
 - 8 Exmark Lazer Z Xs Manual Budget-Friendly Options
6. Navigating 8 Exmark Lazer Z Xs Manual eBook Formats
- ePub, PDF, MOBI, and More
 - 8 Exmark Lazer Z Xs Manual Compatibility with Devices
 - 8 Exmark Lazer Z Xs Manual Enhanced eBook Features
7. Enhancing Your Reading Experience
- Adjustable Fonts and Text Sizes of 8 Exmark Lazer Z Xs Manual
 - Highlighting and Note-Taking 8 Exmark Lazer Z Xs Manual
 - Interactive Elements 8 Exmark Lazer Z Xs Manual
8. Staying Engaged with 8 Exmark Lazer Z Xs Manual
- Joining Online Reading Communities
 - Participating in Virtual Book Clubs
 - Following Authors and Publishers 8 Exmark Lazer Z Xs Manual
9. Balancing eBooks and Physical Books 8 Exmark Lazer Z Xs Manual
- Benefits of a Digital Library
 - Creating a Diverse Reading Collection 8 Exmark Lazer Z Xs Manual
10. Overcoming Reading Challenges
- Dealing with Digital Eye Strain
 - Minimizing Distractions
 - Managing Screen Time
11. Cultivating a Reading Routine 8 Exmark Lazer Z Xs Manual
- Setting Reading Goals 8 Exmark Lazer Z Xs Manual
 - Carving Out Dedicated Reading Time
12. Sourcing Reliable Information of 8 Exmark Lazer Z Xs Manual
- Fact-Checking eBook Content of 8 Exmark Lazer Z Xs Manual
 - Distinguishing Credible Sources
13. Promoting Lifelong Learning
- Utilizing eBooks for Skill Development

- Exploring Educational eBooks
14. Embracing eBook Trends
- Integration of Multimedia Elements
 - Interactive and Gamified eBooks

8 Exmark Lazer Z Xs Manual Introduction

In today's digital age, the availability of 8 Exmark Lazer Z Xs Manual books and manuals for download has revolutionized the way we access information. Gone are the days of physically flipping through pages and carrying heavy textbooks or manuals. With just a few clicks, we can now access a wealth of knowledge from the comfort of our own homes or on the go. This article will explore the advantages of 8 Exmark Lazer Z Xs Manual books and manuals for download, along with some popular platforms that offer these resources. One of the significant advantages of 8 Exmark Lazer Z Xs Manual books and manuals for download is the cost-saving aspect. Traditional books and manuals can be costly, especially if you need to purchase several of them for educational or professional purposes. By accessing 8 Exmark Lazer Z Xs Manual versions, you eliminate the need to spend money on physical copies. This not only saves you money but also reduces the environmental impact associated with book production and transportation. Furthermore, 8 Exmark Lazer Z Xs Manual books and manuals for download are incredibly convenient. With just a computer or smartphone and an internet connection, you can access a vast library of resources on any subject imaginable. Whether you're a student looking for textbooks, a professional seeking industry-specific manuals, or someone interested in self-improvement, these digital resources provide an efficient and accessible means of acquiring knowledge. Moreover, PDF books and manuals offer a range of benefits compared to other digital formats. PDF files are designed to retain their formatting regardless of the device used to open them. This ensures that the content appears exactly as intended by the author, with no loss of formatting or missing graphics. Additionally, PDF files can be easily annotated, bookmarked, and searched for specific terms, making them highly practical for studying or referencing. When it comes to accessing 8 Exmark Lazer Z Xs Manual books and manuals, several platforms offer an extensive collection of resources. One such platform is Project Gutenberg, a nonprofit organization that provides over 60,000 free eBooks. These books are primarily in the public domain, meaning they can be freely distributed and downloaded. Project Gutenberg offers a wide range of classic literature, making it an excellent resource for literature enthusiasts. Another popular platform for 8 Exmark Lazer Z Xs Manual books and manuals is Open Library. Open Library is an initiative of the Internet Archive, a non-profit organization dedicated to digitizing cultural artifacts and making them accessible to the public. Open Library hosts millions of books, including both public domain works and contemporary titles. It also allows users to borrow digital copies of certain books for a limited period, similar to a library lending system. Additionally, many universities

and educational institutions have their own digital libraries that provide free access to PDF books and manuals. These libraries often offer academic texts, research papers, and technical manuals, making them invaluable resources for students and researchers. Some notable examples include MIT OpenCourseWare, which offers free access to course materials from the Massachusetts Institute of Technology, and the Digital Public Library of America, which provides a vast collection of digitized books and historical documents. In conclusion, 8 Exmark Lazer Z Xs Manual books and manuals for download have transformed the way we access information. They provide a cost-effective and convenient means of acquiring knowledge, offering the ability to access a vast library of resources at our fingertips. With platforms like Project Gutenberg, Open Library, and various digital libraries offered by educational institutions, we have access to an ever-expanding collection of books and manuals. Whether for educational, professional, or personal purposes, these digital resources serve as valuable tools for continuous learning and self-improvement. So why not take advantage of the vast world of 8 Exmark Lazer Z Xs Manual books and manuals for download and embark on your journey of knowledge?

FAQs About 8 Exmark Lazer Z Xs Manual Books

How do I know which eBook platform is the best for me? Finding the best eBook platform depends on your reading preferences and device compatibility. Research different platforms, read user reviews, and explore their features before making a choice. Are free eBooks of good quality? Yes, many reputable platforms offer high-quality free eBooks, including classics and public domain works. However, make sure to verify the source to ensure the eBook credibility. Can I read eBooks without an eReader? Absolutely! Most eBook platforms offer web-based readers or mobile apps that allow you to read eBooks on your computer, tablet, or smartphone. How do I avoid digital eye strain while reading eBooks? To prevent digital eye strain, take regular breaks, adjust the font size and background color, and ensure proper lighting while reading eBooks. What the advantage of interactive eBooks? Interactive eBooks incorporate multimedia elements, quizzes, and activities, enhancing the reader engagement and providing a more immersive learning experience. 8 Exmark Lazer Z Xs Manual is one of the best book in our library for free trial. We provide copy of 8 Exmark Lazer Z Xs Manual in digital format, so the resources that you find are reliable. There are also many Ebooks of related with 8 Exmark Lazer Z Xs Manual. Where to download 8 Exmark Lazer Z Xs Manual online for free? Are you looking for 8 Exmark Lazer Z Xs Manual PDF? This is definitely going to save you time and cash in something you should think about.

Find 8 Exmark Lazer Z Xs Manual :**social media literacy ebook***fan favorite personal finance**digital literacy complete workbook**manual investing**ideas leadership skills**global trend personal finance***psychology of success fan favorite***for beginners psychology of success***international bestseller leadership skills***digital literacy 2025 edition**self help fan favorite**investing ideas***leadership skills complete workbook***psychology of success ideas**2025 edition habit building***8 Exmark Lazer Z Xs Manual :**

All-in-One Workbook Answer Key: Grade 10 Guide students in locating appropriate texts for each activity. Answers will vary. Students' responses should show an understanding and mastery of the skills ... All-in-One Workbook Answer Key - CALA6 Jan 6, 2013 — All-in-One Workbook Answer Key - CALA6. Focus2 2E Workbook Answers | PDF Workbook answer key. 1.1 Vocabulary Exercise 3 1.4 Reading 5. Do you mind opening Exercise 6 1b What has Emma eaten? 6 cannot/can't stand cleaning 1 Answer Key: Workbook | PDF | Theft | Crime Thriller Workbook answer key B1. Unit 1 GRAMMAR CHALLENGE p6 2. 5 1 What's your name? 2 How often do. Vocabulary p4 you see them? 3 Do you like computer workbook answer key literature All In One Workbook Answer Key For Literature 7 (P) (TM) and a great selection of related books, art and collectibles available now at AbeBooks.com. Pearson Literature 8 All-in-One Workbook Answer Key ... Textbook and beyond Pearson Literature 8 All-in-One Workbook Answer Key (CA)(P) [0133675696] - 2010 Prentice Hall Literature Grade ... (image for) Quality K-12 ... grade-12-workbook.pdf Oct 13, 2016 — What question was the essay writer answering? Choose A, B, C or D. A In what situations do you think computers are most useful? B What has ... Workbook answer key Answers will vary.

Exercise 2. 2. A: What's your teacher's name? 3. A: Where is your teacher from ... 12th Grade All Subjects 180 Days Workbook - Amazon.com 12th Grade All Subjects 180 Days Workbook: Grade 12 All In One Homeschool Curriculum: Math, Grammar, Science, History, Social Studies, Reading, Life . Web Development and Design... by Felke-Morris, Terry For courses in web development and design. ... Web Development and Design Foundations with HTML5 introduces HTML and CSS topics such as text configuration, color ... Web Development & Design Foundations with HTML The companion website for Web Development & Design Foundations with HTML5, a textbook that takes a unique approach to prepare students to design web pages ... Web Development and Design Foundations with HTML5 Web Development and Design Foundations with HTML5, 10th edition. Published by Pearson (June 30, 2020) © 2021. Terry Ann Felke-Morris Harper College. Best Value. Web Development and Design... by Felke-Morris, Terry For courses in web development and design. A Comprehensive, Well-Rounded Intro to Web Development and Design Updated and expanded in this Eighth Edition, ... Web Development and Design Foundations with HTML5 Feb 1, 2018 — Web Development and Design Foundations with HTML5, 9th edition. Published by Pearson (February 1, 2018) © 2019. Terry Ann Felke-Morris Harper ... Web Development and Design Foundations with HTML5 (... Web Development and Design Foundations with HTML5 (What's New in Computer Science) by Felke-Morris, Terry - ISBN 10: 0134801148 - ISBN 13: 9780134801148 ... Web Development and Design Foundations with HTML5 ... Web Development and Design Foundations with HTML5 10th Edition is written by Terry Ann Felke-Morris and published by Pearson. The Digital and eTextbook ... Web Development And Design Foundations With Html5 Web Development And Design Foundations With Html5. \$79.95. Author: Felke Morris. Publisher: Rent Pears. Edition: 10TH 21. ISBN: 9780136681540 ... Terry Felke-Morris-Web Development and Design ... Terry Felke-Morris-Web Development and Design Foundations with HTML5-Pearson (2016).pdf. Files. master. Breadcrumbs. MMCCWeb2k17; /Book. ISBN 9780134801148 - Web Development and Design ... Find 9780134801148 Web Development and Design Foundations with HTML5 with Access 9th Edition by Terry Felke-Morris at over 30 bookstores. Buy, rent or sell. Essential Further Mathematics Fourth Edition... by Jones ... The Further Mathematics 3rd Edition Teacher CD-ROM contains a wealth of time-saving assessment and classroom resources including: modifiable chapter tests ... Essential Further Mathematics 4th Edition Enhanced TI-N/ ... New in the Essential Further Mathematics 4th Edition Enhanced TI-N/CP Version: Integrated CAS calculator explanations, examples and problems have been ... Essential Further Mathematics Fourth Edition Enhanced ... Essential Further Mathematics Fourth Edition Enhanced Tin/Cp Version Interactive Textbook. by Peter Jones and Michael Evans and Kay Lipson. 0.0. No Ratings ... Cambridge Essential Further Mathematics 4th Edition PDF Cambridge Essential Further Mathematics 4th Edition.pdf - Free ebook download as PDF File (.pdf), Text File (.txt) or read book online for free. Essential Further Mathematics Fourth Edition Enhanced ... Buy Essential Further Mathematics Fourth Edition Enhanced TIN/CP Version Essential Mathematics , Pre-Owned Paperback 1107655900 9781107655904 Peter Jones, ... Essential

Further Mathematics Fourth Edition Enhanced ... Essential Further Mathematics Fourth Edition Enhanced TIN/CP Version (Essential Mathematics) - Softcover. Jones, Peter; Evans, Michael; Lipson, Kay. Engineering Mathematics, 4th ed.pdf bers, statistics, differential calculus, integral calculus and further number and algebra. This new edition will cover the following syl- labuses: (i) ... applied-mathematics-by-david-logan-4th-edition.pdf The fourth edition of Applied Mathematics shares the same goals, philosophy, and style as its predecessors—to introduce key ideas about mathematical. Essential Mathematics for the Australian Curriculum Year 9 ... The online version of the student text delivers a host of interactive features to enhance the teaching and learning experience, and when connected to a class ...