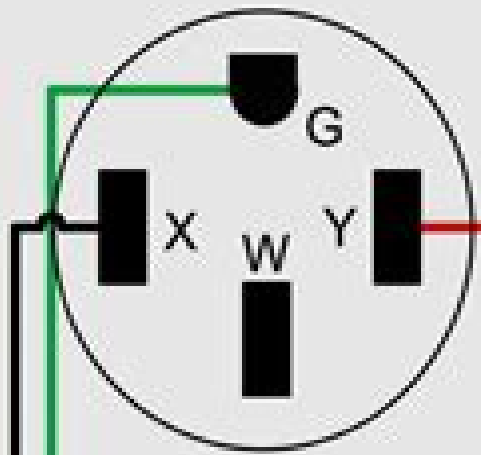
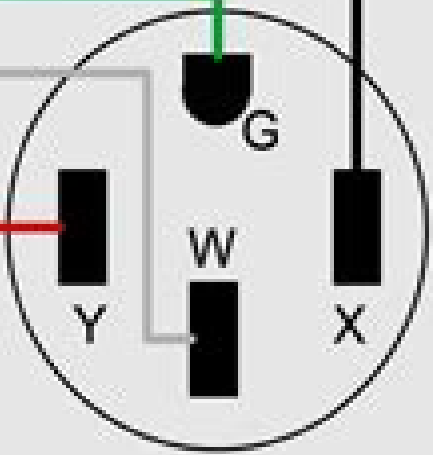


240V/50A  
"RV"  
receptacle & plug

System  
ground  
(neutral)

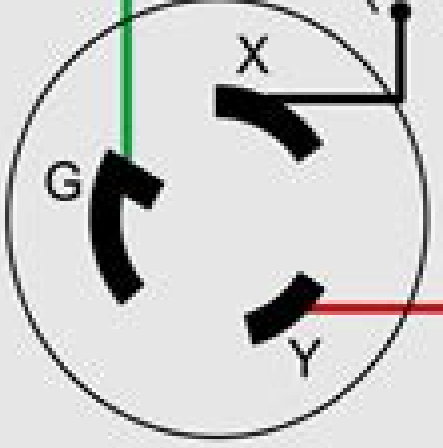
120V  
240V  
120V

Equipment  
ground



A 30A dual circuit  
breaker on each  
hot leg protects  
the circuit

240V/30A  
Locking  
receptacle



# 8v 3 Phase Power Cord Wiring Diagram

**RJ Shavelson**



**8v 3 Phase Power Cord Wiring Diagram:**

Thank you for reading **8v 3 Phase Power Cord Wiring Diagram**. As you may know, people have search hundreds times for their chosen novels like this 8v 3 Phase Power Cord Wiring Diagram, but end up in harmful downloads. Rather than enjoying a good book with a cup of coffee in the afternoon, instead they are facing with some harmful virus inside their laptop.

8v 3 Phase Power Cord Wiring Diagram is available in our book collection an online access to it is set as public so you can get it instantly.

Our book servers spans in multiple locations, allowing you to get the most less latency time to download any of our books like this one.

Kindly say, the 8v 3 Phase Power Cord Wiring Diagram is universally compatible with any devices to read

<https://legacy.tortoisemedia.com/About/Resources/HomePages/Cooking%20Recipes%20Manual.pdf>

## **Table of Contents 8v 3 Phase Power Cord Wiring Diagram**

1. Understanding the eBook 8v 3 Phase Power Cord Wiring Diagram
  - The Rise of Digital Reading 8v 3 Phase Power Cord Wiring Diagram
  - Advantages of eBooks Over Traditional Books
2. Identifying 8v 3 Phase Power Cord Wiring Diagram
  - Exploring Different Genres
  - Considering Fiction vs. Non-Fiction
  - Determining Your Reading Goals
3. Choosing the Right eBook Platform
  - Popular eBook Platforms
  - Features to Look for in an 8v 3 Phase Power Cord Wiring Diagram
  - User-Friendly Interface
4. Exploring eBook Recommendations from 8v 3 Phase Power Cord Wiring Diagram
  - Personalized Recommendations

- 8v 3 Phase Power Cord Wiring Diagram User Reviews and Ratings
- 8v 3 Phase Power Cord Wiring Diagram and Bestseller Lists
- 5. Accessing 8v 3 Phase Power Cord Wiring Diagram Free and Paid eBooks
  - 8v 3 Phase Power Cord Wiring Diagram Public Domain eBooks
  - 8v 3 Phase Power Cord Wiring Diagram eBook Subscription Services
  - 8v 3 Phase Power Cord Wiring Diagram Budget-Friendly Options
- 6. Navigating 8v 3 Phase Power Cord Wiring Diagram eBook Formats
  - ePub, PDF, MOBI, and More
  - 8v 3 Phase Power Cord Wiring Diagram Compatibility with Devices
  - 8v 3 Phase Power Cord Wiring Diagram Enhanced eBook Features
- 7. Enhancing Your Reading Experience
  - Adjustable Fonts and Text Sizes of 8v 3 Phase Power Cord Wiring Diagram
  - Highlighting and Note-Taking 8v 3 Phase Power Cord Wiring Diagram
  - Interactive Elements 8v 3 Phase Power Cord Wiring Diagram
- 8. Staying Engaged with 8v 3 Phase Power Cord Wiring Diagram
  - Joining Online Reading Communities
  - Participating in Virtual Book Clubs
  - Following Authors and Publishers 8v 3 Phase Power Cord Wiring Diagram
- 9. Balancing eBooks and Physical Books 8v 3 Phase Power Cord Wiring Diagram
  - Benefits of a Digital Library
  - Creating a Diverse Reading Collection 8v 3 Phase Power Cord Wiring Diagram
- 10. Overcoming Reading Challenges
  - Dealing with Digital Eye Strain
  - Minimizing Distractions
  - Managing Screen Time
- 11. Cultivating a Reading Routine 8v 3 Phase Power Cord Wiring Diagram
  - Setting Reading Goals 8v 3 Phase Power Cord Wiring Diagram
  - Carving Out Dedicated Reading Time
- 12. Sourcing Reliable Information of 8v 3 Phase Power Cord Wiring Diagram
  - Fact-Checking eBook Content of 8v 3 Phase Power Cord Wiring Diagram

- Distinguishing Credible Sources
- 13. Promoting Lifelong Learning
  - Utilizing eBooks for Skill Development
  - Exploring Educational eBooks
- 14. Embracing eBook Trends
  - Integration of Multimedia Elements
  - Interactive and Gamified eBooks

### **8v 3 Phase Power Cord Wiring Diagram Introduction**

8v 3 Phase Power Cord Wiring Diagram Offers over 60,000 free eBooks, including many classics that are in the public domain. Open Library: Provides access to over 1 million free eBooks, including classic literature and contemporary works. 8v 3 Phase Power Cord Wiring Diagram Offers a vast collection of books, some of which are available for free as PDF downloads, particularly older books in the public domain. 8v 3 Phase Power Cord Wiring Diagram : This website hosts a vast collection of scientific articles, books, and textbooks. While it operates in a legal gray area due to copyright issues, its a popular resource for finding various publications. Internet Archive for 8v 3 Phase Power Cord Wiring Diagram : Has an extensive collection of digital content, including books, articles, videos, and more. It has a massive library of free downloadable books. Free-eBooks 8v 3 Phase Power Cord Wiring Diagram Offers a diverse range of free eBooks across various genres. 8v 3 Phase Power Cord Wiring Diagram Focuses mainly on educational books, textbooks, and business books. It offers free PDF downloads for educational purposes. 8v 3 Phase Power Cord Wiring Diagram Provides a large selection of free eBooks in different genres, which are available for download in various formats, including PDF. Finding specific 8v 3 Phase Power Cord Wiring Diagram, especially related to 8v 3 Phase Power Cord Wiring Diagram, might be challenging as theyre often artistic creations rather than practical blueprints. However, you can explore the following steps to search for or create your own Online Searches: Look for websites, forums, or blogs dedicated to 8v 3 Phase Power Cord Wiring Diagram, Sometimes enthusiasts share their designs or concepts in PDF format. Books and Magazines Some 8v 3 Phase Power Cord Wiring Diagram books or magazines might include. Look for these in online stores or libraries. Remember that while 8v 3 Phase Power Cord Wiring Diagram, sharing copyrighted material without permission is not legal. Always ensure youre either creating your own or obtaining them from legitimate sources that allow sharing and downloading. Library Check if your local library offers eBook lending services. Many libraries have digital catalogs where you can borrow 8v 3 Phase Power Cord Wiring Diagram eBooks for free, including popular titles. Online Retailers: Websites like Amazon, Google Books, or Apple Books often sell eBooks. Sometimes, authors or publishers offer promotions or free periods for certain books. Authors Website

Occasionally, authors provide excerpts or short stories for free on their websites. While this might not be the 8v 3 Phase Power Cord Wiring Diagram full book, it can give you a taste of the authors writing style. Subscription Services Platforms like Kindle Unlimited or Scribd offer subscription-based access to a wide range of 8v 3 Phase Power Cord Wiring Diagram eBooks, including some popular titles.

### **FAQs About 8v 3 Phase Power Cord Wiring Diagram Books**

How do I know which eBook platform is the best for me? Finding the best eBook platform depends on your reading preferences and device compatibility. Research different platforms, read user reviews, and explore their features before making a choice. Are free eBooks of good quality? Yes, many reputable platforms offer high-quality free eBooks, including classics and public domain works. However, make sure to verify the source to ensure the eBook credibility. Can I read eBooks without an eReader? Absolutely! Most eBook platforms offer webbased readers or mobile apps that allow you to read eBooks on your computer, tablet, or smartphone. How do I avoid digital eye strain while reading eBooks? To prevent digital eye strain, take regular breaks, adjust the font size and background color, and ensure proper lighting while reading eBooks. What the advantage of interactive eBooks? Interactive eBooks incorporate multimedia elements, quizzes, and activities, enhancing the reader engagement and providing a more immersive learning experience. 8v 3 Phase Power Cord Wiring Diagram is one of the best book in our library for free trial. We provide copy of 8v 3 Phase Power Cord Wiring Diagram in digital format, so the resources that you find are reliable. There are also many Ebooks of related with 8v 3 Phase Power Cord Wiring Diagram. Where to download 8v 3 Phase Power Cord Wiring Diagram online for free? Are you looking for 8v 3 Phase Power Cord Wiring Diagram PDF? This is definitely going to save you time and cash in something you should think about. If you trying to find then search around for online. Without a doubt there are numerous these available and many of them have the freedom. However without doubt you receive whatever you purchase. An alternate way to get ideas is always to check another 8v 3 Phase Power Cord Wiring Diagram. This method for see exactly what may be included and adopt these ideas to your book. This site will almost certainly help you save time and effort, money and stress. If you are looking for free books then you really should consider finding to assist you try this. Several of 8v 3 Phase Power Cord Wiring Diagram are for sale to free while some are payable. If you arent sure if the books you would like to download works with for usage along with your computer, it is possible to download free trials. The free guides make it easy for someone to free access online library for download books to your device. You can get free download on free trial for lots of books categories. Our library is the biggest of these that have literally hundreds of thousands of different products categories represented. You will also see that there are specific sites catered to different product types or categories, brands or niches related with 8v 3 Phase Power Cord

Wiring Diagram. So depending on what exactly you are searching, you will be able to choose e books to suit your own need. Need to access completely for Campbell Biology Seventh Edition book? Access Ebook without any digging. And by having access to our ebook online or by storing it on your computer, you have convenient answers with 8v 3 Phase Power Cord Wiring Diagram To get started finding 8v 3 Phase Power Cord Wiring Diagram, you are right to find our website which has a comprehensive collection of books online. Our library is the biggest of these that have literally hundreds of thousands of different products represented. You will also see that there are specific sites catered to different categories or niches related with 8v 3 Phase Power Cord Wiring Diagram So depending on what exactly you are searching, you will be able to choose ebook to suit your own need. Thank you for reading 8v 3 Phase Power Cord Wiring Diagram. Maybe you have knowledge that, people have search numerous times for their favorite readings like this 8v 3 Phase Power Cord Wiring Diagram, but end up in harmful downloads. Rather than reading a good book with a cup of coffee in the afternoon, instead they juggled with some harmful bugs inside their laptop. 8v 3 Phase Power Cord Wiring Diagram is available in our book collection an online access to it is set as public so you can download it instantly. Our digital library spans in multiple locations, allowing you to get the most less latency time to download any of our books like this one. Merely said, 8v 3 Phase Power Cord Wiring Diagram is universally compatible with any devices to read.

### **Find 8v 3 Phase Power Cord Wiring Diagram :**

*cooking recipes manual*

*language learning tips*

*photography tutorial 2025 edition*

**wellness planner 2025 edition**

2026 guide car repair manual

travel guide reader's choice

sports training global trend

**tips photography tutorial**

*2026 guide cooking recipes*

**wellness planner for beginners**

**tips photography tutorial**

*pro travel guide*

quick start travel guide

*cooking recipes for beginners*



fitness-workout-reader's-choice

### **8v 3 Phase Power Cord Wiring Diagram :**

*download your free security guard training manual template* - Feb 26 2022

web course security roles in communications 3 course security personnel s role in handling emergencies 3 course the role of security officers 4 build your free security guard training manual today security guard training manual pdf files nys security guard manual student training objectives

**the effective security officer s training manual sciencedirect** - May 12 2023

web meets asis international s guidelines for private security officer selection and training addresses the latest technological advancements that impact how today s security officers do their jobs discusses the increased role security officers have in observing and reporting suspicious activities and events

**security management operation manual undac** - Jul 14 2023

web 4 these guidelines should be read in conjunction with security policy manual chapter iv section i armed private security companies b aim 5 in circumstances where a united nations security management system organization determines that armed security services from a private security company are required the

**download your free security guard training manual template** - Aug 15 2023

web turn a security guard training manual template into sleek interactive lessons within minutes for free don t settle for static security guard training manual pdfs transform them into impressive microlearning lessons that are easy to

**download your free security guard training manual template** - Apr 30 2022

web the units of the european workforce training manual for basic guarding unit 1 the private technical business component 2 the security guarding item 3 private security officer selection and training private security officer pso selection and training guideline

**download your free security guard training manual template** - Oct 05 2022

web we ve composition that best security guard training manual samples on the web both turned them into free microlearning courses that you can deploy directly to your teams our vision for a free online training platform our impact the work we re most proud of microlearning why we re 100 behind bite sized

module 3 basic security procedures - Dec 07 2022

web security guard in his or her daily work that make for poor security public relations many security guards fail to recognize these factors in advance and as a result either fail to provide an adequate level of service or make their jobs more difficult than they have to be some of the barriers to good public relations are suspicion

[private security officer selection and training](#) - Feb 09 2023

web the private security officer pso selection and training guideline has been written for both proprietary and contract security but is not intended to cover all aspects of selection and training criteria for private security officers

**download your free security guard training manual template** - Aug 03 2022

web the units of the europaweit vocational professional manual for basic guarding unit 1 the private security industry item 2 the security guard unit 3 private security officer selection and training private security officer pso selection and training guideline tm ultimate report white vocational training manual for basic

[the full guide to effective security guard training in 2023](#) - Jun 13 2023

web updated on august 21 2023 11 min read topics guides training providing your security guards with the proper training is crucial to providing top services and keeping your clients safe learn all the ins and outs of security guard training in this guide table of contents getting started with security guard training

**download your free security guard training manual template** - Nov 06 2022

web introduction 6 the units of the caucasian vocational training manual for basic guarding single 1 the private security industry unit 2 the security guard unit 3 private security officer selection the training private security policeman pso wahl and training guideline

[download your liberate security guard training manual](#) - Jan 08 2023

web we ve compiled who best security guard training manual samples on the web and turned them into free microlearning courses that you can provisioning directly to your teams

**the effective security officer s training manual 3rd edition** - Mar 10 2023

web mar 22 2014 chapter 1 introduction to security what is private security development of private security in the united states security development and the future september 11 2001 new guidelines from asis summary chapter 2 security personnel standard 2 1 training in private security standard 2 2 professional certification programs

**guard training programs a development guide** - Jun 01 2022

web jul 1 2020 read more about guard training programs in guard training programs eight recommendations dr glen kitteringham cpp heads kitteringham security group inc and has taught many courses for the university of calgary the international foundation for protection officers and the justice institute of british columbia

[private security guard training manual pdf issuu](#) - Jan 28 2022

web sep 25 2017 this particular private security guard training manual pdf e book is listed in our data source as with file size for about 390 75 and then published at 24 mar 2014

**training manual english european economic and social** - Apr 11 2023

web the european vocational training manual for basic guarding within the guarding services sector of the private security industry in europe is the culmination of 3 years intensive work and extensive cooperation by the social partners coess and uni europa supported by dg education and culture and dg employment and social affairs

*pdf private investigator and security guard training manual* - Sep 16 2023

web title a force for good mapping the private security landscape in southeast europe author of kosovo chapter donika emini and mentor vrajolli date september 2015 the first publication of the project explores and assesses the origins and current state of the private security sector in each of the target countries with specific reference to principles of

basic security guard training course - Jul 02 2022

web private security is different from public security in several significant ways private security is provided to clients for a fee and except in special circumstances has its jurisdiction limited to the property owned by the client rather than service provided in the interests of the public

*private investigator security guard training manual january* - Sep 04 2022

web private investigator security guard training manual january 2008 pdf security guard private investigator corrections public safety and policing saskatchewan justice has introduced a number of changes to the legislation affecting private investigators and security guards

**download your free security guard training manual template** - Mar 30 2022

web we've compiled of best security guard training manual samples on the mesh or turned them into cost free microlearning courses so you can deploy directly to your teams

plumbing heating gas industry course information pdf - May 22 2022

web download and install plumbing heating gas industry course information consequently simple the city guilds textbook plumbing book 2 second edition for the level 3 apprenticeship

plumbing qualifications and training courses city guilds - Feb 28 2023

web may 15 2023 information documents last updated 15 may 2023 start your career in plumbing learn how to deal with leaky pipes water systems and drainage a qualification in plumbing will help you learn the trade and progress onto an nvq

**plumbing heating amp gas industry course information yumpu** - Sep 06 2023

web plumbing heating gas industry course information en english deutsch français español português italiano română nederlands latina dansk svenska norsk magyar bahasa indonesia türkçe suomi latvian lithuanian česk

**gas foundation course part time skills training group** - Mar 20 2022

web our 71 week gas managed learning programme is the uk's most comprehensive and in depth gas training course for adults as the course is completed part time this allows you to earn while you learn there are two variants of

**petrol ve doğal gaz müh 100 İngilizce ders planı İtÜ Öİdb** - Jun 22 2022

web petrol ve doğal gaz müh 100 İngilizce ders planı 2021 2022 güz dönemi sonrası 1 yarıyıl

**gas foundation course full time skills training group** - Dec 29 2022

web download your free course information pack today and find out how you can become a fully qualified gas safe engineer  
download information pack our comprehensive gas foundation course allows beginners to learn the fundamentals and  
kickstart their career as a heating engineer learn more here

plumbing and domestic heating 6189 city guilds - Jun 03 2023

web may 23 2023 city guilds domestic heating and plumbing courses cover the essential knowledge and skills needed for a  
successful career in domestic plumbing and heating areas of study include domestic hot and cold water systems

level 1 in plumbing studies midkent college - Sep 25 2022

web plumbers and heating and ventilating engineers jobholders in this unit group assemble install maintain and repair  
plumbing fixtures heating and ventilating systems and pipes and pipeline systems in commercial residential

**plumbing heating gas industry course information** - Oct 07 2023

web this modern apprenticeship course should gaining various basic plumbing skills they be of interest to all plumbing  
heating gas would also have achieved a higher level of installation servicing companies gas competence

*gas training courses gas training courses* - Nov 27 2022

web the uk s leading gas plumbing heating engineer we deliver a range of gas heating and renewables courses designed to  
get you earning in the heating and plumbing industry a new career for 5 900 spread the cost part time or full time training  
*plumbing courses training full time part time skills training group* - Jan 30 2023

web 29 week central heating training programme for new entrants into the domestic heating industry includes gas boilers  
cookers fires air source heat pumps

**oil gas training courses in istanbul turkey** - Apr 20 2022

web aztech training features quality assured oil gas training courses in istanbul each conscientiously developed and delivered  
by our diverse panel of senior consultants and industry experts with extensive foundation and knowledge in the field of oil  
gas our oil gas training courses in istanbul are designed to align with international standards by

**level 2 technical in plumbing and heating dcg** - Aug 25 2022

web oct 23 2023 course summary subject area construction plumbing and gas training course type school leaver vocational  
technical location the roundhouse full time or part time ft level 2 number of years 1 interview required y information for  
students information for employers related careers success stories who is this course for

oil gas technology training courses in istanbul turkey - Jul 24 2022

web with experienced instructors and a practical curriculum our oil gas technology training courses in istanbul turkey empower professionals like you to achieve your career goals you will deeply understand the fundamental principles and best practices through interactive sessions hands on exercises and real world case studies

[plumbing heating gas leicester college](#) - May 02 2023

web who are leicester college s plumbing heating and gas courses for our plumbing and gas courses are suitable both for school leavers as well as older people and or those with some experience in the industry

**gas qualifications and training courses pride through achievement bpec** - Jul 04 2023

web level 3 diploma in plumbing and domestic heating level 1 2 3 diploma in plumbing foundation nvq diploma in plumbing and heating level 2 nvq diploma in domestic plumbing and heating level 3 environmental technology level 3 nvq diploma in domestic plumbing and heating gas fired water and central heating appliances

[plumbing heating gas industry course information yumpu](#) - Aug 05 2023

web plumbing heating gas industry course information en english deutsch français espagnol portugûes italiano român nederlands latina dansk svenska norsk magyar bahasa indonesia türkçe suomi latvian lithuanian česk plumbing heating gas industry course information plumbing heating gas industry course information

**domestic natural gas plumbing and heating industry course information** - Oct 27 2022

web this new modern apprenticeship course should be of interest to all plumbing heating and gas installation servicing companies if you are plumbing and heating company trying to break into any gas contract work for installation servicing and maintenance or have an existing gas services installation workforce you could

**plumbing heating gas industry course information yumpu** - Apr 01 2023

web plumbing heating gas industry course information attention your epaper is waiting for publication by publishing your document the content will be optimally indexed by google via ai and sorted into the right category for

*ebook plumbing heating gas industry course information* - Feb 16 2022

web plumbing heating gas industry course information oil 101 oct 18 2021 since 1859 oil has enabled and defined our economic social and political landscape throughout this time abundant supply ensured low stable prices and the inner workings of the oil industry remained relatively obscure following a

**the opportunity for ai in manufacturing singapore news center** - Mar 16 2023

web may 24 2019 this week we launched the future computed ai and manufacturing to provide an in depth look at how ai is transforming the manufacturing sector by optimising digital operations and driving efficiencies enabling new products and services and allowing for safer work environments

**the future computed news microsoft com** - Aug 21 2023

web the future computed ai and manufacturing is the next book in the future computed series microsoft s ongoing contribution to the discussion on ai and its role in society the book features stories from industry leaders and policymakers from around the world sharing insights into how customers can progress their ai journey

*how factories are deploying ai on production lines* [bbc news](#) - Apr 05 2022

web nov 16 2023 augury augury s ai software is fed data by numerous sensors the sensors used in pepsi co factories have been trained on huge volumes of audio data to be able to detect faults such as wearing on

*the future computed ai and manufacturing* [google books](#) - Dec 13 2022

web jul 5 2019 the second in microsoft s future computed series this new book sets out options for governments and industry to enable a competitive manufacturing sector deliver ai in an ethical way and

**the future computed ai and manufacturing** [amazon com](#) - Sep 10 2022

web jul 5 2019 the second in microsoft s future computed series this new book sets out options for governments and industry to enable a competitive manufacturing sector deliver ai in an ethical way and build a sustainable talent supply chain

[the future computed ai and manufacturing](#) - May 06 2022

web in an interview with microsoft rsquo s cc edil ađlayan arkan the future computed ai and manufacturing author greg shaw shares stories of innovation from digital leaders who are breaking new ground in manufacturing with ai

**the future computed ai and manufacturing the future computed** - Nov 12 2022

web jul 1 2019 the future computed ai and manufacturing shares insights from leading companies policy makers and labor representatives on how ai is reshaping the marketplace the workplace and the workforce the second in

**the future computed ai and manufacturing the official microsoft blog** - Sep 22 2023

web may 22 2019 today microsoft is releasing the future computed ai and manufacturing this new book provides an in depth look at how artificial intelligence ai is transforming the manufacturing sector by optimizing digital operations and driving efficiencies enabling new products and services and allowing for safer work environments

[the future computed ai manufacturing linkedin](#) - Jun 19 2023

web may 23 2019 today microsoft launches the latest book in the future computed series focusing on ai in manufacturing through a series of interviews with customers policymakers and labor

**the future computed ai and manufacturing the future computed** - Oct 23 2023

web ai creates compelling jobs in manufacturing training and education can connect workers with job opportunities

download print web next generation policies and laws are needed for next generation technologies download print web the future computed ai and manufacturing image collage download print web

**the future computed ai and manufacturing by greg shaw** [goodreads](#) - Oct 11 2022

web jul 1 2019 the future computed ai manufacturing greg shaw Çağlayan akan foreword 3 67 6 ratings0 reviews the sector that led the first and second industrial revolutions is again at the forefront of adopting new technologies to raise productivity reinvent business processes and create safer work environments

**the future of manufacturing generative ai and beyond forbes** - May 18 2023

web jul 25 2023 microsoft announces maia ai arm cpu amd mi300 new nvidia for azure nov 16 2023 11 00am est in 2024 big media gets its mojo back nov 16 2023 10 23am est the ai era accelerates agencies

microsoft news - Feb 15 2023

web how is ai transforming the manufacturing sector and what are the implications for society workers and policymakers find out in this research report by microsoft featuring insights from industry leaders and experts the future computed ai and manufacturing is a comprehensive and accessible guide to the opportunities and challenges of ai in the

**the future computed ai and manufacturing info microsoft com** - Jul 20 2023

web at hannover messe 2019 microsoft pre announced the future computed ai and manufacturing the next book in microsoft s the future computed series the book features stories from industry leaders and policymakers from around the world sharing insights into how customers can progress their ai journey

microsoft publishes the future computed ai and manufacturing - Jul 08 2022

web the future computed ai and manufacturing consists of four chapters the first focuses on the future of artificial intelligence in industrial production through several use cases that show how ai has led to improved efficiency in different sectors

**the future computed ai and manufacturing linkedin** - Jan 14 2023

web jul 22 2019 manufacturing is one of the industries that is leading the way in capitalizing on the full potential of ai powered innovation in fact ai will add nearly 3 7 trillion to the manufacturing sector

**the future computed ai and manufacturing youtube** - Aug 09 2022

web jun 27 2019 2k views 3 years ago francisco ortigosa from repsol a leading energy manufacturer sits down with greg shaw author of the future computed ai and manufacturing to share how the company is

the future computed ai and manufacturing learn from the ai - Mar 04 2022

web aug 1 2019 in a new interview i spoke with microsoft s greg shaw author of the future computed ai and manufacturing who shares real world stories of frontline ai innovation for the book greg

**the future computed ai and manufacturing** - Jun 07 2022

web the future computed ai and manufacturing july 29 2019 in an interview with microsoft s Çağlayan arkan the future computed ai and manufacturing author greg shaw shares stories of innovation from digital leaders who are breaking new

ground in manufacturing with ai

**the future computed ai and manufacturing the manufacturer** - Apr 17 2023

web the future computed ai and manufacturing is the next book in microsoft s the future computed series looking at the impact of ai on society author greg shaw explores the challenges and opportunities manufacturers face as they progress their ai journey