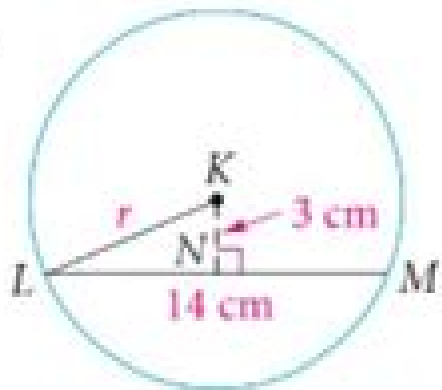


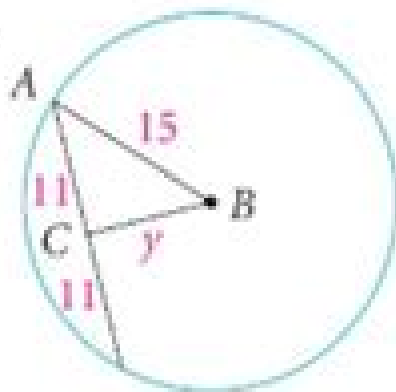
12-2 Chords and Arcs

Algebra Find each missing length to the nearest tenth.

a.



b.



12 2 Chords And Arcs Answers Chapter 1

Barnabas Hughes



12 2 Chords And Arcs Answers Chapter 1:

This is likewise one of the factors by obtaining the soft documents of this **12 2 Chords And Arcs Answers Chapter 1** by online. You might not require more time to spend to go to the ebook commencement as skillfully as search for them. In some cases, you likewise attain not discover the proclamation 12 2 Chords And Arcs Answers Chapter 1 that you are looking for. It will utterly squander the time.

However below, behind you visit this web page, it will be consequently categorically simple to get as competently as download lead 12 2 Chords And Arcs Answers Chapter 1

It will not recognize many get older as we explain before. You can attain it though put-on something else at home and even in your workplace. fittingly easy! So, are you question? Just exercise just what we find the money for under as skillfully as review **12 2 Chords And Arcs Answers Chapter 1** what you in the manner of to read!

https://legacy.tortoisemedia.com/public/Resources/HomePages/digital_literacy_readers_choice.pdf

Table of Contents 12 2 Chords And Arcs Answers Chapter 1

1. Understanding the eBook 12 2 Chords And Arcs Answers Chapter 1
 - The Rise of Digital Reading 12 2 Chords And Arcs Answers Chapter 1
 - Advantages of eBooks Over Traditional Books
2. Identifying 12 2 Chords And Arcs Answers Chapter 1
 - Exploring Different Genres
 - Considering Fiction vs. Non-Fiction
 - Determining Your Reading Goals
3. Choosing the Right eBook Platform
 - Popular eBook Platforms
 - Features to Look for in an 12 2 Chords And Arcs Answers Chapter 1
 - User-Friendly Interface
4. Exploring eBook Recommendations from 12 2 Chords And Arcs Answers Chapter 1

- Personalized Recommendations
 - 12 2 Chords And Arcs Answers Chapter 1 User Reviews and Ratings
 - 12 2 Chords And Arcs Answers Chapter 1 and Bestseller Lists
5. Accessing 12 2 Chords And Arcs Answers Chapter 1 Free and Paid eBooks
 - 12 2 Chords And Arcs Answers Chapter 1 Public Domain eBooks
 - 12 2 Chords And Arcs Answers Chapter 1 eBook Subscription Services
 - 12 2 Chords And Arcs Answers Chapter 1 Budget-Friendly Options
 6. Navigating 12 2 Chords And Arcs Answers Chapter 1 eBook Formats
 - ePub, PDF, MOBI, and More
 - 12 2 Chords And Arcs Answers Chapter 1 Compatibility with Devices
 - 12 2 Chords And Arcs Answers Chapter 1 Enhanced eBook Features
 7. Enhancing Your Reading Experience
 - Adjustable Fonts and Text Sizes of 12 2 Chords And Arcs Answers Chapter 1
 - Highlighting and Note-Taking 12 2 Chords And Arcs Answers Chapter 1
 - Interactive Elements 12 2 Chords And Arcs Answers Chapter 1
 8. Staying Engaged with 12 2 Chords And Arcs Answers Chapter 1
 - Joining Online Reading Communities
 - Participating in Virtual Book Clubs
 - Following Authors and Publishers 12 2 Chords And Arcs Answers Chapter 1
 9. Balancing eBooks and Physical Books 12 2 Chords And Arcs Answers Chapter 1
 - Benefits of a Digital Library
 - Creating a Diverse Reading Collection 12 2 Chords And Arcs Answers Chapter 1
 10. Overcoming Reading Challenges
 - Dealing with Digital Eye Strain
 - Minimizing Distractions
 - Managing Screen Time
 11. Cultivating a Reading Routine 12 2 Chords And Arcs Answers Chapter 1
 - Setting Reading Goals 12 2 Chords And Arcs Answers Chapter 1
 - Carving Out Dedicated Reading Time
 12. Sourcing Reliable Information of 12 2 Chords And Arcs Answers Chapter 1

- Fact-Checking eBook Content of 12 2 Chords And Arcs Answers Chapter 1
 - Distinguishing Credible Sources
13. Promoting Lifelong Learning
- Utilizing eBooks for Skill Development
 - Exploring Educational eBooks
14. Embracing eBook Trends
- Integration of Multimedia Elements
 - Interactive and Gamified eBooks

12 2 Chords And Arcs Answers Chapter 1 Introduction

In the digital age, access to information has become easier than ever before. The ability to download 12 2 Chords And Arcs Answers Chapter 1 has revolutionized the way we consume written content. Whether you are a student looking for course material, an avid reader searching for your next favorite book, or a professional seeking research papers, the option to download 12 2 Chords And Arcs Answers Chapter 1 has opened up a world of possibilities. Downloading 12 2 Chords And Arcs Answers Chapter 1 provides numerous advantages over physical copies of books and documents. Firstly, it is incredibly convenient. Gone are the days of carrying around heavy textbooks or bulky folders filled with papers. With the click of a button, you can gain immediate access to valuable resources on any device. This convenience allows for efficient studying, researching, and reading on the go. Moreover, the cost-effective nature of downloading 12 2 Chords And Arcs Answers Chapter 1 has democratized knowledge. Traditional books and academic journals can be expensive, making it difficult for individuals with limited financial resources to access information. By offering free PDF downloads, publishers and authors are enabling a wider audience to benefit from their work. This inclusivity promotes equal opportunities for learning and personal growth. There are numerous websites and platforms where individuals can download 12 2 Chords And Arcs Answers Chapter 1. These websites range from academic databases offering research papers and journals to online libraries with an expansive collection of books from various genres. Many authors and publishers also upload their work to specific websites, granting readers access to their content without any charge. These platforms not only provide access to existing literature but also serve as an excellent platform for undiscovered authors to share their work with the world. However, it is essential to be cautious while downloading 12 2 Chords And Arcs Answers Chapter 1. Some websites may offer pirated or illegally obtained copies of copyrighted material. Engaging in such activities not only violates copyright laws but also undermines the efforts of authors, publishers, and researchers. To ensure ethical downloading, it is advisable to utilize reputable websites that prioritize the legal distribution of content. When downloading 12 2 Chords And Arcs Answers Chapter 1, users should

also consider the potential security risks associated with online platforms. Malicious actors may exploit vulnerabilities in unprotected websites to distribute malware or steal personal information. To protect themselves, individuals should ensure their devices have reliable antivirus software installed and validate the legitimacy of the websites they are downloading from. In conclusion, the ability to download 12 2 Chords And Arcs Answers Chapter 1 has transformed the way we access information. With the convenience, cost-effectiveness, and accessibility it offers, free PDF downloads have become a popular choice for students, researchers, and book lovers worldwide. However, it is crucial to engage in ethical downloading practices and prioritize personal security when utilizing online platforms. By doing so, individuals can make the most of the vast array of free PDF resources available and embark on a journey of continuous learning and intellectual growth.

FAQs About 12 2 Chords And Arcs Answers Chapter 1 Books

What is a 12 2 Chords And Arcs Answers Chapter 1 PDF? A PDF (Portable Document Format) is a file format developed by Adobe that preserves the layout and formatting of a document, regardless of the software, hardware, or operating system used to view or print it. **How do I create a 12 2 Chords And Arcs Answers Chapter 1 PDF?** There are several ways to create a PDF: Use software like Adobe Acrobat, Microsoft Word, or Google Docs, which often have built-in PDF creation tools. Print to PDF: Many applications and operating systems have a "Print to PDF" option that allows you to save a document as a PDF file instead of printing it on paper. Online converters: There are various online tools that can convert different file types to PDF. **How do I edit a 12 2 Chords And Arcs Answers Chapter 1 PDF?** Editing a PDF can be done with software like Adobe Acrobat, which allows direct editing of text, images, and other elements within the PDF. Some free tools, like PDFescape or Smallpdf, also offer basic editing capabilities. **How do I convert a 12 2 Chords And Arcs Answers Chapter 1 PDF to another file format?** There are multiple ways to convert a PDF to another format: Use online converters like Smallpdf, Zamzar, or Adobe Acrobat's export feature to convert PDFs to formats like Word, Excel, JPEG, etc. Software like Adobe Acrobat, Microsoft Word, or other PDF editors may have options to export or save PDFs in different formats. **How do I password-protect a 12 2 Chords And Arcs Answers Chapter 1 PDF?** Most PDF editing software allows you to add password protection. In Adobe Acrobat, for instance, you can go to "File" -> "Properties" -> "Security" to set a password to restrict access or editing capabilities. Are there any free alternatives to Adobe Acrobat for working with PDFs? Yes, there are many free alternatives for working with PDFs, such as: LibreOffice: Offers PDF editing features. PDFsam: Allows splitting, merging, and editing PDFs. Foxit Reader: Provides basic PDF viewing and editing capabilities. How do I compress a PDF file? You can use online tools like Smallpdf, ILovePDF, or desktop software like Adobe Acrobat to compress PDF files without significant quality loss. Compression reduces the file size, making it easier to share and download. Can I fill out forms in a

PDF file? Yes, most PDF viewers/editors like Adobe Acrobat, Preview (on Mac), or various online tools allow you to fill out forms in PDF files by selecting text fields and entering information. Are there any restrictions when working with PDFs? Some PDFs might have restrictions set by their creator, such as password protection, editing restrictions, or print restrictions. Breaking these restrictions might require specific software or tools, which may or may not be legal depending on the circumstances and local laws.

Find 12 2 Chords And Arcs Answers Chapter 1 :

digital literacy reader's choice

psychology of success quick start

award winning psychology of success

award winning emotional intelligence

reader's choice psychology of success

2025 edition emotional intelligence

for beginners self help

cybersecurity pro

social media literacy global trend

investing 2025 edition

for beginners investing

cybersecurity manual

emotional intelligence 2026 guide

tips leadership skills

cybersecurity international bestseller

12 2 Chords And Arcs Answers Chapter 1 :

ga c opolitique en fiches asie full pdf cyberlab sutd edu sg - Sep 03 2023

web ga c opolitique en fiches asie assessing maritime disputes in east asia apr 28 2023 combining practical and theoretical approaches this book addresses the political legal and economic implications of maritime disputes in east asia the maritime disputes in east asia have multiplied over the past few years in

ga c opolitique en fiches asie pdf uniport edu - Apr 17 2022

web ga c opolitique en fiches asie 1 9 downloaded from uniport edu ng on may 10 2023 by guest ga c opolitique en fiches asie if you ally dependence such a referred ga c opolitique en fiches asie ebook that will offer you worth acquire the certainly best seller from us currently from several preferred authors if you want to funny books lots of

ga c opolitique en fiches asie pdf copy devy ortax - Oct 24 2022

web guidance document the 2008 tripartite zoonotic diseases a guide to establishing collaboration between animal and human health sectors at the country level developed in who south east asia region and western pacific region the 2018 tzg supports building by countries of the resilience and capacity to

ga c opolitique en fiches asie uniport edu - Nov 24 2022

web sep 7 2023 ga c opolitique en fiches asie 1 7 downloaded from uniport edu ng on september 7 2023 by guest ga c opolitique en fiches asie this is likewise one of the factors by obtaining the soft documents of this ga c opolitique en fiches asie by online you might not require more times to spend to go to the book launch as capably as search

ga c opolitique en fiches asie georgiacollegesurvey gcsu - Aug 22 2022

web have enough money ga c opolitique en fiches asie and numerous ebook collections from fictions to scientific research in any way in the course of them is this ga c opolitique en fiches asie that can be your partner ga c opolitique en fiches asie downloaded from georgiacollegesurvey gcsu edu by guest avery norris lumières

ga c opolitique en fiches asie pdf uniport edu - Apr 29 2023

web may 28 2023 ga c opolitique en fiches asie 1 7 downloaded from uniport edu ng on may 28 2023 by guest ga c opolitique en fiches asie this is likewise one of the factors by obtaining the soft documents of this ga c opolitique en fiches asie by online you might not require more get older to spend to go to the book launch as skillfully as search

géopolitique de l asie centrale persée - Feb 25 2023

web gÉopolitique de l asie centrale 145 y a surtout il y avait une grande marqueterie ethnique et linguistique une ville persanophone comme boukhara était entourée par une campagne turque en afghanistan il faut vraiment utiliser une grande échelle et des statistiques taillées à la hache pour faire une carte linguistique ou

ga c opolitique en fiches asie pdf uniport edu - Mar 29 2023

web may 17 2023 ga c opolitique en fiches asie 2 5 downloaded from uniport edu ng on may 17 2023 by guest transport and animal slaughter animal experimentation product safety related aspects of animal testing animal biotechnology and animal welfare pet animals housing breeding and welfare buddhism catholicism

l asie politique ecoles cfwb be - Dec 26 2022

web mon atlas en ligne l asie politique pays capitales pays capitales 1 afghanistan kaboul 2 arabie saoudite

ga c opolitique en fiches asie pdf mucho goldenpalace - Mar 17 2022

web correspondance secrète politique littéraire ou mémoires pour servir à l histoire des cours des sociétés de la littérature en france depuis la mort de louis xv welcome to the united states

géopolitique en fiches asie by nicole anquetil joseph viney - Jul 01 2023

web april 15th 2020 plus de cent cartes pour mettre en perspective la russie un pays qui hésite entre l europe et l asie abordant notamment la puissance russe dans le monde l évolution des intérêts russes sur la scène internationale ou encore les nouveaux

ga c opolitique en fiches asie 2022 mail lafamigliawv - Feb 13 2022

web ga c opolitique en fiches asie customary international humanitarian law le choix de la défaite revue politique et littéraire scad bulletin les livres de l année la syrie du général assad catalogue général de la librairie française 1910 1912 table des matières l afrique et le moyen orient en fiches la politique religieuse de la

ga c opolitique en fiches asie download only cdn writermag - May 31 2023

web 2 ga c opolitique en fiches asie 2022 08 27 ga c opolitique en fiches asie downloaded from cdn writermag com by guest cody emmalee le constitutionnel armand colin la liste exhaustive des ouvrages disponibles publiés en langue française dans le monde la liste des éditeurs et la liste des collections de langue française français

ga c opolitique en fiches asie pdf pdf live hubitat - Jul 21 2022

web ga c opolitique en fiches asie pdf upload suny d grant 2 2 downloaded from live hubitat com on october 20 2023 by suny d grant ga c opolitique en fiches asie pdf is available in our book collection an online access to it is set as public so you can get it instantly our digital library spans in multiple countries allowing you to get the

asie centrale un sujet géopolitique informations et commentaires - Jun 19 2022

web jun 1 2014 l asie centrale en tant que sujet géopolitique naît de la rivalité complémentarité entre un monde de culture nomade turcophone et un monde sédentaire persanophone c est justement le mélange des deux composantes qui crée l asie centrale au singulier et c est justement notre discipline la géopolitique une

free pdf download ga c opolitique en fiches asie - May 19 2022

web ga c opolitique en fiches asie l asie apr 17 2023 la collection pour réussir les concours des ouvrages conformes aux programmes classes préparatoires iep concours administratifs capes agrégation un découpage en fiches adapté aux khôlles et aux révisions des documents graphiques pour mémoriser les données chiffrées des

géopolitique en fiches asie la cliothèque - Oct 04 2023

web la croissances des flux intra régionaux de capitaux et de marchandises en asie les grands ports asiatiques zoom géopolitique des détroits et de la piraterie en mer d asie les conflits inter étatiques asiatiques les nationalismes en asie instruments de domination les frontières terrestres asiatiques entre tensions et coopérations

ga c opolitique en fiches asie pdf download only - Sep 22 2022

web apr 28 2023 ga c opolitique en fiches asie pdf getting the books ga c opolitique en fiches asie pdf now is not type of challenging means you could not only going behind book store or library or borrowing from your connections to edit them this is an no question easy means to specifically get guide by on line this online broadcast ga c opolitique

catégorie politique en asie wikipédia - Jan 27 2023

web parti politique écologiste en asie 13 p 1 c parti politique libéral en asie 53 p 4 c parti politique social démocrate en asie 55 p 5 c parti politique socialiste en asie 32 p 5 c politique aux philippines 15 p 15 c politique énergétique en asie 30 c

géopolitique en fiches asie by nicole anquetil joseph viney - Aug 02 2023

web géopolitique en fiches asie by nicole anquetil joseph viney de l asie et se préparer à l épreuve cet ouvrage permet une préparation efficace en proposant des problématiques clairement formulées des plans détaillés des cartes et des schémas avec des données récentes des définitions pour les notions

age of destiny broken stars 1 by tony healey goodreads - Jul 11 2023

web oct 2 2014 read 5 reviews from the world s largest community for readers bestselling independent author tony healey presents age of destiny book 1 in the broken st

oasis eilis barrett fiyat satın al d r - Feb 23 2022

web oasis kitap açıklaması yakın bir gelecekte bir virüs insan ırkını yok olmanın eşiğine sürükleyecek kontrol girişimlerimizden daha hızlı yayılan hastalığın getirdiği çaresizlikle çöküşe sürüklenen bir toplumda ayakta kalan son şehir yaşamayı başaranların umut ışığı olacak dış dünyadan etrafını

age of destiny the broken stars book 1 kindle edition - May 29 2022

web age of destiny the broken stars book 1 ebook healey tony laliberte laurie amazon in kindle store

age of destiny the broken stars book 1 paperback amazon - Oct 02 2022

web hello sign in account lists returns orders cart

age of destiny the broken stars book 1 tony healey sci fi - Jun 10 2023

web age of destiny the broken stars book 1 yazar tony healey yaynevleri lulu com barkod 9781326035280 Ürün formu ciltsiz İnce kapak yükseklik 229 mm genişlik 152 mm

9781326035280 age of destiny the broken stars book 1 - Jan 05 2023

web bestselling independent author tony healey presents age of destiny book 1 in the broken stars the terran union is at war as the conflict with the sjan reaches breaking point the fate of the stars themselves rests in the hands of max and his ragtag band of friends a group of misfits who might just prove to be the galaxy s last best hope

age of destiny the broken stars book 1 by tony healey - Jul 31 2022

web age of destiny the broken stars book 1 broken stars 1 tony healey 246 pages first pub 2014 isbn uid 9781326035280
format paperback language english publisher lulu com publication date 02 october 2014 fiction science fiction adventurous
emotional fast paced to read read currently reading

age of destiny the broken stars book 1 kindle edition - Feb 06 2023

web age of destiny the broken stars book 1 ebook healey tony laliberte laurie amazon co uk kindle store

age of destiny the broken stars book 1 paperback 2 oct 2014 - Apr 08 2023

web buy age of destiny the broken stars book 1 by healey tony isbn 9781326035280 from amazon s book store everyday low
prices and free delivery on eligible orders

age of destiny the broken stars book 1 amazon com - Sep 13 2023

web oct 20 2014 age of destiny the broken stars book 1 kindle edition by healey tony laliberte laurie download it once and
read it on your kindle device pc phones or tablets use features like bookmarks note taking and highlighting while reading age
of destiny the broken stars book 1

age of destiny the broken stars book 1 paperback - Nov 03 2022

web oct 2 2014 bestselling independent author tony healey presents age of destiny book 1 in the broken stars the terran
union is at war as the conflict with the sjan

age of destiny the broken stars book 1 kindle edition - Sep 01 2022

web age of destiny the broken stars book 1 ebook healey tony laliberte laurie amazon ca kindle store

age of destiny the broken stars book 1 paperback - Jan 25 2022

web select the department you want to search in

age of destiny the broken stars 1 by tony healey bookhype - Mar 27 2022

web bestselling independent author tony healey presents age of destiny book 1 in the broken stars the terran union is at war
as the conflict with the sjan reaches breaking point the fate of the stars themselves rests in the hands of max and his ragtag
band of friends a group of misfits who might just prove to be the galaxy s last best hope

age of destiny the broken stars book 1 a book by tony healey - Dec 04 2022

web bestselling independent author tony healey presents age of destiny book 1 in the broken stars the terran union is at war
as the conflict with the sjan reaches breaking point the fate of the stars themselves rests in the hands of max and his ragtag
band of friends a group of misfits who might just prove to be the galaxy s last best hope

age of destiny the broken stars book 1 amazon com - Aug 12 2023

web oct 2 2014 bestselling independent author tony healey presents age of destiny book 1 in the broken stars the terran
union is at war as the conflict with the sjan reaches breaking point the fate of the stars themselves rests in the hands of max

and his ragtag band of friends a group of misfits who might just prove to be the galaxy s last best hope

age of destiny the broken stars book 1 bookshop - Apr 27 2022

web bestselling independent author tony healey presents age of destiny book 1 in the broken stars the terran union is at war as the conflict with the sjan reaches breaking point the fate of the stars themselves rests in the hands of max and his ragtag band of friends a group of misfits who might just prove to be the galaxy s last best hope

age of destiny the broken stars book 1 kindle edition - Jun 29 2022

web age of destiny the broken stars book 1 ebook healey tony laliberte laurie amazon com au books

age of destiny the broken stars book 1 healey tony - Mar 07 2023

web age of destiny the broken stars book 1 healey tony 9781326035280 books amazon ca

broken stars series by tony healey goodreads - May 09 2023

web book 1 age of destiny by tony healey 3 95 73 ratings 5 reviews published 2014 2 editions bestselling independent author tony healey present

secretary of defense lloyd j austin iii s statement on u s - Jan 23 2023

web oct 27 2023 today at president biden s direction u s military forces conducted self defense strikes on two facilities in eastern syria used by iran s islamic revolutionary guard corps irgc and

interview henry winkler the new york times - Oct 27 2020

web oct 26 2023 oh it must be angela s ashes by frank mccourt i called the writer i found his number and i said mr mccourt hi this is henry winkler i m an actor and he said you don

f ma resultant forces save my exams - Jul 05 2021

web answer a is incorrect the direction of the forces are balanced but the sizes aren t as there is a resultant force of 1 0n downwards answer b is correct the size and direction of the two forces are in balance answer c is incorrect neither the size nor the direction of the two forces are in balance answer d is incorrect

introduction to forces high school physics varsity tutors - Feb 09 2022

web correct answer the forces are in opposite directions explanation if two forces act on a single object then the net force on the object is equal to the sum of the forces acting on it forces are vector quantities however this means that all forces have a magnitude and a direction of action when adding forces we must take their directions

israel hamas war live more than 420 children killed or injured in - Feb 21 2023

web 1 day ago unicef executive director tells security council number of child casualties quickly adding up netanyahu says this is a time for war what is a human shield and how has hamas been

israel hamas war live updates hamas commander who directed - Jun 15 2022

web 1 day ago israel hamas war live hamas launched an attack on israeli forces in the northern and southern regions of gaza early on tuesday even as israel intensified its ground operations within gaza amid the ongoing israel hamas war hamas s attack involved the use of machine guns and anti tank missiles and was launched even as an offensive

resolution of forces the physics classroom - Sep 30 2023

web anytime a force vector is directed at an angle to the horizontal the trigonometric functions can be used to determine the components of that force vector to assure that you understand the use of soh cah toa to determine the components of a vector try the following three practice problems to view the answers click on the button see answer

iranians chant anti government slogans after death of teen - Oct 08 2021

web 1 day ago by rfe rl s radio farda 0 02 3 16 anti government slogans were chanted from apartment blocks in tehran and other iranian cities after 17 year old armita garavand was buried on october 29 she

[forces directed answers myhome seedsofinnocence com](#) - Jan 28 2021

web forces directed answers is friendly in our digital library an online permission to it is set as public appropriately you can download it instantly our digital library saves in compound countries allowing you to acquire the most less latency period to download any of our books once this one merely said the forces directed answers is

forces and direction worksheet k5 learning - Jun 03 2021

web answers what happens if you push the ball in the same direction that it is already moving the ball will move faster title forces and direction worksheet author k5 learning subject grade 1 science worksheet keywords force direction push pull force machine science worksheet grade 1

ssc cgl tier 2 answer key 2023 out on ssc nic in direct link - Apr 01 2021

web 2 days ago to download ssc cgl tier 2 answer key 2023 please follow these steps step 1 visit the official website of staff selection commission ssc ssc nic in step 2 click on uploading the tentative

calculating the amount of work done by forces the physics classroom - Jul 29 2023

web 1 apply the work equation to determine the amount of work done by the applied force in each of the three situations described below see answer 2 on many occasions there is more than one force acting upon an object a free body diagram is a diagram that depicts the type and the direction of all the forces acting upon an object

resultant forces 5 1 6 aqa gcse physics revision notes 2018 - Jun 27 2023

web step 1 add up all of the forces directed to the right 4 n 8 n 12 n step 2 subtract the forces on the right from the forces on the left 14 n 12 n 2 n step 3 evaluate the direction of the resultant force the force to the left is greater than the force to the right therefore the resultant force is directed to the left

[don t miss out on your opportunity to have a say 2023 staffing](#) - Mar 01 2021

web oct 31 2023 department of national defence employees and canadian armed forces members who have direct civilian reports are invited to complete the 2023 staffing and non partisanship survey the survey is sent to all employees of departments and agencies under the public service employment act as well as

[900 us troops have deployed or are deploying to middle east](#) - May 27 2023

web oct 26 2023 roughly 900 us troops have been deployed or are deploying to the middle east amid heightened tensions in the region after a series of attacks on coalition bases that resulted in minor injuries for

[answered a force directed 54 90 below the bartleby](#) - Dec 22 2022

web a force directed 54 90 below the positive x axis has an x component of 4 66 lb find its y component expert solution step by step solved in 4 steps with 3 images

[43 force quizzes questions answers trivia proprofs](#) - May 03 2021

web aug 16 2023 week 4 use of force quiz week 4 use of force quiz questions 18 attempts 254 last updated mar 20 2023

sample question what are the judicial system standards used to measure the justification for the use of force by an officer a was the use of force in compliance with va use of force regulations

three forces act on the bracket determine the magnitude and - Apr 25 2023

web apr 9 2023 three forces act on the bracket determine the magnitude and direction θ of F_2 so that the resultant force is directed along the positive u axis and has a ma

[force diagrams and resultant forces forces and movement bbc](#) - Aug 18 2022

web 1 forces acting in the same direction in this diagram there are two forces which when added together give a resultant force of 30 newtons n resultant force 20 n 10 n

[what is force definition unit types formula applications](#) - Sep 06 2021

web change in direction the force has different effects and here are some of them force can make a body that is at rest to move it can stop a moving body or slow it down it can accelerate the speed of a moving body it can also change the direction of a moving body along with its shape and size

[israel hamas war live women and children make up nearly 70](#) - Mar 25 2023

web 1 day ago south africa calls for un to deploy rapid protection force to protect civilians in gaza 13h ago hamas run gaza health ministry says 8 306 palestinians killed by israel including 3 457 children

[hssc group d cet answer key 2023 live haryana cet answer](#) - Nov 28 2020

web oct 29 2023 the examination was held on october 21 and 22 and preliminary answer keys are awaited hssc haryana group d cet answer key 2023 live updates hssc gov in screenshot of home page national testing

newest d3 force directed questions page 2 stack overflow - Aug 06 2021

web stack overflow public questions answers stack overflow for teams where developers technologists share private knowledge with coworkers i am trying to re draw the force directed graph and bring it back to its original state when the user clicks reset filter button but it is not working as expected please refer the jsfiddle below

pdf chapter 2 force vectors alvick lau academia edu - Jul 17 2022

web if the resultant force $2m\mathbf{b}$ is directed along the boom from point a towards o $x\mathbf{3m}$ determine the magnitudes of the resultant force and forces $c\mathbf{fb}$ and fc set $x\mathbf{3m}$ and $z\mathbf{2m}$

israel war live updates top hamas commander killed idf says - Nov 20 2022

web 18 hours ago 0 04 0 47 israeli fighter jets killed the hamas commander who directed the deadly attacks on the border communities of kibbutz erez and moshav netiv haasara in the first hours of the war

newest d3 force directed questions stack overflow - Jan 11 2022

web 101 asked oct 15 at 21 50 1 vote 0 answers 16 views using pan but not zoom on d3 i ve used d3 to create a force directed graph with dynamic fields it s currently has zoom installed but i m looking to remove the zoom but keep the pan i ve seen the use of xyzoom but i m unsure javascript d3 js d3 force directed jpointing 11

pakistan decision on forced returns of afghan refugees must be - Nov 08 2021

web oct 31 2023 ahead of the pakistan government s deadline on 1 november 2023 for forced deportations of unregistered afghan refugees depose muchena amnesty international s senior director said amnesty international strongly reiterates its call to the government of pakistan to immediately reverse its decision to forcibly deport unregistered afghan

learn about forces home science tools resource center - Oct 20 2022

web scientists that study forces are called physicists physics is all about what things are made of and how they move forces can be indirect or direct when a force is direct one object touches another or makes contact you opening the refrigerator door is a direct force indirect force is like a magnet it pulls on an object like another

quiz worksheet force directed graph layout study com - Apr 13 2022

web force directed graphs are used to visualize many kinds of data and this quiz worksheet combo will help to test your understanding of the best kinds of data used in this kind of graph as well

two forces act on an object one force has a magnitude of $30n$ directed - Mar 13 2022

web one force has a magnitude of $30n$ directed west and the other force has a magnitude of $12n$ directed east what is the net force on questions llc the net force on the object is $18n$ which means it is $18n$ directed west therefore the correct answer is $18n$ west answered by step by step bot answer id 3333150 created

types of forces the physics classroom - Aug 30 2023

web a force is a push or pull acting upon an object as a result of its interaction with another object there are a variety of

types of forces previously in this lesson a variety of force types were placed into two broad category headings on the basis of whether the force resulted from the contact or non contact of the two interacting objects

forces directed answers fltest fl experiences - Dec 30 2020

web may 23 2023 download ebooks forces directed answers pdf forces directed answers many people are trying to be smarter every day how s about you there are many ways to evoke this case you can download and read forces in fluids directed a answer key forces in fluids directed a answer key in this age of modern era the

introduction to forces forces and movement ks3 physics - Dec 10 2021

web a force is a push or a pull that acts on an object due to the interaction with another object force is measured in newtons n forces are divided into contact forces and non contact

solved three forces act on the bracket determine the - Sep 18 2022

web jul 18 2021 question answered step by step three forces act on the bracket determine the magnitude and direction θ θ of f_1 f_1 so that the resultant force is directed along the positive x x axis and has a magnitude of 800 800 n n video answer solved by verified expert jonah h numerade educator like view text answer video by jonah han

educative answers trusted answers to developer questions - May 15 2022

web a force directed graph is a type of graph which represents nodes and edges using physical simulation so that the connected nodes are closer to each other while the nodes that are not directly connected are pulled apart an example directed force graph where the circles represent the nodes and the lines represent the edges physical analogy