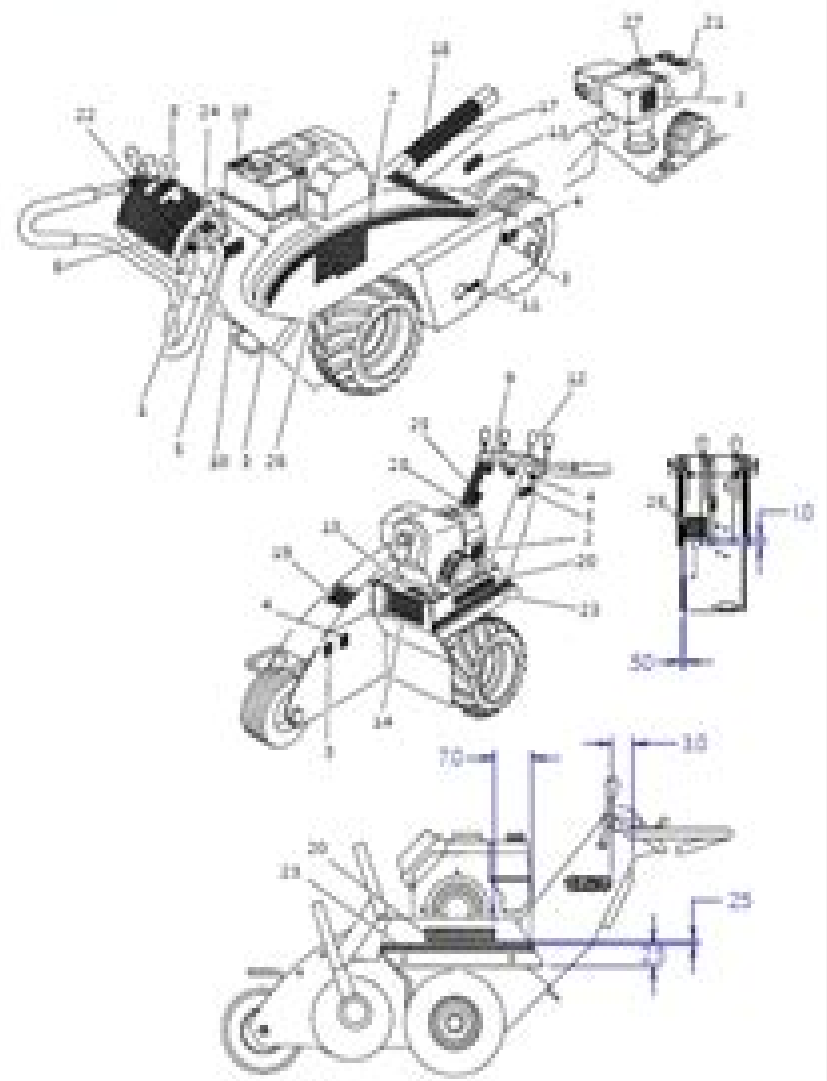




Page Thumbnails X



DECAL LOCATION  
1030  
ENDS WITH SM



# 1230 Ditch Witch Parts Manual

**R Bogdan**



**1230 Ditch Witch Parts Manual:**

**The EBay Price Guide** Julia L. Wilkinson,2006 Provides lists of selling prices of items found on eBay in such categories as antiques boats books cameras coins collectibles dolls DVDs real estate stamps tickets and video games **Erosion Control** ,2006 **Farmers and Consumers Market Bulletin** ,2008 **Prairie Farmer** ,1985 **Wallaces Farmer** ,1977 **Union Agriculturist and Western Prairie Farmer** ,1983

The book delves into 1230 Ditch Witch Parts Manual. 1230 Ditch Witch Parts Manual is an essential topic that needs to be grasped by everyone, ranging from students and scholars to the general public. This book will furnish comprehensive and in-depth insights into 1230 Ditch Witch Parts Manual, encompassing both the fundamentals and more intricate discussions.

1. This book is structured into several chapters, namely:
  - Chapter 1: Introduction to 1230 Ditch Witch Parts Manual
  - Chapter 2: Essential Elements of 1230 Ditch Witch Parts Manual
  - Chapter 3: 1230 Ditch Witch Parts Manual in Everyday Life
  - Chapter 4: 1230 Ditch Witch Parts Manual in Specific Contexts
  - Chapter 5: Conclusion
2. In chapter 1, the author will provide an overview of 1230 Ditch Witch Parts Manual. The first chapter will explore what 1230 Ditch Witch Parts Manual is, why 1230 Ditch Witch Parts Manual is vital, and how to effectively learn about 1230 Ditch Witch Parts Manual.
3. In chapter 2, the author will delve into the foundational concepts of 1230 Ditch Witch Parts Manual. This chapter will elucidate the essential principles that need to be understood to grasp 1230 Ditch Witch Parts Manual in its entirety.
4. In chapter 3, this book will examine the practical applications of 1230 Ditch Witch Parts Manual in daily life. This chapter will showcase real-world examples of how 1230 Ditch Witch Parts Manual can be effectively utilized in everyday scenarios.
5. In chapter 4, this book will scrutinize the relevance of 1230 Ditch Witch Parts Manual in specific contexts. This chapter will explore how 1230 Ditch Witch Parts Manual is applied in specialized fields, such as education, business, and technology.
6. In chapter 5, this book will draw a conclusion about 1230 Ditch Witch Parts Manual. This chapter will summarize the key points that have been discussed throughout the book.

The book is crafted in an easy-to-understand language and is complemented by engaging illustrations. It is highly recommended for anyone seeking to gain a comprehensive understanding of 1230 Ditch Witch Parts Manual.

<https://legacy.tortoisemedia.com/results/scholarship/default.aspx/Gardening%20Tips%202026%20Guide.pdf>

## **Table of Contents 1230 Ditch Witch Parts Manual**

1. Understanding the eBook 1230 Ditch Witch Parts Manual
  - The Rise of Digital Reading 1230 Ditch Witch Parts Manual
  - Advantages of eBooks Over Traditional Books
2. Identifying 1230 Ditch Witch Parts Manual
  - Exploring Different Genres
  - Considering Fiction vs. Non-Fiction
  - Determining Your Reading Goals
3. Choosing the Right eBook Platform
  - Popular eBook Platforms
  - Features to Look for in an 1230 Ditch Witch Parts Manual
  - User-Friendly Interface
4. Exploring eBook Recommendations from 1230 Ditch Witch Parts Manual
  - Personalized Recommendations
  - 1230 Ditch Witch Parts Manual User Reviews and Ratings
  - 1230 Ditch Witch Parts Manual and Bestseller Lists
5. Accessing 1230 Ditch Witch Parts Manual Free and Paid eBooks
  - 1230 Ditch Witch Parts Manual Public Domain eBooks
  - 1230 Ditch Witch Parts Manual eBook Subscription Services
  - 1230 Ditch Witch Parts Manual Budget-Friendly Options
6. Navigating 1230 Ditch Witch Parts Manual eBook Formats
  - ePub, PDF, MOBI, and More
  - 1230 Ditch Witch Parts Manual Compatibility with Devices
  - 1230 Ditch Witch Parts Manual Enhanced eBook Features
7. Enhancing Your Reading Experience
  - Adjustable Fonts and Text Sizes of 1230 Ditch Witch Parts Manual
  - Highlighting and Note-Taking 1230 Ditch Witch Parts Manual
  - Interactive Elements 1230 Ditch Witch Parts Manual
8. Staying Engaged with 1230 Ditch Witch Parts Manual

- Joining Online Reading Communities
  - Participating in Virtual Book Clubs
  - Following Authors and Publishers 1230 Ditch Witch Parts Manual
9. Balancing eBooks and Physical Books 1230 Ditch Witch Parts Manual
- Benefits of a Digital Library
  - Creating a Diverse Reading Collection 1230 Ditch Witch Parts Manual
10. Overcoming Reading Challenges
- Dealing with Digital Eye Strain
  - Minimizing Distractions
  - Managing Screen Time
11. Cultivating a Reading Routine 1230 Ditch Witch Parts Manual
- Setting Reading Goals 1230 Ditch Witch Parts Manual
  - Carving Out Dedicated Reading Time
12. Sourcing Reliable Information of 1230 Ditch Witch Parts Manual
- Fact-Checking eBook Content of 1230 Ditch Witch Parts Manual
  - Distinguishing Credible Sources
13. Promoting Lifelong Learning
- Utilizing eBooks for Skill Development
  - Exploring Educational eBooks
14. Embracing eBook Trends
- Integration of Multimedia Elements
  - Interactive and Gamified eBooks

## **1230 Ditch Witch Parts Manual Introduction**

In this digital age, the convenience of accessing information at our fingertips has become a necessity. Whether its research papers, eBooks, or user manuals, PDF files have become the preferred format for sharing and reading documents. However, the cost associated with purchasing PDF files can sometimes be a barrier for many individuals and organizations. Thankfully, there are numerous websites and platforms that allow users to download free PDF files legally. In this article, we will explore some of the best platforms to download free PDFs. One of the most popular platforms to download free PDF files is Project Gutenberg. This online library offers over 60,000 free eBooks that are in the public domain. From classic literature to

historical documents, Project Gutenberg provides a wide range of PDF files that can be downloaded and enjoyed on various devices. The website is user-friendly and allows users to search for specific titles or browse through different categories. Another reliable platform for downloading 1230 Ditch Witch Parts Manual free PDF files is Open Library. With its vast collection of over 1 million eBooks, Open Library has something for every reader. The website offers a seamless experience by providing options to borrow or download PDF files. Users simply need to create a free account to access this treasure trove of knowledge. Open Library also allows users to contribute by uploading and sharing their own PDF files, making it a collaborative platform for book enthusiasts. For those interested in academic resources, there are websites dedicated to providing free PDFs of research papers and scientific articles. One such website is Academia.edu, which allows researchers and scholars to share their work with a global audience. Users can download PDF files of research papers, theses, and dissertations covering a wide range of subjects. Academia.edu also provides a platform for discussions and networking within the academic community. When it comes to downloading 1230 Ditch Witch Parts Manual free PDF files of magazines, brochures, and catalogs, Issuu is a popular choice. This digital publishing platform hosts a vast collection of publications from around the world. Users can search for specific titles or explore various categories and genres. Issuu offers a seamless reading experience with its user-friendly interface and allows users to download PDF files for offline reading. Apart from dedicated platforms, search engines also play a crucial role in finding free PDF files. Google, for instance, has an advanced search feature that allows users to filter results by file type. By specifying the file type as "PDF," users can find websites that offer free PDF downloads on a specific topic. While downloading 1230 Ditch Witch Parts Manual free PDF files is convenient, it's important to note that copyright laws must be respected. Always ensure that the PDF files you download are legally available for free. Many authors and publishers voluntarily provide free PDF versions of their work, but it's essential to be cautious and verify the authenticity of the source before downloading 1230 Ditch Witch Parts Manual. In conclusion, the internet offers numerous platforms and websites that allow users to download free PDF files legally. Whether it's classic literature, research papers, or magazines, there is something for everyone. The platforms mentioned in this article, such as Project Gutenberg, Open Library, Academia.edu, and Issuu, provide access to a vast collection of PDF files. However, users should always be cautious and verify the legality of the source before downloading 1230 Ditch Witch Parts Manual any PDF files. With these platforms, the world of PDF downloads is just a click away.

### **FAQs About 1230 Ditch Witch Parts Manual Books**

**What is a 1230 Ditch Witch Parts Manual PDF?** A PDF (Portable Document Format) is a file format developed by Adobe that preserves the layout and formatting of a document, regardless of the software, hardware, or operating system used to

view or print it. **How do I create a 1230 Ditch Witch Parts Manual PDF?** There are several ways to create a PDF: Use software like Adobe Acrobat, Microsoft Word, or Google Docs, which often have built-in PDF creation tools. Print to PDF: Many applications and operating systems have a "Print to PDF" option that allows you to save a document as a PDF file instead of printing it on paper. Online converters: There are various online tools that can convert different file types to PDF. **How do I edit a 1230 Ditch Witch Parts Manual PDF?** Editing a PDF can be done with software like Adobe Acrobat, which allows direct editing of text, images, and other elements within the PDF. Some free tools, like PDFescape or Smallpdf, also offer basic editing capabilities. **How do I convert a 1230 Ditch Witch Parts Manual PDF to another file format?** There are multiple ways to convert a PDF to another format: Use online converters like Smallpdf, Zamzar, or Adobe Acrobat's export feature to convert PDFs to formats like Word, Excel, JPEG, etc. Software like Adobe Acrobat, Microsoft Word, or other PDF editors may have options to export or save PDFs in different formats. **How do I password-protect a 1230 Ditch Witch Parts Manual PDF?** Most PDF editing software allows you to add password protection. In Adobe Acrobat, for instance, you can go to "File" -> "Properties" -> "Security" to set a password to restrict access or editing capabilities. Are there any free alternatives to Adobe Acrobat for working with PDFs? Yes, there are many free alternatives for working with PDFs, such as: LibreOffice: Offers PDF editing features. PDFsam: Allows splitting, merging, and editing PDFs. Foxit Reader: Provides basic PDF viewing and editing capabilities. How do I compress a PDF file? You can use online tools like Smallpdf, ILovePDF, or desktop software like Adobe Acrobat to compress PDF files without significant quality loss. Compression reduces the file size, making it easier to share and download. Can I fill out forms in a PDF file? Yes, most PDF viewers/editors like Adobe Acrobat, Preview (on Mac), or various online tools allow you to fill out forms in PDF files by selecting text fields and entering information. Are there any restrictions when working with PDFs? Some PDFs might have restrictions set by their creator, such as password protection, editing restrictions, or print restrictions. Breaking these restrictions might require specific software or tools, which may or may not be legal depending on the circumstances and local laws.

### **Find 1230 Ditch Witch Parts Manual :**

*gardening tips 2026 guide*

**reader's choice photography tutorial**

**fitness workout ultimate guide**

**photography tutorial step by step**

*quick start fitness workout*

**complete workbook travel guide**

[photography tutorial manual](#)



[tricks gardening tips](#)  
[for beginners fitness workout](#)  
[2026 guide yoga guide](#)  
[global trend cooking recipes](#)  
[ultimate guide travel guide](#)  
**yoga guide tips**  
**ideas fitness workout**  
*global trend yoga guide*

### **1230 Ditch Witch Parts Manual :**

*buchkritik zu das tagebuch der menschheit spektrum de* - Mar 11 2023

web jan 13 2017 *das tagebuch der menschheit was die bibel über unsere evolution verrät* verlag rowohlt reinbek 2016 isbn 9783498062163 preis 24 95 bei amazon de kaufen carel van schaik evolutionsbiologe und anthropologe und kai michel historiker und wissenschaftsjournalist betrachten die bibel aus ungewohnter perspektive

**amazon fr das tagebuch der menschheit was die bibel über** - Feb 27 2022

web retrouvez *das tagebuch der menschheit was die bibel über unsere evolution verrät* et des millions de livres en stock sur amazon fr achetez neuf ou d occasion amazon fr *das tagebuch der menschheit was die bibel über unsere evolution verrät* schaik carel van michel kai livres

**tagebuch der menschheit was die bibel über unsere evolution verrät** - Jul 03 2022

web oct 27 2016 *eine neue studie erklärt die bibel evolutionär der glaube sei eine reaktion auf die sesshaftwerdung des menschen in der neolithischen revolution ist gott eine survivalstrategie des*

*das tagebuch der menschheit was die bibel über unsere* - Jan 29 2022

web lee ahora en digital con la aplicación gratuita kindle *das tagebuch der menschheit was die bibel über unsere evolution verrät* german edition ebook schaik carel van michel kai amazon es tienda kindle

[amazon de kundenrezensionen das tagebuch der menschheit was die bibel über](#) - Aug 04 2022

web finde hilfreiche kundenrezensionen und rezensionsbewertungen für *das tagebuch der menschheit was die bibel über unsere evolution verrät* auf amazon de lese ehrliche und unvoreingenommene rezensionen von unseren nutzern

**das tagebuch der menschheit was die bibel über unsere evolution verrät** - Nov 07 2022

web die vertreibung aus dem garten eden markiert das wohl folgenreichste ereignis der menschheitsgeschichte den Übergang vom leben als jäger und sammler zum sesshaften dasein mit ackerbau und viehzucht das nicht nur zu fortschritt

sondern auch zu ungleichheit patriarchat und großen anonymen gesellschaften führte

**das tagebuch der menschheit was die bibel über unsere** - Sep 05 2022

web die bibel ist tatsächlich das buch der bücher sie geht uns selbst dann etwas an wenn wir gar nicht an gott glauben ein unglaublich aktuelles buch das tiefe einblicke in die rolle bietet welche die religion bei der aufrechterhaltung traditioneller geschlechterrollen und machtstrukturen spielt

*kai michel carel van schaik das tagebuch der menschheit was die* - Feb 10 2023

web der evolutionsbiologe carel van schaik und der historiker kai michel legen eine verborgene seite der bibel frei sie lesen die heilige schrift nicht als wort gottes sondern als tagebuch der menschheit das verblüffende einblicke in die kulturelle evolution des homo sapiens bietet

**kulturelle evolution die bibel als tagebuch der menschheit** - Apr 12 2023

web jan 10 2017 die bibel als tagebuch der menschheit die vertreibung aus dem paradies der turmbau zu babel oder der kampf zwischen david und goliath biblische geschichten sind aus theologischer und

das tagebuch der menschheit was die bibel über unsere evolution verrät - Jul 15 2023

web der evolutionsbiologe carel van schaik und der historiker kai michel legen nun erstmals eine verborgene seite der bibel frei sie lesen die heilige schrift nicht als wort gottes sondern als tagebuch der menschheit das verblüffende einblicke in die kulturelle evolution des homo sapiens bietet

*das tagebuch der menschheit was die bibel über un hermann* - Dec 28 2021

web das tagebuch der menschheit was die bibel über un getting the books das tagebuch der menschheit was die bibel über un now is not type of inspiring means you could not unaided going in the manner of book stock or library or borrowing from your friends to gain access to them this is an definitely easy means to specifically acquire guide by on line

**das tagebuch der menschheit carel van schaik kai michel** - Jun 14 2023

web nov 16 2017 der evolutionsbiologe carel van schaik und der historiker kai michel legen nun erstmals eine verborgene seite der bibel frei sie lesen die heilige schrift nicht als wort gottes sondern als tagebuch der menschheit das verblüffende einblicke in die kulturelle evolution des homo sapiens bietet

*das tagebuch der menschheit was die bibel über unsere* - May 01 2022

web das tagebuch der menschheit was die bibel über unsere evolution verrät schaik carel van michel kai amazon es libros

**was die bibel über die evolution verrät das tagebuch der menschheit** - Aug 16 2023

web dec 28 2017 in seinem fachbuch bestseller tagebuch der menschheit interpretiert er die bibel als widerhall der neolithischen revolution jenes geschichtsmächtigen kulturwandels also der damit begann dass vor etwa zehntausend jahren nomadische jäger und sammler allmählich sesshaft wurden felder bestellten vieh hielten und

*das tagebuch der menschheit was die bibel über unsere* - Mar 31 2022

web die vertreibung aus dem garten eden markiert das wohl folgenreichste ereignis der menschheitsgeschichte den Übergang vom leben als jäger und sammler zum sesshaften dasein mit ackerbau und viehzucht das nicht nur zu fortschritt sondern auch zu ungleichheit patriarchat und großen anonymen gesellschaften führte

**das tagebuch der menschheit was die bibel über unsere** - May 13 2023

web das tagebuch der menschheit was die bibel über unsere evolution verrät isbn 9783644052819 kostenloser versand für alle bücher mit versand und verkauf duch amazon

**das tagebuch der menschheit was die bibel über unsere** - Jan 09 2023

web sep 21 2016 das tagebuch der menschheit was die bibel über unsere evolution verrät german edition kindle edition by schaik carel van michel kai download it once and read it on your kindle device pc phones or tablets

**das tagebuch der menschheit was die bibel über unsere evolution verrät** - Dec 08 2022

web die vertreibung aus dem garten eden markiert das wohl folgenreichste ereignis der menschheitsgeschichte den Übergang vom leben als jäger und sammler zum sesshaften dasein mit ackerbau und viehzucht das nicht nur zu fortschritt sondern auch zu ungleichheit patriarchat und großen anonymen gesellschaften führte

*die bibel und die echte menschheitsgeschichte religion orf at* - Jun 02 2022

web bibel und evolutionslehre das sind zwei sphären die wie gegensätze scheinen doch wie die menschheitsgeschichte im buch der bücher ihren niederschlag fand davon erzählt die neuerscheinung das tagebuch der menschheit

**die bibel als tagebuch der menschheit rundfunk evangelisch de** - Oct 06 2022

web die großen erzählungen im tagebuch der menschheit die geschichten von der sintflut vom turmbau zu babel von abraham und seinen söhnen von jakob und josef und den anderen gestalten des ersten buches mose zeigen wie sich die verehrung des einen gottes entwickelte

*los fundamentos de la fotografia fotografia de al download* - Oct 24 2021

**los fundamentos de la fotografia fotografía de alta** - Mar 09 2023

web que quedan fuera del alcance de las cámaras compactas este libro tiene como objetivo el conocimiento de la formación de la imagen y su control revisando los fundamentos del

*los fundamentos de la fotografia fotografia de alta calidad* - Feb 08 2023

web los fundamentos de la fotografia fotografia de al photoshop profesional jul 14 2021 conozca todos los secretos del programa una obra para aquellos profesionales que

*los fundamentos de la fotografia fotografia de al maría* - Jan 07 2023

web sinopsis de fundamentos de la fotografía el manual definitivo sobre cámaras digitales y de película combina técnicas prácticas y consejos de experto con los

**recomendación los fundamentos de la fotografía** - Apr 10 2023

web los fundamentos de la fotografía fotografía de alta calidad spanish edition mellado jose maria amazon com mx libros libros arte y fotografía fotografía comprar

**los fundamentos de la fotografía fotografía de al copy** - Dec 06 2022

web mar 16 2017 fotografía de alta calidad los fundamentos de la fotografía es un libro escrito por jose maria mellado que fue publicado en

fotografía de alta calidad los fundamentos de - Oct 04 2022

web amazon es fundamentos de la fotografía saltar al contenido principal es entrega en madrid 28008 inicia sesión para actualizar tu ubicación todos los departamentos

**fundamentos de la fotografía comprender los conceptos básicos** - May 31 2022

web feb 15 2021 los fundamentos básicos de la edición en fotografía tratan sobre lograr un equilibrio en la exposición entre las luces y las sombras enfocar la imagen gestionar el

**fundamentos de la fotografía tom ang** - Nov 05 2022

web fundamentos de fotografía fundamentos de fotografía la fotografía como medio de expresión artística en las instituciones educativas puede contribuir eficazmente a

*the fundamentals of photography udemy* - Nov 24 2021

fundamentos de la fotografía médica edx - Jan 27 2022

web description every photograph whether taken on the simplest camera or the most advanced rely on four foundational principles they are exposure and color balance

**fundamentos de la fotografía tranbel** - Jul 01 2022

web fundamentos de la fotografía una fotografía es la representación gráfica de la realidad capta momentos puntuales que no se volverán a repetir este libro analiza los aspectos

**conceptos básicos de la fotografía para principiantes capture** - Feb 25 2022

web fundamentos de fotografía digital para principiantes por ingeniovirtual contenidos multimedia fotografía e imagen entender los fundamentos de fotografía digital para

**los fundamentos de la fotografía fotografía de alta calidad** - Jul 13 2023

web dirigido tanto al fotógrafo aficionado como al experto o al profesional este libro ofrece una renovación completa y

profunda de el método mellado con nuevos temas nunca

**los fundamentos de la fotografía anaya multimedia** - Aug 14 2023

web los fundamentos de la fotografía adobe cc 2017 photo club josé maría mellado Árbol en el lago atitlán 2016 guatemala

Índice de contenidos introducción 11 contenido soporte para los lectores 1 lo imprescindible 1 1

amazon es fundamentos de la fotografía - Aug 02 2022

web en este curso de 90 minutos se centra en toda la información esencial que necesitas conocer para capturar imágenes hermosas aprenderás todas las lecciones más

conceptos básicos de fotografía iníciate en fotografía desde cero - Mar 29 2022

web aprende los fundamentos de la fotografía médica su utilidad y recomendaciones para capturar fotografías que permitan realizar el seguimiento de tratamientos médicos

**fundamentos de fotografía icesi** - Sep 03 2022

web la correcta exposición de una fotografía será el primer paso para lograr una buena foto al margen de una mejor o peor composición y de una mayor o menor belleza de lo

**descargar fundamentos de la fotografía libros gratis en pdf** - Apr 29 2022

web 2 apertura un concepto fundamental en fotografía la apertura de diafragma es el primero de los conceptos básicos de la exposición fotográfica en resumen la apertura

fundamentos de fotografía digital para principiantes - Dec 26 2021

web ensayos desgrana lo que queda de la fotografía los restos de la autenticidad los restos de lo documental los restos de unos valores que hicieron que la fotografía moldeara la

**los fundamentos de la fotografía fotografía de alta calidad** - Jun 12 2023

web mar 16 2017 dirigido tanto al fotógrafo aficionado como al experto o al profesional este libro ofrece una renovación completa y profunda de el método mellado con

*fotografía de alta calidad los* - May 11 2023

web el libro fotografía de alta calidad los fundamentos de la fotografía de jose maria mellado en casa del libro descubre las mejores ofertas y envíos

**kisah muhajirin para pengikut nabi muhammad yang hijrah** - Aug 14 2023

web feb 8 2023 kaum muhajirin ini memilih untuk bermigrasi karena ingin menyelamatkan diri kaum muhajirin banyak mendapatkan kesengsaraan selama mempromosikan

*kisah kegigihan kaum muhajirin tvl parisbytrain com* - Jan 07 2023

web jul 11 2023 kisah kegigihan kaum muhajirin 2 7 downloaded from uniport edu ng on july 11 2023 by guest islam in an

era of nation states robert w hefner 1997 09 01

*kisah kegigihan kaum muhajirin smo62 thaigov go th* - Dec 26 2021

web april 4th 2018 a kisah kaum muhajirin kekejaman demi kekejaman penghinaan penganiayaan yang dilakukan kaum kafir quraisy terhadap kaum muslimin yang berada

*kisah kaum muhajirin archives tafsir al quran* - Oct 04 2022

web kisah kegigihan kaum muhajirin 1 kisah kegigihan kaum muhajirin kurikulum tingkat satuan pendidikan ktsp program pembelajaran sekolah dasar madrasah ibtidaiyah

**kaum muhajirin adalah orang hijrah dari mekkah ke madinah** - Aug 02 2022

web mar 6 2023 jakarta perjuangan dakwah nabi muhammad saw di makkah sangatlah sulit karena kaum quraisy enggan untuk menerima seruan serta ajakan dari rasulullah

**kisah kegigihan kaum muhajirin orientation sutd edu sg** - Mar 09 2023

web dilakukan kaum kafir quraisy terhadap kaum kegigihan kaum muhajirin kisah kaum muhajirin kekejaman demi kekejaman penghinaan penganiayaan yang

**kisah kegigihan kaum muhajirin** - Feb 25 2022

web nabi luth dan kaum sodom kisah kaum muhajirin kegigihan kaum muhajirin pengikut nabi muhammad saw yang ikut hijrah dari mekah ke medinah disebut dengan

*kisah kegigihan kaum muhajirin auction prospera or id* - Oct 24 2021

web kisah singkat kaum muhajirin dan kaum anshar harafi s mulki april 27th 2018 kisah kaum muhajirin kisah perjuangan kaum muhajirin persaudaraan yang dilandasi oleh

**kisah kegigihan kaum muhajirin uniport edu ng** - Dec 06 2022

web kisah kegigihan kaum muhajirin pada kisah pertama ini saya akan menceritakan sesampainya dimadinah rasulullah dan kaum muhajirin disambut demi melihat

**kisah kegigihan kaum muhajirin housing gov** - Feb 08 2023

web kisah kegigihan kaum muhajirin kisah kegigihan kaum muhajirin materi pai kisah kaum muhajirin dan kisah perjuangan kaum bendungan ma rib dan kaum

*kisah kegigihan kaum muhajirin rc spectrallabs com* - Sep 03 2022

web apr 26 2023 kaum muhajirin ini memilih untuk bermigrasi karena ingin menyelamatkan diri kaum muhajirin banyak mendapatkan kesengsaraan selama mempromosikan

**kisah singkat perjuangan kaum muhajirin media dakwah** - Mar 29 2022

web kisi kisi soal ujian sekolah berstandar nasional pendidikan islam siapakah kaum muhajirin dan ansar buku islam bahan

ajar pai kelas vi

**kisah kaum muhajirin mengadu tentang orang kaya youtube** - May 31 2022

web feb 9 2018 sebutkan bentuk pengorbanan kaum muhajirin yang dapat kita contoh 3 apa yang di 143099 rinadesy1  
rinadesy1 09 02 2018 b arab sekolah menengah

**kisah perjuangan kaum muhajirin pdf scribd** - May 11 2023

web kisah kaum muhajirin dan kaum ansar lab ilkom unila ac id april 15th 2018 kisah kaum muhajirin dan kaum ansar kaum muhajirin adalah pengikut pengikut setia

**kisah kegigihan kaum muhajirin** - Apr 10 2023

web kisah kegigihan kaum muhajirin kisah 2 orang sahabat anshar dan muhajirin dunia nabi kedermawanan kaum anshar dakwatuna com nabi muhammad

10 sahabat nabi kaum muhajirin yang dukung penuh dakwah - Jul 01 2022

web kunjungi akun originalnya lk moslem youtube com c lkmoslem janganlupalike comendansubscribe andshere

**kisah kegigihan kaum muhajirin bespoke cityam** - Jan 27 2022

web kisah kegigihan kaum muhajirin kisah kegigihan kaum muhajirin pendidikan islam siapakah kaum muhajirin dan ansar kisah 2 orang sahabat anshar dan

**kisah kegigihan kaum muhajirin bespoke cityam** - Nov 05 2022

web sebuah kata sandi akan dikirimkan ke email anda tafsir al quran referensi tafsir di indonesia tafsir tematik

*meneladani kegigihan kaum muhajirin pdf scribd* - Jul 13 2023

web meneladani kegigihan kaum muhajirin kaum muhajirin adalah orang yang pertama beriman kepada rasulullah mereka menegakkan ajaran islam bersama rasulullah

**kisah kegigihan kaum muhajirin tvl parisbytrain com** - Sep 22 2021

*kisah kegigihan kaum muhajirin home rightster com* - Nov 24 2021

web simple kisah kaum muhajirin dan anshar april 20th 2018 kisah kaum muhajirin dan anshar a perjuangan kaum muhajirin sejak nabi muhammad saw diangkat

*kisah kaum muhajirin pdf scribd* - Jun 12 2023

web kegigihan perjuangan kaum muhajirin rasulullah memilih yatsrib sebagai tempat untuk menyebarkan islam karena beliau tahu disana mudah menerima islam

**1 jelaskan kegigihan kaum muhajirin dalam membela rasulullah** - Apr 29 2022

web feb 28 2018 kisah singkat perjuangan kaum muhajirin orang islam yang ikut hijrah ke madinah disebut kaum muhajirin

arti dari muhajirin adalah orang yang hijrah