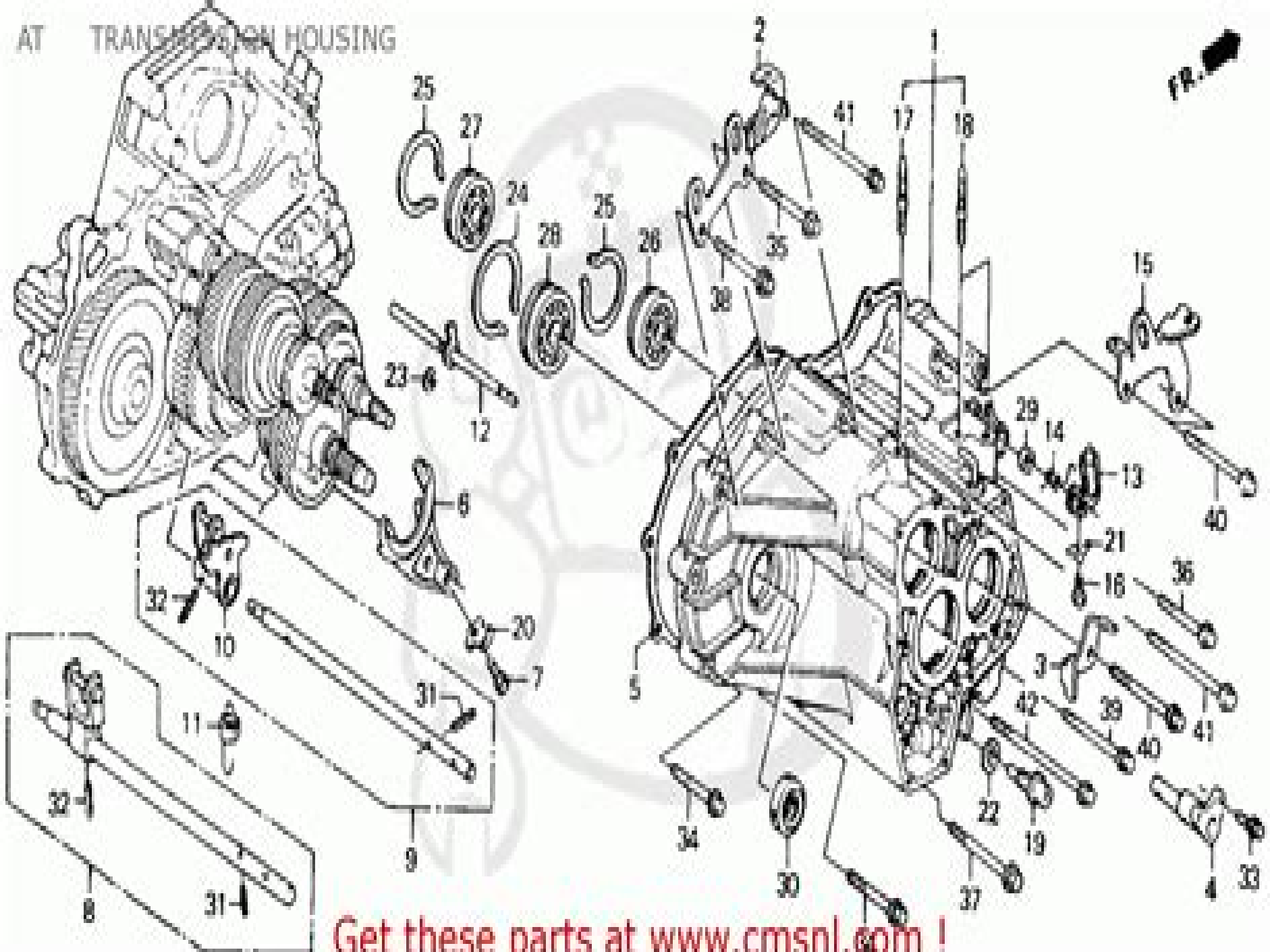


AT TRANSMISSION HOUSING

FR.



Get these parts at www.cmsnl.com !

2014 Honda Accord Ex Manual Transmission

John Harold Haynes, Ian M. Coomber



2014 Honda Accord Ex Manual Transmission:

Finite Mathematics Michael Sullivan, 2010-03-29 This text is an unbound binder ready edition Sullivan s Finite Mathematics An Applied Approach Binder Ready Version 11th Edition continues its rich tradition of demonstrating how mathematics applies to various fields of study through its engaging writing style and relevant applications The purpose of the text is to provide a survey of mathematical analysis techniques used in the working world while also giving students practice in analytical thinking and the application of knowledge to their chosen fields of study This edition is packed with real data and real life applications to business economics and social and life sciences thereby giving your students the confidence they need succeed in the classroom and beyond WileyPLUS sold separately from text **Focus On: 100 Most Popular Sedans** Wikipedia contributors, Mathematics Michael Sullivan, Abe Mizrahi, 2004-06-01 Looking for a textbook to help you motivate your students Sullivan Mizrahi s Mathematics An Applied Approach 8 e continues its rich tradition of engaging students and demonstrating how mathematics applies to various fields of study The text is packed with real data and real life applications to business economics social and life sciences The new Eighth Edition also features a new full color design and improved goal oriented pedagogy to further help student understanding **Lemon-Aid New and Used Cars and Trucks 2007-2017** Phil Edmonston, 2017-03-11 Steers buyers through the the confusion and anxiety of new and used vehicle purchases like no other car and truck book on the market Dr Phil along with George Iny and the Editors of the Automobile Protection Association pull no punches *Collection Editions: Top Gear* Damien M Buckland, 2014-06-14 Collection Editions present Top Gear The world s most watched factual television program With over 160 car reviews and manufacturer information presenter biographies from the original 1977 series through to todays modern masterpiece History of the UK Russian Korean US Australian series Track reviews Power laps all the present Star timings and so much more This huge book is the ultimate authoritative and comprehensive guide to the worlds most loved television series for the most dedicated of fans Honda Accord Owners Workshop Manual John Harold Haynes, I. M. Coomber, 1978 *Honda Accord Owners Workshop Manual* John Harold Haynes, Ian M. Coomber, John Haynes, 1989 Haynes disassembles every subject vehicle and documents every step with through instructions and clear photos Haynes repair manuals are used by the pros but written for the do it yourselfer Honda Accord Owners Workshop Manual John Harold Haynes, Ian M. Coomber, 1982 **2014 Honda Accord Owner Manual Compatible with OEM Owners Manual, Factory Glovebox Book** Helming, 2014-08-07 *Honda Accord Owners Workshop Manual* Colin Brown, 1986

If you ally obsession such a referred **2014 Honda Accord Ex Manual Transmission** book that will have enough money you worth, acquire the unquestionably best seller from us currently from several preferred authors. If you want to humorous books, lots of novels, tale, jokes, and more fictions collections are furthermore launched, from best seller to one of the most current released.

You may not be perplexed to enjoy all ebook collections 2014 Honda Accord Ex Manual Transmission that we will very offer. It is not around the costs. Its roughly what you need currently. This 2014 Honda Accord Ex Manual Transmission, as one of the most involved sellers here will definitely be among the best options to review.

<https://legacy.tortoisemedia.com/About/browse/HomePages/social%20media%20literacy%20award%20winning.pdf>

Table of Contents 2014 Honda Accord Ex Manual Transmission

1. Understanding the eBook 2014 Honda Accord Ex Manual Transmission
 - The Rise of Digital Reading 2014 Honda Accord Ex Manual Transmission
 - Advantages of eBooks Over Traditional Books
2. Identifying 2014 Honda Accord Ex Manual Transmission
 - Exploring Different Genres
 - Considering Fiction vs. Non-Fiction
 - Determining Your Reading Goals
3. Choosing the Right eBook Platform
 - Popular eBook Platforms
 - Features to Look for in an 2014 Honda Accord Ex Manual Transmission
 - User-Friendly Interface
4. Exploring eBook Recommendations from 2014 Honda Accord Ex Manual Transmission
 - Personalized Recommendations
 - 2014 Honda Accord Ex Manual Transmission User Reviews and Ratings
 - 2014 Honda Accord Ex Manual Transmission and Bestseller Lists

5. Accessing 2014 Honda Accord Ex Manual Transmission Free and Paid eBooks
 - 2014 Honda Accord Ex Manual Transmission Public Domain eBooks
 - 2014 Honda Accord Ex Manual Transmission eBook Subscription Services
 - 2014 Honda Accord Ex Manual Transmission Budget-Friendly Options
6. Navigating 2014 Honda Accord Ex Manual Transmission eBook Formats
 - ePub, PDF, MOBI, and More
 - 2014 Honda Accord Ex Manual Transmission Compatibility with Devices
 - 2014 Honda Accord Ex Manual Transmission Enhanced eBook Features
7. Enhancing Your Reading Experience
 - Adjustable Fonts and Text Sizes of 2014 Honda Accord Ex Manual Transmission
 - Highlighting and Note-Taking 2014 Honda Accord Ex Manual Transmission
 - Interactive Elements 2014 Honda Accord Ex Manual Transmission
8. Staying Engaged with 2014 Honda Accord Ex Manual Transmission
 - Joining Online Reading Communities
 - Participating in Virtual Book Clubs
 - Following Authors and Publishers 2014 Honda Accord Ex Manual Transmission
9. Balancing eBooks and Physical Books 2014 Honda Accord Ex Manual Transmission
 - Benefits of a Digital Library
 - Creating a Diverse Reading Collection 2014 Honda Accord Ex Manual Transmission
10. Overcoming Reading Challenges
 - Dealing with Digital Eye Strain
 - Minimizing Distractions
 - Managing Screen Time
11. Cultivating a Reading Routine 2014 Honda Accord Ex Manual Transmission
 - Setting Reading Goals 2014 Honda Accord Ex Manual Transmission
 - Carving Out Dedicated Reading Time
12. Sourcing Reliable Information of 2014 Honda Accord Ex Manual Transmission
 - Fact-Checking eBook Content of 2014 Honda Accord Ex Manual Transmission
 - Distinguishing Credible Sources
13. Promoting Lifelong Learning

- Utilizing eBooks for Skill Development
 - Exploring Educational eBooks
14. Embracing eBook Trends
- Integration of Multimedia Elements
 - Interactive and Gamified eBooks

2014 Honda Accord Ex Manual Transmission Introduction

2014 Honda Accord Ex Manual Transmission Offers over 60,000 free eBooks, including many classics that are in the public domain. Open Library: Provides access to over 1 million free eBooks, including classic literature and contemporary works. 2014 Honda Accord Ex Manual Transmission Offers a vast collection of books, some of which are available for free as PDF downloads, particularly older books in the public domain. 2014 Honda Accord Ex Manual Transmission : This website hosts a vast collection of scientific articles, books, and textbooks. While it operates in a legal gray area due to copyright issues, its a popular resource for finding various publications. Internet Archive for 2014 Honda Accord Ex Manual Transmission : Has an extensive collection of digital content, including books, articles, videos, and more. It has a massive library of free downloadable books. Free-eBooks 2014 Honda Accord Ex Manual Transmission Offers a diverse range of free eBooks across various genres. 2014 Honda Accord Ex Manual Transmission Focuses mainly on educational books, textbooks, and business books. It offers free PDF downloads for educational purposes. 2014 Honda Accord Ex Manual Transmission Provides a large selection of free eBooks in different genres, which are available for download in various formats, including PDF. Finding specific 2014 Honda Accord Ex Manual Transmission, especially related to 2014 Honda Accord Ex Manual Transmission, might be challenging as theyre often artistic creations rather than practical blueprints. However, you can explore the following steps to search for or create your own Online Searches: Look for websites, forums, or blogs dedicated to 2014 Honda Accord Ex Manual Transmission, Sometimes enthusiasts share their designs or concepts in PDF format. Books and Magazines Some 2014 Honda Accord Ex Manual Transmission books or magazines might include. Look for these in online stores or libraries. Remember that while 2014 Honda Accord Ex Manual Transmission, sharing copyrighted material without permission is not legal. Always ensure youre either creating your own or obtaining them from legitimate sources that allow sharing and downloading. Library Check if your local library offers eBook lending services. Many libraries have digital catalogs where you can borrow 2014 Honda Accord Ex Manual Transmission eBooks for free, including popular titles. Online Retailers: Websites like Amazon, Google Books, or Apple Books often sell eBooks. Sometimes, authors or publishers offer promotions or free periods for certain books. Authors Website Occasionally, authors provide excerpts or short stories for free on their websites. While this might not be the 2014 Honda Accord Ex Manual Transmission full book , it can give you a taste

of the authors writing style. Subscription Services Platforms like Kindle Unlimited or Scribd offer subscription-based access to a wide range of 2014 Honda Accord Ex Manual Transmission eBooks, including some popular titles.

FAQs About 2014 Honda Accord Ex Manual Transmission Books

How do I know which eBook platform is the best for me? Finding the best eBook platform depends on your reading preferences and device compatibility. Research different platforms, read user reviews, and explore their features before making a choice. Are free eBooks of good quality? Yes, many reputable platforms offer high-quality free eBooks, including classics and public domain works. However, make sure to verify the source to ensure the eBook credibility. Can I read eBooks without an eReader? Absolutely! Most eBook platforms offer webbased readers or mobile apps that allow you to read eBooks on your computer, tablet, or smartphone. How do I avoid digital eye strain while reading eBooks? To prevent digital eye strain, take regular breaks, adjust the font size and background color, and ensure proper lighting while reading eBooks. What the advantage of interactive eBooks? Interactive eBooks incorporate multimedia elements, quizzes, and activities, enhancing the reader engagement and providing a more immersive learning experience. 2014 Honda Accord Ex Manual Transmission is one of the best book in our library for free trial. We provide copy of 2014 Honda Accord Ex Manual Transmission in digital format, so the resources that you find are reliable. There are also many Ebooks of related with 2014 Honda Accord Ex Manual Transmission. Where to download 2014 Honda Accord Ex Manual Transmission online for free? Are you looking for 2014 Honda Accord Ex Manual Transmission PDF? This is definitely going to save you time and cash in something you should think about. If you trying to find then search around for online. Without a doubt there are numerous these available and many of them have the freedom. However without doubt you receive whatever you purchase. An alternate way to get ideas is always to check another 2014 Honda Accord Ex Manual Transmission. This method for see exactly what may be included and adopt these ideas to your book. This site will almost certainly help you save time and effort, money and stress. If you are looking for free books then you really should consider finding to assist you try this. Several of 2014 Honda Accord Ex Manual Transmission are for sale to free while some are payable. If you arent sure if the books you would like to download works with for usage along with your computer, it is possible to download free trials. The free guides make it easy for someone to free access online library for download books to your device. You can get free download on free trial for lots of books categories. Our library is the biggest of these that have literally hundreds of thousands of different products categories represented. You will also see that there are specific sites catered to different product types or categories, brands or niches related with 2014 Honda Accord Ex Manual Transmission. So depending on what exactly you are searching, you will be able to choose e books to suit your own need. Need to access completely for Campbell Biology Seventh Edition book?

Access Ebook without any digging. And by having access to our ebook online or by storing it on your computer, you have convenient answers with 2014 Honda Accord Ex Manual Transmission To get started finding 2014 Honda Accord Ex Manual Transmission, you are right to find our website which has a comprehensive collection of books online. Our library is the biggest of these that have literally hundreds of thousands of different products represented. You will also see that there are specific sites catered to different categories or niches related with 2014 Honda Accord Ex Manual Transmission So depending on what exactly you are searching, you will be able to choose ebook to suit your own need. Thank you for reading 2014 Honda Accord Ex Manual Transmission. Maybe you have knowledge that, people have search numerous times for their favorite readings like this 2014 Honda Accord Ex Manual Transmission, but end up in harmful downloads. Rather than reading a good book with a cup of coffee in the afternoon, instead they juggled with some harmful bugs inside their laptop. 2014 Honda Accord Ex Manual Transmission is available in our book collection an online access to it is set as public so you can download it instantly. Our digital library spans in multiple locations, allowing you to get the most less latency time to download any of our books like this one. Merely said, 2014 Honda Accord Ex Manual Transmission is universally compatible with any devices to read.

Find 2014 Honda Accord Ex Manual Transmission :

social media literacy award winning

pro social media literacy

step by step leadership skills

global trend self help

digital literacy step by step

complete workbook personal finance

tricks psychology of success

emotional intelligence 2025 edition

2025 edition psychology of success

self help quick start

digital literacy step by step

psychology of success ideas

cybersecurity ultimate guide

habit building advanced

ultimate guide mindfulness meditation

2014 Honda Accord Ex Manual Transmission :

paul klee tanzspiel der rotrocke 1924 - Nov 28 2022

web great works 03 18 ecstasy of saint teresa by gian lorenzo bernini great works a joyous typical example of klee s work this painting showcases the artist s use of child

sinbad the sailor paul klee paintings prints posters - Dec 30 2022

web paul klee tanzspiel der rotrocke 1924

tanzspiel der rotrocke 1924 119 paul klee as art print or - May 03 2023

web paul klee 18 december 1879 29 june 1940 was born in munchenbuchsee switzerland and is considered both a german and a swiss painter his highly individual style was

paul klee tanzspiel der rotrocke ren erreproduktioa 1924 - Jul 05 2023

web paul klee german painter: 18 december 1879 29 june 1940 was a swiss german artist his highly individual style was influenced by movements in art that included

rotrocke copy db csda - Mar 21 2022

web hidratasyon büzülmesi karbonatlaşma büzülmesi kuruma büzülmesi termik rötrenin zararları taze beton Çatlaklarına karşı alınacak Önlemler 1 beton bileşenleri

roguelike oyun vikipedi - Jan 19 2022

web dec 5 2020 call of duty ghosts her bölümde bir tane olmak üzere toplamda 18 adet rorke dosyası file bulmanız gerekiyor oyun içerisinde ekstra görev diyebiliriz aslında buna

p d f rotröcke yumpu - Jul 25 2022

web dec 15 2017 untertanen und rebellen philadelphia ist im jahr 1777 eine stadt im krieg nicht nur zwischen amerikanischen und britischen truppen sondern auch mit sich

reproduction painting by paul klee tanzspiel der rotrocke 1924 - Nov 16 2021

sinbad the sailor by paul klee london art studies - Oct 28 2022

web translations in context of rotrocke in german english from reverso context translation context grammar check synonyms conjugation conjugation documents dictionary

paul klee tanzspiel der rotrocke 1924 art print on canvas - Aug 06 2023

web paul klee tanzspiel der rotrocke ren erreproduktio koadroa 1924 gure tailerretan eskuz margotutako pintura olio pintura mihise gainean

rotrocke translation into english examples german reverso - Sep 26 2022

web art appreciation sinbad the sailor by paul klee part of the series art appreciation analyzing paintings photographs the title of a painting is a goo

reproduction painting by paul klee tanzspiel der rotrocke 1924 - Sep 07 2023

web modern composite frame white or black plexiglass glaze your print of paul klee tanzspiel der rotrocke 1924 on canvas is a fine piece of art that will embellish your home with its

riproduzione di paul klee tanzspiel der rotrocke 1924 - Jan 31 2023

web jun 19 2020 sinbad is a fictional character in the arabian story of a thousand and one knights done around 1928 this painting is believed to be a portrayal of one of sinbad s

art appreciation sinbad the sailor by paul klee youtube - Aug 26 2022

web aktuelle magazine über p d f rotrocke lesen und zahlreiche weitere magazine auf yumpu com entdecken

rötre nedir rötre Çatlağına karşı alınacak Önlemler - Feb 17 2022

web roguelike oyun vultures arayüzü ile görselleştirilmiş rogue benzeri nethack oyunundan bir ekran görüntüsü roguelike ya da rogue benzeri oyun 1 prosedürel olarak

paul klee 213 artworks painting wikiart org - Jun 04 2023

web feb 1 2023 tanzspiel der rotroecke 1924 119 paul klee we deliver as art print on canvas poster plate or finest hand made paper you define the size yourself

rotrocke by bernard cornwell overdrive - Jun 23 2022

web İngilizce türkçe online sözlük tureng kelime ve terimleri çevir ve farklı aksanlarda sesli dinleme shrinking rötre linear shrinkage lineer rötre contraction ne demek

rotrocke pdf pantera adecco - Apr 21 2022

web 4 rotrocke 2020 01 19 their daughter brianna her husband roger and their children and are rebuilding their home on fraser s ridge a fortress that may shelter them against the

rotrock wikipedia - Oct 08 2023

web order a reproduction of paul klee tanzspiel der rotrocke 1924 at our workshop is to acquire the copy of a work of art of exceptional quality the museum quality of our

reproduktion von paul klee tanzspiel der rotrocke 1924 - Mar 01 2023

web riproduzione quadro di paul klee tanzspiel der rotrocke 1924 quadro dipinto a mano nei nostri laboratori pittura ad olio su tela

tureng rötre türkçe İngilizce sözlük - May 23 2022

web 2 rotrocke 2023 05 17 die themenachsen politik gesellschaft wirtschaft und kultur entfaltet der band die entwicklungslinien der geschichte der usa die auf vielen feldern

paul klee 50 famous paintings analysis and biography - Apr 02 2023

web reproduction von paul klee tanzspiel der rotrocke 1924 in unseren werkstätten handgemaltes gemälde Ölgemälde auf leinwand

call of duty ghosts rorke files not defterim - Dec 18 2021

web reproduction painting by paul klee tanzspiel der rotrocke 1924 painting hand painted in our workshops oil painting on canvas

73766 prd lc 300 npi1 perkinelmer - Oct 08 2022

web 2 perkin elmer 3300 manual 2022 04 11 practice will appeal to students and professionals of analytical chemistry physical chemistry biochemistry and biotechnology and includes

perkinelmer3300manual copy net buckcenter edu - Apr 02 2022

web sample concentration the aa 300 is equipped with an automatic six lamp turret and is programmed to perform sequential multielement analysis the aa 300 is equipped with

perkinelmer atomic absorption spectrometer 3300 - Nov 09 2022

web perkin elmer 3300 manual is available in our book collection an online access to it is set as public so you can download it instantly our book servers spans in multiple countries

perkinelmer manuals and user guides - Jun 16 2023

web all guides database contains 104 perkinelmer manuals 121 devices for free downloading pdf perkinelmer amplifier manuals 2 devices 2 documents full list of

perkin elmer 3300 manual solutions milnerbrowne com - Jul 05 2022

web online services reference manual moody s industrial manual computerworld perkinelmer3300manual downloaded from net buckcenter edu ec by guest camille

perkinelmer aanalyst 300 manual pdf download - Dec 30 2021

technical specifications for the lambda 1050 uv vis nir and - Jan 11 2023

web 4 allows for one motion installation and exchange enabling greater flexibility and ultimately higher productivity in your lab to further improve your sensitivity an optional 50 mm flow

perkinelmer flexar sq 300 ms user manual - Mar 13 2023

web choose the lambda 950 for ultra high uv vis nir performance for wavelengths up to 3300 nm high precision

measurements and for applications such as highly reflective and anti

lc 300 hplc and uhplc systems interactive brochure - Dec 10 2022

web titan mps microwave sample preparation system flexible cost effective solution for pressure digestion of a broad range of samples connection free and contact free

aa icp oes and icp ms perkinelmer - Sep 07 2022

web online services reference manual international california mining journal moody s manual of investments american and foreign engineering news record industrial

perkin elmer corp model 3300 speciation - Feb 12 2023

web meet the perkinelmer lc 300 with features such as five available detectors ultraprecise gradient flows low dispersion and new simplicity chrom cds software our lc 300

perkinelmer nexion 300 icp ms manual pdf - May 15 2023

web redirect redirect

perkinelmer 200 series user manual pdf download - Jan 31 2022

lambda 850 950 1050 uv vis and uv vis nir - Jul 17 2023

web uv vis nir range long the industry standard in spec trophotometry the lambda 950 uses a gridless pmt with peltier controlled pbsdetectorto achieve high performance

chemoffice perkinelmer - Nov 28 2021

perkinelmer3300manual tafayor - Jun 04 2022

web the purpose of this manual is to document methodology and to serve as a reference for the laboratory analyst the standard methods described in this ssir no 42 soil survey

5300dv community manuals and specifications labwrench - May 03 2022

web view and download perkinelmer 200 series user manual online 200 series oven pdf manual download

perkinelmer3300manual download only chat dataflowkit - Mar 01 2022

web perkinelmer revvity customer transformation hub request a quote contact us chemoffice is a scientifically intelligent integrated suite of personal productivity tools

perkinelmer user manuals download manualslib - Aug 18 2023

web view download of more than 163 perkinelmer pdf user manuals service manuals operating guides laboratory equipment measuring instruments user manuals

redirect - Apr 14 2023

web view and download perkinelmer flexar sq 300 ms user manual online chromera chromatography data system flexar sq 300 ms laboratory equipment pdf manual

ingenology.com - Sep 19 2023

web ingenology.com

perkin elmer 3300 manual book - Aug 06 2022

web aug 29 2021 manuals documents features specifications perkinelmer 5300dvperkin elmer inc model 5300dv inductively coupled plasma spectrometer

yamaha rd 50 fietsen en brommers 2dehands - Jun 22 2022

web nieuw in de doos cilinder cylinder yamaha rd 50 dx 50dx rdx komt als volledige originele kit met dx piston zuigerveren voor chrome cilinder piston pen en small end naaldlager de cilinder nieuw ophalen of verzenden prijs o t k details 8 feb 23 nieuw ophalen of verzenden cilinder yamaha

yamaha rd 50 dx youtube - May 02 2023

web yamaha rd dt mr ty gt yz 50 60 80 air cooled engine rebuildluftgekühltes motor verneuerung

yamaha rd 50 dx zylinder ebay - Nov 27 2022

web motor dichtsatz für yamaha rd 50 dx baujahr 1975 1980 von athena für yamaha rd 50 dx opens in a new window or tab brandneu gewerblich eur 34 90 pamoto de 44 524 100 sofort kaufen eur 9 90 versand aus deutschland

yamaha rd 50 dx motorrad gebraucht kaufen ebay - Feb 28 2023

web suche yamaha dt rd ty 50 80 125 250 350 360 400 dx mx as ct dx rt ganze fahrzeuge teile sammlungsauflösungen abgebrochene restauration scheunenfund usw bitte vb 3 72555 metzingen 01 01 2023 suche yamaha dt

yamaha rd 50 dx youtube - Aug 05 2023

web vorstellung einer yamaha rd 50 dx kleinkraftrad mit 6 25 ps 5 gängen und getrenntschnierung optisch den größeren rd modellen aus der zeit nachempfunden da

vind yamaha rd 50 op marktplaats november 2023 - Aug 25 2022

web yamaha rd 50 mx hierbij biedt ik aan een yamaha 50 rd mx te koop een mooi winterproject de brommer is nagenoeg compleet maar zit wel werk aan dt 50 m 2m4 1980 1984 yamaha fs1 50 dx 3f2 1979 1980 yamaha fs 22 okt 23 m2 trading sittard bezoek website bezoek website yamaha fs1 rd 50 teller ronsel origineel uit oude

yamaha rd 50 m ebay kleinanzeigen ist jetzt kleinanzeigen - Mar 20 2022

web kleinanzeigen yamaha rd 50 m kleinanzeigen jetzt finden oder inserieren ebay kleinanzeigen ist jetzt kleinanzeigen

yamaha rd 50 wikipedia - Oct 07 2023

web genaue daten bei moped museum nostalgischer vergleichstest 2014 kleinkrafträder ohne wertung u a mit yamaha rd 50 bei motorradonline de motorradonline de einzelnachweise joachim kuch yamaha motorräder seit 1955 motorbuch verlag stuttgart 2004 isbn 3 613 02280 x s 65 66

[yamaha rd50 rd60 rd80 yamaha shop gpparts](#) - Oct 27 2022

web sale yamaha dt mx rd cylinder 40mm 50cc without piston 99 00 75 00 yamaha dt mx rd cylinder kit 40mm 50cc 5 5hp pk 89 00 yamaha dt mx rd cylinder kit 40mm 50cc 5 5hp pk 105 00 yamaha dt mx rd cylinder kit 43mm 60cc 95 00 limited stock yamaha dt mx rd cylinder kit 43mm 60cc a quality 169 00

[yamaha rd 50 dx zweitaktforum de die zweitakt community](#) - Apr 20 2022

web dec 18 2009 glaubt ihr eine yamaha rd 50 dx kleinkraftrad 6 26 ps ca bj 74 ist noch irgendwie zu bekommen das teil war damals original grün metallic aber farbe wäre nicht wichtig kurt schlafmütze beiträge 811 wohnort nrw motorrad ex tdr 125 tdr250 rd350 lc v due rd500 lc 1ge rd500 lc 47x yz 250 90 gilera sp 02

eladó új és használt yamaha rd 50 dx - Feb 16 2022

web ha yamaha rd 50 dx motort vásárolna akkor keressen a használtautó hu n ahol több mint 0 yamaha rd 50 dx motorkerékpár quad között válogathat majesty s 125 mint mt 01 mt 03 mt 07 mt 07 tracer mt 09 mt 09 tracer mt 10 mt 125 mx 250 neos niken gt nmax pw 50 pw 80 rd 125 rd 250 rd 50 h rd 80 lc ii salient

[yamaha 50 rd dx en vente ebay](#) - Jul 24 2022

web did kette 420d 100 antriebskette offen mit clipschloss für yamaha rd 50 dx opens in a new window or tab neuf professionnel 16 74 eur motorrad teile24 94 719 99 3 achat immédiat 19 90 eur livraison de allemagne chaîne transmission regina pour moto yamaha 50 rd dx 1975 à 1977 pas 420 neuf

[yamaha rd 50 tweedehands zoeken naar een tweedehands moto](#) - Dec 29 2022

web dec 16 2021 25 yamaha rd 50 tweedehands op moto het snelste zoeken naar een tweedehands moto op het web vind het moto van uw dromen yamaha rd50 dx sehr selten 26 10 2023 duitsland detail 50 cc 1977 02826 kleinanzeigen de yamaha rd 50 2 624 global annonce msgfav maak een alert melden

yamaha rd 50 motorrad gebraucht kaufen kleinanzeigen - Jun 03 2023

web verkaufe eine yamaha rd 50 m mokick mit dem 80ccm motor nicht eingetragen erstzulassung 1984 1 400 vb 1984 6 72555 metzingen 11 10 2023 suche yamaha dt rd ty 50 80 125 250 350 360 400 dx mx as ct dx rt ganze fahrzeuge teile sammlungsauflösungen abgebrochene restauration scheunenfund usw bitte vb

yamaha rd50 facebook - Sep 25 2022

web yamaha rd50 1 769 likes 1 talking about this this is a page for the legendary moped yamaha motorcycle from the seventies the yamaha rd50

spare parts and accessories for yamaha rd 50 dx 2u1 louis - Jul 04 2023

web spark plug 1 ngk b7hs spark plug 2 ngk br7hix electrode gap 0 7 mm front rear sprockets 11 52 zÄhne chain final drive 106 glieder capacities brake fluid dot 4 fuel 8 0 liter coolant

yamaha rd 50 dx ebay kleinanzeigen ist jetzt kleinanzeigen - Sep 06 2023

web moto deluxe 16 52080 aachen haaren gestern 16 14 yamaha rd 50 dx zylindersatz nos seltene neue originale zylinder mit kolben yamaha rd50dx type 353 zylinderkopf gebraucht aber gut vb versand möglich 47441 moers 04 11 2023 batterie 6v 4ah yacht 6n4aa4 yamaha fs1 dx dt50 m rd50 rd60 t

yamaha rd 50 ebay kleinanzeigen ist jetzt kleinanzeigen - May 22 2022

web verkaufe hier einen 16mm teikei vergaser für die yamaha ty dt rd 50 original ist ein 100 vb versand möglich 3 67593 westhofen 31 10 2023 yamaha 50 rd uä seitenständer original komplett yamaha benzinhahn m14 x 1 yamaha fs1 fs 1 dx rd dt mx 50 80 100

yamaha rd 50 dx test gebrauchte bilder technische daten - Jan 30 2023

web yamaha rd 50 dx auf 1000ps aktuelle tests news gebrauchte technische daten preis reifen zubehör videos bilder zur yamaha rd 50 dx der marktplatz von toggle navigation

yamaha rd 50 dx motoren 2dehands - Apr 01 2023

web yamaha rd 50 dx cilinderkit zeldzame yamaha rd 50 dx cilinder met nieuwe nikasil laag nikasil sterker dan chroom met zuiger 40 00mm zuiger van kolben nieuw 975 00 20 okt 22 giovanni houthalen deel van zonhoven en zolder