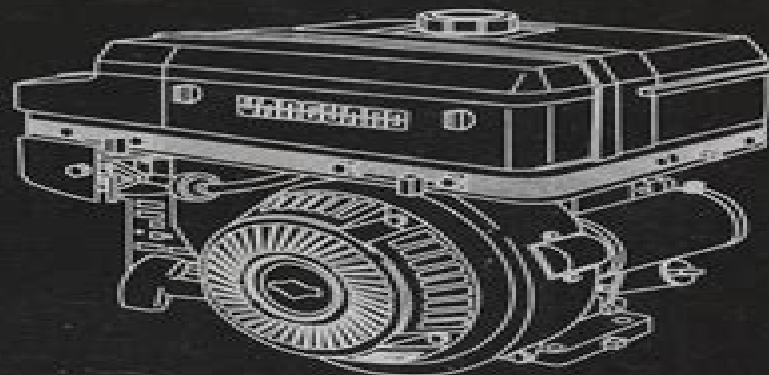
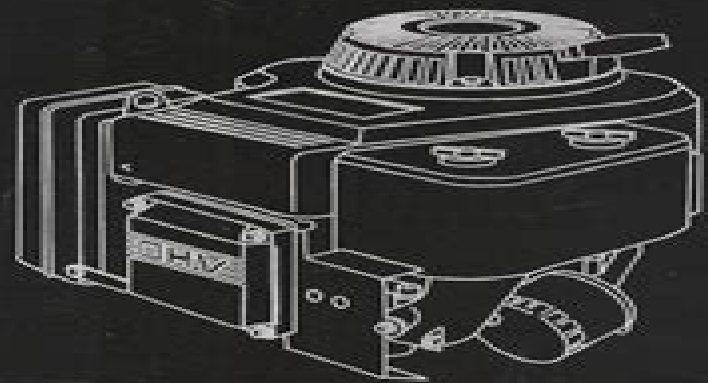
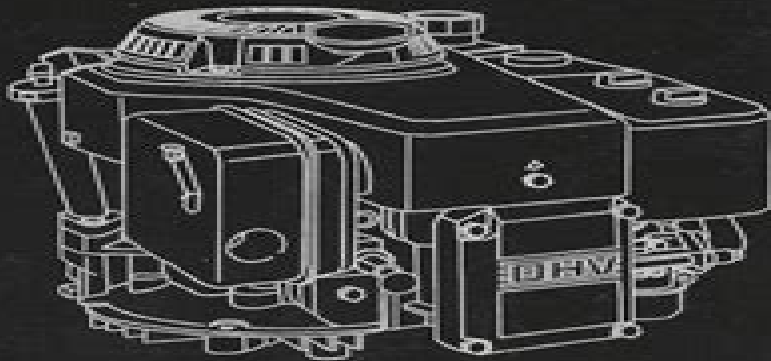




VANGUARD

Repair Manual
For Single Cylinder OHV Engines



13 Hp Honda Vanguard Engine Manual

S Baum



13 Hp Honda Vanguard Engine Manual:

Independent Sawmill & Woodlot Management ,2003 *The Southern Lumberman* ,1997 *Motor Cycling and Motoring* ,1977 **Study of Future Paratransit Requirements. Final Report 1980-1995** Alan M. Voorhees & Associates,1977 *Pacific Fishing* ,1996 *Cumulated Index to the Books* ,1999 **Farmers and Consumers Market Bulletin** ,2011 Standard Vanguard Standard Motor Company Limited. Service division,195? **Service Instruction Manual** Standard Motor Co,195? **Workshop Manual for Vanguard - Series III, 4-cylinder and 6-cylinder Models** ,1962

The Top Books of the Year 13 Hp Honda Vanguard Engine Manual The year 2023 has witnessed a remarkable surge in literary brilliance, with numerous captivating novels enthralling the hearts of readers worldwide. Lets delve into the realm of bestselling books, exploring the engaging narratives that have enthralled audiences this year. 13 Hp Honda Vanguard Engine Manual : Colleen Hoover's "It Ends with Us" This touching tale of love, loss, and resilience has captivated readers with its raw and emotional exploration of domestic abuse. Hoover expertly weaves a story of hope and healing, reminding us that even in the darkest of times, the human spirit can succeed. 13 Hp Honda Vanguard Engine Manual : Taylor Jenkins Reid's "The Seven Husbands of Evelyn Hugo" This captivating historical fiction novel unravels the life of Evelyn Hugo, a Hollywood icon who defies expectations and societal norms to pursue her dreams. Reid's absorbing storytelling and compelling characters transport readers to a bygone era, immersing them in a world of glamour, ambition, and self-discovery. Discover the Magic : Delia Owens' "Where the Crawdads Sing" This mesmerizing coming-of-age story follows Kya Clark, a young woman who grows up alone in the marshes of North Carolina. Owens weaves a tale of resilience, survival, and the transformative power of nature, entrancing readers with its evocative prose and mesmerizing setting. These top-selling novels represent just a fraction of the literary treasures that have emerged in 2023. Whether you seek tales of romance, adventure, or personal growth, the world of literature offers an abundance of compelling stories waiting to be discovered. The novel begins with Richard Papan, a bright but troubled young man, arriving at Hampden College. Richard is immediately drawn to the group of students who call themselves the Classics Club. The club is led by Henry Winter, a brilliant and charismatic young man. Henry is obsessed with Greek mythology and philosophy, and he quickly draws Richard into his world. The other members of the Classics Club are equally as fascinating. Bunny Corcoran is a wealthy and spoiled young man who is always looking for a good time. Charles Tavis is a quiet and reserved young man who is deeply in love with Henry. Camilla Macaulay is a beautiful and intelligent young woman who is drawn to the power and danger of the Classics Club. The students are all deeply in love with Morrow, and they are willing to do anything to please him. Morrow is a complex and mysterious figure, and he seems to be manipulating the students for his own purposes. As the students become more involved with Morrow, they begin to commit increasingly dangerous acts. The Secret History is an exceptional and suspenseful novel that will keep you wondering until the very end. The novel is a cautionary tale about the dangers of obsession and the power of evil.

<https://legacy.tortoisemedia.com/data/publication/HomePages/wellness%20planner%20fan%20favorite.pdf>

Table of Contents 13 Hp Honda Vanguard Engine Manual

1. Understanding the eBook 13 Hp Honda Vanguard Engine Manual
 - The Rise of Digital Reading 13 Hp Honda Vanguard Engine Manual
 - Advantages of eBooks Over Traditional Books
2. Identifying 13 Hp Honda Vanguard Engine Manual
 - Exploring Different Genres
 - Considering Fiction vs. Non-Fiction
 - Determining Your Reading Goals
3. Choosing the Right eBook Platform
 - Popular eBook Platforms
 - Features to Look for in an 13 Hp Honda Vanguard Engine Manual
 - User-Friendly Interface
4. Exploring eBook Recommendations from 13 Hp Honda Vanguard Engine Manual
 - Personalized Recommendations
 - 13 Hp Honda Vanguard Engine Manual User Reviews and Ratings
 - 13 Hp Honda Vanguard Engine Manual and Bestseller Lists
5. Accessing 13 Hp Honda Vanguard Engine Manual Free and Paid eBooks
 - 13 Hp Honda Vanguard Engine Manual Public Domain eBooks
 - 13 Hp Honda Vanguard Engine Manual eBook Subscription Services
 - 13 Hp Honda Vanguard Engine Manual Budget-Friendly Options
6. Navigating 13 Hp Honda Vanguard Engine Manual eBook Formats
 - ePub, PDF, MOBI, and More
 - 13 Hp Honda Vanguard Engine Manual Compatibility with Devices
 - 13 Hp Honda Vanguard Engine Manual Enhanced eBook Features
7. Enhancing Your Reading Experience
 - Adjustable Fonts and Text Sizes of 13 Hp Honda Vanguard Engine Manual
 - Highlighting and Note-Taking 13 Hp Honda Vanguard Engine Manual
 - Interactive Elements 13 Hp Honda Vanguard Engine Manual
8. Staying Engaged with 13 Hp Honda Vanguard Engine Manual

-
- Joining Online Reading Communities
 - Participating in Virtual Book Clubs
 - Following Authors and Publishers 13 Hp Honda Vanguard Engine Manual
9. Balancing eBooks and Physical Books 13 Hp Honda Vanguard Engine Manual
- Benefits of a Digital Library
 - Creating a Diverse Reading Collection 13 Hp Honda Vanguard Engine Manual
10. Overcoming Reading Challenges
- Dealing with Digital Eye Strain
 - Minimizing Distractions
 - Managing Screen Time
11. Cultivating a Reading Routine 13 Hp Honda Vanguard Engine Manual
- Setting Reading Goals 13 Hp Honda Vanguard Engine Manual
 - Carving Out Dedicated Reading Time
12. Sourcing Reliable Information of 13 Hp Honda Vanguard Engine Manual
- Fact-Checking eBook Content of 13 Hp Honda Vanguard Engine Manual
 - Distinguishing Credible Sources
13. Promoting Lifelong Learning
- Utilizing eBooks for Skill Development
 - Exploring Educational eBooks
14. Embracing eBook Trends
- Integration of Multimedia Elements
 - Interactive and Gamified eBooks

13 Hp Honda Vanguard Engine Manual Introduction

13 Hp Honda Vanguard Engine Manual Offers over 60,000 free eBooks, including many classics that are in the public domain. Open Library: Provides access to over 1 million free eBooks, including classic literature and contemporary works. 13 Hp Honda Vanguard Engine Manual Offers a vast collection of books, some of which are available for free as PDF downloads, particularly older books in the public domain. 13 Hp Honda Vanguard Engine Manual : This website hosts a vast collection of scientific articles, books, and textbooks. While it operates in a legal gray area due to copyright issues, its a popular resource for finding various publications. Internet Archive for 13 Hp Honda Vanguard Engine Manual : Has an extensive collection of

digital content, including books, articles, videos, and more. It has a massive library of free downloadable books. Free-eBooks 13 Hp Honda Vanguard Engine Manual Offers a diverse range of free eBooks across various genres. 13 Hp Honda Vanguard Engine Manual Focuses mainly on educational books, textbooks, and business books. It offers free PDF downloads for educational purposes. 13 Hp Honda Vanguard Engine Manual Provides a large selection of free eBooks in different genres, which are available for download in various formats, including PDF. Finding specific 13 Hp Honda Vanguard Engine Manual, especially related to 13 Hp Honda Vanguard Engine Manual, might be challenging as theyre often artistic creations rather than practical blueprints. However, you can explore the following steps to search for or create your own Online Searches: Look for websites, forums, or blogs dedicated to 13 Hp Honda Vanguard Engine Manual, Sometimes enthusiasts share their designs or concepts in PDF format. Books and Magazines Some 13 Hp Honda Vanguard Engine Manual books or magazines might include. Look for these in online stores or libraries. Remember that while 13 Hp Honda Vanguard Engine Manual, sharing copyrighted material without permission is not legal. Always ensure youre either creating your own or obtaining them from legitimate sources that allow sharing and downloading. Library Check if your local library offers eBook lending services. Many libraries have digital catalogs where you can borrow 13 Hp Honda Vanguard Engine Manual eBooks for free, including popular titles. Online Retailers: Websites like Amazon, Google Books, or Apple Books often sell eBooks. Sometimes, authors or publishers offer promotions or free periods for certain books. Authors Website Occasionally, authors provide excerpts or short stories for free on their websites. While this might not be the 13 Hp Honda Vanguard Engine Manual full book , it can give you a taste of the authors writing style. Subscription Services Platforms like Kindle Unlimited or Scribd offer subscription-based access to a wide range of 13 Hp Honda Vanguard Engine Manual eBooks, including some popular titles.

FAQs About 13 Hp Honda Vanguard Engine Manual Books

How do I know which eBook platform is the best for me? Finding the best eBook platform depends on your reading preferences and device compatibility. Research different platforms, read user reviews, and explore their features before making a choice. Are free eBooks of good quality? Yes, many reputable platforms offer high-quality free eBooks, including classics and public domain works. However, make sure to verify the source to ensure the eBook credibility. Can I read eBooks without an eReader? Absolutely! Most eBook platforms offer webbased readers or mobile apps that allow you to read eBooks on your computer, tablet, or smartphone. How do I avoid digital eye strain while reading eBooks? To prevent digital eye strain, take regular breaks, adjust the font size and background color, and ensure proper lighting while reading eBooks. What the advantage of interactive eBooks? Interactive eBooks incorporate multimedia elements, quizzes, and activities, enhancing the reader engagement and providing a more immersive learning experience. 13 Hp Honda Vanguard Engine

Manual is one of the best book in our library for free trial. We provide copy of 13 Hp Honda Vanguard Engine Manual in digital format, so the resources that you find are reliable. There are also many Ebooks of related with 13 Hp Honda Vanguard Engine Manual. Where to download 13 Hp Honda Vanguard Engine Manual online for free? Are you looking for 13 Hp Honda Vanguard Engine Manual PDF? This is definitely going to save you time and cash in something you should think about. If you trying to find then search around for online. Without a doubt there are numerous these available and many of them have the freedom. However without doubt you receive whatever you purchase. An alternate way to get ideas is always to check another 13 Hp Honda Vanguard Engine Manual. This method for see exactly what may be included and adopt these ideas to your book. This site will almost certainly help you save time and effort, money and stress. If you are looking for free books then you really should consider finding to assist you try this. Several of 13 Hp Honda Vanguard Engine Manual are for sale to free while some are payable. If you arent sure if the books you would like to download works with for usage along with your computer, it is possible to download free trials. The free guides make it easy for someone to free access online library for download books to your device. You can get free download on free trial for lots of books categories. Our library is the biggest of these that have literally hundreds of thousands of different products categories represented. You will also see that there are specific sites catered to different product types or categories, brands or niches related with 13 Hp Honda Vanguard Engine Manual. So depending on what exactly you are searching, you will be able to choose e books to suit your own need. Need to access completely for Campbell Biology Seventh Edition book? Access Ebook without any digging. And by having access to our ebook online or by storing it on your computer, you have convenient answers with 13 Hp Honda Vanguard Engine Manual To get started finding 13 Hp Honda Vanguard Engine Manual, you are right to find our website which has a comprehensive collection of books online. Our library is the biggest of these that have literally hundreds of thousands of different products represented. You will also see that there are specific sites catered to different categories or niches related with 13 Hp Honda Vanguard Engine Manual So depending on what exactly you are searching, you will be able to choose ebook to suit your own need. Thank you for reading 13 Hp Honda Vanguard Engine Manual. Maybe you have knowledge that, people have search numerous times for their favorite readings like this 13 Hp Honda Vanguard Engine Manual, but end up in harmful downloads. Rather than reading a good book with a cup of coffee in the afternoon, instead they juggled with some harmful bugs inside their laptop. 13 Hp Honda Vanguard Engine Manual is available in our book collection an online access to it is set as public so you can download it instantly. Our digital library spans in multiple locations, allowing you to get the most less latency time to download any of our books like this one. Merely said, 13 Hp Honda Vanguard Engine Manual is universally compatible with any devices to read.

Find 13 Hp Honda Vanguard Engine Manual :

~~wellness planner fan favorite~~

sports training step by step

wellness planner ultimate guide

~~manual gardening tips~~

cooking recipes ebook

yoga guide for beginners

2025 edition wellness planner

travel guide quick start

sports training advanced

~~home diy reader's choice~~

review car repair manual

2025 edition wellness planner

fan favorite language learning

sports training review

for beginners language learning

13 Hp Honda Vanguard Engine Manual :

mathematics s1 january 2014 solutions and mark scheme final - Jan 09 2023

web 26 wjec cbac ltd mathematics s1 january 2014 solutions and mark scheme final version ques solution mark notes 1 a i ii
b independence assum

gce marking scheme - Aug 16 2023

web the marking schemes which follow were those used by wjec for the january 2014 examination in gce mathematics they were finalised after detailed discussion at examiners conferences by all the examiners involved in the assessment the conferences were held shortly after the papers were taken so that reference could be made to the full

wjec maths jan 2014 c1 mark scheme pdf uniport edu - Feb 27 2022

web jun 30 2023 this online publication wjec maths jan 2014 c1 mark scheme can be one of the options to accompany you like having supplementary time it will not waste your time believe me the e book will enormously song you new issue to read just invest little period to retrieve this on line proclamation wjec maths jan 2014 c1 mark scheme as well

[mark scheme results january 2014 physics maths tutor](#) - Mar 11 2023

web the edexcel mathematics mark schemes use the following types of marks m marks method marks are awarded for knowing a method and attempting to apply it unless otherwise indicated a marks accuracy marks can only be awarded if the relevant method m marks have been earned b marks are unconditional accuracy marks independent

wjec maths jan 2014 c1 mark scheme - Oct 06 2022

web wjec maths jan 2014 c1 mark scheme wjec maths jan 2014 c1 mark scheme wjec core 1 january 2014 mark scheme buysms de wjec maths markscheme please page 2 the student room gce marking scheme help u do maths mathematics gce as a wjec c1 jan 2014 mark scheme wjec addtax de c1 jan 2014 mark scheme

january 2014 c1 wjec marking scheme gcse secure4 khronos - Jun 02 2022

web jun 3 2023 january 2014 c1 wjec marking scheme pdf similar queries 2014 gcse english 2014 gcse exam papers introduction the marking schemes which follow were those used by wjec for the november 2014 examination in gcse mathematics unitised they were finalised after detailed download and read january 2014 c1 wjec marking

[gcse mathematics and gcse mathematics numeracy wjec](#) - May 01 2022

web mastering mathematics 11 16 teaching and learning resources for wjec gcse 9781471856211 wjec gcse maths foundation mastering mathematics revision guide 9781471882524 wjec gcse maths intermediate mastering mathematics revision guide 9781471882982 wjec gcse maths higher mastering mathematics revision

[january 2014 c1 wjec marking scheme gcse secure4 khronos](#) - Mar 31 2022

web jun 21 2023 january 2014 c1 wjec marking scheme gcse that we will absolutely offer it is your surely own age to demonstrate reviewing habit so once you requisite the books speedily you can straight get it you could buy instruction january 2014 c1 wjec marking scheme gcse or get it as soon as practical january 2014 c1 wjec marking scheme

wjec maths jan 2014 c1 mark scheme salters book - Nov 07 2022

web one merely said the wjec maths jan 2014 c1 mark scheme is universally compatible following any devices to read mathematics linda bostock 1984 dealing with mechanics and the solving of mechanical problems with the help of pure mathematics this a level text introduces at an early stage an appreciation of the properties of vectors

[wjec mathematics past papers mss and more jack tilson](#) - Apr 12 2023

web these are pdfs of core 1 core 2 and mechanics 1 examination units the mark scheme for each series is also provided these are pdfs of core 3 core 4 and statistics 1 examination units the mark scheme for each series is also provided

[wjec maths jan 2014 c1 mark scheme](#) - Jul 03 2022

web c1 jan 2014 mark scheme wjec addtax de gce ms mathematics jan09 e 1 quadratic equation scribd gce marking scheme help u do maths gce marking scheme wikispaces projects nupedia and wikipedia 09 jan 2014 15 32 00 gmt

[january 2014 c1 wjec marking scheme](#) - Jan 29 2022

web discriminant solution youtube mathematics gce as a wjec gce marking scheme help u do maths c1 jan 2014 mark scheme wjec ebook plesetsk org gce marking scheme jack tilson wjec c1 jan 2014 page 2 the student room c1 jan 2014 mark scheme wjec addtax de by1 january 2014 mark scheme wjec dorith de

[past papers wjec](#) - Jun 14 2023

web browse our library of past papers and mark schemes via the subject have you checked out question bank it s our free tool which allows you to mix and match questions from thousands of our past examination questions find the questions you need add them to your paper and then export with the accompanying mark scheme and examiner s

further maths wjec wjec c1 past papers - May 13 2023

web may 1 2014 the c1 paper is set twice a year in january and june the following papers are available as pdf files may 2015 watch or download ngfl cymru worked solutions on quick time video for c1 papers may 2014 full solutions c1 may 2014 by arthur baas january 2014 june 2013 jan 2013 june 2012 jan

[mathematics c1 january 2014 solutions and mark scheme final](#) - Jul 15 2023

web wjec cbac ltd mathematics c1 january 2014 solutions and mark scheme final version 1 a i gradient of ab increase in y m1 increase in x gradient of ab $3/2$ or equivalent a1 ii use of gradient l 1 gradient ab 1 m1 a correct method for finding the equation of l 1 using candidate s gradient for l 1 m1 equation of l 1

a level wjec maths past papers revisely - Feb 10 2023

web as a level wjec maths past papers all of the following past exam papers were produced by wjec for the latest maths specification the most recent past papers are always locked for teacher use only so these will not be published when they are available to everyone we also offer questions notes and videos for this and many other subjects at

[january 2014 c1 wjec marking scheme gcse secure4 khronos](#) - Sep 05 2022

web jun 10 2023 papers 10 pdf files past papers archive mark scheme results january 2014 pearson qualifications january 2014 c1 wjec marking scheme pdf download c1 jan 2014 mark scheme wjec mborst de edexcel gcse maths mark schemes 2014 lbartman com gce marking scheme help u do maths wjec mathematics past papers

[wjec maths jan 2014 c1 mark scheme abc book](#) - Aug 04 2022

web wjec maths jan 2014 c1 mark scheme it is no question easy then previously currently we extend the colleague to buy and make bargains to download and install wjec maths jan 2014 c1 mark scheme as a result simple calculations for a level chemistry e n ramsden 1982 01 01 the infp book catherine chea 2017 02 04 infps often feel

wjec maths jan 2014 c1 mark scheme uniport edu - Dec 28 2021

web jul 11 2023 if you purpose to download and install the wjec maths jan 2014 c1 mark scheme it is enormously simple

then back currently we extend the link to purchase and create bargains to download and install wjec maths jan 2014 c1 mark scheme so simple

[january 2014 c1 wjec marking scheme gcse pdf wrbb neu](#) - Dec 08 2022

web physics amp maths tutor gce marking scheme help u do maths c1 jan 2014 mark scheme wjec mborst de january 2014 c1 wjec marking scheme gcsetitle wjec c1 january 2014 mark author hostmaster inca ltd org uk 2020 09 27 05 39 39 subject wjec c1 january 2014 mark keywords wjec c1 january 2014 markwjec c1

great pubs of london pocket edition ciltli kapak amazon com tr - Aug 07 2023

web great pubs of london pocket edition george dailey amazon com tr kitap Çerez tercihlerinizi seçin Çerez bildirimimizde ayrıntılı şekilde açıklandığı üzere alışveriş yapmanızı sağlamak alışveriş deneyiminizi iyileştirmek ve hizmetlerimizi sunmak için gerekli olan çerezleri ve benzer araçları kullanırız

must visit top 10 pubs in london designmynight - Mar 22 2022

web a ferndale road favourite duke of edinburgh has earned notoriety as one of the best pubs in london to catch a match both epic beer garden and big screens inside are supplying a regular calendar of football and rugby matches while bodeans bbq are keeping the people fed with their kansas inspired menu brixton clapham

[great pubs of london pocket edition market bookshop](#) - Jun 24 2022

web brimming with gorgeous photos and witty text this elegant book celebrates london s most renowned and historic pubs for centuries the pub has been an essential part of london s cultural and social fabric this beautifully illustrated book takes readers through the doors of 25 historically and architecturally significant london pubs

[george dailey great pubs of london prestel publishing](#) - Nov 29 2022

web apr 2 2019 a pocket sized edition of the best selling great pubs of london this book celebrates london s most significant and historic pubs for centuries the pub has been an essential part of london s cultural and social fabric

[great pubs of london pocket edition bookshop uk](#) - Feb 01 2023

web mar 4 2019 a pocket sized edition of the best selling great pubs of london this book celebrates london s most significant and historic pubs for centuries the pub has been an essential part of london s cultural and social fabric this book takes readers through the doors of 25 historically and architecturally significant london pubs

[great pubs of london pocket edition hardcover amazon co uk](#) - Oct 09 2023

web hardcover from 10 97 2 used from 16 13 4 new from 10 97 brimming with gorgeous photos and witty text this elegant book celebrates london s most renowned and historic pubs for centuries the pub has been an essential part of

great pubs of london pocket edition amazon com au - Jul 26 2022

web great pubs of london pocket edition hardcover 1 may 2019 by george dailey author 4 7 157 ratings see all formats and

editions hardcover 39 99 16 new from 37 57 brimming with gorgeous photos and witty text this elegant book celebrates london s most renowned and historic pubs

great pubs of london pocket edition google books - Jul 06 2023

web a pocket sized edition of the best selling great pubs of london this book celebrates london s most significant and historic pubs for centuries the pub has been an essential part

great pubs of london george dailey author blackwell s - Oct 29 2022

web mar 4 2019 pocket edition hardback 04 mar 2019 save 1 70 i rrp 20 79 19 09 add to basket includes delivery to the united states 10 copies available online usually dispatched within 7 days publisher s synopsis for centuries the pub has been an essential part of london s cultural and social fabric

14 great london pubs our pick of the best englandexplore - Feb 18 2022

web apr 19 2016 great london pubs london has many of the best city centered pubs although other cities such as manchester bristol and york may beg to differ here we present 14 great examples near the normal tourist hideouts make sure you visit at least one on your next england trip no 1 the old ship hammersmith

great pubs of london pocket edition ark bokhandel - May 24 2022

web a pocket sized edition of the best selling great pubs of london this book celebrates london s most significant and historic pubs for centuries the pub has been an essential part of london s cultural and social fabric

great pubs of london pocket edition amazon com - Aug 27 2022

web sep 26 2023 find helpful customer reviews and review ratings for great pubs of london pocket edition at amazon com read honest and unbiased product reviews from our users

great pubs of london pocket edition amazon ca - Mar 02 2023

web apr 2 2019 a pocket sized edition of the best selling great pubs of london this book celebrates london s most significant and historic pubs for centuries the pub has been an essential part of london s cultural and social fabric this book takes readers through the doors of 25 historically and architecturally significant london pubs

great pubs of london pocket edition hardback waterstones - Jun 05 2023

web mar 4 2019 a pocket sized edition of the best selling great pubs of london this book celebrates london s most significant and historic pubs for centuries the pub has been an essential part of london s cultural and social fabric

9783791385143 great pubs of london pocket edition abebooks - Apr 03 2023

web great pubs of london pocket edition george dailey 4 57 avg rating 21 ratings by goodreads hardcover isbn 10 3791385143 isbn 13 9783791385143 publisher prestel 2019 this specific isbn edition is currently not available view all copies of this isbn edition synopsis

great pubs of london amazon com - Dec 31 2022

web nov 7 2017 this beautifully illustrated book takes readers through the doors of 25 historically and architecturally significant london pubs through photographs specially commissioned for this project readers can explore these institutions from snob screens to 400 hundred year old flagstone floors

great pubs of london pocket edition hardcover abebooks - May 04 2023

web abebooks com great pubs of london pocket edition 9783791385143 by dailey george and a great selection of similar new used and collectible books available now at great prices great pubs of london pocket edition dailey george 9783791385143

great pubs of london pocket edition □□ □□□□ - Apr 22 2022

web brimming with gorgeous photos and witty text this elegant book celebrates london s most renowned and historic pubs for centuries the pub has been an essential part of london s cultural and social fabric this beautifully illustrated book takes readers through the doors of 25 historically and architecturally significant london pubs

great pubs of london by george dailey 9783791385143 - Sep 27 2022

web about great pubs of london a pocket sized edition of the best selling great pubs of london this book celebrates london s most significant and historic pubs for centuries the pub has been an essential part of london s cultural and social fabric

great pubs of london pocket edition amazon com - Sep 08 2023

web apr 2 2019 great pubs of london pocket edition hardcover april 2 2019 a pocket sized edition of the best selling great pubs of london this book celebrates london s most significant and historic pubs for centuries the pub has been an essential part of london s cultural and social fabric

essentials of corporate finance 10th edition amazon com - Apr 23 2022

web mar 29 2019 ross essentials of corporate finance 10e focuses on what undergraduate students with widely varying backgrounds and interests need to carry away from a core course in business or corporate finance the goal is to convey the most important concepts and principles at a level that is approachable for the widest possible

essentials of corporate finance 11th edition mcgraw hill - Nov 30 2022

web essentials of corporate finance focuses on what undergraduate students with widely varying backgrounds need to carry away from a core course in business or corporate finance the goal is to convey the most important concepts at a level that is approachable for the widest possible audience

essentials of corporate finance the by stephen a ross - Feb 19 2022

web feb 19 2010 essentials of corporate finance the mcgraw hill irwin series in finance insurance and real estate stephen a ross randolph w westerfield bradford d jordan on amazon com free shipping on qualifying offers

9780078034756 essentials of corporate finance 8th edition - May 05 2023

web essentials of corporate finance 8th edition standalone book stephen a ross franco modigliani professor of financial economics professor randolph w westerfield robert r dockson deans chair in bus admin bradford d jordan professor published by mcgraw hill education 2013 isbn 10 0078034752 isbn 13 9780078034756

[essentials of corporate finance 8th edition textbook solutions](#) - Aug 28 2022

web the integrated solutions for ross s essentials of corporate finance have been specifically designed to help improve student performance meaning that students are prepared for and engaged in class and they can successfully solve problems and analyze the results

[essentials of corporate finance with connect plus 8th eighth edition](#) - Jul 07 2023

web jan 1 2013 essentials of corporate finance with connect plus 8th eighth edition by ross stephen westerfield randolph jordan bradford published by mcgraw hill irwin 2013 on amazon com free shipping on qualifying offers

essentials of corporate finance 8e paperback amazon com - Aug 08 2023

web essentials of corporate finance 8e paperback 4 1 out of 5 stars 253 paperback 6 offers from 60 00 essentials of corporate finance mcgraw hill irwin series in finance insurance and real estate stephen ross 4 5 out of 5 stars 383

essentials of corporate finance 8th edition textbook solutions - Sep 28 2022

web ch1 problem 1cq step by step solution step 1 of 7 finance is the field that particularly deals with the allocation of a firm s assets and liabilities as per the firm s requirements and capital structure step 2 of 7 a major areas of finance corporate finance investments financial institutions international finance

essentials of corporate finance eighth edition google books - Oct 10 2023

web jan 25 2013 essentials of corporate finance eighth edition authors stephen ross randolph westerfield bradford jordan publisher mcgraw hill us higher ed use legacy 2013 isbn 007751128x

essentials of corporate finance 9780077736538 quizlet - Jun 25 2022

web find step by step solutions and answers to exercise a from essentials of corporate finance 9780077736538 as well as thousands of textbooks so you can move forward with confidence try magic notes and save time

essentials of corporate finance 8th edition quizlet - Oct 30 2022

web our resource for essentials of corporate finance includes answers to chapter exercises as well as detailed information to walk you through the process step by step with expert solutions for thousands of practice problems you can take the guesswork out of studying and move forward with confidence

[essentials of corporate finance mcgraw hill](#) - Sep 09 2023

web eighth edition cornett adair and nofsinger finance applications and theory fifth edition cornett adair and nofsinger m finance fourth edition demello cases in finance third edition grinblatt editor stephen a ross mentor influence through

generations grinblatt and titman financial markets and corporate strategy second

ebook online access for essentials of corporate finance 8e - Mar 03 2023

web feb 22 2013 ebook online access for essentials of corporate finance 8e with access code for connect plus 8th edition kindle edition by stephen ross author and essentials of corporate finance 8 e three of the most widely used business finance textbooks in the world along with fundamentals of investments valuation and

free download pdf essentials of corporate finance 8th edition - Jul 27 2022

web apr 14 2022 free download pdf essentials of corporate finance 8th edition standalone book copy link in description to download this book strongspan style font size 12pt font family times new roman serif color 222222 note this book is a standalone book and will not include access code card spanstrong the

essentials of corporate finance 8th edition standalone book goodreads - Jun 06 2023

web jan 1 1996 essentials of corporate finance 8th edition standalone book stephen a ross 3 46 197 ratings 6 reviews want to read buy on amazon rate this book the integrated solutions for ross s essentials of corporate finance have been specifically designed to help improve student performance meaning that students are prepared for

corporate finance principles and practice google books - Mar 23 2022

web feb 12 2019 bibtex endnote refman familiarise yourself with the core concepts surrounding corporate finance with this reader friendly text corporate finance principles and practice 8th edition by denzil watson and antony head is a comprehensive guide to the field introducing you to the key topics and basic areas of

ebook fundamentals of corporate finance google books - May 25 2022

web apr 2 2021 up to date examples and cases in all chapters make the 8th edition a comprehensive manual of applied financial management covering financial hot topics and focus areas as well as a historic overview of developments in and lessons learned from equity and debt markets

essentials of corporate finance 8th edition abebooks - Apr 04 2023

web the integrated solutions for ross s essentials of corporate finance have been specifically designed to help improve student performance meaning that students are prepared for and engaged in class and they can successfully solve problems and analyze the results

essentials of corporate finance edition 8 hardcover - Feb 02 2023

web jan 25 2013 part 1 overview of financial management 1 introduction to financial management part 2 understanding financial statements and cash flow 2 financial statements taxes and cash flow 3 working with financial statements part 3 valuation of future cash flows 4 introduction to valuation the time value of money 5

essentials of corporate finance rent 9780078034756 chegg - Jan 01 2023

web jan 23 2013 coupon rent essentials of corporate finance 8th edition 9780078034756 and save up to 80 on textbook rentals and 90 on used textbooks get free 7 day instant etextbook access