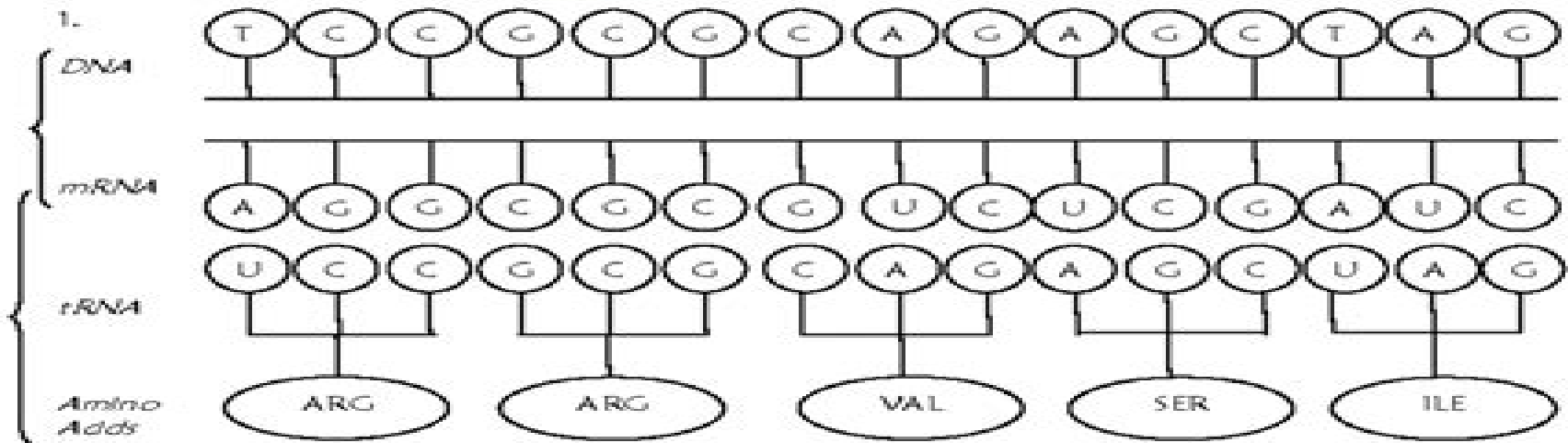


Protein Synthesis Worksheet

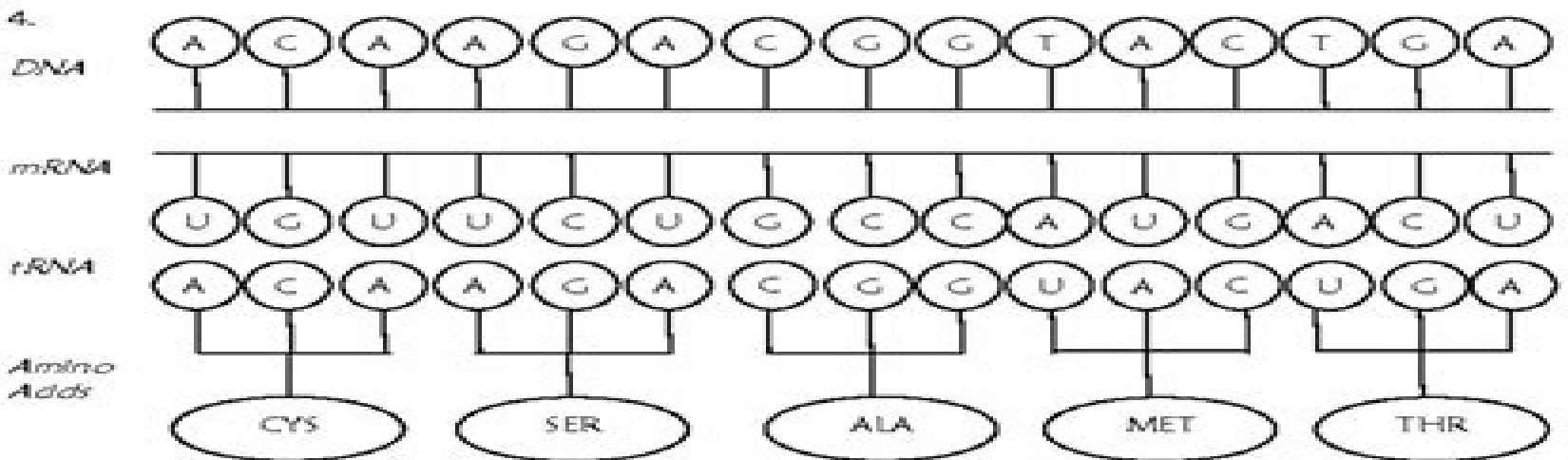
Directions:

1. Use the DNA code to create your mRNA code.
2. Use the mRNA code to create your tRNA code.
3. Use the mRNA code and the Genetic Code to determine your amino acids.
4. Answer any questions by **drding** the correct answer.



2. mRNA is made during (transcription translation).

3. mRNA is made in the (cytoplasm, nucleus).



Answers For Protein Synthesis Study Sheet

Léo Pomar



Answers For Protein Synthesis Study Sheet:

Embark on a breathtaking journey through nature and adventure with Explore with is mesmerizing ebook, Natureis Adventure: **Answers For Protein Synthesis Study Sheet** . This immersive experience, available for download in a PDF format (Download in PDF: *), transports you to the heart of natural marvels and thrilling escapades. Download now and let the adventure begin!

<https://legacy.tortoisemedia.com/public/detail/HomePages/14%20caps%20history%20grade%2012%20paper%20.pdf>

Table of Contents Answers For Protein Synthesis Study Sheet

1. Understanding the eBook Answers For Protein Synthesis Study Sheet
 - The Rise of Digital Reading Answers For Protein Synthesis Study Sheet
 - Advantages of eBooks Over Traditional Books
2. Identifying Answers For Protein Synthesis Study Sheet
 - Exploring Different Genres
 - Considering Fiction vs. Non-Fiction
 - Determining Your Reading Goals
3. Choosing the Right eBook Platform
 - Popular eBook Platforms
 - Features to Look for in an Answers For Protein Synthesis Study Sheet
 - User-Friendly Interface
4. Exploring eBook Recommendations from Answers For Protein Synthesis Study Sheet
 - Personalized Recommendations
 - Answers For Protein Synthesis Study Sheet User Reviews and Ratings
 - Answers For Protein Synthesis Study Sheet and Bestseller Lists
5. Accessing Answers For Protein Synthesis Study Sheet Free and Paid eBooks
 - Answers For Protein Synthesis Study Sheet Public Domain eBooks
 - Answers For Protein Synthesis Study Sheet eBook Subscription Services
 - Answers For Protein Synthesis Study Sheet Budget-Friendly Options

6. Navigating Answers For Protein Synthesis Study Sheet eBook Formats
 - ePub, PDF, MOBI, and More
 - Answers For Protein Synthesis Study Sheet Compatibility with Devices
 - Answers For Protein Synthesis Study Sheet Enhanced eBook Features
7. Enhancing Your Reading Experience
 - Adjustable Fonts and Text Sizes of Answers For Protein Synthesis Study Sheet
 - Highlighting and Note-Taking Answers For Protein Synthesis Study Sheet
 - Interactive Elements Answers For Protein Synthesis Study Sheet
8. Staying Engaged with Answers For Protein Synthesis Study Sheet
 - Joining Online Reading Communities
 - Participating in Virtual Book Clubs
 - Following Authors and Publishers Answers For Protein Synthesis Study Sheet
9. Balancing eBooks and Physical Books Answers For Protein Synthesis Study Sheet
 - Benefits of a Digital Library
 - Creating a Diverse Reading Collection Answers For Protein Synthesis Study Sheet
10. Overcoming Reading Challenges
 - Dealing with Digital Eye Strain
 - Minimizing Distractions
 - Managing Screen Time
11. Cultivating a Reading Routine Answers For Protein Synthesis Study Sheet
 - Setting Reading Goals Answers For Protein Synthesis Study Sheet
 - Carving Out Dedicated Reading Time
12. Sourcing Reliable Information of Answers For Protein Synthesis Study Sheet
 - Fact-Checking eBook Content of Answers For Protein Synthesis Study Sheet
 - Distinguishing Credible Sources
13. Promoting Lifelong Learning
 - Utilizing eBooks for Skill Development
 - Exploring Educational eBooks
14. Embracing eBook Trends
 - Integration of Multimedia Elements

- Interactive and Gamified eBooks

Answers For Protein Synthesis Study Sheet Introduction

Free PDF Books and Manuals for Download: Unlocking Knowledge at Your Fingertips In today's fast-paced digital age, obtaining valuable knowledge has become easier than ever. Thanks to the internet, a vast array of books and manuals are now available for free download in PDF format. Whether you are a student, professional, or simply an avid reader, this treasure trove of downloadable resources offers a wealth of information, conveniently accessible anytime, anywhere. The advent of online libraries and platforms dedicated to sharing knowledge has revolutionized the way we consume information. No longer confined to physical libraries or bookstores, readers can now access an extensive collection of digital books and manuals with just a few clicks. These resources, available in PDF, Microsoft Word, and PowerPoint formats, cater to a wide range of interests, including literature, technology, science, history, and much more. One notable platform where you can explore and download free Answers For Protein Synthesis Study Sheet PDF books and manuals is the internet's largest free library. Hosted online, this catalog compiles a vast assortment of documents, making it a veritable goldmine of knowledge. With its easy-to-use website interface and customizable PDF generator, this platform offers a user-friendly experience, allowing individuals to effortlessly navigate and access the information they seek. The availability of free PDF books and manuals on this platform demonstrates its commitment to democratizing education and empowering individuals with the tools needed to succeed in their chosen fields. It allows anyone, regardless of their background or financial limitations, to expand their horizons and gain insights from experts in various disciplines. One of the most significant advantages of downloading PDF books and manuals lies in their portability. Unlike physical copies, digital books can be stored and carried on a single device, such as a tablet or smartphone, saving valuable space and weight. This convenience makes it possible for readers to have their entire library at their fingertips, whether they are commuting, traveling, or simply enjoying a lazy afternoon at home. Additionally, digital files are easily searchable, enabling readers to locate specific information within seconds. With a few keystrokes, users can search for keywords, topics, or phrases, making research and finding relevant information a breeze. This efficiency saves time and effort, streamlining the learning process and allowing individuals to focus on extracting the information they need. Furthermore, the availability of free PDF books and manuals fosters a culture of continuous learning. By removing financial barriers, more people can access educational resources and pursue lifelong learning, contributing to personal growth and professional development. This democratization of knowledge promotes intellectual curiosity and empowers individuals to become lifelong learners, promoting progress and innovation in various fields. It is worth noting that while accessing free Answers For Protein Synthesis Study Sheet PDF books and manuals is convenient and cost-effective, it is vital to respect copyright laws and intellectual property rights. Platforms offering free

downloads often operate within legal boundaries, ensuring that the materials they provide are either in the public domain or authorized for distribution. By adhering to copyright laws, users can enjoy the benefits of free access to knowledge while supporting the authors and publishers who make these resources available. In conclusion, the availability of Answers For Protein Synthesis Study Sheet free PDF books and manuals for download has revolutionized the way we access and consume knowledge. With just a few clicks, individuals can explore a vast collection of resources across different disciplines, all free of charge. This accessibility empowers individuals to become lifelong learners, contributing to personal growth, professional development, and the advancement of society as a whole. So why not unlock a world of knowledge today? Start exploring the vast sea of free PDF books and manuals waiting to be discovered right at your fingertips.

FAQs About Answers For Protein Synthesis Study Sheet Books

1. Where can I buy Answers For Protein Synthesis Study Sheet books? Bookstores: Physical bookstores like Barnes & Noble, Waterstones, and independent local stores. Online Retailers: Amazon, Book Depository, and various online bookstores offer a wide range of books in physical and digital formats.
2. What are the different book formats available? Hardcover: Sturdy and durable, usually more expensive. Paperback: Cheaper, lighter, and more portable than hardcovers. E-books: Digital books available for e-readers like Kindle or software like Apple Books, Kindle, and Google Play Books.
3. How do I choose a Answers For Protein Synthesis Study Sheet book to read? Genres: Consider the genre you enjoy (fiction, non-fiction, mystery, sci-fi, etc.). Recommendations: Ask friends, join book clubs, or explore online reviews and recommendations. Author: If you like a particular author, you might enjoy more of their work.
4. How do I take care of Answers For Protein Synthesis Study Sheet books? Storage: Keep them away from direct sunlight and in a dry environment. Handling: Avoid folding pages, use bookmarks, and handle them with clean hands. Cleaning: Gently dust the covers and pages occasionally.
5. Can I borrow books without buying them? Public Libraries: Local libraries offer a wide range of books for borrowing. Book Swaps: Community book exchanges or online platforms where people exchange books.
6. How can I track my reading progress or manage my book collection? Book Tracking Apps: Goodreads, LibraryThing, and Book Catalogue are popular apps for tracking your reading progress and managing book collections. Spreadsheets: You can create your own spreadsheet to track books read, ratings, and other details.
7. What are Answers For Protein Synthesis Study Sheet audiobooks, and where can I find them? Audiobooks: Audio

recordings of books, perfect for listening while commuting or multitasking. Platforms: Audible, LibriVox, and Google Play Books offer a wide selection of audiobooks.

8. How do I support authors or the book industry? Buy Books: Purchase books from authors or independent bookstores. Reviews: Leave reviews on platforms like Goodreads or Amazon. Promotion: Share your favorite books on social media or recommend them to friends.
9. Are there book clubs or reading communities I can join? Local Clubs: Check for local book clubs in libraries or community centers. Online Communities: Platforms like Goodreads have virtual book clubs and discussion groups.
10. Can I read Answers For Protein Synthesis Study Sheet books for free? Public Domain Books: Many classic books are available for free as they're in the public domain. Free E-books: Some websites offer free e-books legally, like Project Gutenberg or Open Library.

Find Answers For Protein Synthesis Study Sheet :

2014 caps history grade 12 paper 2

[2013 mechanical technology exemplar gr11](#)

2013 yamaha grizzly 300 service manual

2014 cambridge grade boundaries igcse

[2014 dse chem answer](#)

[2014 bussiness study fanal exam essay grade10](#)

2013 taks test answers

2013 scoring guidelines college board

[2013 paper 2 chemistry grade 12 memo](#)

[2014 business studies memo grade 11 1hour paper](#)

[2014 dbc exemplar](#)

[2014 circuit assembly not](#)

2014 ems final exam memo grade 8

2013 nissan rogue service manual

2013 november geography paper memorandum

Answers For Protein Synthesis Study Sheet :

80 überraschende rezepte auf s brot im handumdreh 2022 - May 12 2023

web 80 überraschende rezepte auf s brot im handumdreh 3 3 accessible dishes to add to their repertoires zeitschrift für agrargeschichte und agrarsoziologie riva verlag an

80 überraschende rezepte auf s brot im handumdrehen - Jan 28 2022

web jun 15 2023 80 überraschende rezepte auf s brot im handumdrehen zubereitet take eat easy auf s brot by sabrina fauda rôle akiko ida fotografien barbara holle

80 überraschende rezepte auf s brot im handumdrehen - Jan 08 2023

web überraschende rezepte auf s brot im handumdrehen brotrezepte misereor aufs brot amp brötchen über 90 rezepte auf frag mutti de kochbuch von sabrina fauda rôle 80

aus alt mach lecker brot vom vortag deutsche innungsbäcker - Jun 01 2022

web brot vom vortag deutsche innungsbäcker aus alt mach lecker zweite chance für brot vom vortag es spricht vieles dagegen brote von gestern zu entsorgen etwa unsere

80 überraschende rezepte auf s brot im handumdrehen - Aug 03 2022

web tipps vom bäckermeister 244 brot rezepte lecker 80 überraschende rezepte auf s brot im handumdrehen aufs brot amp brötchen über 90 rezepte auf frag mutti de brot rezepte

80 überraschende rezepte auf s brot im handumdreh - Jun 13 2023

web 80 überraschende rezepte auf s brot im handumdreh rezepte für fruchtgummi und fruchtleder oct 24 2021 fruchtgummi und fruchtleder einfach selbst gemacht du

ultra brot rezepte kochbar de - Mar 30 2022

web die besten ultra brot rezepte ultra brot rezepte und viele weitere beliebte kochrezepte finden sie bei kochbar de

80 überraschende rezepte auf s brot im handumdreh - Dec 07 2022

web 80 überraschende rezepte auf s brot im handumdreh 5 5 meals for meat lovers and insanely good sweets discover large scale showstoppers perfect for hosting

80 überraschende rezepte auf s brot im handumdreh 2022 - Nov 06 2022

web 4 80 überraschende rezepte auf s brot im handumdreh 2020 12 14 christmas birthday valentine s date night parties what ever you fancy you ll find an amazing

80 überraschende rezepte auf s brot im handumdrehen - Sep 04 2022

web 80 überraschende rezepte auf s brot im handumdrehen zubereitet take eat easy auf s brot by sabrina fauda rôle akiko ida fotografien barbara holle übersetzung

80 überraschende rezepte auf s brot im handumdreh - Aug 15 2023

web 80 überraschende rezepte auf s brot im handumdreh meyers grosses konversations lexikon oct 04 2022 ergänzungs wörterbuch der deutschen sprache oct 31 2019

80 überraschende rezepte auf s brot im handumdrehen - Feb 26 2022

web jun 2 2023 80 überraschende rezepte auf s brot im handumdrehen zubereitet take eat easy auf s brot by sabrina fauda rôle akiko ida fotografien barbara holle

80 überraschende rezepte auf s brot im handumdrehen - Mar 10 2023

web jun 15 2023 meet the cost of under as competently as review 80 überraschende rezepte auf s brot im handumdrehen zubereitet take eat easy auf s brot by sabrina fauda

80 überraschende rezepte auf s brot im handumdrehen - Sep 23 2021

web 80 überraschende rezepte auf s brot im handumdrehen zubereitet take eat easy auf s brot by sabrina fauda rôle akiko ida fotografien barbara holle übersetzung

80 überraschende rezepte auf s brot im handumdreh - Oct 05 2022

web 80 überraschende rezepte auf s brot im handumdreh imagery in the gospel of john apr 30 2020 revised and enlarged papers from a conference held july 30 aug 1 2005

80 überraschende rezepte auf s brot im handumdrehen - Nov 25 2021

web handumdrehen zubereitet take eat easy auf s brot by sabrina fauda rôle akiko ida fotografien barbara holle übersetzung brot rezepte chefkoch langerblomqvist 80

80 überraschende rezepte auf s brot im handumdrehen - Jul 14 2023

web bücher bei weltbild jetzt 80 überraschende rezepte auf s brot im handumdrehen zubereitet von sabrina fauda rôle versandkostenfrei bestellen bei weltbild ihrem

80 überraschende rezepte auf s brot im handumdrehen - Feb 09 2023

web may 30 2023 80 überraschende rezepte auf s brot im handumdrehen zubereitet take eat easy auf s brot by sabrina fauda rôle akiko ida fotografien barbara holle

brötchen backen hier und heute fernsehen wdr - Jul 02 2022

web brötchen selbst backen liegt im trend mit unseren experten tipps gelingt es wirklich jedem wir haben rezepte für sie zum nachbacken

80 überraschende rezepte auf s brot im handumdrehen - Apr 11 2023

web jun 21 2023 80 überraschende rezepte auf s brot im handumdrehen zubereitet take eat easy auf s brot by sabrina fauda rôle akiko ida fotografien barbara holle

80 überraschende rezepte auf s brot im handumdrehen - Oct 25 2021

web brot rezept rezepte chefkoch 80 überraschende rezepte auf s brot im handumdrehen 80 überraschende rezepte auf s brot im handumdrehen brot backen sevenscooks brot

80 überraschende rezepte auf s brot im handumdrehen - Dec 27 2021

web sevenscooks rezept für ein saftiges roggenmischbrot 80 20 mit brot backen brotrezepte für sauerteig hefeteig und brotteig das einfache grundrezept lecker brot rezepte chefkoch

rezeptidee für altes brot brotauflauf - Apr 30 2022

web mar 1 2020 kochzeit 45 minuten anzahl personen 2 dieses leckere und einfache rezept stammt aus einer zeit in der noch alle lebensmittel verbraucht werden mussten

menghitung ratio putaran dan kapasitas tradisi tradisional - Jun 28 2023

web jun 4 2017 1 perbandingan pulley pada motor listrik n1 putaran mesin yang diinginkan n2 15rpm ratio gearbox 50 n1 n2 x ratio n1 15 x 50 n1 750rpm berarti putaran motor listrik 1500rpm harus kita turunkan dengan menggunakan perbandingan pulley agar didapat menjadi 750rpm putaran motor listrik 1500rpm

8 cara menghitung torsi gearbox general tutorial - Jul 18 2022

web oct 8 2022 rumus menghitung torsi kecepatan dan daya motor listrik serta rumus dan cara menghitung torque torsi kecepatan rpm dan daya power pada sebuah elektro motor serta bagaimana hubungan antara torsi kecepatan dan daya rumus menghitung rpm motor listrik $f \times 120$ pn $f \times 120$ pn 50hz x 120 4n

memahami pole kutub pada motor listrik artiini com - Dec 23 2022

web may 7 2020 pernyataan ini dapat dibuktikan dengan rumus menghitung rpm dibawah ini rpm $f \times 120$ p rpm rotation per minute jumlah putaran dalam satu menit f frekuensi hz p pole jumlah kutub magnet jika sebuah motor listrik memiliki 4 kutub magnet pole dan frekuensi sebesar 50hz nilai frekuensi ini adalah rata rata frekuensi

torsi kecepatan dan daya motor listrik serta hubungannya - Jul 30 2023

web mar 8 2016 rumus menghitung torsi kecepatan dan daya motor listrik serta hubungannya rumus dan cara menghitung torque torsi kecepatan rpm dan daya power pada sebuah elektro motor serta bagaimana hubungan antara torsi kecepatan dan daya kita dapat melihat spesifikasi pada name plate sebuah elektro motor yang

analisis kebutuhan energi motor listrik pada - Apr 14 2022

web lain hal pada putaran rendah motor listrik bisa menghasilkan torsi besar dan bekerja dengan efisiensi tinggi karena itulah mobil hybrid menggunakan listrik untuk memutar motor listrik yang disimpan di baterai untuk menjalankan pada saat *labsheet praktik mesin listrik staff site universitas* - Feb 10 2022

web torsi pada motor dapat ditentukan dengan rumus umum yaitu t_p atau $t_p = 2 \pi n$ 60 t torsi motor n m p daya motor w att n

jumlah putaran motor rpm terdapat 3 macam daya yaitu daya celah udara p12 daya rotor p2 dan daya keluaran po oleh karena itu torsi pada motor induksi 3 fasa dibedakan menjadi torsi

pengujian karakteristik motor kapasitor untuk - Jan 12 2022

web rumus di atas digunakan untuk mencari daya input suatu motor listrik sedangkan daya output motor listrik dapat dicari dengan menggunakan rumus yaitu $P_{out} = 0.1047 \cdot n \cdot m \cdot \text{watt}^2$ dimana P_{out} daya output motor watt n kecepatan rpm m torsi $n \cdot m$ faktor daya \cos

pengaturan kecepatan motor induksi 3 fasa dengan merubah - May 16 2022

web induksi adalah mengatur kecepatan putaran motor kecepatan putaran motor induksi dapat diubah dengan cara mengubah frekuensi dengan menggunakan inverter penelitian ini bertujuan mengetahui pengaruh perubahan frekuensi terhadap kecepatan putaran motor induksi 3 fasa menggunakan inverter hasil penelitian ini adalah perubahan

10 rumus motor listrik mulai daya torsi slip efisiensi - Aug 31 2023

web mar 6 2022 berikut merupakan rumus mencari dan menghitung daya input kecepatan putar daya output slip motor efisiensi motor arus torsi motor 1 dan 3 fasa 10 rumus motor listrik mulai daya torsi slip efisiensi cara ilmu

pole motor listrik pengertian jenis perbedaan perhitungan - Mar 26 2023

web dan menariknya kita juga dapat memperhitungkan putaran rotor per menit rpm pada sebuah dinamo motor listrik dengan menggunakan rumus berikut ini $\text{rpm} = f \times 120$ p keterangan

ketahui cara menghitung torsi gearbox yang lengkap lifepal - Aug 19 2022

web dec 5 2022 ratio i perbandingan putaran dari input shaft dan output shaft torsi kekuatan putarnya sebagai contoh apabila kamu hendak mengetahui cara menghitung torsi gearbox seperti belt conveyor dengan putaran 15 rpm dengan listrik 1500 rpm dan gearbox yang ada memiliki ratio 50 maka torsinya dapat dihitung dengan rumus n_2

inverter dan rumus menghitung putaran motor elektronika - Apr 26 2023

web mar 15 2012 kecepatan motor induksi ditentukan oleh frekuensi tegangan dan jumlah kutub motor seperti yang dijelaskan dalam rumus menghitung putaran motor atau $\text{rpm} = \frac{n}{120} \cdot f \cdot p$ dimana n jumlah putaran dalam satuan rpm f frekuensi dalam satuan hz p jumlah kutub jumlah kutub motor telah ditentukan oleh pabrikan saat dibuat

perancangan sepeda listrik dengan menggunakan motor - Jun 16 2022

web apr 21 2019 show full abstract motor listrik sebagai penggerak mula dengan fungsi ramp yaitu motor listrik berputar dari putaran 0 rpm sampai puncak yaitu 5640rpm hasil dari pengambilan respon berupa

inverter dan rumus menghitung putaran motor menentukan - Oct 21 2022

web dalam dunia industri yang menggunakan motor motor listrik umumnya menggunakan motor induksi inverter berfungsi untuk mengatur kecepatan motor tersebut kecepatannya motor induksi ditentukan oleh frekuensi tegangan dan jumlah kutub

motor seperti yang dijelaskan dalam rumus menghitung putaran motor atau rpm $n = 120 \cdot f \cdot p$ dimana n hubungan antara torsi kecepatan dan daya pada motor listrik - May 28 2023

web motor listrik adalah suatu alat yang dapat mengubah energi listrik menjadi tenaga gerak putar dan hal ini tentunya dipengaruhi oleh 3 faktor yaitu daya listrik yang digunakan berapa kecepatannya putaran yang dihasilkan dan berapa besar tenaganya torsi rumus menghitung rpm motor listrik

pdf perencanaan pembangkit listrik berbasis flywheel ganda - Nov 21 2022

web apr 14 2022 perbandingan putaran i motor listrik flywheel sebesar 1/3 dan flywheel generator 1 ukuran v belt motor listrik flywheel adalah a/43 dan flywheel generator a/45

memahami pole kutub pada motor listrik hobby teknik listrik - Jan 24 2023

web semakin banyak jumlah kutub magnet pole maka putaran motor listrik akan semakin lambat begitu juga sebaliknya semakin sedikit jumlah kutub magnet pole maka putaran motor listrik akan semakin cepat

mengenal istilah pole pada motor listrik beda motor - Feb 22 2023

web pernyataan ini dapat dibuktikan dengan rumus menghitung rpm dibawah ini $n = 120 \cdot f \cdot p$ rpm rotation per minute jumlah putaran dalam satu menit f frekuensi hz p pole jumlah kutub jika sebuah elektro motor memiliki 4 empat kutub magnet pole dan frekuensi 50hz maka rpm motor listrik tersebut adalah $n = 120 \cdot f \cdot p$

inverter dan rumus menghitung putaran motor blogger - Mar 14 2022

web oct 21 2012 kecepatan motor induksi ditentukan oleh frekuensi tegangan dan jumlah kutub motor seperti yang dijelaskan dalam rumus menghitung putaran motor atau rpm $n = 120 \cdot f \cdot p$ dimana n jumlah putaran dalam satuan rpm f frekuensi dalam satuan hz p jumlah kutub jumlah kutub motor telah ditentukan oleh pabrikan saat dibuat

skripsi analisa kecepatan dan torsi motor dc - Sep 19 2022

web menganalisis perbandingan nilai torsi motor arus searah dc antara motor dc dengan alur jangkar normal lurus dan motor dc dengan alur jangkar modifikasi miring ke kanan sebesar 30 serta jangkar motor dc yang

fundamentals of acoustics lawrence e kinsler google books - Feb 15 2023

web fundamentals of acoustics lawrence e kinsler wiley jan 22 1982 science 480 pages 2 reviews reviews aren't verified but google checks for and removes fake content when it's identified a clear treatment of the fundamental principles underlying the generation transmission and reception of acoustic waves and their application to

fundamentals of acoustics kinsler lawrence e frey austin r - Jun 19 2023

web jan 12 2000 4th edition this text is designed for a one semester junior senior graduate level course in acoustics it presents the physical and mathematical concepts related to the generation transmission and reception of acoustic waves covering the basic physics foundations as well as the engineering aspects of the discipline

fundamentals of acoustics by lawrence e kinsler austin r - Aug 09 2022

web sep 1 1982 f e white fundamentals of acoustics by lawrence e kinsler austin r frey alan b coppens and james v sanders j
acoust soc am 1 september 1982 72 3 1090 doi org 10 1121 1 388211 download citation file ris zotero reference manager
easybib bookends mendeley papers endnote refworks bibtex

fundamentals of acoustics kinsler lawrence e free - Dec 13 2022

web topics sound waves sound equipment and supplies architectural acoustics ondes sonores son appareils et mate riel
acoustique architecturale

fundamentals of acoustics 4th edition wiley - Oct 23 2023

web the acoustic wave equation and simple solutions reflection and transmission radiation and reception of acoustic waves
absorption and attenuation of sound cavities and waveguides pipes resonators and filters noise signal detection hearing and
speech architectural acoustics environmental acoustics transduction underwater acoustics

fundamentals of acoustics lawrence e kinsler austin r frey - Jul 20 2023

web jan 12 2000 the classic acoustics reference this widely used book offers a clear treatment of the fundamental

fundamentals of acoustics kinsler lawrence e frey - Jan 14 2023

web this text is designed for a one semester junior senior graduate level course in acoustics it presents the physical and
mathematical concepts related to the generation transmission and reception of acoustic waves covering the basic physics
foundations as well as the engineering aspects of the discipline

fundamentals of acoustics american journal of physics aip - Jun 07 2022

web fundamentals of acoustics lawrence e kinsler austin r frey carl e adams am j phys 31 812 1963 doi org 10 1119 1
1969118 share tools article pdf first page preview this content is only available via pdf 1963 american association of

fundamentals of acoustics kinsler lawrence e and austin r - Mar 04 2022

web fundamentals of acoustics 128 34 only 4 left in stock order soon second library copy san diego air and space museum
read more previous page print length 524 pages language english publisher john wiley sons publication date january 1 1962
isbn 10 0471480495 isbn 13 978 0471480495

fundamentals of acoustics kinsler lawrence e free - Oct 11 2022

web fundamentals of acoustics by kinsler lawrence e frey austin r austin rogers b 1897

fundamentals of acoustics semantic scholar - Sep 10 2022

web fundamentals of acoustics l e kinsler a r frey w mayer published 1 august 1963 physics physics today fundamentals of
vibration transverse motion the vibrating string vibrations of bars the two dimensional wave equation vibrations of
membranes and plates the acoustic wave equation and simple solutions reflection and

[fundamentals of acoustics 4th edition physics special topics](#) - Aug 21 2023

web fundamentals of vibration transverse motion the vibrating string vibrations of bars the two dimensional wave equation vibrations of membranes and plates the acoustic wave equation and simple solutions reflection and transmission radiation and reception of acoustic waves absorption and attenuation of sound cavities and

fundamentals of acoustics lawrence e kinsler google books - May 18 2023

web lawrence e kinsler wiley 2000 science 548 pages the classic acoustics reference this widely used book offers a clear treatment of the fundamental principles underlying the generation transmission and reception of acoustic waves and their application to numerous fields

[fundamentals of acoustics 3rd ed semantic scholar](#) - May 06 2022

web article kinsler1983fundamentals title fundamentals of acoustics 3rd ed author lawrence e kinsler and austin r frey and h b coppens and james v sanders and herbert saunders journal journal of vibration and acoustics transactions of the asme year 1983 volume 105 pages 269 270

fundamentals of acoustics by lawrence e kinsler open library - Nov 12 2022

web dec 18 2022 imported from scriblio marc record fundamentals of acoustics by lawrence e kinsler alan b coppens 2000 wiley edition in english 4th ed

[fundamentals of acoustics by kinsler lawrence e amazon com](#) - Mar 16 2023

web jan 22 1982 fundamentals of acoustics 135 34 29 only 2 left in stock order soon a clear treatment of the fundamental principles underlying the generation transmission and reception of acoustic waves and their application to numerous fields analyzes the various types of vibration of solid bodies and the propagation of sound waves through fluid media

[fundamentals of acoustics 4th edition semantic scholar](#) - Apr 05 2022

web dec 1 1999 fundamentals of acoustics 4th edition semantic scholar corpus id 118180250 fundamentals of acoustics 4th edition l e kinsler a r frey 1 author j v sanders published 1 december 1999 physics no paper link available save to library create alert cite 159 citations citation type more filters

fundamentals of acoustics wiley online books - Jul 08 2022

web jan 1 2006 about this book the central theme of the chapters is acoustic propagation in fluid media dissipative or non dissipative homogeneous or nonhomogeneous infinite or limited placing particular emphasis on the theoretical formulation of *pdf fundamentals of acoustics l kinsler academia edu* - Sep 22 2023

web fundamentals of acoustics l kinsler fundamentals of acoustics l kinsler by carlos suarez see full pdf download pdf create a free academia edu account access 47 million research papers for free keep up to date with the latest research share your research and grow your audience

fundamentals of acoustics kinsler lawrence e free - Apr 17 2023

web english includes bibliographical references and index fundamentals of vibration vibrating strings vibration of bars
circular membranes and plates acoustic plane waves transmission phenomena spherical acoustic waves resonators and filters
absorption of sound waves in fluids loudspeakers microphones ultrasonic