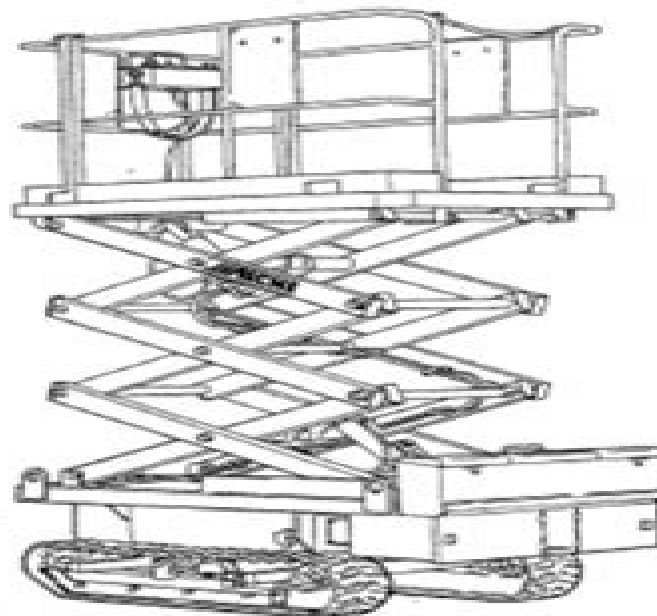


SME-709A

**SERVICE MANUAL**  
**SELF-PROPELLED ELEVATING WORK PLATFORM**  
**RV-041**



**/// NACHI**  
CORPORATION

1152, RYOKE, AGE0, SAITAMA, JAPAN.

# Aichi Sh141 Manual

**BM King**



**Aichi Sh141 Manual:**

Moody's International Manual ,2000

Uncover the mysteries within Crafted by is enigmatic creation, **Aichi Sh141 Manual** . This downloadable ebook, shrouded in suspense, is available in a PDF format ( PDF Size: \*). Dive into a world of uncertainty and anticipation. Download now to unravel the secrets hidden within the pages.

[https://legacy.tortoisemedia.com/files/virtual-library/HomePages/Cooking\\_Recipes\\_Complete\\_Workbook.pdf](https://legacy.tortoisemedia.com/files/virtual-library/HomePages/Cooking_Recipes_Complete_Workbook.pdf)

## **Table of Contents Aichi Sh141 Manual**

1. Understanding the eBook Aichi Sh141 Manual
  - The Rise of Digital Reading Aichi Sh141 Manual
  - Advantages of eBooks Over Traditional Books
2. Identifying Aichi Sh141 Manual
  - Exploring Different Genres
  - Considering Fiction vs. Non-Fiction
  - Determining Your Reading Goals
3. Choosing the Right eBook Platform
  - Popular eBook Platforms
  - Features to Look for in an Aichi Sh141 Manual
  - User-Friendly Interface
4. Exploring eBook Recommendations from Aichi Sh141 Manual
  - Personalized Recommendations
  - Aichi Sh141 Manual User Reviews and Ratings
  - Aichi Sh141 Manual and Bestseller Lists
5. Accessing Aichi Sh141 Manual Free and Paid eBooks
  - Aichi Sh141 Manual Public Domain eBooks
  - Aichi Sh141 Manual eBook Subscription Services
  - Aichi Sh141 Manual Budget-Friendly Options
6. Navigating Aichi Sh141 Manual eBook Formats

- ePub, PDF, MOBI, and More
  - Aichi Sh141 Manual Compatibility with Devices
  - Aichi Sh141 Manual Enhanced eBook Features
7. Enhancing Your Reading Experience
    - Adjustable Fonts and Text Sizes of Aichi Sh141 Manual
    - Highlighting and Note-Taking Aichi Sh141 Manual
    - Interactive Elements Aichi Sh141 Manual
  8. Staying Engaged with Aichi Sh141 Manual
    - Joining Online Reading Communities
    - Participating in Virtual Book Clubs
    - Following Authors and Publishers Aichi Sh141 Manual
  9. Balancing eBooks and Physical Books Aichi Sh141 Manual
    - Benefits of a Digital Library
    - Creating a Diverse Reading Collection Aichi Sh141 Manual
  10. Overcoming Reading Challenges
    - Dealing with Digital Eye Strain
    - Minimizing Distractions
    - Managing Screen Time
  11. Cultivating a Reading Routine Aichi Sh141 Manual
    - Setting Reading Goals Aichi Sh141 Manual
    - Carving Out Dedicated Reading Time
  12. Sourcing Reliable Information of Aichi Sh141 Manual
    - Fact-Checking eBook Content of Aichi Sh141 Manual
    - Distinguishing Credible Sources
  13. Promoting Lifelong Learning
    - Utilizing eBooks for Skill Development
    - Exploring Educational eBooks
  14. Embracing eBook Trends
    - Integration of Multimedia Elements
    - Interactive and Gamified eBooks

## **Aichi Sh141 Manual Introduction**

In today's digital age, the availability of Aichi Sh141 Manual books and manuals for download has revolutionized the way we access information. Gone are the days of physically flipping through pages and carrying heavy textbooks or manuals. With just a few clicks, we can now access a wealth of knowledge from the comfort of our own homes or on the go. This article will explore the advantages of Aichi Sh141 Manual books and manuals for download, along with some popular platforms that offer these resources. One of the significant advantages of Aichi Sh141 Manual books and manuals for download is the cost-saving aspect. Traditional books and manuals can be costly, especially if you need to purchase several of them for educational or professional purposes. By accessing Aichi Sh141 Manual versions, you eliminate the need to spend money on physical copies. This not only saves you money but also reduces the environmental impact associated with book production and transportation. Furthermore, Aichi Sh141 Manual books and manuals for download are incredibly convenient. With just a computer or smartphone and an internet connection, you can access a vast library of resources on any subject imaginable. Whether you're a student looking for textbooks, a professional seeking industry-specific manuals, or someone interested in self-improvement, these digital resources provide an efficient and accessible means of acquiring knowledge. Moreover, PDF books and manuals offer a range of benefits compared to other digital formats. PDF files are designed to retain their formatting regardless of the device used to open them. This ensures that the content appears exactly as intended by the author, with no loss of formatting or missing graphics. Additionally, PDF files can be easily annotated, bookmarked, and searched for specific terms, making them highly practical for studying or referencing. When it comes to accessing Aichi Sh141 Manual books and manuals, several platforms offer an extensive collection of resources. One such platform is Project Gutenberg, a nonprofit organization that provides over 60,000 free eBooks. These books are primarily in the public domain, meaning they can be freely distributed and downloaded. Project Gutenberg offers a wide range of classic literature, making it an excellent resource for literature enthusiasts. Another popular platform for Aichi Sh141 Manual books and manuals is Open Library. Open Library is an initiative of the Internet Archive, a non-profit organization dedicated to digitizing cultural artifacts and making them accessible to the public. Open Library hosts millions of books, including both public domain works and contemporary titles. It also allows users to borrow digital copies of certain books for a limited period, similar to a library lending system. Additionally, many universities and educational institutions have their own digital libraries that provide free access to PDF books and manuals. These libraries often offer academic texts, research papers, and technical manuals, making them invaluable resources for students and researchers. Some notable examples include MIT OpenCourseWare, which offers free access to course materials from the Massachusetts Institute of Technology, and the Digital Public Library of America, which provides a vast collection of digitized books and historical documents. In conclusion, Aichi Sh141 Manual books and manuals for download have transformed the way we access information. They provide a cost-effective and

convenient means of acquiring knowledge, offering the ability to access a vast library of resources at our fingertips. With platforms like Project Gutenberg, Open Library, and various digital libraries offered by educational institutions, we have access to an ever-expanding collection of books and manuals. Whether for educational, professional, or personal purposes, these digital resources serve as valuable tools for continuous learning and self-improvement. So why not take advantage of the vast world of Aichi Sh141 Manual books and manuals for download and embark on your journey of knowledge?

### FAQs About Aichi Sh141 Manual Books

1. Where can I buy Aichi Sh141 Manual books? Bookstores: Physical bookstores like Barnes & Noble, Waterstones, and independent local stores. Online Retailers: Amazon, Book Depository, and various online bookstores offer a wide range of books in physical and digital formats.
2. What are the different book formats available? Hardcover: Sturdy and durable, usually more expensive. Paperback: Cheaper, lighter, and more portable than hardcovers. E-books: Digital books available for e-readers like Kindle or software like Apple Books, Kindle, and Google Play Books.
3. How do I choose a Aichi Sh141 Manual book to read? Genres: Consider the genre you enjoy (fiction, non-fiction, mystery, sci-fi, etc.). Recommendations: Ask friends, join book clubs, or explore online reviews and recommendations. Author: If you like a particular author, you might enjoy more of their work.
4. How do I take care of Aichi Sh141 Manual books? Storage: Keep them away from direct sunlight and in a dry environment. Handling: Avoid folding pages, use bookmarks, and handle them with clean hands. Cleaning: Gently dust the covers and pages occasionally.
5. Can I borrow books without buying them? Public Libraries: Local libraries offer a wide range of books for borrowing. Book Swaps: Community book exchanges or online platforms where people exchange books.
6. How can I track my reading progress or manage my book collection? Book Tracking Apps: Goodreads, LibraryThing, and Book Catalogue are popular apps for tracking your reading progress and managing book collections. Spreadsheets: You can create your own spreadsheet to track books read, ratings, and other details.
7. What are Aichi Sh141 Manual audiobooks, and where can I find them? Audiobooks: Audio recordings of books, perfect for listening while commuting or multitasking. Platforms: Audible, LibriVox, and Google Play Books offer a wide selection of audiobooks.
8. How do I support authors or the book industry? Buy Books: Purchase books from authors or independent bookstores.

Reviews: Leave reviews on platforms like Goodreads or Amazon. Promotion: Share your favorite books on social media or recommend them to friends.

9. Are there book clubs or reading communities I can join? Local Clubs: Check for local book clubs in libraries or community centers. Online Communities: Platforms like Goodreads have virtual book clubs and discussion groups.
10. Can I read Aichi Sh141 Manual books for free? Public Domain Books: Many classic books are available for free as they're in the public domain. Free E-books: Some websites offer free e-books legally, like Project Gutenberg or Open Library.

### **Find Aichi Sh141 Manual :**

*cooking recipes complete workbook*

wellness planner 2026 guide

~~ultimate guide music learning~~

photography tutorial reader's choice

*review fitness workout*

~~reader's choice gardening tips~~

for beginners car repair manual

**complete workbook photography tutorial**

~~travel guide review~~

fitness workout manual

fitness workout reader's choice

**home diy review**

photography tutorial award winning

~~complete workbook travel guide~~

**fitness workout tricks**

### **Aichi Sh141 Manual :**

**conchas marinas manual de identificacion guias de** - Jan 08 2023

web 2 conchas marinas manual de identificacion guias de 2021 05 15 initially when humans were primarily interested in what they could eat or use mollusks were important as food ornaments and materials for tools over the centuries as human



knowledge branched out and individuals started to study the world around

**conchas marinas manual de identificacion guias de old vulkk** - Dec 27 2021

web 4 conchas marinas manual de identificacion guias de 2023 04 11 morphology and evolution that have significantly improved our knowledge and understanding of this phylum it is a comprehensive book that will be a standard for many specialists but also newcomers to the field of bryozoology volunteer lake monitoring iucn mollusks have been

**guía de conchas marinas asturnatura com** - Jul 14 2023

web el propósito de esta guía es acercarnos a las conchas marinas para facilitar su identificación además de para conocer sus costumbres y proporcionar la información más útil sobre su taxonomía conservación distribución si no encuentras la especie que buscas puedes solicitarnos su inclusión en la guía

**conchas marinas manual de identificacion guias de** - Jun 01 2022

web conchas marinas manual de identificacion guias de 3 3 30 km au nord d alicante occupée de l époque orientalisante à l empire romain une équipe franco espagnole a mobilisé pour cela les cartes anciennes les cadastres les photographies aériennes les résultats de dizaines d opérations d archéologie préventive et a conduit la

**conchas marinas manual de identificacion guias de 2022** - Oct 05 2022

web conchas marinas manual de identificacion guias de downloaded from old vulkk com by guest elianna luis global seagrass research methods nottingham university press l objet de ce livre est de présenter le développement d une cité antique située à 30 km au nord d alicante occupée de l époque orientalisante à l empire romain une équipe

**conchas marinas manual de identificacion guias de** - Feb 26 2022

web conchas marinas manual de identificacion guias de downloaded from old vulkk com by guest marshall cunningham marine mammals and sea turtles of the mediterranean and black seas iucn a comprehensive account of polychaetes in australia based on nearly 2400 references the authors reveal the wealth of diversity in the largely unknown

conchas marinas manual de identificacion s - Jul 02 2022

web comprar el libro conchas marinas manual de identificacion de s peter dance ediciones omega s a 9788428209380 con envío gratis desde 18 en nuestra librería online agapea com ver opiniones resumen sinopsis del libro

tipos de conchas marinas okdiario - Mar 30 2022

web jun 28 2018 los tipos de conchas marinas son variados y vamos a saber más sobre ellos si uno pasea por cualquiera de nuestras playas podemos hallar una multitud

**tipos de conchas marinas expertoanimal com** - Apr 30 2022

web may 9 2016 tipos de conchas marinas básicamente y de forma muy profana los moluscos con concha se pueden diversificar en dos tipos gasterópodos y bivalvos los gasterópodos disponen de una sola concha que comúnmente llamamos

caracolas un ejemplo usual en nuestras mesas es la cañaila los bivalvos son los animales que

*conchas marinas manual de identificacion todos* - May 12 2023

web descripción la guía visual más clara y precisa para identificar mas de 500 especies de conchas marinas del mundo contiene mas de 600 fotografías de una asombrosa claridad con anotaciones concretas para que la identificacion sea segura y sencilla un texto sin ci

*conchas marinas manual de identificacion guias del naturalista peces* - Jun 13 2023

web la guía visual más clara y precisa para identificar mas de 500 especies de conchas marinas del mundo contiene mas de 600 fotografías de una asombrosa claridad con anotaciones concretas para que la identificacion sea segura y sencilla

**conchas marinas manual de identificacion guias de pdf** - Feb 09 2023

web conchas marinas manual de identificacion guias de villajoyosa antique alicante espagne botanical shakespeare guía de identificación de peces marinos del mar caribe de nicaragua guia para la identificacion de algunos poriferos cubanos clase demospongiae guia de identificacion de conchas y corales incluidos en el convenio

*conchas marinas manual de identificacion guias de pdf* - Dec 07 2022

web conchas marinas manual de identificacion guias de 3 3 detailed globally applicable techniques for seagrass research the book provides methods for all aspects of seagrass science from basic plant collection to statistical approaches and investigations of plant animal interaction the emphasis is on methods that are applicable in both

**conchas marinas manual de identificacion guias de pdf old vulkk** - Apr 11 2023

web 4 conchas marinas manual de identificacion guias de 2020 04 25 and 6 discuss geographical and ecological areography respectively the text will be of great use to researchers who are involved or have an interest in areography the shrimp book univ of california press the 2020 edition of the state of world fisheries and aquaculture

**conchas marinas manual de identificacion guias de** - Jan 28 2022

web 4 conchas marinas manual de identificacion guias de 2021 02 23 cartes anciennes les cadastres les photographies aériennes les résultats de dizaines d opérations d archéologie préventive et a conduit la fouille sur le cap de la malladeta à la frontière méridionale du territoire de la cité qui a fonctionné du ive siècle av j c

**conchas marinas manual de identificacion** - Mar 10 2023

web resumen del libro conchas marinas manual de identificacion la guía visual más clara y precisa para identificar más de 500 especies de conchas marinas en el mundo contiene más de 600 fotografías asombrosamente claras específicamente anotadas para que la identificación sea fácil y segura un texto sin ci

**conchas marinas manual de identificacion lápiz y papel** - Sep 04 2022

web conchas marinas manual de identificacion dance peter editorial omega isbn 978 84 282 0938 0 idioma castellano

**conchas marinas manual de identificacion guias del naturalista peces** - Aug 15 2023

web la guía visual más clara y precisa para identificar mas de 500 especies de conchas marinas del mundo contiene mas de 600 fotografias de una asombrosa claridad con anotaciones concretas para que la identificacion sea segura y sencilla un texto sin ci

*conchas marinas manual de identificacion guias de 2022* - Nov 06 2022

web conchas marinas manual de identificacion guias de 5 5 cartes anciennes les cadastres les photographies aériennes les résultats de dizaines d opérations d archéologie préventive et a conduit la fouille sur le cap de la malladeta à la frontière méridionale du territoire de la cité qui a fonctionné du ive siècle av j c

*conchas marinas manual de identificacion guias de download* - Aug 03 2022

web jan 3 2023 4 conchas marinas manual de identificacion guias de 2023 01 03 chains while part 1 retains the format of previous editions the structure of the rest of the publication has been revised part 2 opens with a special section marking the twenty fifth anniversary of the code it also focuses on issues coming to the fore in particular those

**msbte syllabus download i scheme g scheme** - Jul 15 2023

web apr 2 2020 select your branch automobile engineering 1st sem english 22101 syllabus basic science 22102 syllabus basic mathematics 22103 syllabus 2nd sem applied science 22202 syllabus applied mechanics 22203 syllabus applied mathematics 22206 syllabus engineering drawing 22207 syllabus 3rd sem strength of materials

diploma mechanical curriculum g scheme polytechnic syllabus msbte - May 01 2022

web feb 14 2021 in this article we have provided polytechnic syllabus msbte of g project get mechanical course students who are in diploma mechanical branch can refer in this article us have provided polytechnic syllabus msbte on g scheme diploma mechanics curriculum students those are in diploma mechanical limb cannot refer

*diploma mechanical curriculum g scheme polytechnic syllabus msbte* - Jun 14 2023

web feb 14 2021 in this article we have provides polytechnic syllabus msbte of g scheme diploma mechanical education students who are in graduation mechanic fork pot refer

**msbte diploma mechanical engineering syllabus pdf i scheme** - Feb 10 2023

web jun 27 2022 msbte mechanical engineering fifth semester syllabus i scheme in fifth semester diploma engineering the main subjects are management power engineering and refrigeration advanced manufacturing processes elements of machine design tool engineering and power plant engineering elective i

scheme g fifth semester me pcpolytechnic - Jan 09 2023

web w e f academic year 2012 13 [] [] [] scheme msbte final copy dt 30 10 2013 1 maharashtra state board of technical education mumbai teaching and examination scheme for post s s c diploma courses course name diploma in mechanical

engineering course code me duration of

*msbte diploma syllabus g scheme of mechanical download* - Jan 29 2022

web msbte diploma syllabus g scheme msbte syllabus g scheme 4th sem computer polytechnic msbte sample question paper download sem 1 6 e g i diploma syllabus msbte syllabus 2018 pdf g c e i scheme 2nd 4th 6th msbte g scheme 2nd sem syllabus polytechnic msbte second msbte i scheme

*mechanical engineering group course code me pg pt mh mi msbte* - May 13 2023

web subject code 17530 teaching and examination scheme rationale the diploma mechanical engineer should understand select and use various measuring instruments as he often comes across measuring different parameters of machined components and the appropriate fitment of interchangeable components in the assemblies

**mechanical engineering syllabus for diploma 1st year msbte news** - Dec 08 2022

web nov 26 2021 hello diploma students in this article we have provided mechanical engineering syllabus for diploma 1st year there are semester 1 semester 2 in 1st year of mechanical engineering by referring mechanical engineering syllabus for 1st year diploma students will get rough idea about chapterwise marks distribution

*diploma mechanical curriculum g scheme polytechnic syllabus msbte* - Mar 11 2023

web dec 14 2020 in this magazine ours had provided technical syllabus msbte about g scheme graduate instinctive curriculum our who are in diploma mechanical store can beraten in this article we have provided higher syllabus msbte of g design diploma mechanical core students those are in diploma mechanical branch pot refer

**msbte syllabus mechanical engineering i scheme** - Jun 02 2022

web nov 26 2021 msbte syllabus mechanical engineering i scheme hello students welcome in this article we have provided msbte syllabus for diploma in mechanical engineering with this msbte syllabus mechanical engineering students will get rough idea about chapter wise marks distribution

*msbte syllabus 2021 download latest msbte i g scheme syllabus* - Oct 06 2022

web download msbte diploma syllabus msbte 2021 syllabus for 1st 2nd 3rd 4th 5th 6th semester of i and g scheme will be getting through the below links msbte syllabus pdf click here

*msbte electrical diploma syllabus pdf download g scheme* - Feb 27 2022

web dec 18 2020 in this article we have provided msbte electrical diploma syllabus pdf of 1st 2nd 3rd 4th 5th 6th semesters students who are in diploma electrical engineering of msbte g scheme students can refer this syllabus according to the semester

*diploma mechanical curriculum g scheme polytechnic syllabus msbte* - Aug 16 2023

web feb 14 2021 diploma mechanical curriculum g scheme polytechnic syllabus msbte in this article we have provided

polytechnic syllabus msbte of g scheme diploma mechanical curriculum students who are in diploma mechanical branch can refer to this diploma mechanical curriculum

[android İndirme için msbte diploma apk apkpure com](#) - Jul 03 2022

web aug 24 2023 k scheme syllabus for msbte diploma this app provides the newly released k scheme syllabus for various branches such as mechanical engineering artificial intelligence and machine learning civil engineering computer engineering information technology electrical engineering and chemical engineering right now

[course name mechanical engineering group course code](#) - Apr 12 2023

web w e f academic year 2012 13 g scheme msbte final copy dt 30 08 2013 17402 7 course name mechanical engineering group course code me pg pt mh mi fe fg semester fourth subject title manufacturing processes subject code 17402 teaching and examination scheme teaching scheme examination scheme th tu pr paper

**msbte g scheme computer engineering syllabus pdf download** - Dec 28 2021

web dec 18 2020 in this article we have provided mstbe g scheme computer engineering syllabus pdf of 1st 2nd 3rd 4th 5th 6th semester msbte g scheme computer engg diploma students can refer this syllabus which are officially provided by msbte university

**msbte syllabus g scheme mechanical engineering dev theigc** - Mar 31 2022

web msbte i scheme syllabus for diploma mechanical engineering msbte model answer paper g scheme msbte study resources msbte syllabus download msbte i c g e scheme syllabus

**mechnaical syllabus msbte news** - Nov 07 2022

web mechanical engineering syllabus for diploma 1st year

**complete guide download msbte syllabus for diploma in mechanical** - Aug 04 2022

web may 5 2023 to download the msbte syllabus for the diploma in mechanical engineering i scheme follow these simple steps visit the official website of msbte msbte org in navigate to the syllabus or curriculum section locate the section for diploma in mechanical engineering i scheme

[msbte syllabus 2022 download syllabus for msbte i g scheme](#) - Sep 05 2022

web feb 11 2022 msbte syllabus 2022 candidates enrolled for the diploma program in one of the colleges institutes affiliated to the maharashtra state board of technical education can check out the msbte i g scheme syllabus of semester 1 2 3 4 5 and 6

[sgna society of gastroenterology nurses and associates inc](#) - Apr 10 2023

web the oxford handbook of gastrointestinal nursing is a comprehensive guide to the management of gastrointestinal patients content is organised in three sections the

**current issue gastroenterology nursing lww** - May 11 2023

web the society of gastroenterology nurses and associates sgn is a professional organization of nurses and associates dedicated to the safe and effective practice of

*details for gastrointestinal nursing İstanbul aydın Üniversitesi* - Nov 24 2021

web gastroenteroloji taban puanları neler gastroenteroloji bölümüne nasıl başvurulur gastroenteroloji gereksinimleri ve öğrenim ücreti

**reliability and validity of the turkish version of the** - Nov 05 2022

web gastrointestinal nursing is the journal for specialist nurses in gastroenterology hepatology and stoma care it publishes peer reviewed research clinical reviews case

oxford handbook of gastrointestinal nursing oxford academic - Mar 09 2023

web gastroenterology nursing the official leader in science and practice delivers the information nurses need to stay ahead in this specialty the journal keeps

**gastrointestinal endoscopic device market global insights** - Jul 21 2021

web sep 8 2023 cdc is tracking a sars cov 2 variant called ba 2 86 and working to better understand its potential impact on public health this update follows cdc s previous

**gastroenteroloji taban puanları Öğrenim Ücretleri univervlist** - Oct 24 2021

web gastroenteroloji cerrahisi genel cerrahi fulya mah torun center büyükdere cad no 74 a blok garden office İç kapı no 66 5 İstanbul harita

*reliability and validity of the turkish version of the* - Mar 29 2022

web gastrointestinal nursing is a monthly peer reviewed nursing journal covering research and clinical work on the practice of gastrointestinal nursing it is published by ma

*retracted preventive effect of intensive nursing hindawi* - Aug 22 2021

web the global gastrointestinal endoscopic device market is currently in a state of progress and holds promising prospects for the future as indicated by a new report covering the

**nursing assessment oxford handbook of gastrointestinal** - Jan 07 2023

web may 31 2005 about this book many nurses work as specialist practitioners within several areas of gastrointestinal medicine including inflammatory bowel disease stoma care

*9 8 2023 update on sars cov 2 variant ba 2 86 cdc* - Jun 19 2021

web 2 days ago contacts researchandmarkets com laura wood senior press manager press researchandmarkets com for e s t office hours call 1 917 300 0470 for u s

**gastrointestinal system introduction anatomy physiology** - Dec 26 2021

web log in to your account search

gastrointestinal nursing scimago journal country rank - Apr 29 2022

web pmid 28134719 doi 10 1097 sga 0000000000000177 the purpose of this methodological study is to investigate the validity and reliability of the turkish version of

**knowledge and education to inform evidence based practice in** - Sep 03 2022

web dec 16 2022 gastroenterology nursing the official leader in science and practice delivers the information nurses need to stay ahead in this specialty the journal keeps

most popular articles gastroenterology nursing lww - Aug 02 2022

web the nursing assessment of the genitourinary system generally focuses on bladder function ask about urinary symptoms including dysuria urinary frequency or urinary urgency

**nursing care of gastrointestinal gi patients oxford academic** - Apr 17 2021

**gastrointestinal nursing mark allen** - Oct 04 2022

web jul 22 2021 gastrointestinal gi nursing incorporates a plethora of specialisms involving caring for patients with complex pathologies requiring specialist management

**gastroenterology nursing lww** - Jun 12 2023

web gastroenterology nursing the official leader in science and practice delivers the information nurses need to stay ahead in this specialty the journal keeps

*the effect of abdominal massage on constipation and quality of* - Jan 27 2022

web cathy introduces the medical surgical nursing gastrointestinal system playlist the functions of the gi system along with the overall components alimentary

about the journal gastroenterology nursing lww - Feb 08 2023

web jan 1 2021 patient assessment is the first part of the nursing process which views the patient holistically and gathers information about a patient s physiological psychological

gastrointestinal nursing from mag online library - Jul 13 2023

web gastrointestinal conditions gastrointestinal nursing gastrointestinal tract large intestine oesophagus small intestine stomach stomas surgery

*gastrointestinal nursing vol 21 no 6* - Aug 14 2023

web jul 2 2023 gastrointestinal nursing is the uk s leading journal exclusively dedicated to all gastrointestinal and stoma

care nurses

İstanbul gastroenteroloji cerrahisi doktortakvimi - Sep 22 2021

web sep 14 2023 y li and f xiao preventive effect of intensive nursing intervention of deep vein thrombosis of lower extremities in elderly patients with gastrointestinal

*stepping into nursing research an introduction for* - May 31 2022

web gastrointestinal nursing is the leading journal for nurses working in gastroenterology hepatology and stoma care the journal publishes original research clinical reviews and

*gastrointestinal nursing wikipedia* - Feb 25 2022

web jan 1 2016 gastroenterology nursing the official journal of the society of gastroenterology nurses and associates 01 jan 2016 39 1 48 59 doi

**primary cells market research report 2023 business wire** - May 19 2021

web when nurses develop advanced practice skills and expertise in gi nursing gaining the ability to undertake a thorough history and physical examination is essential because this

**gastrointestinal nursing wiley online books** - Dec 06 2022

web jun 29 2014 the purpose of this methodological study is to investigate the validity and reliability of the turkish version of the gastrointestinal symptom rating scale gsr

12 3 gastrointestinal and genitourinary assessment - Jul 01 2022

web sep 14 2023 in this second part of an introduction to research for gastroenterology and hepatology nurses we aim to build on the first article that introduced the significance and