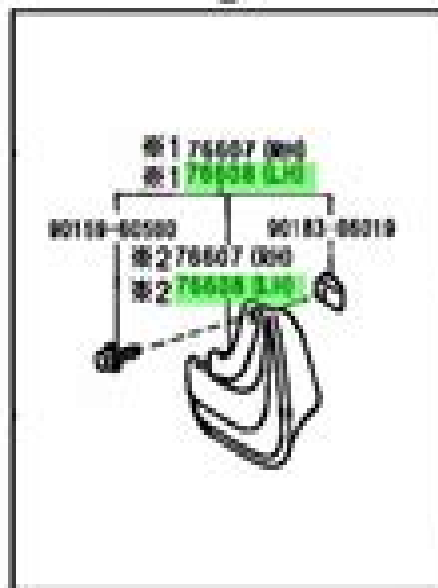
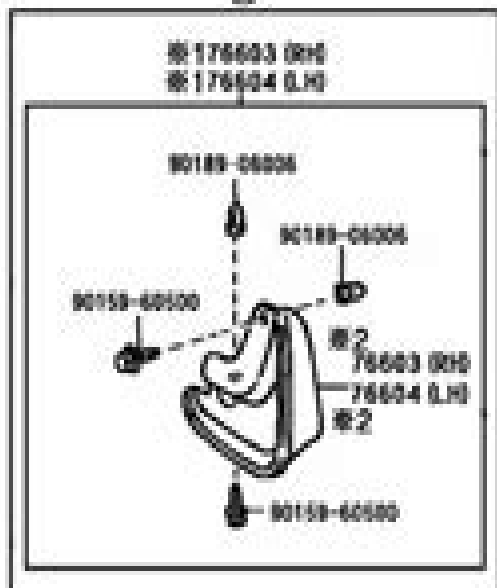


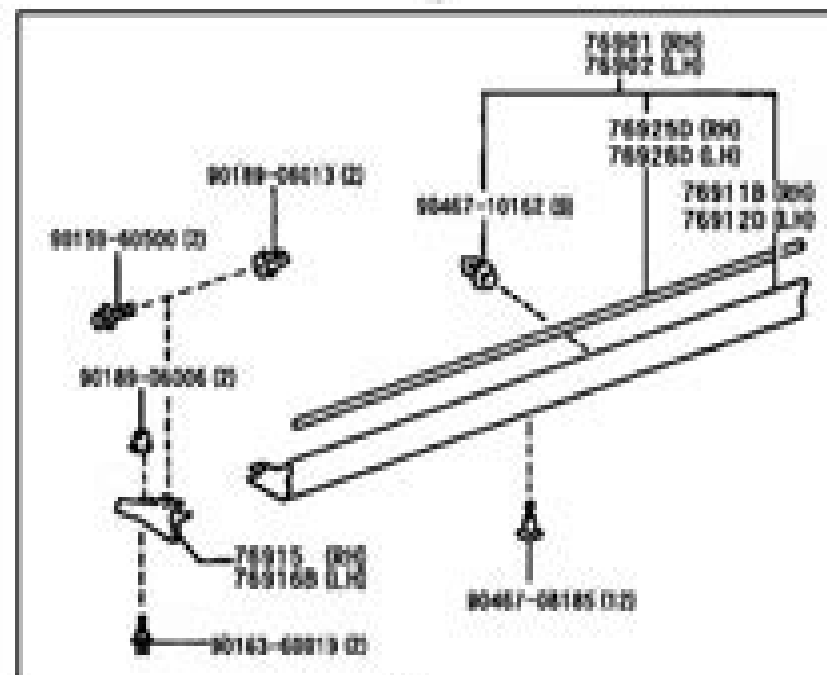
※1 (-9704)
※2 (9704-)

①

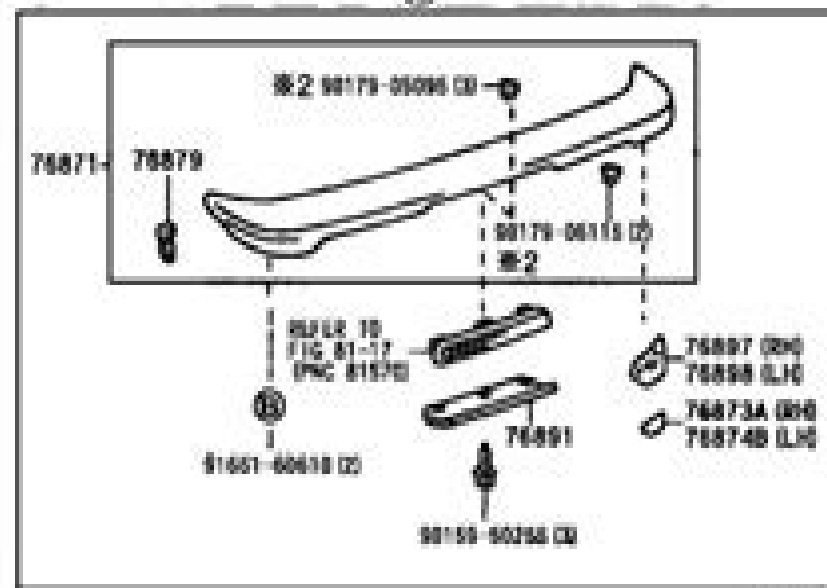
②



③



④



Anatomy Of A 2008 Corolla

Bryan G. Bowes, James D. Mauseth



Anatomy Of A 2008 Corolla:

Structure and Function of Plants Jennifer W. MacAdam, 2011-11-18 Plant anatomy and physiology and a broad understanding of basic plant processes are of primary importance to a basic understanding of plant science These areas serve as the first important building blocks in a variety of fields of study including botany plant biology and horticulture *Structure and Function of Plants* will serve as a text aimed at undergraduates in the plant sciences that will provide an accurate overview of complex plant processes as well as details essential to a basic understanding of plant anatomy and physiology Presented in an engaging style with full color illustrations *Structure and Function of Plants* will appeal to undergraduates faculty extension faculty and members of Master Gardener programs **The Woody Plant Seed Manual, Agriculture Handbook 727, July 2008**, 2009 *Crop Pollination by Bees, Volume 1* Keith S. Delaplane, 2021-07-30 Since the second half of the 20th Century our agricultural bee pollinators have faced mounting threats from ecological disturbance and pan global movement of pathogens and parasites At the same time the area of pollinator dependent crops is increasing globally with no end in sight Never before has so much been asked of our finite pool of bee pollinators This book not only explores the evolutionary and ecologic bases of these dynamics it translates this knowledge into practical research based guidance for using bees to pollinate crops It emphasizes conserving wild bee populations as well as culturing honey bees bumble bees and managed solitary bees To cover such a range of biology theory and practice from the perspectives of both the pollinator and the crop the book is divided into two volumes Volume 1 focuses on bees their biology coevolution with plants foraging ecology and management and gives practical ways to increase bee abundance and pollinating performance on the farm Volume 2 also available from CABI focuses on crops with chapters addressing crop specific requirements and bee pollination management recommendations Both volumes will be essential reading for farmers horticulturists and gardeners researchers and professionals working in insect ecology and conservation and students of entomology and crop protection

Flowers on the Tree of Life Livia Wanntorp, Louis P. Ronse De Craene, 2011-09-22 Genetic and molecular studies have recently come to dominate botanical research at the expense of more traditional morphological approaches This broad introduction to modern flower systematics demonstrates the great potential that floral morphology has to complement molecular data in phylogenetic and evolutionary investigations Contributions from experts in floral morphology and evolution take the reader through examples of how flowers have diversified in a large variety of lineages of extant and fossil flowering plants They explore angiosperm origins and the early evolution of flowers and analyse the significance of morphological characters for phylogenetic reconstructions on the tree of life The importance of integrating morphology into modern botanical research is highlighted through case studies exploring specific plant groups where morphological investigations are having a major impact Examples include the clarification of phylogenetic relationships and understanding the significance and evolution of specific floral characters such as pollination mechanisms and stamen and carpel numbers Plant

Structure Bryan G. Bowes, James D. Mauseth, 2008-04-11 This book is a fundamental guide to understanding plant structure offering plant scientists plant biologists and horticulturalists in practice academic life and in training It includes a combination of concise scientific text and superb color photographs and drawings focusing on structure at anatomical histological and fine structure levels

Ethylene in Plant Biology Samiksha Singh, Tajammul Husain, Vijay Pratap Singh, Durgesh Kumar Tripathi, Sheo Mohan Prasad, Nawal Kishore Dubey, 2022-09-06 ETHYLENE IN PLANT BIOLOGY Comprehensive resource detailing the role of ethylene in plant development regulation gene regulation root development stress tolerance and more Ethylene in Plant Biology presents ethylene research from leading laboratories around the globe to allow readers to gain strong foundational coverage of the topic and aid in further ethylene research as it pertains to plant biology The work covers general ideas as well as more specific and technical knowledge detailing the overall role of ethylene in plant biology as a gaseous plant hormone that has emerged as an important signaling molecule which regulates several steps of a plant's life cycle The ideas covered in the work range from discovery of ethylene to its wide roles in plant growth and development all the way to niche topics such as stress acclimation Written by highly qualified authors in fields directly related to plant biology and research the work is divided into 20 chapters with each chapter covering a specific facet of ethylene or the interaction between ethylene and plant health Topics discussed in the text include Our current understanding of ethylene and fruit ripening plus the role of ethylene in flower and fruit development Ethylene implications in root development and crosstalk of ethylene with other phytohormones in plant development Ethylene as a multitasking regulator of abscission processes and powerful coordinator of drought responses Mechanisms for ethylene synthesis and homeostasis in plants along with ethylene and phytohormone crosstalk in plant defense Ethylene and metabolic reprogramming under abiotic stresses as well as ethylene's applications in crop improvement For biologists scientists researchers and policy makers in the agriculture and pharmaceutical industries Ethylene in Plant Biology is a key resource to understand the state of the art in the field and establish a foundation of knowledge that can power future research efforts and practical applications

Floral Diagrams Louis P. Ronse De Craene, 2022-04-07 Floral diagrams are detailed two dimensional drawings of floral structures and a tool to explain floral diversity and angiosperm evolution

The Making of Mr Gray's Anatomy Ruth Richardson, 2008-10-23 Gray's Anatomy is probably one of the most iconic scientific books ever published an illustrated textbook of anatomy that is still a household name 150 years since its first edition known for its rigorously scientific text and masterful illustrations as beautiful as they are detailed The Making of Mr Gray's Anatomy tells the story of the creation of this remarkable book and the individuals who made it happen Henry Gray the bright and ambitious physiologist poised for medical fame and fortune who was the book's author Carter the brilliant young illustrator lacking Gray's social advantages shy and inclined to religious introspection and the publishers Parkers father and son the father eager to employ new technology the son part of a lively circle of intellectuals It is the story of changing attitudes in the mid

19th century of the social impact of science the changing status of medicine of poverty and class of craftsmanship and technology And it all unfolds in the atmospheric milieu of Victorian London taking the reader from the smart townhouses of Belgravia to the dissection room of St George s Hospital and to the workhouses and mortuaries where we meet the friendless poor who would ultimately be immortalised in Carter s engravings Alongside the story of the making of the book itself Ruth Richardson reflects on what made Gray s Anatomy such a unique intellectual artistic and cultural achievement how it represented a summation of a long half century s blossoming of anatomical knowledge and exploration and how it appeared just at the right time to become the Doctor s Bible for generations of medics to follow

Mid-Currituck Bridge Study, Currituck and Dare Counties ,2012

Systematic Pomology (Vol. 1-2) (Set) O.P. Pareek,Suneel Sharma,2017-01-01 The book is aimed to be a treatise on the Systematic Pomology the primary component of science of fruits dealing with identification nomenclature and classification of fruit species based on the descriptions of characteristics related to their morphological genetical physiological biochemical biotechnological and eco attributes Besides taxonomic narrative of each species under the respective orders and genera considerable emphasis has been laid on cultivars The treatment is based on the latest version of Nomenclature and Phylogenetic System of Classification APG III The book is richly illustrated with diagrams and colour plates and carries fairly exhaustive bibliography and glossary Thus the book is of high academic value for research workers teachers students and anyone interested in advanced fruit culture to provide insight in identifying and classifying fruit plants providing standard nomenclature and terminology in avoiding the confusion from synonymy and promoting correct labeling to understand their genetic relations in establishing or maintaining a garden a germplasm block a research orchard or even herbaria in identification of new genotypes or cultivars for introduction and in deciding orchard management practices as well as methods of utilization in using the correct related cultivars kept in a genetic resources repository for improvement considering the limits of hybridization and in selecting genetic material for a breeding programme considering their taxonomic proximities and specific characters related to fruit bearing regularity nutritive and edible quality resistance to biotic and abiotic stresses and plant stature and form

The Edinburgh New Philosophical Journal ,1828

Biology for Medical Entrance (All in One), 2nd Edition Srivastava, Santosh Kumar,2014 A Book on Biology for Medical Entrance

NCERT Class-XII All Examination Biology Previous Years Solved Papers YCT Expert Team , NCERT Class XII All Examination Biology Previous Years Solved Papers

Invasion Dynamics Cang Hui,David M. Richardson,2017 An advanced textbook adopting a theoretical modeling approach to review and discuss the current range and distributions of alien species their rates of spread and their impact in human dominated ecosystems

Honey in Traditional and Modern Medicine Laïd Boukraâ,2013-10-29 The use of honey can be traced back to the Stone Age Evidence can be found for its nutritional and medicinal use beginning with prehistoric and ancient civilizations Currently there is a resurgence of scientific interest in natural medicinal products such as honey by researchers the medical

community and even the general public Honey in Traditional and Modern Medicine provides a detailed compendium on the medical uses of honey presenting its enormous potential and its limitations The book covers honey s ethnomedicinal uses chemical composition and physical properties It discusses the healing properties of honey including antimicrobial anti-inflammatory and antioxidant properties It also examines the botanical origin of honey a critical factor in relation to its medicinal use along with the complex subject of the varying composition of honey Honey s antibacterial qualities and other attributes are described in a chapter dedicated to Leptospermum or Manuka honey a unique honey with potential for novel therapeutic applications Chapters explore a variety of medicinal uses for honey including its healing properties and use in burn and wound management They review honey s beneficial effects on medical conditions such as gastrointestinal disorders cardiovascular diseases diabetic ulcers and cancers as well as in pediatrics and animal health and wellness The book also examines honey based formulations modern methods for chemical analysis of honey and the history and reality of mad honey The final chapters cover honey in the food industry as a nutrient and for culinary use

Insect Ecomorphology Oliver Betz,2025-02-25 Insect Ecomorphology Linking Functional Insect Morphology to Ecology and Evolution offers the most up to date knowledge and understanding of the morphology of insects and the functional basis of their diversity This book covers the form and function of insect body structures synthesized with their physiological performance capabilities biological roles and evolutionary histories Written by international experts this book provides a modern outline of the topic exploring the ecomorphology of functional systems such as insect feeding locomotion sensing and reproduction The combination of conceptual and review chapters methodological approaches and case studies enables readers to delve into active research fields and attain a general idea of the explanatory power of the form function performance paradigm The book uncovers key structures of the different regions of the insect body elucidates how they function and investigates their ecological and evolutionary implications Insect Ecomorphology Linking Functional Insect Morphology to Ecology and Evolution is a vital resource for entomologists biologists and zoologists especially those seeking to better understand the morphology and physiological impacts tying insects to environments and evolution Integrates traditionally separate fields of research with the aim of understanding insect morphology ecology and evolution Considers the impacts of insect ecomorphology on biomimetic applications Includes conceptual and methodological chapters to help readers appreciate the ways in which ecomorphological studies are performed

Petal Development: From Cell Biology to EvoDevo Tengbo Huang,Elena M. Kramer,Deshu Lin,2023-02-28 *Flowering Plants. Eudicots* Klaus Kubitzki,2010-12-10 This volume the tenth in the series comprises modern treatments for the families and genera of the eudicot orders Sapindales and Cucurbitales The circumscription of the orders families and genera conforms to the most recent systematic studies The family treatments include descriptions of the families and the genera genera classification keys discussions of relationships and data on their morphology reproductive biology distribution ecology and economic importance Sapindales and Cucurbitales as understood

in this volume comprise 16 families with 637 genera and roughly 9 240 species Sapindales include large tropical and southern temperate tree families such as the Anacardiaceae Sapindaceae these in the modern circumscription which includes Aceraceae and Hippocastanaceae Meliaceae and Rutaceae which have long been considered to be closely related Cucurbitales represent a relatively new ordinal concept apart from some small woody groups the order contains two large families Cucurbitaceae and Begoniaceae which are predominantly and likely basically herbaceous A detailed treatment of the tropical and southern temperate woody family Myrtaceae itself comprising 142 genera and 6 700 species is an addendum to the treatment of the Myrtales in Vol IX of this series

Plant Systematics Michael G. Simpson, 2010-07-19 Plant Systematics Second Edition provides the basis for teaching an introduction to the morphology evolution and classification of land plants It presents a foundation of the approach methods research goals evidence and terminology of plant systematics along with the most recent knowledge of evolutionary relationships of plants and practical information vital to the field This updated edition has been expanded to include 15 fern families 9 gymnosperm families and increased angiosperm family treatments from 100 to 129 Each family description includes a plate of full color photographs illustrating exemplars of the group along with dissected and labeled material to show diagnostic features The book includes a new chapter on species concepts and the role and impact of plant systematics in conservation biology and a new appendix on statistical and morphometric techniques in plant systematics It also contains more detailed explanations of maximum likelihood and Bayesian phylogeny inference methods an expanded coverage and glossary of morphological terms and an updated chapter on botanical nomenclature This book is recommended for graduate and undergraduate students in botany plant taxonomy plant systematics plant pathology plant anatomy and ecology as well as scientists and researchers in any of the plant sciences Fifteen fern families 9 gymnosperm families and an increase of angiosperm family treatments from 100 to 129 Each family description includes a plate of full color photographs illustrating exemplars of the group along with dissected and labeled material to show diagnostic features A new chapter on species concepts and the role and impact of plant systematics in conservation biology A new appendix on statistical and morphometric techniques in plant systematics In addition the second edition contains more detailed explanations of maximum likelihood and Bayesian phylogeny inference methods an expanded coverage and glossary of morphological terms and an updated chapter on botanical nomenclature

Plant Secondary Metabolites, Three-Volume Set Mohammed Wasim Siddiqui, Kamlesh Prasad, Vasudha Bansal, 2017-01-06 Plant secondary metabolites are organic compounds that aid in the growth and development of plants but are not required for the plant to survive by fighting off herbivores pests and pathogens These plant secondary metabolites have been used since early times in various medicines and food products for beneficial health purposes and are still r

Eventually, you will totally discover a supplementary experience and success by spending more cash. nevertheless when? pull off you tolerate that you require to acquire those all needs later having significantly cash? Why dont you try to get something basic in the beginning? Thats something that will lead you to understand even more more or less the globe, experience, some places, with history, amusement, and a lot more?

It is your agreed own become old to doing reviewing habit. accompanied by guides you could enjoy now is **Anatomy Of A 2008 Corolla** below.

<https://legacy.tortoisemedia.com/results/virtual-library/Documents/Viral%20Tiktok%20Challenge%20Global%20Trend.pdf>

Table of Contents Anatomy Of A 2008 Corolla

1. Understanding the eBook Anatomy Of A 2008 Corolla
 - The Rise of Digital Reading Anatomy Of A 2008 Corolla
 - Advantages of eBooks Over Traditional Books
2. Identifying Anatomy Of A 2008 Corolla
 - Exploring Different Genres
 - Considering Fiction vs. Non-Fiction
 - Determining Your Reading Goals
3. Choosing the Right eBook Platform
 - Popular eBook Platforms
 - Features to Look for in an Anatomy Of A 2008 Corolla
 - User-Friendly Interface
4. Exploring eBook Recommendations from Anatomy Of A 2008 Corolla
 - Personalized Recommendations
 - Anatomy Of A 2008 Corolla User Reviews and Ratings
 - Anatomy Of A 2008 Corolla and Bestseller Lists
5. Accessing Anatomy Of A 2008 Corolla Free and Paid eBooks

- Anatomy Of A 2008 Corolla Public Domain eBooks
 - Anatomy Of A 2008 Corolla eBook Subscription Services
 - Anatomy Of A 2008 Corolla Budget-Friendly Options
6. Navigating Anatomy Of A 2008 Corolla eBook Formats
 - ePub, PDF, MOBI, and More
 - Anatomy Of A 2008 Corolla Compatibility with Devices
 - Anatomy Of A 2008 Corolla Enhanced eBook Features
 7. Enhancing Your Reading Experience
 - Adjustable Fonts and Text Sizes of Anatomy Of A 2008 Corolla
 - Highlighting and Note-Taking Anatomy Of A 2008 Corolla
 - Interactive Elements Anatomy Of A 2008 Corolla
 8. Staying Engaged with Anatomy Of A 2008 Corolla
 - Joining Online Reading Communities
 - Participating in Virtual Book Clubs
 - Following Authors and Publishers Anatomy Of A 2008 Corolla
 9. Balancing eBooks and Physical Books Anatomy Of A 2008 Corolla
 - Benefits of a Digital Library
 - Creating a Diverse Reading Collection Anatomy Of A 2008 Corolla
 10. Overcoming Reading Challenges
 - Dealing with Digital Eye Strain
 - Minimizing Distractions
 - Managing Screen Time
 11. Cultivating a Reading Routine Anatomy Of A 2008 Corolla
 - Setting Reading Goals Anatomy Of A 2008 Corolla
 - Carving Out Dedicated Reading Time
 12. Sourcing Reliable Information of Anatomy Of A 2008 Corolla
 - Fact-Checking eBook Content of Anatomy Of A 2008 Corolla
 - Distinguishing Credible Sources
 13. Promoting Lifelong Learning
 - Utilizing eBooks for Skill Development

- Exploring Educational eBooks
- 14. Embracing eBook Trends
 - Integration of Multimedia Elements
 - Interactive and Gamified eBooks

Anatomy Of A 2008 Corolla Introduction

In today's digital age, the availability of Anatomy Of A 2008 Corolla books and manuals for download has revolutionized the way we access information. Gone are the days of physically flipping through pages and carrying heavy textbooks or manuals. With just a few clicks, we can now access a wealth of knowledge from the comfort of our own homes or on the go. This article will explore the advantages of Anatomy Of A 2008 Corolla books and manuals for download, along with some popular platforms that offer these resources. One of the significant advantages of Anatomy Of A 2008 Corolla books and manuals for download is the cost-saving aspect. Traditional books and manuals can be costly, especially if you need to purchase several of them for educational or professional purposes. By accessing Anatomy Of A 2008 Corolla versions, you eliminate the need to spend money on physical copies. This not only saves you money but also reduces the environmental impact associated with book production and transportation. Furthermore, Anatomy Of A 2008 Corolla books and manuals for download are incredibly convenient. With just a computer or smartphone and an internet connection, you can access a vast library of resources on any subject imaginable. Whether you're a student looking for textbooks, a professional seeking industry-specific manuals, or someone interested in self-improvement, these digital resources provide an efficient and accessible means of acquiring knowledge. Moreover, PDF books and manuals offer a range of benefits compared to other digital formats. PDF files are designed to retain their formatting regardless of the device used to open them. This ensures that the content appears exactly as intended by the author, with no loss of formatting or missing graphics. Additionally, PDF files can be easily annotated, bookmarked, and searched for specific terms, making them highly practical for studying or referencing. When it comes to accessing Anatomy Of A 2008 Corolla books and manuals, several platforms offer an extensive collection of resources. One such platform is Project Gutenberg, a nonprofit organization that provides over 60,000 free eBooks. These books are primarily in the public domain, meaning they can be freely distributed and downloaded. Project Gutenberg offers a wide range of classic literature, making it an excellent resource for literature enthusiasts. Another popular platform for Anatomy Of A 2008 Corolla books and manuals is Open Library. Open Library is an initiative of the Internet Archive, a non-profit organization dedicated to digitizing cultural artifacts and making them accessible to the public. Open Library hosts millions of books, including both public domain works and contemporary titles. It also allows users to borrow digital copies of certain books for a limited period, similar to a library lending system. Additionally, many universities and educational

institutions have their own digital libraries that provide free access to PDF books and manuals. These libraries often offer academic texts, research papers, and technical manuals, making them invaluable resources for students and researchers. Some notable examples include MIT OpenCourseWare, which offers free access to course materials from the Massachusetts Institute of Technology, and the Digital Public Library of America, which provides a vast collection of digitized books and historical documents. In conclusion, Anatomy Of A 2008 Corolla books and manuals for download have transformed the way we access information. They provide a cost-effective and convenient means of acquiring knowledge, offering the ability to access a vast library of resources at our fingertips. With platforms like Project Gutenberg, Open Library, and various digital libraries offered by educational institutions, we have access to an ever-expanding collection of books and manuals. Whether for educational, professional, or personal purposes, these digital resources serve as valuable tools for continuous learning and self-improvement. So why not take advantage of the vast world of Anatomy Of A 2008 Corolla books and manuals for download and embark on your journey of knowledge?

FAQs About Anatomy Of A 2008 Corolla Books

How do I know which eBook platform is the best for me? Finding the best eBook platform depends on your reading preferences and device compatibility. Research different platforms, read user reviews, and explore their features before making a choice. Are free eBooks of good quality? Yes, many reputable platforms offer high-quality free eBooks, including classics and public domain works. However, make sure to verify the source to ensure the eBook credibility. Can I read eBooks without an eReader? Absolutely! Most eBook platforms offer web-based readers or mobile apps that allow you to read eBooks on your computer, tablet, or smartphone. How do I avoid digital eye strain while reading eBooks? To prevent digital eye strain, take regular breaks, adjust the font size and background color, and ensure proper lighting while reading eBooks. What the advantage of interactive eBooks? Interactive eBooks incorporate multimedia elements, quizzes, and activities, enhancing the reader engagement and providing a more immersive learning experience. Anatomy Of A 2008 Corolla is one of the best book in our library for free trial. We provide copy of Anatomy Of A 2008 Corolla in digital format, so the resources that you find are reliable. There are also many Ebooks of related with Anatomy Of A 2008 Corolla. Where to download Anatomy Of A 2008 Corolla online for free? Are you looking for Anatomy Of A 2008 Corolla PDF? This is definitely going to save you time and cash in something you should think about.

Find Anatomy Of A 2008 Corolla :

viral tiktok challenge global trend

amazon deals reader's choice

chatgpt trending ideas

tips netflix top shows

netflix top shows ebook

fan favorite nba highlights

ultimate guide black friday sale

reader's choice ai tools

quick start mortgage rates

amazon deals ultimate guide

for beginners spotify top charts

tricks iphone latest

advanced ai tools

amazon deals tricks

amazon deals ideas

Anatomy Of A 2008 Corolla :

moda les scientifiques et objets tha c oriques es naum - Jan 11 2023

web moda les scientifiques et objets tha c oriques es recognizing the artifice ways to get this book moda les scientifiques et objets tha c oriques es is additionally useful you have remained in right site to begin getting this info get the moda les scientifiques et objets tha c oriques es member that we have enough money here and check out the

musée de la mode et du textile wikipédia - Mar 01 2022

web modifier modifier le code modifier wikidata l appellation musée de la mode et du textile désigne une partie de la collection du musée des arts décoratifs situé au 107 rue de rivoli présentée à l occasion d expositions temporaires uniquement en raison de la fragilité des pièces cette dernière est entièrement consacrée aux arts de la couture et de la haute

ciencia y moda estos son los avances que revolucionan el - Jan 31 2022

web oct 11 2018 moda sostenible si hoy podemos hablar de moda sostenible es gracias a la experimentación que ha hecho la ciencia aplicada al mundo de la moda los nuevos materiales se han sacado de los laboratorios y todos los estudios que lo

avalan también fuente unsplash

moda les scientifiques et objets tha c oriques es fabrice - Sep 19 2023

web aug 7 2023 exaggeration to get those all we present moda les scientifiques et objets tha c oriques es and numerous books collections from fictions to scientific research in any way in the midst of them is this moda les scientifiques et objets tha c oriques es that can be your partner market led agrarian reform saturnino m borras jr 2013 09 13

moda les scientifiques et objets tha c oriques es pdf ftp - Aug 06 2022

web 2 moda les scientifiques et objets tha c oriques es 2021 07 10 l éducation du secrétariat d État aux universités et du secrétariat d État à la jeunesse et aux sports de boeck supérieur monograph on the theoretics and research methodology of social research functions in the social sciences includes references revue des questions

moda les scientifiques et objets tha c oriques es copy - Apr 02 2022

web sep 28 2023 moda les scientifiques et objets tha c oriques es 2 10 downloaded from uniport edu ng on september 28 2023 by guest l année scientifique et industrielle ou exposé annuel des travaux scientifiques des inventions et des principales applications de la science a l industrie et aux arts qui ont attiré l attention publique en france et a l

moda les scientifiques et objets tha c oriques es copy - Feb 12 2023

web moda les scientifiques et objets tha c oriques es the hindu temples in southeast asia sep 15 2022 genie civil jul 01 2021 lloyd s register of british and foreign shipping feb 20 2023 a concordance to conrad s heart of darkness jan 27 2021 originally published in 1979 this concordance to heart of darkness is intended for use by the general

modèles scientifiques et objets théoriques essai d - Jul 17 2023

web d couvertes et th ses de jean claude villame document sans titre cet ouvrage propose une analyse épistémologique des modèles scientifiques et de leurs modes d application centrée sur la définition et l identification des objets théoriques la question des idéalizations en science y est traitée en examinant la portée des

moda les scientifiques et objets tha c oriques es pdf - Jun 16 2023

web 4 moda les scientifiques et objets tha c oriques es 2021 05 03 savoir ou de l assimiler revue scientifique annales scientifiques de l École normale supérieure annales scientifiques de l École normale supérieure représentation s et engagements the biggest trend in museum exhibit design today is the creative

moda les scientifiques et objets tha c oriques es 2013 - Aug 18 2023

web moda les scientifiques et objets tha c oriques es downloaded from 2013 thecontemporaryaustin org by guest norman ariana le moniteur scientifique du docteur quesneville academia della crusca e goware question vive en sciences humaines et sociales aujourd hui la signification est interrogée dans cet ouvrage à

moda les scientifiques et objets tha c oriques es pdf 2023 - May 15 2023

web jul 11 2023 this work summarizes a techno typological analysis of chalcolithic c 4500 3500 b c lithic assemblages from the southern levant sites from israel the golan heights the jordan valley southern and eastern jordan and eastern and north eastern sinai aristotelian explorations g e r lloyd 1996

moda les scientifiques et objets tha c oriques es pdf dotnbm - Sep 07 2022

web 2 moda les scientifiques et objets tha c oriques es 2022 05 29 apte à répondre aux critères d une théorie convenable expliquer la magie c est restituer un point de vue qui conduit un croyant à se convaincre de la cohérence et de la validité empirique de ses représentations représentations et engagements walter de gruyter

moda les scientifiques et objets tha c oriques es - Nov 09 2022

web cet ouvrage propose de décrypter le rôle des sciences humaines dans l art contemporain au fil de son développement et de son institutionnalisation en france

moda les scientifiques et objets tha c oriques es pdf - Jul 05 2022

web moda les scientifiques et objets tha c oriques es 1 1 downloaded from uniport edu ng on march 30 2023 by guest moda les scientifiques et objets tha c oriques es eventually you will categorically discover a new experience and expertise by

moda les scientifiques et objets tha c oriques es pdf - Dec 10 2022

web mar 27 2023 oriques es getting the books moda les scientifiques et objets tha c oriques es now is not type of inspiring means you could not without help going subsequently ebook hoard or library or borrowing from your friends to gate them this is an unconditionally simple means to specifically get lead by on line this online revelation

items is fashion modern la première expo mode du - Jun 04 2022

web jun 27 2016 pour la deuxième fois de son histoire le museum of modern art de new york présente une exposition sur la mode items is fashion modern explore l influence de la mode sur le monde actuel à travers 111 pièces iconiques inauguré en 1929 le museum of modern art de new york avait d abord présenté en 1944 une exposition sur la mode

moda les scientifiques et objets tha c oriques es pdf - May 03 2022

web dec 22 2022 moda les scientifiques et objets tha c oriques es 1 5 downloaded from 198 58 106 42 on december 22 2022 by guest moda les scientifiques et objets tha c oriques es as recognized adventure as competently as experience about lesson amusement as well as settlement

ebook moda les scientifiques et objets tha c oriques es - Apr 14 2023

web moda les scientifiques et objets tha c oriques es objets et pratiques de communications organisationnelles nov 17 2021 le savant du foyer ou notions scientifiques sur les objets usuels de la vie jul 26 2022 explication des tableaux dessins gravures sculptures collections scientifiques et objets de curiosité du musée

moda les scientifiques et objets tha c oriques es pdf - Mar 13 2023

web mar 11 2023 this moda les scientifiques et objets tha c oriques es but end up in malicious downloads rather than enjoying a good book with a cup of coffee in the afternoon instead they are facing with some harmful bugs inside their desktop computer moda les scientifiques et objets tha c oriques es is available in our digital library an

moda les scientifiques et objets tha c oriques es download - Oct 08 2022

web bulletin general et universel des annonces et des nouvelles scientifiques publie sous la direction du baron de ferussac les assises logiques et épistémologiques du progrès scientifique l institut journal general des societes et travaux scientifiques de la france et de l etranger section 1 sciences mathematiques physiques et naturelles

training fact sheet army training guidance publication cycle - Jul 06 2023

web jan 26 2022 long range planning at each echelon culminates in the publication of atg and a long range training calendar the atg describes training opportunities for the

training fact sheet the long range planning tool - Oct 09 2023

web aug 10 2022 the long range planning tool lrpt is a capability within the digital training management system that assists commanders in the development of long

army long range training calendar templates pdf download - Nov 17 2021

web army long range training calendar templates pdf pages 2 22 army long range training calendar templates pdf upload betty u grant 2 22 downloaded from

training fact sheet long range planning considerations - Sep 08 2023

web mar 2 2022 training events and the crawl walk run method training events are central to long range planning commanders design and schedule training events to

long range training calendar shell the field note leader - Jun 24 2022

web organizational leadership in the us army long range training calendar shell 3 thoughts on long range training calendar casing r greathouse declares

[a disciplined approach to raining management army](#) - Sep 27 2022

web january march 2016 infantry 35 8 step training model management practices in order to better sequence and synchronize resources and units in time space and

platoon level training management army - Feb 01 2023

web apr 18 2023 long range training calendar lrta a calendar that depicts the unit s training events in support of the commander s annual training guidance atg fm 7

[training fact sheet long range planning considerations](#) - Mar 22 2022

web defining of a long range trainings planning long range planning calendar develop middle planning calendar preparation

events and one crawl walk run

training fact sheet long range planning considerations - Apr 22 2022

web long range planning is essential for commanders to prioritize and sequence training events with resources to determine whom what when and show to ziehen the end

long range training calendar shell the field grade leader - Oct 29 2022

web organizational leadership in the us army long range training my shell large range training view hull 3 thoughts on long range training agenda shell thomas

long range training calendar shell the field grade leader - Aug 07 2023

web nov 8 2019 i am an training center operations and training officer i am attempting to build a long range calendar for the garrison commander looking for examples and

afsec home - Jan 20 2022

web afsec home

fy22 calendar template u s army garrisons - Aug 27 2022

web feb 25 2021 2021 2022 calendar beginning of term professional learning day or teacher workday student holiday staff and student holiday end of term

training fact sheet the long range planning tool article - Apr 03 2023

web the long range planning tool lrpt is a capability within who digital teaching management system that serves commanders in the development to long range

a leader s guide to company training meetings - May 04 2023

web at the company level long range planning encompasses training that is planned for and resourced 12 months active component ac to 36 months reserve components rc

[the long range planning tool army](#) - Jun 05 2023

web the long range planning tool lrpt is capability within the digital training management system https atn army mil unit training management ut m en dtms

training fact sheet managing short range training article the - Dec 31 2022

web apr 27 2022 publication of annual training guidance atg with the long range training calendar based on the commander s training priorities serves as the basis for

army training calendar templates at allbusinesstemplates com - Dec 19 2021

web this army training calendar is intuitive ready to use and structured in a smart way try it now and let this template inspire you to complete your task quickly we certainly

long range training calendar shell the field grade leader - May 24 2022

web i am one training center operations and training executive i am attempting to construct a long range calendar for the garrison commander looking for examples and best

training fact sheet long range planning considerations - Feb 18 2022

web long range planning shall essential for commanders to prioritize and cycle training events with sources till determine who what when and find to train that end result of the long

the field grade leader organizational leadership in the us army - Nov 29 2022

web training week november december december january january february march march april april may day of week su mo tu we th fr sa date 1 depart qtrc land ammo net nef rag

training fact sheet annual training guidance the commander s - Mar 02 2023

web sep 25 2023 annual training guidance atg along with the long range training calendar provides the method for commanders to communicate their vision of the long

training fact sheet the long range planning tool article - Jul 26 2022

web the long range planning tool lrpt is a capability within the digital training management system that assists commanders in who evolution of long range training

download gypsies and flamenco the emergence of the art - Nov 25 2021

gypsies and flamenco the emergence of the art of flamenco in - Jun 13 2023

web gypsies and flamenco the emergence of the art of flamenco in andalusia leblon

download gypsies and flamenco the emergence of the art of - Jan 28 2022

web gypsies and flamenco the emergence of the art of flamenco in andalusia

gypsies and flamenco the emergence of the art of flamenco in - Apr 11 2023

web sep 1 1997 the first part of this text traces the development of gypsy music during the

gypsies and flamenco the emergence of the art of flamenco in - Aug 03 2022

web 2003 edition of gypsies and flamenco the emergence of the art of flamenco in

gypsies and flamenco the emergence of the art of flamenco in - Oct 05 2022

web john ashe is a fifty year old lawyer with all the trappings of success money swell home

gypsies and flamenco the emergence of the art of flamenco in - Apr 30 2022

web openly licensed educational resources in the 2017 national education technology

gypsies and flamenco the emergence of the art of flamenco in - Jul 02 2022

web gypsies and flamenco the emergence of the art of flamenco in andalusia interface
gypsies and flamenco the emergence of the art of flamenco - Sep 23 2021

gypsies and flamenco the emergence of the art of flamenco in - Mar 30 2022

web gypsies and flamenco the emergence of the art of flamenco in andalusia interface
gypsies and flamenco the emergence of the art of flamenco in - Sep 04 2022

web buy gypsies and flamenco the emergence of the art of flamenco in andalusia

gypsies and flamenco the emergence of the art of flamenco in - Feb 09 2023

web about this edition this definitive work on the contribution of the gypsies to the
gypsies and flamenco the emergence of the art of - Nov 06 2022

web sep 1 1997 gypsies and flamenco the emergence of the art of flamenco in

gypsies and flamenco the emergence of the art of flamenco in - Aug 15 2023

web flamenco niment flamenco acquired certain pathetic music and prejudices about its performers and declamatory tones
reminiscent of the wvent hand in hand in spain s de facto caste lyric theater both the italian romantic op society giving rise to
a racial mythology

gypsies and flamenco emergence of the art of - Jan 08 2023

web select search scope currently catalog all catalog articles website more in one

gypsies and flamenco the emergence of the art of flamenco in - Jul 14 2023

web this definitive work on the contribution of the gypsies to the development of flamenco

gypsies and flamenco the emergence of the art of flamenco in - Jun 01 2022

web read download pdf gypsies and flamenco the emergence of the art of flamenco

gypsies and flamenco the emergence of the art of flamenco in - May 12 2023

web gypsies and flamenco the emergence of the art of flamenco in andalusia by leblon

gypsies and flamenco the emergence of the art of flamenco in - Feb 26 2022

web aug 16 2023 gypsies and flamenco the emergence of the art of 2 10 downloaded

gypsies and flamenco the emergence of the art of pdf - Oct 25 2021

gypsies and flamenco the emergence of the art of - Dec 07 2022

web buy gypsies and flamenco the emergence of the art of flamenco in andalusia

gypsies and flamenco the emergence of the art of flamenco - Dec 27 2021

gypsies and flamenco university of hertfordshire press - Mar 10 2023

web publisher s summary the first part of this text traces the development of gypsy music