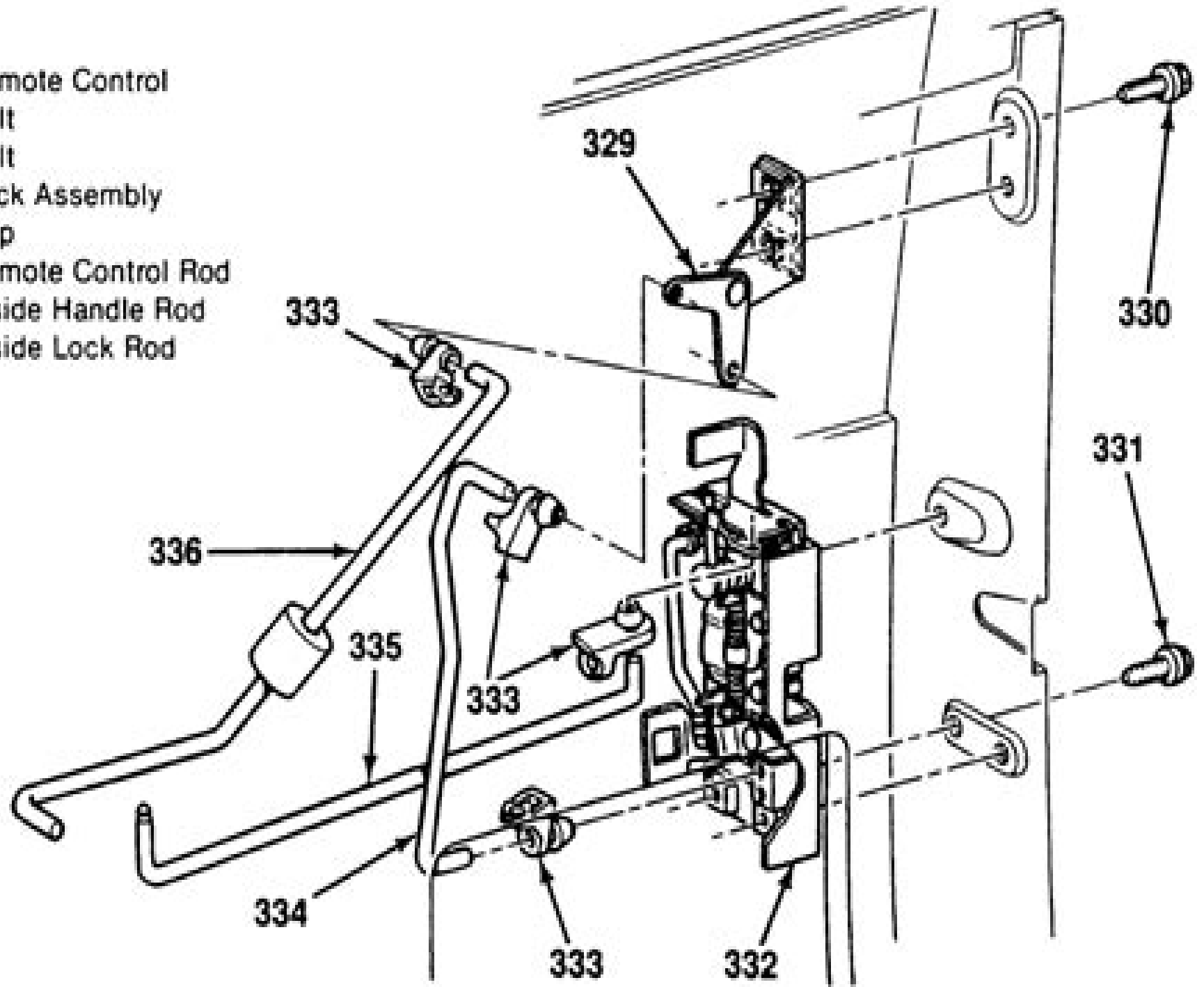


- 329. Remote Control
- 330. Bolt
- 331. Bolt
- 332. Lock Assembly
- 333. Clip
- 334. Remote Control Rod
- 335. Inside Handle Rod
- 336. Inside Lock Rod



98 Corolla Driver Side Lock Diagram

M Tight



98 Corolla Driver Side Lock Diagram:

Embark on a transformative journey with is captivating work, **98 Corolla Driver Side Lock Diagram** . This enlightening ebook, available for download in a convenient PDF format , invites you to explore a world of boundless knowledge. Unleash your intellectual curiosity and discover the power of words as you dive into this riveting creation. Download now and elevate your reading experience to new heights .

<https://legacy.tortoisemedia.com/data/book-search/HomePages/Apex%20English%204%20Semester%202%20Final%20Exams.pdf>

Table of Contents 98 Corolla Driver Side Lock Diagram

1. Understanding the eBook 98 Corolla Driver Side Lock Diagram
 - The Rise of Digital Reading 98 Corolla Driver Side Lock Diagram
 - Advantages of eBooks Over Traditional Books
2. Identifying 98 Corolla Driver Side Lock Diagram
 - Exploring Different Genres
 - Considering Fiction vs. Non-Fiction
 - Determining Your Reading Goals
3. Choosing the Right eBook Platform
 - Popular eBook Platforms
 - Features to Look for in an 98 Corolla Driver Side Lock Diagram
 - User-Friendly Interface
4. Exploring eBook Recommendations from 98 Corolla Driver Side Lock Diagram
 - Personalized Recommendations
 - 98 Corolla Driver Side Lock Diagram User Reviews and Ratings
 - 98 Corolla Driver Side Lock Diagram and Bestseller Lists
5. Accessing 98 Corolla Driver Side Lock Diagram Free and Paid eBooks
 - 98 Corolla Driver Side Lock Diagram Public Domain eBooks
 - 98 Corolla Driver Side Lock Diagram eBook Subscription Services

- 98 Corolla Driver Side Lock Diagram Budget-Friendly Options
- 6. Navigating 98 Corolla Driver Side Lock Diagram eBook Formats
 - ePub, PDF, MOBI, and More
 - 98 Corolla Driver Side Lock Diagram Compatibility with Devices
 - 98 Corolla Driver Side Lock Diagram Enhanced eBook Features
- 7. Enhancing Your Reading Experience
 - Adjustable Fonts and Text Sizes of 98 Corolla Driver Side Lock Diagram
 - Highlighting and Note-Taking 98 Corolla Driver Side Lock Diagram
 - Interactive Elements 98 Corolla Driver Side Lock Diagram
- 8. Staying Engaged with 98 Corolla Driver Side Lock Diagram
 - Joining Online Reading Communities
 - Participating in Virtual Book Clubs
 - Following Authors and Publishers 98 Corolla Driver Side Lock Diagram
- 9. Balancing eBooks and Physical Books 98 Corolla Driver Side Lock Diagram
 - Benefits of a Digital Library
 - Creating a Diverse Reading Collection 98 Corolla Driver Side Lock Diagram
- 10. Overcoming Reading Challenges
 - Dealing with Digital Eye Strain
 - Minimizing Distractions
 - Managing Screen Time
- 11. Cultivating a Reading Routine 98 Corolla Driver Side Lock Diagram
 - Setting Reading Goals 98 Corolla Driver Side Lock Diagram
 - Carving Out Dedicated Reading Time
- 12. Sourcing Reliable Information of 98 Corolla Driver Side Lock Diagram
 - Fact-Checking eBook Content of 98 Corolla Driver Side Lock Diagram
 - Distinguishing Credible Sources
- 13. Promoting Lifelong Learning
 - Utilizing eBooks for Skill Development
 - Exploring Educational eBooks
- 14. Embracing eBook Trends

- Integration of Multimedia Elements
- Interactive and Gamified eBooks

98 Corolla Driver Side Lock Diagram Introduction

Free PDF Books and Manuals for Download: Unlocking Knowledge at Your Fingertips In today's fast-paced digital age, obtaining valuable knowledge has become easier than ever. Thanks to the internet, a vast array of books and manuals are now available for free download in PDF format. Whether you are a student, professional, or simply an avid reader, this treasure trove of downloadable resources offers a wealth of information, conveniently accessible anytime, anywhere. The advent of online libraries and platforms dedicated to sharing knowledge has revolutionized the way we consume information. No longer confined to physical libraries or bookstores, readers can now access an extensive collection of digital books and manuals with just a few clicks. These resources, available in PDF, Microsoft Word, and PowerPoint formats, cater to a wide range of interests, including literature, technology, science, history, and much more. One notable platform where you can explore and download free 98 Corolla Driver Side Lock Diagram PDF books and manuals is the internet's largest free library. Hosted online, this catalog compiles a vast assortment of documents, making it a veritable goldmine of knowledge. With its easy-to-use website interface and customizable PDF generator, this platform offers a user-friendly experience, allowing individuals to effortlessly navigate and access the information they seek. The availability of free PDF books and manuals on this platform demonstrates its commitment to democratizing education and empowering individuals with the tools needed to succeed in their chosen fields. It allows anyone, regardless of their background or financial limitations, to expand their horizons and gain insights from experts in various disciplines. One of the most significant advantages of downloading PDF books and manuals lies in their portability. Unlike physical copies, digital books can be stored and carried on a single device, such as a tablet or smartphone, saving valuable space and weight. This convenience makes it possible for readers to have their entire library at their fingertips, whether they are commuting, traveling, or simply enjoying a lazy afternoon at home. Additionally, digital files are easily searchable, enabling readers to locate specific information within seconds. With a few keystrokes, users can search for keywords, topics, or phrases, making research and finding relevant information a breeze. This efficiency saves time and effort, streamlining the learning process and allowing individuals to focus on extracting the information they need. Furthermore, the availability of free PDF books and manuals fosters a culture of continuous learning. By removing financial barriers, more people can access educational resources and pursue lifelong learning, contributing to personal growth and professional development. This democratization of knowledge promotes intellectual curiosity and empowers individuals to become lifelong learners, promoting progress and innovation in various fields. It is worth noting that while accessing free 98 Corolla Driver Side Lock Diagram PDF books and manuals is convenient and cost-effective, it is vital

to respect copyright laws and intellectual property rights. Platforms offering free downloads often operate within legal boundaries, ensuring that the materials they provide are either in the public domain or authorized for distribution. By adhering to copyright laws, users can enjoy the benefits of free access to knowledge while supporting the authors and publishers who make these resources available. In conclusion, the availability of 98 Corolla Driver Side Lock Diagram free PDF books and manuals for download has revolutionized the way we access and consume knowledge. With just a few clicks, individuals can explore a vast collection of resources across different disciplines, all free of charge. This accessibility empowers individuals to become lifelong learners, contributing to personal growth, professional development, and the advancement of society as a whole. So why not unlock a world of knowledge today? Start exploring the vast sea of free PDF books and manuals waiting to be discovered right at your fingertips.

FAQs About 98 Corolla Driver Side Lock Diagram Books

1. Where can I buy 98 Corolla Driver Side Lock Diagram books? Bookstores: Physical bookstores like Barnes & Noble, Waterstones, and independent local stores. Online Retailers: Amazon, Book Depository, and various online bookstores offer a wide range of books in physical and digital formats.
2. What are the different book formats available? Hardcover: Sturdy and durable, usually more expensive. Paperback: Cheaper, lighter, and more portable than hardcovers. E-books: Digital books available for e-readers like Kindle or software like Apple Books, Kindle, and Google Play Books.
3. How do I choose a 98 Corolla Driver Side Lock Diagram book to read? Genres: Consider the genre you enjoy (fiction, non-fiction, mystery, sci-fi, etc.). Recommendations: Ask friends, join book clubs, or explore online reviews and recommendations. Author: If you like a particular author, you might enjoy more of their work.
4. How do I take care of 98 Corolla Driver Side Lock Diagram books? Storage: Keep them away from direct sunlight and in a dry environment. Handling: Avoid folding pages, use bookmarks, and handle them with clean hands. Cleaning: Gently dust the covers and pages occasionally.
5. Can I borrow books without buying them? Public Libraries: Local libraries offer a wide range of books for borrowing. Book Swaps: Community book exchanges or online platforms where people exchange books.
6. How can I track my reading progress or manage my book collection? Book Tracking Apps: Goodreads, LibraryThing, and Book Catalogue are popular apps for tracking your reading progress and managing book collections. Spreadsheets: You can create your own spreadsheet to track books read, ratings, and other details.

7. What are 98 Corolla Driver Side Lock Diagram audiobooks, and where can I find them? Audiobooks: Audio recordings of books, perfect for listening while commuting or multitasking. Platforms: Audible, LibriVox, and Google Play Books offer a wide selection of audiobooks.
8. How do I support authors or the book industry? Buy Books: Purchase books from authors or independent bookstores. Reviews: Leave reviews on platforms like Goodreads or Amazon. Promotion: Share your favorite books on social media or recommend them to friends.
9. Are there book clubs or reading communities I can join? Local Clubs: Check for local book clubs in libraries or community centers. Online Communities: Platforms like Goodreads have virtual book clubs and discussion groups.
10. Can I read 98 Corolla Driver Side Lock Diagram books for free? Public Domain Books: Many classic books are available for free as they're in the public domain. Free E-books: Some websites offer free e-books legally, like Project Gutenberg or Open Library.

Find 98 Corolla Driver Side Lock Diagram :

~~apex english 4 semester 2 final exams~~

aplia chapter 9 5 application problem

~~apex worksheet answers english ii semester 1~~

~~aplia accounting answer keys~~

~~api standard 603 eighth edition xxxx 2012~~

apex rm 1010w manual

~~apex geometry test answers~~

~~apley 9th edition~~

~~apex learning spanish 2 course answer key~~

apmp foundation study guide

~~apple iphone 3g guide~~

~~apha immunization self study answers~~

~~api 510 study plan mark smith training services~~

~~apex learning math 3 answers~~

apologia pro vita sua

98 Corolla Driver Side Lock Diagram :

crazy about basketball crazy about sports amazon com - Dec 07 2022

web sep 1 2013 this new collection of more than 30 poems by loris lesynski captures the joys thrills and challenges of one of the most popular sports in the schoolyard today crazy about basketball is full of energy and humor and is sure to appeal to anyone who has ever played the sport

crazy about basketball lesynski loris author free download - Aug 03 2022

web crazy about basketball by lesynski loris author publication date 2013 topics basketball juvenile poetry basketball poetry basket ball poe sie pour la jeunesse basketball humorous poetry publisher toronto vancouver new york annick press collection inlibrary printdisabled internetarchivebooks digitizing sponsor

week 2 nfl picks odds 2023 best bets from advanced model - Sep 04 2022

web sep 12 2023 top week 2 nfl picks after simulating every game 10 000 times the model is high on the tampa bay buccaneers 2 5 to cover at home against the chicago bears no team has been worse against the

crazy about basketball crazyaboutbasketball instagram - Jul 02 2022

web 112 followers 1 333 following 146 posts see instagram photos and videos from crazy about basketball crazyaboutbasketball

10 basketball facts you didn t know red bull - Aug 15 2023

web may 12 2020 by kim oswell 4 min readupdated on 05 11 2020 9 00 pm pdt basketball is not an easy sport it takes endurance team spirit and great skills to outscore opponents and win the game there s more

[basket random play on crazygames](#) - Jan 08 2023

web apr 6 2023 basketball basket random is a two player arcade game with random physics hop along and fight for the ball through various basketball courts each dunk takes you to the next level

crazy about basketball by loris lesynski goodreads - Apr 30 2022

web read 5 reviews from the world s largest community for readers a poetic homage to basketball the footsteps pound the high tops squeak the crowd is loud

top 100 nba plays of 2021 youtube - Feb 26 2022

web top 100 nba plays of 2021 youtube 0 00 32 21 top 100 nba plays of 2021 nba 20 8m subscribers try it free subscribe 58k 7 1m views 1 year ago happy new year we reflect back on the

50 interesting facts about basketball the fact file - Jun 13 2023

web jul 24 2022 basketball is not a simple sport it takes great endurance competence and team spirit to outscore other teams and win the game there is a lot more to the game than just players a court a referee and a ball we will talk about 50

interesting facts about basketball 15 facts about basketball players and 26 facts about nba teams

[crazy about basketball crazy about sports hardcover](#) - Feb 09 2023

web crazy about basketball is full of energy and humor and is sure to appeal to anyone who has ever played the sport wonderfully ridiculous artwork and catchy rhythmic poems highlight both the silly and serious side of the sport with emphasis on training tactics and teamwork but most of all on having fun

crazy about basketball annick press - Oct 05 2022

web crazy about basketball by loris lesynski illustrated by gerry rasmussen categories children s nonfiction themes humorous basketball fitness exercise friendship series crazy about interest age 8 10 grade 3 5 reading level common core correlations *craziest basketball stories ever told nbpa top 100 youtube* - Dec 27 2021

web the nbpa top 100 players share the craziest basketball stories from their perspectivessubscribe youtube com user bleacherreport sub confirmation

91 interesting basketball facts factretriever com - Apr 11 2023

web feb 21 2017 rodman was suspended for 11 games and lost 1 million in salary 19 a warm basketball is bouncier than a cold one because the molecules in the warm ball hit its inside surface at a higher speed 14 in the 2010 2011 season the cleveland cavaliers set a league record by losing 26 basketball games in a row

crazy basketball play crazy basketball game on kiz10 - Mar 10 2023

web dec 21 2016 play now crazy basketball online on kiz10 com have fun playing crazy basketball one of the best game on kiz10 com

[get crazy about basketball lithuania travel](#) - Mar 30 2022

web get crazy about basketball still doubting whether basketball really is the second religion in lithuania if so you probably haven t watched the lithuanian national basketball team or a club game in the company of local fans

crazy baskets play on crazygames - Nov 06 2022

web crazy baskets is an arcade basketball game to shoot the balls through the rings successfully features different levels themes and leagues practice and get ranks powerups system release date december 2020 developer crazy baskets was made by armgames platform web browser controls left mouse button to shoot advertisement

basketball games play now for free at crazygames - Jul 14 2023

web sports basketball games get ready for our collection of hand picked online basketball games take to the court and show off your shooting skills and awesome dunks

crazy about basketball crazy about sports hardcover - Jan 28 2022

web crazy about basketball is full of energy and humor and is sure to appeal to anyone who has ever played the sport

wonderfully ridiculous artwork and catchy rhythmic poems highlight both the silly and serious side of the sport with emphasis on training tactics and teamwork but most of all on having fun

basketball stars play on crazygames - May 12 2023

web mar 29 2023 basketball stars is a 2 player basketball game created by madpuffers shoot b ball with the likes of lebron james james harden and stephen curry in basketball stars you can play solo or with a friend as a variety of legendary basketball players basketball stars is the prequel to the popular game basketball legends

crazy about basketball lesynski loris rasmussen gerry - Jun 01 2022

web 1 rating see all formats and editions hardcover 22 95 1 new from 22 95 paperback 12 95 3 used from 15 11 4 new from 11 16 a poetic homage to basketball the footsteps pound the high tops squeak the crowd is loud the floorboards creak but through it all we catch the sound

the lost city of faar pendragon book 2 amazon com - Mar 14 2023

web apr 3 2009 audiobook 0 00 free with your audible trial cloral the second installment in an epic series of adventures fourteen year old bobby pendragon is not like other boys his age

pendragon the lost city of faar d j machale google books - Nov 10 2022

web nov 20 2009 pendragon the lost city of faar d j machale google books fresh from his adventures on denduron bobby pendragon suddenly finds himself in the territory of cloral a vast world that is entirely covered by water cloral is nearing disaster of huge proportions and is on the brink of all out war

the lost city of faar pendragon series abebooks - Jul 06 2022

web mar 7 2000 1st uk p b 13579108642 pocket book science fiction fantasy novels for older child adult alike the pendragon series please see our actual image of the book offered for sale light crease line to front all else fine

pendragon journal of an adventure through time and space - Jul 18 2023

web the merchant of death the lost city of faar the never war the reality bug black water the rivers of zadaa the quillan games the pilgrims of rayne raven rise and the soldiers of halla author d j machale

the lost city of faar pendragon 2 goodreads - Oct 21 2023

web jan 1 2003 the lost city of faar is the second book in the pendragon series by d j machale the people live on immense floating cities called habitats and grow food on the sea floor and in their habitats different habitats do different things such as producing food making products etc

pendragon book two the lost city of faar kids book series - Dec 11 2022

web jan 1 2003 the second installment in an epic series of adventures fourteen year old bobby pendragon is not like other boys his age his uncle press is a traveler and as bobby has learned that means uncle press is responsible through his journeys

for solving interdimensional conflict wherever he encounters it

audiobook pendragon book two the lost city of faar journal of - Apr 03 2022

web reading the journals bobby sends home his friends learn that the desperate citizens of the endangered floating cities are on the brink of war can bobby suburban basketball star and all around nice guy help rid the area of marauders and locate the legendary lost land of faar which may hold the key to cloral s survival

the lost city of faar pendragon series machale d j - May 04 2022

web fourteen year old bobby pendragon is not like other boys his age his uncle press is a traveler and as bobby has learned that means uncle press is responsible through his

the lost city of faar pendragon series 2 paperback - Jan 12 2023

web jan 1 2003 overview cloral the second installment in an epic series of adventures fourteen year old bobby

pendragon boxed set the merchant of death the lost city of faar - Apr 15 2023

web jan 1 2002 bobby pendragon was a seemingly normal fourteen year old boy he had a family a home and pendragon boxed set the merchant of death the lost city of faar the never war the reality bug black water by d j machale goodreads

the lost city of faar 2 pendragon amazon com - Feb 13 2023

web feb 6 2007 the pendragon series is a great children s young adult novel series perfect for children getting into longer books as it lacks mature themes but talks about serious matters and teaches many important lessons

the lost city of faar d j machale google books - Aug 07 2022

web cloral the second installment in an epic series of adventures fourteen year old bobby pendragon is not like other boys his age his uncle press is a traveler and as bobby has learned that means uncle press is responsible through his journeys for solving interdimensional conflict wherever he encounters it his mission is nothing less than to

the lost city of faar book by d j machale simon schuster - Jun 17 2023

web the lost city of faar by d j machale cloral fourteen year old bobby pendragon is not like the other boys his age his uncle press is a traveler and as b the lost city of faar book by d j machale official publisher page simon schuster

lost city of faar the pendragon series d j machale - Jun 05 2022

web lost city of faar the pendragon series d j machale 4 18 avg rating 30 531 ratings by goodreads isbn 10 1501296485isbn 13 9781501296482 publisher brilliance audio 2015 this specific isbn edition is currently not available view all copies of this isbn edition synopsis about this title

the pendragon series the merchant of death the lost city of faar - May 16 2023

web the pendragon series the merchant of death the lost city of faar the never war and the pendragon journal book read 23 reviews from the world s large

[the lost city of faar pendragon series 2 ryerssmuseum](#) - Mar 02 2022

web the lost city of faar is based on the theme of survival and good v s evil giving this book a five star rating you can tell that it is an excellent book this book has a winding plot which makes this book very enjoyable

[pendragon complete collection boxed set the merchant](#) - Sep 08 2022

web nov 15 2016 the lost city of faar this time around bobby and uncle press are going to cloral where things are going to get wetter cloral one of machale s best realized and most creative territories is full of fun details from the mini watermelons to the skimmers to the spectacle of the habitats in which the people of cloral live

[the lost city of faar wikipedia](#) - Sep 20 2023

web characters in the lost city of faar bobby pendragon bobby is a boy from stony brook connecticut he was the best basketball player in his school but saint dane zy roder po nassi saint dane is an evil traveler that wants to destroy halla so he can remake it how press tilton press

the lost city of faar d j machale google books - Oct 09 2022

web feb 6 2007 cloral fourteen year old bobby pendragon is not like the other boys his age his uncle press is a traveler and as bobby has learned that means uncle press is responsible through his journeys for solving interdimensional conflict

the lost city of faar pendragonpedia fandom - Aug 19 2023

web jan 1 2003 the lost city of faar is the second book in the pendragon adventure the book is set on cloral

sinfonias ix xii streichorchester studienpartitur for string - Jul 02 2022

web astrology division charts thithi stars yoga etc by datta mr jaipal singh author feb 12 2012 paperback pdf online a cyclopedia of illustrations of

sinfonias ix xii for string orchestra edition eulenburg 1539 - Dec 07 2022

web abebooks com sinfonias ix xii for string orchestra edition eulenburg 1539 9783795764128 and a great selection of similar new used and collectible books

[sinfonias ix xii streichorchester studienpartitur eulenburg](#) - Jul 14 2023

web sinfonias ix xii streichorchester studienpartitur eulenburg studienpartituren band 1539 haken boris von mendelssohn bartholdy felix isbn 9783795764128

[sinfonias ix xii streichorchester studienpartitur eulenburg](#) - Apr 11 2023

web sinfonias ix xii streichorchester studienpartitur eulenburg studienpartituren book 1539 ebook mendelssohn bartholdy felix von haken boris amazon in kindle store

sinfonias ix xii streichorchester studienpartitur - Sep 23 2021

web sinfonias ix xii felix mendelssohn 2007 im alter zwischen 11 und 14 jahren schrieb mendelssohn über 100 werke für die

verschiedensten musikalischen genres das

[sinfonia in g major t si 8 albinoni tomaso imslp](#) - Apr 30 2022

web navigation etc the other works on this page have been moved to [sinfonia in g major t si 7 4a](#) because the work information for 294509 at d dl and the corresponding rism

[sinfonias ix xii streichorchester studienpartitur eulenburg](#) - May 12 2023

web entdecken sie [sinfonias ix xii streichorchester studienpartitur eulenburg studienpart](#) in der großen auswahl bei ebay kostenlose lieferung für viele artikel

[sinfonias ix xii streichorchester studienpartitur 2022 retreat](#) - Sep 04 2022

web discover the statement [sinfonias ix xii streichorchester studienpartitur](#) that you are looking for it will completely squander the time however below once you visit this web

[sinfonias ix xii streichorchester studienpartitur for string](#) - Jun 01 2022

web 12 sonaten band 1 violine und basso continuo epub 16 trios 2 floten und alt flote violoncello fagott partitur und stimmen edition schott pdf online 20 jazz trios

[sinfonias ix xii streichorchester studienpartitur pdf](#) - Aug 03 2022

web [sinfonias ix xii streichorchester studienpartitur pdf](#) is available in our digital library an online admission to it is set as public so you can download it instantly our digital library

[sinfonias ix xii streichorchester studienpartitur pdf](#) - Oct 05 2022

web [sinfonias ix xii felix mendelssohn 2007](#) im alter zwischen 11 und 14 jahren schrieb mendelssohn über 100 werke für die verschiedensten musikalischen genres das

[sinfonias ix xii streichorchester studienpartitur](#) - Nov 25 2021

web [sinfonias ix xii felix mendelssohn 2007](#) im alter zwischen 11 und 14 jahren schrieb mendelssohn über 100 werke für die verschiedensten musikalischen genres das

[sinfonias ix xii von felix mendelssohn bartholdy stretta music](#) - Mar 10 2023

web diese neue urtextausgabe von boris von haken präsentiert mendelssohns 12 sinfonien in einer zweibändigen studienpartitur mit vorwort revisionsbericht und

[sinfonias ix xii streichorchester studienpartitur](#) - Jun 13 2023

web the [sinfonias ix xii streichorchester studienpartitur](#) link that we present here and check out the link you could purchase guide [sinfonias ix xii streichorchester](#)

[sinfonias ix xii streichorchester studienpartitur beta](#) - Oct 25 2021

web costs its not quite what you dependence currently this [sinfonias ix xii streichorchester studienpartitur](#) as one of the most

in force sellers here will utterly be in the middle of

sinfa at sinfa - Dec 27 2021

web das akademische symphonieorchester sinfonia academica verbindet seine passion fürs musizieren mit dem guten zweck obwohl fast alle mitglieder des orchesters beruflich in

[sinfonias ix xii streichorchester studienpartitur felix](#) - Jan 08 2023

web proclamation sinfonias ix xii streichorchester studienpartitur as well as evaluation them wherever you are now přírůstky hudebnin v československých knihovnách 1983 neue

sinfonia veneziana imslp free sheet music pdf download - Mar 30 2022

web salieri antonio authorship note this is pasticcio published by luigi marescalchi with music from the overtures for salieri s la scuola de gelosi allegro assai and la

sinfonias ix xii streichorchester studienpartitur pdf uniport edu - Nov 06 2022

web apr 14 2023 sinfonias ix xii streichorchester studienpartitur 3 4 downloaded from uniport edu ng on april 14 2023 by guest neue zeitschrift für musik robert schumann

sinfonias ix xii streichorchester studienpartitur pdf copy old - Feb 26 2022

web sinfonias ix xii streichorchester studienpartitur pdf pages 2 6 sinfonias ix xii streichorchester studienpartitur pdf upload arnold x boyle 2 6 downloaded from

sinfonias ix xii streichorchester studienpartitur pdf full pdf - Aug 15 2023

web sinfonias ix xii streichorchester studienpartitur pdf introduction sinfonias ix xii streichorchester studienpartitur pdf full pdf

sinfonias ix xii streichorchester studienpartitur eulenburg - Feb 09 2023

web may 9 2018 sinfonias ix xii streichorchester studienpartitur eulenburg studienpartituren book 1539 english edition ebook mendelssohn bartholdy felix

[sinfonietta sinfonieorchester der münchener universitäten](#) - Jan 28 2022

web aug 6 2023 dezember 2022 das semesterabschlusskonzert des wintersemesters findet am samstag 11 februar 2023 19 uhr im audimax der tu münchen statt programm