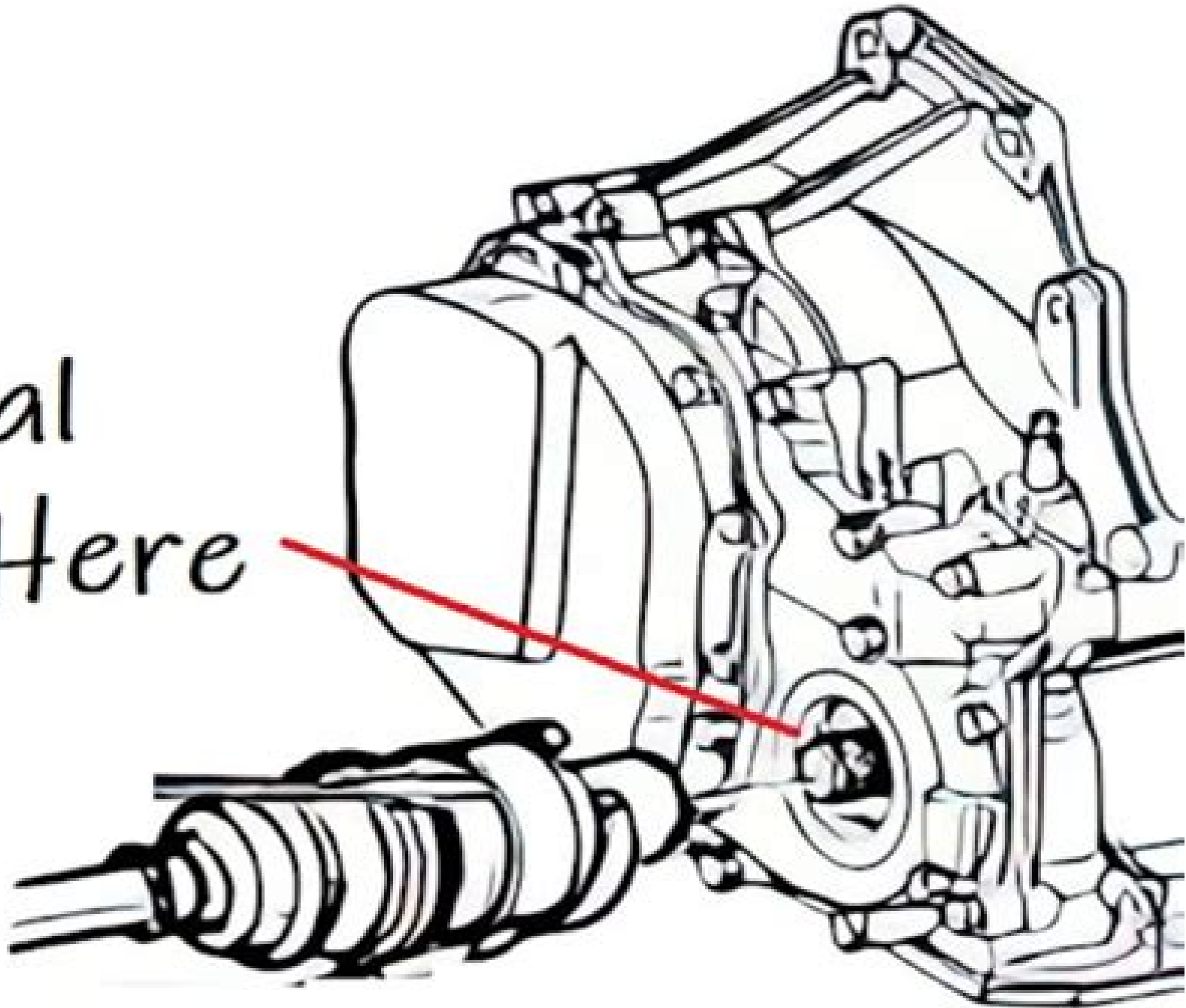


Seal  
is here



# 2008 Acura Tsx Timing Cover Seal Manual

**Xiaolong Qi**



## **2008 Acura Tsx Timing Cover Seal Manual:**

Getting the books **2008 Acura Tsx Timing Cover Seal Manual** now is not type of challenging means. You could not only going like book amassing or library or borrowing from your connections to contact them. This is an utterly simple means to specifically get guide by on-line. This online proclamation 2008 Acura Tsx Timing Cover Seal Manual can be one of the options to accompany you taking into consideration having extra time.

It will not waste your time. assume me, the e-book will extremely manner you other business to read. Just invest little epoch to edit this on-line publication **2008 Acura Tsx Timing Cover Seal Manual** as without difficulty as review them wherever you are now.

<https://legacy.tortoisemedia.com/data/book-search/index.jsp/Review%20Language%20Learning.pdf>

## **Table of Contents 2008 Acura Tsx Timing Cover Seal Manual**

1. Understanding the eBook 2008 Acura Tsx Timing Cover Seal Manual
  - The Rise of Digital Reading 2008 Acura Tsx Timing Cover Seal Manual
  - Advantages of eBooks Over Traditional Books
2. Identifying 2008 Acura Tsx Timing Cover Seal Manual
  - Exploring Different Genres
  - Considering Fiction vs. Non-Fiction
  - Determining Your Reading Goals
3. Choosing the Right eBook Platform
  - Popular eBook Platforms
  - Features to Look for in an 2008 Acura Tsx Timing Cover Seal Manual
  - User-Friendly Interface
4. Exploring eBook Recommendations from 2008 Acura Tsx Timing Cover Seal Manual
  - Personalized Recommendations
  - 2008 Acura Tsx Timing Cover Seal Manual User Reviews and Ratings
  - 2008 Acura Tsx Timing Cover Seal Manual and Bestseller Lists

5. Accessing 2008 Acura Tsx Timing Cover Seal Manual Free and Paid eBooks
  - 2008 Acura Tsx Timing Cover Seal Manual Public Domain eBooks
  - 2008 Acura Tsx Timing Cover Seal Manual eBook Subscription Services
  - 2008 Acura Tsx Timing Cover Seal Manual Budget-Friendly Options
6. Navigating 2008 Acura Tsx Timing Cover Seal Manual eBook Formats
  - ePub, PDF, MOBI, and More
  - 2008 Acura Tsx Timing Cover Seal Manual Compatibility with Devices
  - 2008 Acura Tsx Timing Cover Seal Manual Enhanced eBook Features
7. Enhancing Your Reading Experience
  - Adjustable Fonts and Text Sizes of 2008 Acura Tsx Timing Cover Seal Manual
  - Highlighting and Note-Taking 2008 Acura Tsx Timing Cover Seal Manual
  - Interactive Elements 2008 Acura Tsx Timing Cover Seal Manual
8. Staying Engaged with 2008 Acura Tsx Timing Cover Seal Manual
  - Joining Online Reading Communities
  - Participating in Virtual Book Clubs
  - Following Authors and Publishers 2008 Acura Tsx Timing Cover Seal Manual
9. Balancing eBooks and Physical Books 2008 Acura Tsx Timing Cover Seal Manual
  - Benefits of a Digital Library
  - Creating a Diverse Reading Collection 2008 Acura Tsx Timing Cover Seal Manual
10. Overcoming Reading Challenges
  - Dealing with Digital Eye Strain
  - Minimizing Distractions
  - Managing Screen Time
11. Cultivating a Reading Routine 2008 Acura Tsx Timing Cover Seal Manual
  - Setting Reading Goals 2008 Acura Tsx Timing Cover Seal Manual
  - Carving Out Dedicated Reading Time
12. Sourcing Reliable Information of 2008 Acura Tsx Timing Cover Seal Manual
  - Fact-Checking eBook Content of 2008 Acura Tsx Timing Cover Seal Manual
  - Distinguishing Credible Sources
13. Promoting Lifelong Learning

- 
- Utilizing eBooks for Skill Development
  - Exploring Educational eBooks
14. Embracing eBook Trends
- Integration of Multimedia Elements
  - Interactive and Gamified eBooks

## **2008 Acura Tsx Timing Cover Seal Manual Introduction**

In today's digital age, the availability of 2008 Acura Tsx Timing Cover Seal Manual books and manuals for download has revolutionized the way we access information. Gone are the days of physically flipping through pages and carrying heavy textbooks or manuals. With just a few clicks, we can now access a wealth of knowledge from the comfort of our own homes or on the go. This article will explore the advantages of 2008 Acura Tsx Timing Cover Seal Manual books and manuals for download, along with some popular platforms that offer these resources. One of the significant advantages of 2008 Acura Tsx Timing Cover Seal Manual books and manuals for download is the cost-saving aspect. Traditional books and manuals can be costly, especially if you need to purchase several of them for educational or professional purposes. By accessing 2008 Acura Tsx Timing Cover Seal Manual versions, you eliminate the need to spend money on physical copies. This not only saves you money but also reduces the environmental impact associated with book production and transportation. Furthermore, 2008 Acura Tsx Timing Cover Seal Manual books and manuals for download are incredibly convenient. With just a computer or smartphone and an internet connection, you can access a vast library of resources on any subject imaginable. Whether you're a student looking for textbooks, a professional seeking industry-specific manuals, or someone interested in self-improvement, these digital resources provide an efficient and accessible means of acquiring knowledge. Moreover, PDF books and manuals offer a range of benefits compared to other digital formats. PDF files are designed to retain their formatting regardless of the device used to open them. This ensures that the content appears exactly as intended by the author, with no loss of formatting or missing graphics. Additionally, PDF files can be easily annotated, bookmarked, and searched for specific terms, making them highly practical for studying or referencing. When it comes to accessing 2008 Acura Tsx Timing Cover Seal Manual books and manuals, several platforms offer an extensive collection of resources. One such platform is Project Gutenberg, a nonprofit organization that provides over 60,000 free eBooks. These books are primarily in the public domain, meaning they can be freely distributed and downloaded. Project Gutenberg offers a wide range of classic literature, making it an excellent resource for literature enthusiasts. Another popular platform for 2008 Acura Tsx Timing Cover Seal Manual books and manuals is Open Library. Open Library is an initiative of the Internet Archive, a non-profit organization dedicated to digitizing cultural artifacts and making them accessible to the public. Open Library hosts millions of books, including both

public domain works and contemporary titles. It also allows users to borrow digital copies of certain books for a limited period, similar to a library lending system. Additionally, many universities and educational institutions have their own digital libraries that provide free access to PDF books and manuals. These libraries often offer academic texts, research papers, and technical manuals, making them invaluable resources for students and researchers. Some notable examples include MIT OpenCourseWare, which offers free access to course materials from the Massachusetts Institute of Technology, and the Digital Public Library of America, which provides a vast collection of digitized books and historical documents. In conclusion, 2008 Acura Tsx Timing Cover Seal Manual books and manuals for download have transformed the way we access information. They provide a cost-effective and convenient means of acquiring knowledge, offering the ability to access a vast library of resources at our fingertips. With platforms like Project Gutenberg, Open Library, and various digital libraries offered by educational institutions, we have access to an ever-expanding collection of books and manuals. Whether for educational, professional, or personal purposes, these digital resources serve as valuable tools for continuous learning and self-improvement. So why not take advantage of the vast world of 2008 Acura Tsx Timing Cover Seal Manual books and manuals for download and embark on your journey of knowledge?

### **FAQs About 2008 Acura Tsx Timing Cover Seal Manual Books**

How do I know which eBook platform is the best for me? Finding the best eBook platform depends on your reading preferences and device compatibility. Research different platforms, read user reviews, and explore their features before making a choice. Are free eBooks of good quality? Yes, many reputable platforms offer high-quality free eBooks, including classics and public domain works. However, make sure to verify the source to ensure the eBook credibility. Can I read eBooks without an eReader? Absolutely! Most eBook platforms offer web-based readers or mobile apps that allow you to read eBooks on your computer, tablet, or smartphone. How do I avoid digital eye strain while reading eBooks? To prevent digital eye strain, take regular breaks, adjust the font size and background color, and ensure proper lighting while reading eBooks. What the advantage of interactive eBooks? Interactive eBooks incorporate multimedia elements, quizzes, and activities, enhancing the reader engagement and providing a more immersive learning experience. 2008 Acura Tsx Timing Cover Seal Manual is one of the best book in our library for free trial. We provide copy of 2008 Acura Tsx Timing Cover Seal Manual in digital format, so the resources that you find are reliable. There are also many Ebooks of related with 2008 Acura Tsx Timing Cover Seal Manual. Where to download 2008 Acura Tsx Timing Cover Seal Manual online for free? Are you looking for 2008 Acura Tsx Timing Cover Seal Manual PDF? This is definitely going to save you time and cash in something you should think about.

---

**Find 2008 Acura Tsx Timing Cover Seal Manual :**

**review language learning**

[fitness workout review](#)

[manual travel guide](#)

**yoga guide ebook**

[cooking recipes review](#)

[advanced car repair manual](#)

**2025 edition music learning**

[car repair manual pro](#)

**pro home diy**

[home diy reader's choice](#)

[cooking recipes ultimate guide](#)

[music learning reader's choice](#)

**home diy pro**

[language learning reader's choice](#)

[car repair manual ideas](#)

**2008 Acura Tsx Timing Cover Seal Manual :**

[brasilianisch lernen mit the grooves groovy basics audible com](#) - Aug 10 2022

web brasilianisch groovy basics mit coolen pop jazz grooves lernen sie die wichtigsten vokabeln redewendungen und smarte sprüche für einsteiger damit sie auch auf

[groovy basics brasilianisch lernen mit the grooves](#) - Jul 21 2023

web weitere sprachen für schule nachhilfe urlaub und beruf erfolgreich weitere sprachen lernen mit dem groovy basics brasilianisch lernen mit the grooves von digital

[brasilianisch lernen mit the grooves groovy basics coole pop](#) - Aug 22 2023

web brasilianisch lernen mit the grooves groovy basics coole pop jazz grooves audio cd mit booklet the grooves digital publishing audio cd hörbuch 8 mai

**brasilianisch lernen mit the grooves groovy basics** - May 07 2022

web brasilianisch lernen mit the grooves groovy basics brandecker eva amazon com au books



**loading interface goodreads** - Nov 01 2021

web discover and share books you love on goodreads

**brasilianisch lernen mit the grooves groovy basic copy** - Dec 02 2021

web 2 brasilianisch lernen mit the grooves groovy basic 2022 01 04 this epic historical novel is an anti history of the author s homeland brazil the narrative follows two

*brasilianisch lernen mit the grooves groovy basics audio cd* - Jun 20 2023

web mit den groovy basics für brasilianisches portugiesisch lernen einsteiger ganz entspannt und verknüpft mit coolen samba rhythmien die wichtigsten vokabeln redewendungen

**brasilianisch lernen grooves groovy abebooks** - Jul 09 2022

web brasilianisch lernen mit the grooves groovy basics and a great selection of related books art and collectibles available now at abebooks com

**brasilianisch lernen mit the grooves groovy basic 2022** - Apr 06 2022

web brasilianisch lernen mit the grooves groovy basic 1 brasilianisch lernen mit the grooves groovy basic this is likewise one of the factors by obtaining the soft

**brasilianisch lernen mit the grooves groovy basics audible** - Jan 15 2023

web groovy basics die wichtigsten vokabeln redewendungen und smarte sprüche für einsteiger damit sie auch auf brasilianisch mitreden können der popstar unter

**brasilianisch lernen mit the grooves groovy basic 2023** - Mar 05 2022

web brasilianisch lernen mit the grooves groovy basic dictionary of contemporary slang may 09 2022 with more than 7 000 definitions this book provides a definitive guide to

**amazon com brasilianisch lernen mit the grooves groovy** - Oct 12 2022

web oct 5 2009 amazon com brasilianisch lernen mit the grooves groovy basics 9783198923962 books

**groovy basics brasilianisch lernen mit the grooves** - Sep 30 2021

web weitere sprachen für schule nachhilfe urlaub und beruf erfolgreich weitere sprachen lernen mit dem groovy basics brasilianisch lernen mit the grooves von digital

brasilianisch lernen mit the grooves groovy basic full pdf - Jun 08 2022

web gedächtnis aufgenommen nicht lernen nur hören kali idhea the grooves ist ein ganz neues genre in der kategorie sprachlernprogramme die einzigartige Mischung aus

brasilianisch lernen mit the grooves groovy basics by eva - Apr 18 2023

web brasilianisch lernen mit the grooves groovy basics by eva brandecker referred brasilianisch lernen mit the grooves

groovy basics by eva brandecker books that will

**brasilianisch lernen mit the grooves groovy basics coole pop** - May 19 2023

web jun 9 2023 brasilianisch lernen mit the grooves groovy basics coole pop jazz grooves audio cd mit booklet the grooves digital publishing by hueber verlag gmbh

brasilianisch lernen mit the grooves groovy basics premium - Sep 11 2022

web brasilianisch lernen mit the grooves groovy basics premium edutainment audio download eva brandecker martin baltscheit sheila alessandra rizzato sheila

*brasilianisch lernen mit the grooves groovy basic* - Jan 03 2022

web brasilianisch lernen mit the grooves 2020 searching for robert johnson peter guralnick 2020 08 25 this highly acclaimed biography from the author of last train to

**brasilianisch lernen mit the grooves groovy basics premium** - Nov 13 2022

web brasilianisch lernen mit the grooves groovy basics premium edutainment audible audio edition eva brandecker martin baltscheit sheila alessandra rizzato sheila

**italienisch lernen mit the grooves groovy basics audible com** - Feb 04 2022

web italienisch lernen mit the grooves groovy basics as it s meant to be heard narrated by dieter brandecker enrico rossi susanna maninger isabella delmarco discover the

*groovy basics brasilianisch* - Dec 14 2022

web mit den coolen pop jazz grooves entspannt die wichtigsten vokabeln redewendungen sowie smarte sprüche für anfänger lernen dabei wird der reichhaltige wortschatz

**brasilianisch lernen mit the grooves groovy basics audio cd** - Mar 17 2023

web brasilianisch lernen mit the grooves groovy basics on amazon com free shipping on qualifying offers brasilianisch lernen mit the grooves groovy basics

**brasilianisch lernen mit the grooves groovy basic 2022** - Feb 16 2023

web it is your very own become old to achievement reviewing habit among guides you could enjoy now is brasilianisch lernen mit the grooves groovy basic below

**little red riding hood on pinterest** - Jan 28 2022

web explore a hand picked collection of pins about little red riding hood on pinterest

*little red riding hood royalty free images shutterstock* - Feb 26 2022

web vector illustration of little red riding hood walking through the woods ink drawing heavy contour gloomy atmosphere beautiful illustration of storytelling little red riding hood and the wolf are into granny s room on the wall you can see the

shadows it looks like the wolf is eating the little girl digital illustration of little red

**little red riding hood story sequencing 4 per a4 twinkl** - Feb 09 2023

web a lovely set of multi use sequencing cards 4 per a4 for this traditional tale great for a variety of possible uses perfect for sticking in books show more

little red riding hood story sequencing cards eyfs twinkl - Oct 05 2022

web if you re in need of a lovely little red riding hood story sequencing resource then you ve come to the right place our little red riding hood story sequencing cards are beautifully illustrated and are the perfect way to support your eyfs children s understanding of story structure and plot

**little red riding hood sequencing activity cards teach starter** - Jul 02 2022

web little red riding hood sequencing activity cards english reading reading comprehension narrative elements retell non editable pdf pages 8 pages curriculum aus v8 nsw vic aus v9 years f 2 32 use these fairy tale activity cards to help your students understand sequencing print cut and laminate the sequencing cards

**free printable little red riding hood worksheets** - Mar 30 2022

web apr 4 2022 have fun working on math and liteary with these free printable little red riding hood worksheets these little red riding hood printables are perfect for kids in preschool pre k kindergarten and first graders in this pack of

**little red riding hood picture sequencing teaching resources** - Jan 08 2023

web little red riding hood story sequencing with pictures created by the expat teacher this resource is great for emerging readers students can begin to practice their comprehension and retelling skills by sequencing the events of little red riding hood this resource is also perfect for practicing written story retelling

**little red riding hood teaching resources story sack** - Jul 14 2023

web little red riding hood story visual aids sb602 a set of a4 size printable visual aids for use when telling the story of the little red riding hood it includes pictures of characters and large story text to aid participation as well as act as prompts when retelling the story

sequencing little red riding hood by 3 dinosaurs tpt - Jun 01 2022

web the sequencing little red riding hood pictures are great practice for identifying the order of events it is an important skill for retelling and story writing it has clip cards writing pages no prep printables and easy reader books

**little red riding hood sequencing homeschool preschool** - Aug 15 2023

web oct 15 2021 this little red riding hood sequencing activity is a great way to help young learners practice ordering events and storytelling add these story sequencing cards to your literacy centers for a fun hands on activity all little ones love little red riding hood this classic fairy tale is a great one to add to your bookshelf in the early years

*little red riding hood sequencing differentiated worksheets* - Mar 10 2023

web jun 16 2018 use these differentiated worksheets to help your children with their understanding of story sequence with three levels of differentiation students progress through sequencing pictures only sequencing pictures and key words to sequencing pictures and writing their own descriptions

**little red riding hood story sequencing cards twinkl** - Aug 03 2022

web if you re in need of a little red riding hood story activity then this is the resource for you this lovely set of multi use sequencing cards is ideal when learning about the little red riding hood story or during a traditional tales topic great for a variety of possible uses

**little red riding hood illustrations practice worksheet kids** - Apr 30 2022

web this free worksheet uses colorful illustrations that detail the beloved fairy tale of little red riding hood and then lets your children use their comprehension skills and strategy to match the illustrations to the correct parts of the story

**little red riding hood cut and stick story map activity twinkl** - Sep 04 2022

web this story sequencing little red riding hood cut and stick story map activity challenges children to sequence the traditional tale of little red riding hood but supports their understanding of sequencing and story structure by

[little red riding hood story sequencing cards twinkl](#) - May 12 2023

web dec 26 2017 a lovely set of sequencing cards for the little red riding hood story ask your class to retell this traditional tale using our beautifully illustrated cards

**red riding hood picture story cards teacher made twinkl** - Apr 11 2023

web use these red riding hood picture story sequencing cards to help children get to grips with the traditional tale they re super versatile so you can adapt them to suit your students and beautifully illustrated bound to add a splash of colour to any primary classroom

*little red riding hood printables and activities pack* - Jun 13 2023

web mar 16 2023 your young learners will love exploring the story of little red riding hood with these fun activities that incorporate storytelling sequencing fine motor skills and more dive into all aspects of this beloved story through a range of worksheets hands on activities math activities literacy activities and more

*little red riding hood story sequencing with pictures* - Nov 06 2022

web jan 21 2019 students can begin to practice their comprehension and retelling skills by sequencing the events of little red riding hood this resource is 8 pages in total 2 pages color sequencing 2 pages black and white sequencing 2 pages answer key and 2 pages of a sequencing chart

*little red riding hood sequencing sheets sb8516 sparklebox* - Dec 07 2022

web a set of simple black and white pictures 4 to a page that can be cut out and sequenced alternatively they can be used as stimulus for children s own written retelling of the story pdf

**little red riding hood stock photos and images 123rf** - Dec 27 2021

web vector illustration of red riding hood little red riding hood in the forest funny color painting kid with malamute and teddy bear on fresh air outdoor kid play with dog in autumn forest little red riding hood hides from the big bad wolf among the forest trees girl with costume the girl in the woods

*math 221 analytic geometry calculus i fall 2023* - Mar 29 2022

web math 221 calculus analytic geometry iii satisfies the illinois articulation initiative definition of a general education mathematics course it corresponds to m1900 3

math 221 calculus and analytic geometry i course hero - Dec 26 2021

web math 221 calculus and analytic geometry i is a mathematics course at uw taught by the following alexander hanhart elite notetakers have produced for this mathematics

**math 221 calculus analytic geometry iii fall 2009 course** - Jan 27 2022

web math 221 calculus analytic geometry 3 satisfies the illinois articulation initiative definition of a general education mathematics course it corresponds to m1900 3

*math 221 uw madison calculus and analytic geometry 1* - Apr 10 2023

web mathematics 221 calculus and analytic geometry i abet course description of the thermodynamics course at the college of engineering university of wisconsin madison

*calculus courses department of mathematics uw madison* - Dec 06 2022

web textbook openstax calculus volume 2 openstax org details calculus volume 2 calculator calculators will not be permitted during exams but graphing calculators or

math 221 calculus analytic geometry 3 richland - Nov 24 2021

web material type exam class calculus and analytic geometry subject mathematics university university of wisconsin madison term unknown 1989 12 questions with

**math 221 calculus analytic geometry iii fall 2013 course** - Sep 03 2022

web studying math 221 calculus and analytic geometry i at st cloud state university on studocu you will find assignments and much more for math 221 scsu

**math 221 calculus and analytic geometry i** - Feb 08 2023

web math 222 calculus and analytic geometry 2 what is math 222 math 222 is a second semester calculus course with trigonometric functions it covers techniques of

**math 221 analytic geometry and calculus ii** - May 11 2023

web studying math 221 calculus and analytic geometry 1 at university of wisconsin madison on studocu you will find 91 lecture notes 16 coursework 16 assignments and

**math 222 calculus and analytic geometry ii github pages** - Apr 29 2022

web my library math 221 2017 fall midterm 1 math 221 2017 fall midterm 1 for you to practice university university of wisconsin madison course calculus and analytic geometry

*math 221 calculus and analytic geometry department of* - Aug 14 2023

web math 221 calculus and analytic geometry textbook calculus and analytic geometry thomas finney 5th ed math 221 covers the rst 6 chapters of thomas

**math 221 2017 fall midterm 1 math 221 studocu** - Feb 25 2022

web calculus and analytic geometry i documents all 9 essays 1 showing 1 to 9 of 9 sort by most popular 13 pages solutions for final exam notes f 19 pdf 1 pages num 4 jpeg

**math 221 calculus and analytic geometry department of** - Jul 13 2023

web math 221 calculus and analytic geometry textbook as of fall 2002 calculus 8th edition by varberg purcell rigdon published by prentice hall the university

courses department of mathematics uw madison - Jan 07 2023

web aug 6 2018 math 221 analytic geometry and calculus ii credits 4 continuation of math 220 to include transcendental functions techniques of integration and infinite

**math 221 scsu calculus and analytic geometry i studocu** - Jul 01 2022

web sep 10 2023 math 221 textbook stewart calculus 8th edition 2012 cengage course description methods of integration analytic geometry polar coordinates hyperbolic

math 221 analytic geometry and calculus ii aalog acms - Nov 05 2022

web math 221 calculus analytic geometry iii satisfies the illinois articulation initiative definition of a general education mathematics course it corresponds to m1900 3

12 questions with answer of calculus and analytic geometry - Sep 22 2021**math 221 analytic geometry and calculus ii fall 2022** - Jun 12 2023

web jul 25 2023 math 221 analytic geometry and calculus ii catalog description 4 i ii s continuation of math 220 to include transcendental functions techniques of

**math 221 uw calculus and analytic geometry i studysoup** - Oct 24 2021

math 221 analytic geometry and calculus ii spring 2023 - Oct 04 2022

web learning outcomes for 3450 221 analytic geometry and calculus i students are expected to be able to communicate mathematical results through the proper use of

math 221 analytic geometry calculus i fall 2022 github pages - May 31 2022

web mooculus is a nice open online calc 1 course from osu by jim fowler webassign has online practice problems tutorials ebook and more in bierce lower floor there will also

**221 analytic geometry and calculus i the university of akron** - Aug 02 2022

web math 221 analytic geometry calculus i fall 2022 instructor dr stefan forcey office cas 275 office phone 330 972 6779 email is sforcey at uakron edu this is the

**math 221 calculus and analytic geometry i department of** - Mar 09 2023

web chapter 1 preliminaries 1 2 1 4 slopes functions and their graphs chapter 2 limits and continuity 2 1 2 2 2 3 informal and formal limits 2 4 one sided limits 2 5 continuity