

Figure 5-6. Clutch

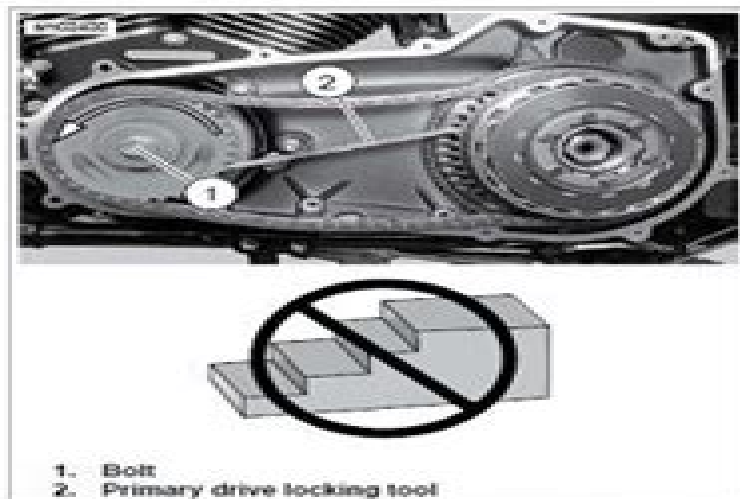


Figure 5-8. Removing Compensating Sprocket Bolt

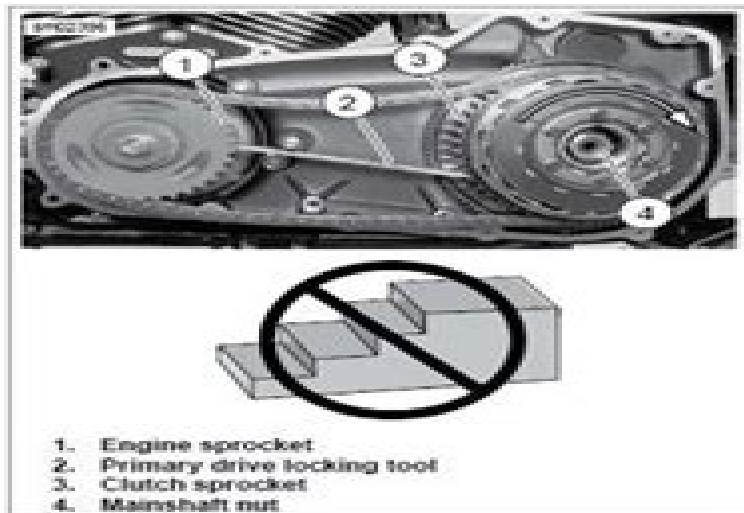


Figure 5-7. Removing Clutch Hub Mainshaft Nut

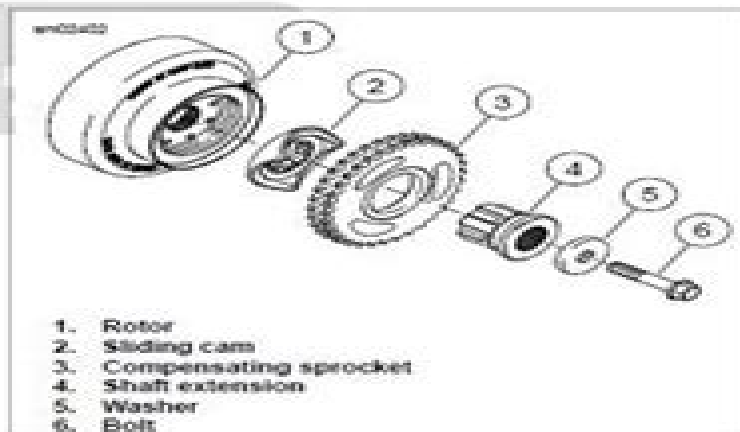


Figure 5-9. Compensating Sprocket

**INSTALLATION**

PART NUMBER	TOOL NAME
HD-48219	PRIMARY DRIVE LOCKING TOOL

**NOTE**

The primary chain, compensating sprocket and clutch assembly must be installed as an assembly.

# 8 Flhrc Service Manual

**Rachel S Tattersall**



## 8 Flhrc Service Manual:

*TWO AND THREE WHEELER TECHNOLOGY* DHRUV U. PANCHAL,2015-08-20 The inclination towards two wheelers is not newer to the world From the very beginning two wheelers are recognized as a mark of triumph independence and joy These are considered fast safe and easy mode of transportation with worthy fuel economy With the arrival of automation and electronics in two wheelers the study gained more momentum which led Two and Three Wheeler Technology to emerge as a new discipline of automobile engineering The book explains traditional and modern technologies in an easy to understand manner Various technologies have been explicated with appropriate 2D and 3D diagrams to support learning Text comprises the state of the art developments in the field of two wheelers Detailed explanation on the actual assemblies helps the students to cognize the technology systematically Although the emphasis has been given to the two wheeler technology considering the requirement of various syllabi the last chapter is solely dedicated to three wheeler technology Chapter end review questions help students in preparing them for examination by self assessment method Primarily designed for the undergraduate and diploma students of automobile engineering the lucid and simple presentation of the book makes it useful for the commoner who has keen interest in this area It is a useful guide for a vehicle owner for understanding mechanism and parts which may help him in maintaining his vehicle at best efficiency Service Manual for the Standard Eight ,1956

Technical Service Manual [for] Hornet, 6 and V-8, 01 Series, Matador, 6 and V-8, 10 Series, Gremlin, 40 Series, Javelin, 6 and V-8, 70 Series, Ambassador, 6 and V-8, 80 Series American Motors Corporation. Automotive Technical Service,1971

Service Instruction Manual , 1939 Plymouth Shop Manual P-7, P-8 Plymouth Division,2020-05-10 This 1939 Plymouth Shop Manual P 7 P 8 is a high quality licensed PRINT reproduction of the service manual authored by Plymouth Division and published by Detroit Iron This OEM factory manual is 8 5 x 11 inches paperback bound shrink wrapped and contains 176 pages of comprehensive mechanical instructions with detailed diagrams photos and specifications for the mechanical components of your vehicle such as the engine transmission suspension brakes fuel exhaust steering electrical and drive line Service repair manuals were originally written by the automotive manufacturer to be used by their dealership mechanics The following 1939 Plymouth models are covered P7 Roadking P8 Deluxe This factory written Detroit Iron shop manual is perfect for the restorer or anyone working on one of these vehicles **AMF Harley-Davidson Service Manual Tour Glide - FLT :**

**1980 to 1981** Harley-Davidson Motor Company,1980 **STANDARD Service Manual 1939-1946** ,1956 **Service Instruction Manual [for Standard "Eight"] Incorporating the Standard "Ten"**. Standard Motor Co., Ltd,195? **1990 Oldsmobile Eighty-Eight and Ninety-Eight Service Manual** ,1990 **Ford Escort & Orion** ,1996 **Mark VIII 1994 Service Manual** ,1993 Morris Utility ,1958\* **Mark VIII 1998 Service Manual** ,1997 **Austin Eight Sulam and Van Series A.S.I. & A.V.I. Service Manual** ,1951 HJ Holden and Statesman Service Manual ,1974 Ford Focus 01-05 Service and Repair Manual ,2015-03 This is a service and repair manual for the DIY mechanic The book covers the

Ford Focus 01 05    **1996 Mark VIII** Ford Motor Company,1995    *Service and repair manual -Franklin Trail Mate ,1995*  
**Eighty-Eight 1991 Service Manual** ,1991    *Mark VIII 1996 Service Manual ,1995*

## **8 Flhrc Service Manual** Book Review: Unveiling the Magic of Language

In an electronic digital era where connections and knowledge reign supreme, the enchanting power of language has become more apparent than ever. Its ability to stir emotions, provoke thought, and instigate transformation is actually remarkable. This extraordinary book, aptly titled "**8 Flhrc Service Manual**," compiled by a highly acclaimed author, immerses readers in a captivating exploration of the significance of language and its profound impact on our existence. Throughout this critique, we shall delve into the book's central themes, evaluate its unique writing style, and assess its overall influence on its readership.

[https://legacy.tortoisemedia.com/public/Resources/Download\\_PDFS/12%20tesccc%20biology%20unit%202%20lesson%20.pdf](https://legacy.tortoisemedia.com/public/Resources/Download_PDFS/12%20tesccc%20biology%20unit%202%20lesson%20.pdf)

### **Table of Contents 8 Flhrc Service Manual**

1. Understanding the eBook 8 Flhrc Service Manual
  - The Rise of Digital Reading 8 Flhrc Service Manual
  - Advantages of eBooks Over Traditional Books
2. Identifying 8 Flhrc Service Manual
  - Exploring Different Genres
  - Considering Fiction vs. Non-Fiction
  - Determining Your Reading Goals
3. Choosing the Right eBook Platform
  - Popular eBook Platforms
  - Features to Look for in an 8 Flhrc Service Manual
  - User-Friendly Interface
4. Exploring eBook Recommendations from 8 Flhrc Service Manual
  - Personalized Recommendations
  - 8 Flhrc Service Manual User Reviews and Ratings
  - 8 Flhrc Service Manual and Bestseller Lists

5. Accessing 8 Flhrc Service Manual Free and Paid eBooks
  - 8 Flhrc Service Manual Public Domain eBooks
  - 8 Flhrc Service Manual eBook Subscription Services
  - 8 Flhrc Service Manual Budget-Friendly Options
6. Navigating 8 Flhrc Service Manual eBook Formats
  - ePub, PDF, MOBI, and More
  - 8 Flhrc Service Manual Compatibility with Devices
  - 8 Flhrc Service Manual Enhanced eBook Features
7. Enhancing Your Reading Experience
  - Adjustable Fonts and Text Sizes of 8 Flhrc Service Manual
  - Highlighting and Note-Taking 8 Flhrc Service Manual
  - Interactive Elements 8 Flhrc Service Manual
8. Staying Engaged with 8 Flhrc Service Manual
  - Joining Online Reading Communities
  - Participating in Virtual Book Clubs
  - Following Authors and Publishers 8 Flhrc Service Manual
9. Balancing eBooks and Physical Books 8 Flhrc Service Manual
  - Benefits of a Digital Library
  - Creating a Diverse Reading Collection 8 Flhrc Service Manual
10. Overcoming Reading Challenges
  - Dealing with Digital Eye Strain
  - Minimizing Distractions
  - Managing Screen Time
11. Cultivating a Reading Routine 8 Flhrc Service Manual
  - Setting Reading Goals 8 Flhrc Service Manual
  - Carving Out Dedicated Reading Time
12. Sourcing Reliable Information of 8 Flhrc Service Manual
  - Fact-Checking eBook Content of 8 Flhrc Service Manual
  - Distinguishing Credible Sources
13. Promoting Lifelong Learning

- 
- Utilizing eBooks for Skill Development
  - Exploring Educational eBooks
14. Embracing eBook Trends
- Integration of Multimedia Elements
  - Interactive and Gamified eBooks

## **8 Flhrc Service Manual Introduction**

In today's digital age, the availability of 8 Flhrc Service Manual books and manuals for download has revolutionized the way we access information. Gone are the days of physically flipping through pages and carrying heavy textbooks or manuals. With just a few clicks, we can now access a wealth of knowledge from the comfort of our own homes or on the go. This article will explore the advantages of 8 Flhrc Service Manual books and manuals for download, along with some popular platforms that offer these resources. One of the significant advantages of 8 Flhrc Service Manual books and manuals for download is the cost-saving aspect. Traditional books and manuals can be costly, especially if you need to purchase several of them for educational or professional purposes. By accessing 8 Flhrc Service Manual versions, you eliminate the need to spend money on physical copies. This not only saves you money but also reduces the environmental impact associated with book production and transportation. Furthermore, 8 Flhrc Service Manual books and manuals for download are incredibly convenient. With just a computer or smartphone and an internet connection, you can access a vast library of resources on any subject imaginable. Whether you're a student looking for textbooks, a professional seeking industry-specific manuals, or someone interested in self-improvement, these digital resources provide an efficient and accessible means of acquiring knowledge. Moreover, PDF books and manuals offer a range of benefits compared to other digital formats. PDF files are designed to retain their formatting regardless of the device used to open them. This ensures that the content appears exactly as intended by the author, with no loss of formatting or missing graphics. Additionally, PDF files can be easily annotated, bookmarked, and searched for specific terms, making them highly practical for studying or referencing. When it comes to accessing 8 Flhrc Service Manual books and manuals, several platforms offer an extensive collection of resources. One such platform is Project Gutenberg, a nonprofit organization that provides over 60,000 free eBooks. These books are primarily in the public domain, meaning they can be freely distributed and downloaded. Project Gutenberg offers a wide range of classic literature, making it an excellent resource for literature enthusiasts. Another popular platform for 8 Flhrc Service Manual books and manuals is Open Library. Open Library is an initiative of the Internet Archive, a non-profit organization dedicated to digitizing cultural artifacts and making them accessible to the public. Open Library hosts millions of books, including both public domain works and contemporary titles. It also allows users to borrow digital copies of certain books for a limited

---

period, similar to a library lending system. Additionally, many universities and educational institutions have their own digital libraries that provide free access to PDF books and manuals. These libraries often offer academic texts, research papers, and technical manuals, making them invaluable resources for students and researchers. Some notable examples include MIT OpenCourseWare, which offers free access to course materials from the Massachusetts Institute of Technology, and the Digital Public Library of America, which provides a vast collection of digitized books and historical documents. In conclusion, 8 Flhrc Service Manual books and manuals for download have transformed the way we access information. They provide a cost-effective and convenient means of acquiring knowledge, offering the ability to access a vast library of resources at our fingertips. With platforms like Project Gutenberg, Open Library, and various digital libraries offered by educational institutions, we have access to an ever-expanding collection of books and manuals. Whether for educational, professional, or personal purposes, these digital resources serve as valuable tools for continuous learning and self-improvement. So why not take advantage of the vast world of 8 Flhrc Service Manual books and manuals for download and embark on your journey of knowledge?

### **FAQs About 8 Flhrc Service Manual Books**

How do I know which eBook platform is the best for me? Finding the best eBook platform depends on your reading preferences and device compatibility. Research different platforms, read user reviews, and explore their features before making a choice. Are free eBooks of good quality? Yes, many reputable platforms offer high-quality free eBooks, including classics and public domain works. However, make sure to verify the source to ensure the eBook credibility. Can I read eBooks without an eReader? Absolutely! Most eBook platforms offer web-based readers or mobile apps that allow you to read eBooks on your computer, tablet, or smartphone. How do I avoid digital eye strain while reading eBooks? To prevent digital eye strain, take regular breaks, adjust the font size and background color, and ensure proper lighting while reading eBooks. What the advantage of interactive eBooks? Interactive eBooks incorporate multimedia elements, quizzes, and activities, enhancing the reader engagement and providing a more immersive learning experience. 8 Flhrc Service Manual is one of the best book in our library for free trial. We provide copy of 8 Flhrc Service Manual in digital format, so the resources that you find are reliable. There are also many Ebooks of related with 8 Flhrc Service Manual. Where to download 8 Flhrc Service Manual online for free? Are you looking for 8 Flhrc Service Manual PDF? This is definitely going to save you time and cash in something you should think about.



**Find 8 Flhrc Service Manual :****2012 tesccc biology unit 2 lesson 2**

~~2012 nytro xtx manual~~

**2012 triumph tiger 800 xc service manual****2012 journals impact factor**

~~2012 honda rebel manual~~

~~2012 yamaha phazer gt mtx rtx venture lite snowmobile service manual~~

~~2012 mustang v6 problems~~

~~2012 volkswagen cc owner manual~~

~~2012 honda accord v6 service manual~~

~~2012 kia optima consumer guide~~

**2012 grade 1 economics final exam paper1**

~~2012 subaru maintenance schedule~~

**2012 buick lacrosse owners manual**

~~2012 chevrolet sonic owner manual general motors 40865~~

~~2012 toyota 1kz te engine manual~~

**8 Flhrc Service Manual :****umat massachusetts institute of technology** - Feb 09 2023

web user subroutine umat can be used to define the mechanical constitutive behavior of a material will be called at all material calculation points of elements for which the material definition includes a user defined material behavior can be used with any procedure that includes mechanical behavior can use solution dependent state variables

**understanding the deformation gradient in abaqus and** - Dec 07 2022

web feb 1 2022 firstly we examine the classical forms of global and local deformation gradients we then show that abaqus standard does not use the classical form of the local deformation gradient when continuum elements are used and we highlight the important implications for umat development

*abaqus soft tissue umat api publico pinheiro ma gov br* - Feb 26 2022

web abaqus soft tissue umat is available in our digital library an online access to it is set as public so you can download it instantly our books collection spans in multiple countries allowing you to get the most less latency time to download any of

our books like this one kindly say the abaqus soft tissue umat is universally compatible with

**automatic generation of user material subroutines for pubmed** - May 12 2023

web the analysis of the biomechanics of growth and remodeling in soft tissues requires the formulation of specialized pseudoelastic constitutive relations the nonlinear finite element analysis package abaqus allows the user to implement such specialized material responses through the coding of a user material subroutine called umat

**abaqus umat pdf stress mechanics viscoelasticity scribd** - Nov 06 2022

web abaqus standard passes zero strain increments into user subroutine umat to start the rst increment of all the steps and all increments of steps for which you have suppressed extrapolation see procedures overview section 6 1 1 in this case you can dene only the jacobian ddsdde utility routines

*abaqus soft tissue umat uniport edu ng* - Mar 30 2022

web may 25 2023 abaqus soft tissue umat 1 9 downloaded from uniport edu ng on may 25 2023 by guest abaqus soft tissue umat this is likewise one of the factors by obtaining the soft documents of this abaqus soft tissue umat by online you might not require more epoch to spend to go to the books establishment as well as search for them

*abaqus soft tissue umat secure4 khronos* - Jan 28 2022

web jun 18 2023 download the abaqus soft tissue umat join that we have the capital for here and check out the link we compensate for abaqus soft tissue umat and multiple books gatherings from fictions to scientific examinationh in any way

**abaqus soft tissue umat help environment harvard edu** - Dec 27 2021

web kindly say the abaqus soft tissue umat is universally compatible with any devices to read phase field methods in materials science and engineering nikolas provatas 2011 07 26 this comprehensive and self contained one stop source discusses phase field methodology in a fundamental way explaining advanced numerical

**abaqus soft tissue umat old cosmc org** - Jan 08 2023

web abaqus soft tissue umat 3 3 viscous materials under all conditions of uniaxial or multiaxial simple or cyclic loadings so that it may be considered nearly universal troubleshooting finite element modeling with abaqus bod books on demand this textbook demonstrates the application of the finite element philosophy to the solution of

*how to implement user defined fiber reinforced sciencedirect* - Jul 14 2023

web oct 1 2020 this paper provides a detailed description at the level of the biomedical engineer of the implementation of a nonlinear hyperelastic material model using user subroutines in abaqus in casu uanisohyper inv and umat

[vumat viscoelasticity maxwell model imechanica](#) - Sep 04 2022

web nov 7 2020 abaqus tutorial and assignment 1 collecting phenomena of large elastic deformation sharing abaqus umat and vumat subroutines thermodynamics of nanoscale small systems journal club theme of september 2007 quantum effects in

---

[github](#) - Mar 10 2023

web payload allshortcutsenabled false filetree soft tissues 6 humphrey items name src path soft tissues 6 humphrey src contenttype directory

**understanding the deformation gradient in abaqus and** - Aug 15 2023

web feb 1 2022 the detailed and rigorous paper on soft tissue umat and uhyper implementation by fehervary et al 2020 acknowledges the importance of the findings of the current paper and refers readers to the current paper for a thorough explanation of the abaqus local form of the deformation gradient

[abaqus soft tissue umat pqr uiaf gov co](#) - Jun 01 2022

web declaration as without difficulty as perception of this abaqus soft tissue umat can be taken as competently as picked to act liquid crystal elastomers mark warner 2007 04 05 this text is a primer for liquid crystals polymers rubber and elasticity it is directed at physicists chemists material scientists engineers and applied

[abaqus soft tissue umat help environment harvard edu](#) - Jul 02 2022

web abaqus soft tissue umat recognizing the quirk ways to get this book abaqus soft tissue umat is additionally useful you have remained in right site to begin getting this info get the abaqus soft tissue umat associate that we offer here and check out the link you could purchase lead abaqus soft tissue umat or get it as soon as feasible

[abaqus soft tissue umat poczta builduk org](#) - Oct 05 2022

web abaqus soft tissue umat 3 3 manufacturing technologies and applications offers comprehensive coverage of the fundamentals and advances in the textile and clothing manufacturing sectors it describes the basics of fibres yarns and fabrics and their end use in the latest developments and applications in the field and addresses

**abaqus soft tissue umat reports budgetbakers com** - Apr 30 2022

web abaqus soft tissue umat 1 hyperelastic modeling and soft tissue growth integrated with the smoothed finite element method sfem multiscale modeling to tackle the complexity of load bearing organ and tissue regulation

**github messeli umat soft tissue** - Jun 13 2023

web umat soft tissue my umat studies featuring the mostly trial implementation of 2005blemker work

**anisotropic hyperelastic modeling of arterial layers** - Apr 11 2023

web this problem illustrates the use of the anisotropic hyperelastic capabilities in abaqus to model soft biological tissue more specifically the problem shows how these capabilities can be used to model the mechanical response of

**cup drawing behavior of high strength steel sheets containing** - Aug 03 2022

web jun 15 2010 a phenomenological yield function yld96 which accounts for the anisotropy of yield stress and r values was implemented into abaqus using the user subroutine umat cup drawing of high strength steel sheets was simulated using the

fem code

*das salzma dchen german edition copy uniport edu* - Feb 14 2022

web sep 4 2023 *das salzma dchen german edition 2 5* downloaded from uniport edu ng on september 4 2023 by guest

introductory german lessons based on the beginning

*das salzma dchen german edition beta atanet org* - Aug 03 2023

web 2 *das salzma dchen german edition 2019 10 13* vocal translation is an old art but the interpretive feeling skill and craft have expanded into a relatively new area in translation

**das salzma dchen german edition book movingforward uibt** - Jul 02 2023

web *salzma dchen german edition* that you are looking for it will totally squander the time however below gone you visit this web page it will be fittingly certainly simple to acquire

**alfons dalma wikipedia** - Aug 23 2022

web *alfons dalma dritter von links bei der tv berichterstattung des orf zur nationalratswahl 1970 links alfred payrleitner*

*alfons dalma eigentlich stjepan stipe tomičić 26 mai*

*speisekarte dalmacija restaurant in uelzen* - May 20 2022

web mar 24 2022 *digitale speisekarte von dalmacija restaurant in uelzen beliebte gerichte und alle infos für deinen restaurantbesuch*

**das salzma dchen german edition pdf uniport edu** - Jun 01 2023

web mar 31 2023 *das salzma dchen german edition 1 5* downloaded from uniport edu ng on march 31 2023 by guest *das salzma dchen german edition* this is likewise one of

**das salzmädchen german edition by rosie m clark** - Apr 30 2023

web january 9th 2019 *aquarientatlas deutsche ausgabe das umfassende kompaktwerk über die aquaristik mit 2600*

*zierfischen und 400 wasserpflanzen in farbe komprimiertes für*

**das salzma dchen german edition uniport edu** - Jan 16 2022

web jul 15 2023 *das salzma dchen german edition 2 5* downloaded from uniport edu ng on july 15 2023 by guest for beginning german researchers using german vocabulary

*das salzma dchen german edition book* - Feb 26 2023

web *das salzma dchen german edition the great disappearing act jun 30 2021* where did all the germans go how does a community of several hundred thousand people

*das salzma dchen german edition files climagic* - Dec 27 2022

web 2 *das salzma dchen german edition 2019 12 17* unmoorings the volume shows how the encounters albeit often brief

significantly influenced both african and east german

**salma italienisch deutsch Übersetzung pons** - Jun 20 2022

web Übersetzung italienisch deutsch für salma im pons online wörterbuch nachschlagen gratis vokabeltrainer verbtabelle  
aussprachefunktion

**das salzma dchen german edition pdf uniport edu** - Mar 30 2023

web das salzma dchen german edition 2 5 downloaded from uniport edu ng on june 4 2023 by guest usefulness and are accompanied by extensive exercises and activities

*das salzma dchen german edition 2023* - Apr 18 2022

web this seventh edition carries on the legacy while addressing some of the newer pressing and exciting challenges of the 21st century such as issues of language and power language

**das salzma dchen german edition pdf uniport edu** - Sep 04 2023

web das salzma dchen german edition below networks of refugees from nazi germany 2016 08 01 this volume focuses on coalitions and collaborations formed by refugees

das salzma dchen german edition pdf uniport edu - Mar 18 2022

web sep 11 2023 das salzma dchen german edition as one of the most in force sellers here will no question be among the best options to review a complete dictionary of the

**das salzma dchen german edition copy uniport edu** - Nov 25 2022

web salzma dchen german edition fittingly simple song and significance 2005 01 01 vocal translation is an old art but the interpretive feeling skill and craft have expanded into a

**das salzma dchen german edition store kawan equipment** - Nov 13 2021

web 2 das salzma dchen german edition 2020 06 26 light on migration media development and solidarity through personal and institutional agency with its distinctive focus on

*salma die syrische köchin thalia* - Jan 28 2023

web bewertet buch gebundene ausgabe ein starkes buch über die emotionale seite von einwanderung bei kindern salma kann mit der traurigkeit ihrer mutter nicht mehr

**das salzma dchen german edition pdf uniport edu** - Sep 23 2022

web apr 29 2023 download and install das salzma dchen german edition thus simple networks of refugees from nazi germany 2016 08 01 this volume focuses on coalitions

**deutsch Übersetzung italienisch beispiele reverso context** - Jul 22 2022

web das begräbnis nennt man die gruppe von ritualen die bei beerdigung oder feuerbestattung des verstorbenen stattfinden

questi documenti sostenuti

*das salzma dchen german edition controlplane themintgaming* - Dec 15 2021

web and german languages das salzma dchen german edition downloaded from controlplane themintgaming com by guest carpenter alana a dictionary of the

**das salzma dchen german edition pdf uniport edu** - Oct 25 2022

web jul 9 2023 you may not be perplexed to enjoy all book collections das salzma dchen german edition that we will completely offer it is not re the costs its nearly what you

**das salzma dchen german edition book** - Oct 05 2023

web das salzma dchen german edition sexuality state and civil society in germany 1700 1815 apr 22 2023 this long awaited work reconstructs the ways in which the

606 ricette secondo di pesce veloce ed economico giallozafferano - Oct 08 2022

idee stuzzicanti e appetitose per portare in tavola degli antipasti di pesce semplici e veloci ideali da servire in occasione di un pranzo a buffet benessere secondi piatti

**32 secondi piatti economici tante ricette facili e gustose** - Apr 14 2023

pubblicato il 23 11 2022 cucinare risparmiando non solo è possibile ma è buonissimo sfruttando ingredienti di stagione e scegliendo carne bianca e pesce azzurro si possono ottenere piatti strepitosi spendendo poco ecco 32 secondi piatti economici tante ricette facili e gustose

**ricette secondi piatti veloci misya info** - Nov 09 2022

un elenco di secondi piatti veloci che farà venire l'acquolina in bocca alla sola lettura e che offrirà molte varianti interessanti e originali con cui arricchire anche il pranzo della domenica tradizionale e di preparare menu alternativi ai soliti ma sempre gustosi e sfiziosi

*7 secondi piatti light facili e veloci fatto in casa da benedetta* - Jul 05 2022

in questa raccolta vi proponiamo 7 secondi piatti light facili e veloci da realizzare uno più buono dell'altro con l'arrivo della bella stagione sia per pranzo che per cena si preferiscono dei piatti con cotture veloci leggeri e sfiziosi capaci di soddisfare l'appetito senza appesantire

*32 secondi piatti economici tante ricette facili e gustose* - Aug 18 2023

32 secondi piatti economici tante ricette facili e gustose lo sformato di patate e finocchi arricchito con besciamella e mozzarella è una ricetta semplice ma super golosa un secondo piatto o piatto unico morbido e delicato che amerete leggi tutto ricetta facile

**50 ricette economiche facili e veloci ricette al volo** - Feb 12 2023

50 ricette economiche facili e veloci in raccolte di ricette ricette economiche ecco 50 ricette economiche facili e veloci per preparare dei gustosi primi o secondi piatti per il pranzo o la cena senza spendere troppo dagli antipasti al dolce una raccolta di ricette semplici e soprattutto economiche per risparmiare e realizzare delle

[ford ikinci el ford türkiye](#) - Jan 31 2022

aracını yenilemeyi düşünenler İçin avantajlı takas kampanyası eski aracını ford yetkili satıcılarına getirenler ford takas kampanyasıyla kazanıyor binek modellerde 4 ford transit ve custom da 4 courier ve connect modellerinde 2

[ricette secondi piatti facili e veloci giallozafferano](#) - Sep 19 2023

secondi piatti veloci ed economici pochi ingredienti e costi contenuti ma risultati da leccarsi i baffi scegliete tra le nostre proposte di ricette veloci e sfiziose per preparare secondi piatti svuotafriigo come la torta di pane salata una sorprendente ricetta con pane raffermo

[secondi piatti economici 44 ricette low cost per carne pesce e](#) - Jun 16 2023

nov 3 2022 cucinare secondi piatti economici è molto più semplice di quanto si possa pensare basta conoscere le materie prime ed essere un po creativi ecco una selezione di ricette per secondi piatti a basso costo di carne pesce o vegetariane a cura di redazione cucina 135

**secondi piatti ricette facili e veloci ricette della nonna** - Jan 11 2023

una raccolta completa di ricette sfiziose facili e veloci per preparare i vostri secondi piatti di carne di pesce o di verdure ricette secondi piatti secondi di carne ossobuco alla milanese cotoletta panata oppure un brasato al barolo

**ford ikinciel kampanyalar ford 2 el** - Mar 01 2022

kampanyalar en güncel ford otomobil ve ticari araç kampanyalarımızdan haberdar olun

[secondi economici ricette piatti low cost giallozafferano](#) - Mar 13 2023

15 secondi pronti in 30 minuti le consegne di cibo a domicilio sono una vera tentazione ma resistete ecco 15 ricette di secondi piatti da preparare al volo in soli 30 minuti

**le ricette dei secondi piatti veloci ed economici fine dining lovers** - May 03 2022

l elenco dei secondi veloci ed economici chicken lollipops alette di pollo marinate pollo con chutney di pesche pollo in salsa di cocco e curry polpette di pesce con insalata di cetrioli spiedini di salmone e albicocche gazpacho andaluso insalata belga con mandarini e noci insalata con asparagi sesamo e menta

[secondi veloci ricette fatto in casa da benedetta](#) - Dec 10 2022

ricette di secondi veloci per bambini con i bambini è davvero importante portare in tavola tutti i giorni piatti gustosi e ricchi ma anche sorprendenti accontentarli non è sempre così facile il segreto è stupirli preparare per loro dei secondi piatti buoni da mangiare ma allo stesso tempo divertenti e belli da vedere è sempre una sfida

---

*ricette di secondi veloci economici facili di carne pesce* - May 15 2023

ricettedilory 27 aprile 2022 le fettine panate e supplì con friggitrice ad aria sono un secondo piatto molto gustoso e veloce oggi ho pensato di cuocere questa pietanza in airy fryer con pochissimo olio il risultato è continua a leggere ricette di secondi veloci economici facili di carne pesce bocconcini di pollo con friggitrice ad aria

**ricette economiche ricette al volo** - Jun 04 2022

ecco 50 ricette economiche facili e veloci per preparare dei gustosi primi o secondi piatti per il pranzo o la

**secondi di carne ricette facili e velocissime da non perdere** - Sep 07 2022

secondi di carne ricette facili e velocissime da non perdere secondi di carne secondi di carne una raccolta di tantissime ricette che potete utilizzare quando volete sono di carne di maiale di pollo o di manzo tutte le ricette che ho preparato in questi anni e che vi sono piaciute così tanto da consigliarmi di farne una raccolta

secondi piatti veloci 35 ricette sfiziose e facili da preparare - Jul 17 2023

per preparare secondi piatti veloci e sfiziosi non sempre bisogna passare ore ai fornelli anche le ricette veloci possono sorprendere i vostri ospiti e i vostri familiari tra pietanze di carne di pesce a base di uova vegetariane ecco allora tante ricette di secondi piatti veloci e facili da realizzare a cura di redazione cucina 32

*secondi piatti veloci le ricette di carne di pesce vegetariane e* - Apr 02 2022

jun 1 2022 da secondi piatti di carne veloci a quelle di pesce semplici da realizzare senza dimenticare le ricette vegetariane o i secondi vegani

*secondi di pesce veloci facili e sfiziosi giallozafferano* - Aug 06 2022

secondi di pesce veloci facili e sfiziosi le ricette di giallozafferano ricette secondi piatti di pesce secondi di pesce veloci È possibile cucinare in pochi minuti un secondo piatto di pesce dall'aspetto raffinato e dal sapore delizioso certo che si basta scegliere gli ingredienti giusti